



US00D648003S

(12) **United States Design Patent**
Gao et al.

(10) **Patent No.:** **US D648,003 S**

(45) **Date of Patent:** **** Nov. 1, 2011**

(54) **SPOUT**

D581,493 S * 11/2008 Gilbert D23/255
D636,853 S * 4/2011 Yu D23/238
D640,353 S * 6/2011 Gao et al. D23/255

(75) Inventors: **Sissi Gao**, Xiamen (CN); **Tony Zhang**,
Xiamen (CN)

* cited by examiner

(73) Assignee: **Newfrey LLC**, Newark, DE (US)

Primary Examiner — Robert Delehanty

(**) Term: **14 Years**

(74) *Attorney, Agent, or Firm* — Richard J. Veltman; John D. DelPonti

(21) Appl. No.: **29/392,596**

(57) **CLAIM**

The ornamental design for a spout, as shown and described.

(22) Filed: **May 24, 2011**

DESCRIPTION

(51) **LOC (9) Cl.** **02-01**

(52) **U.S. Cl.** **D23/255**

(58) **Field of Classification Search** D23/255,
D23/257, 238-243; 4/678; 137/801

See application file for complete search history.

FIG. 1 is a perspective view of a spout showing a new design;
FIG. 2 is a front view thereof;
FIG. 3 is a back view thereof;
FIG. 4 is a top view thereof;
FIG. 5 is a bottom view thereof; and,
FIG. 6 is a left side view thereof, the right side view being a
mirror image.

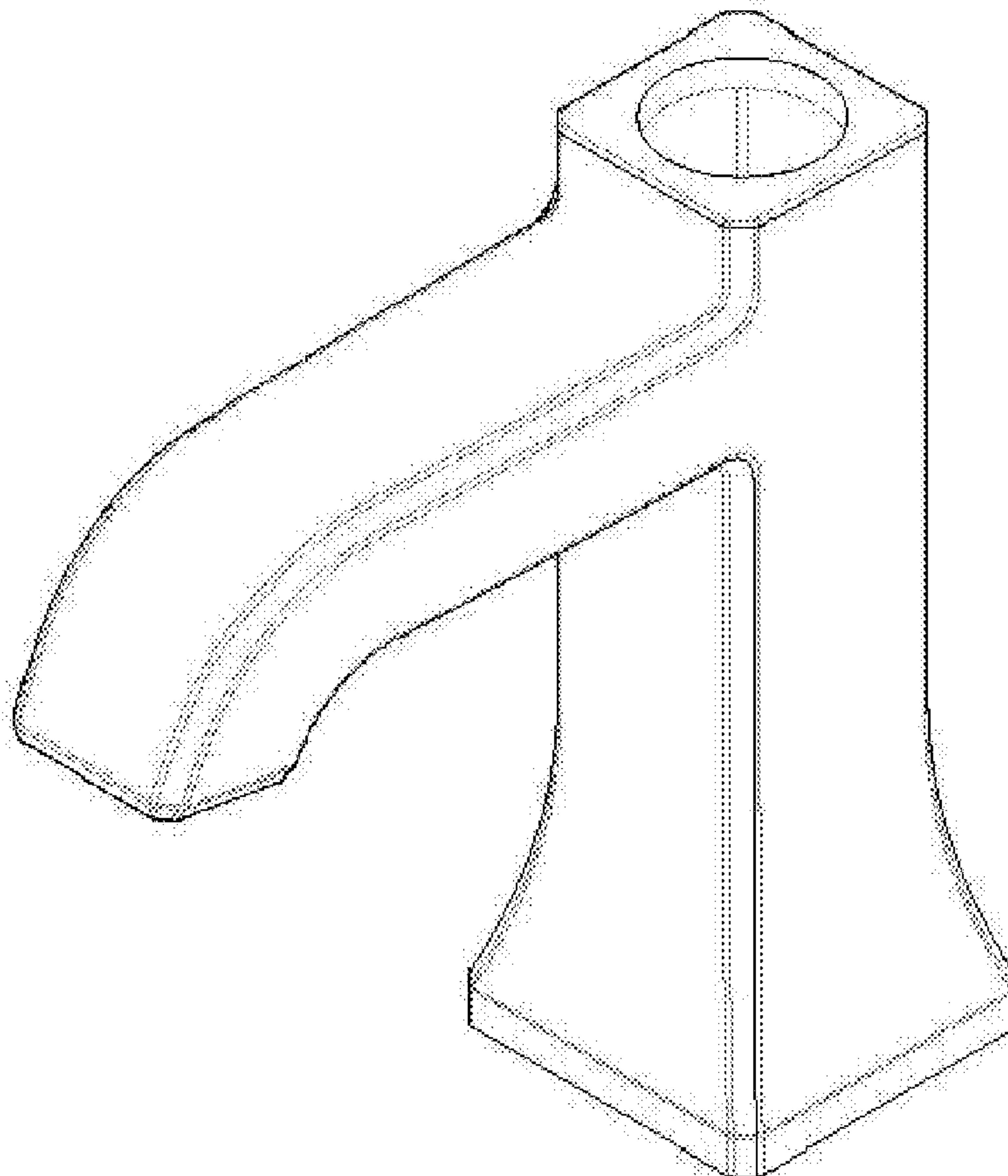
The broken lines in the Figures are for illustrative purposes
only and form no part of the claimed design.

(56) **References Cited**

U.S. PATENT DOCUMENTS

D488,539 S * 4/2004 McKeone D23/255
D518,153 S * 3/2006 Theberge D23/255
D567,907 S * 4/2008 Kohler et al. D23/238

1 Claim, 4 Drawing Sheets



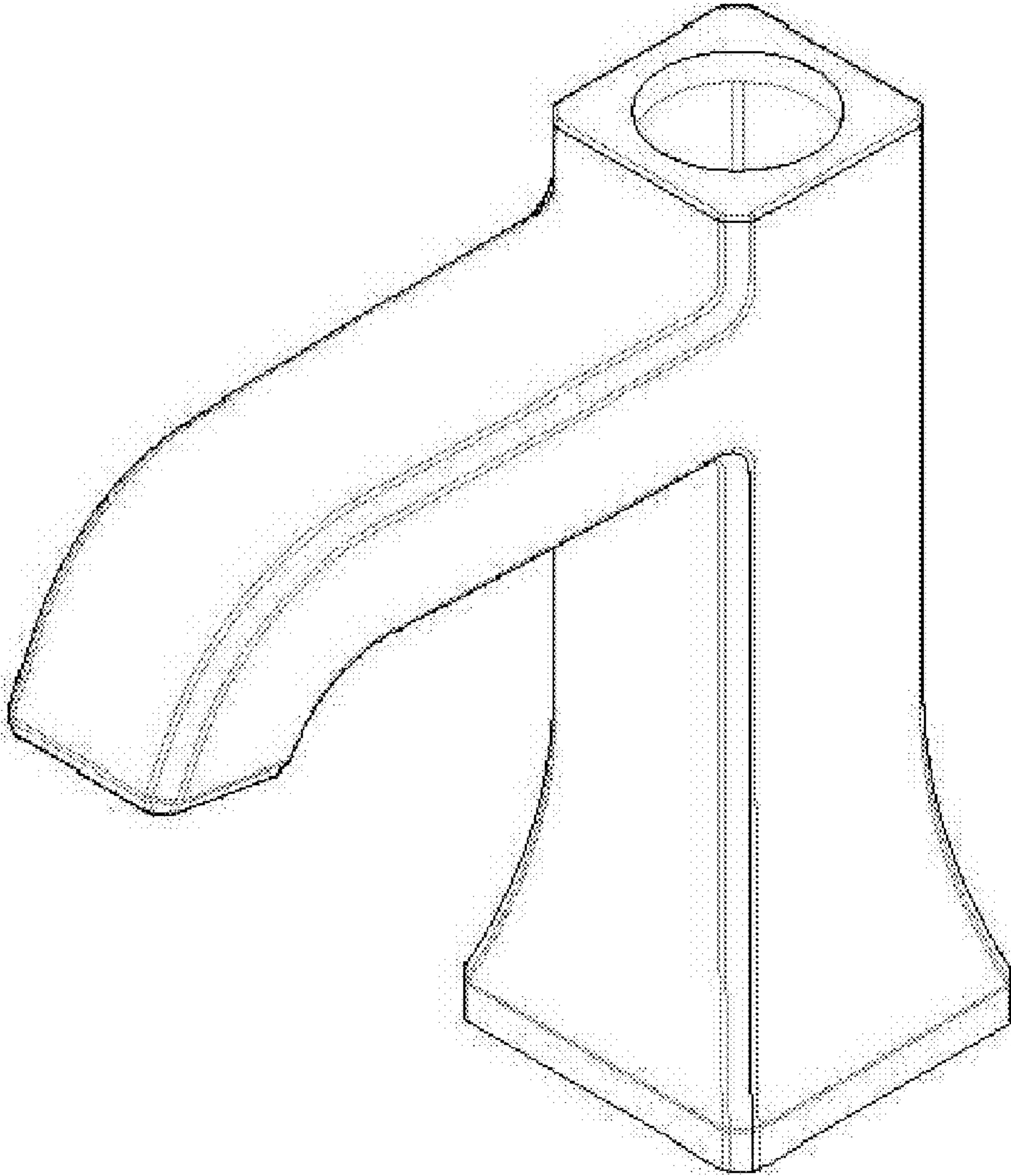


FIG. 1

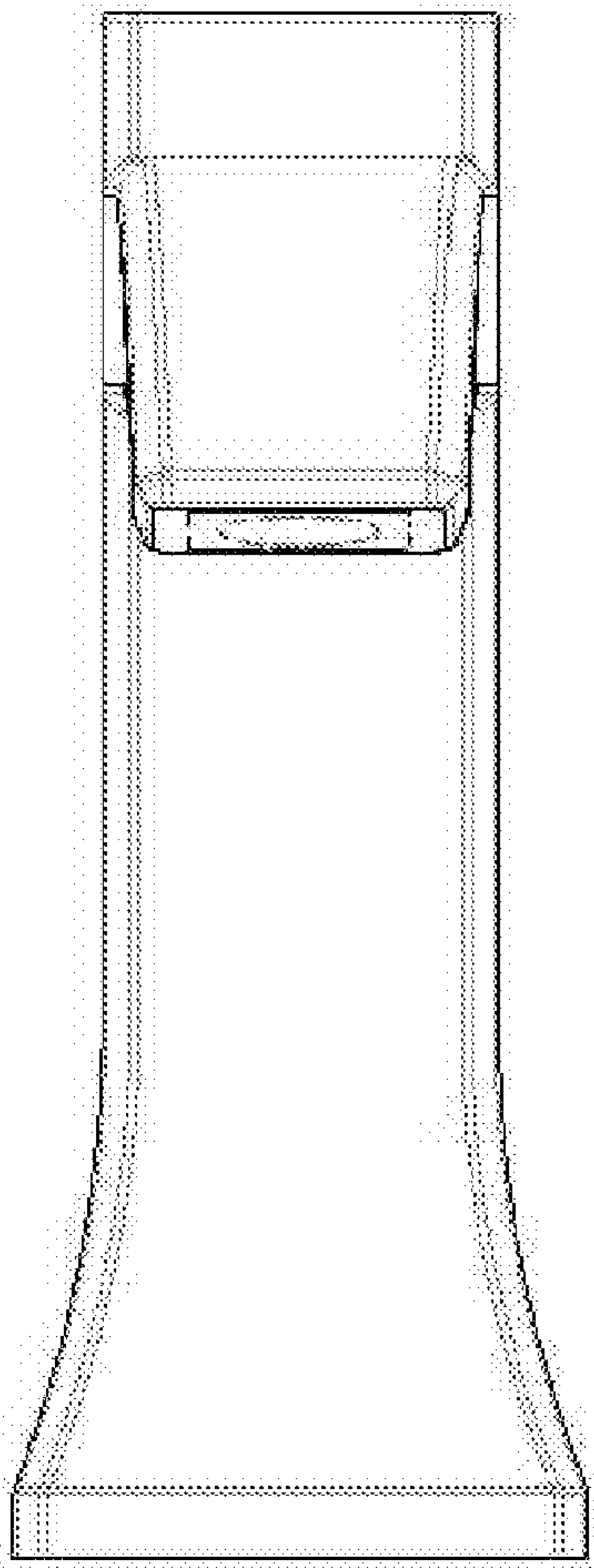


FIG. 2

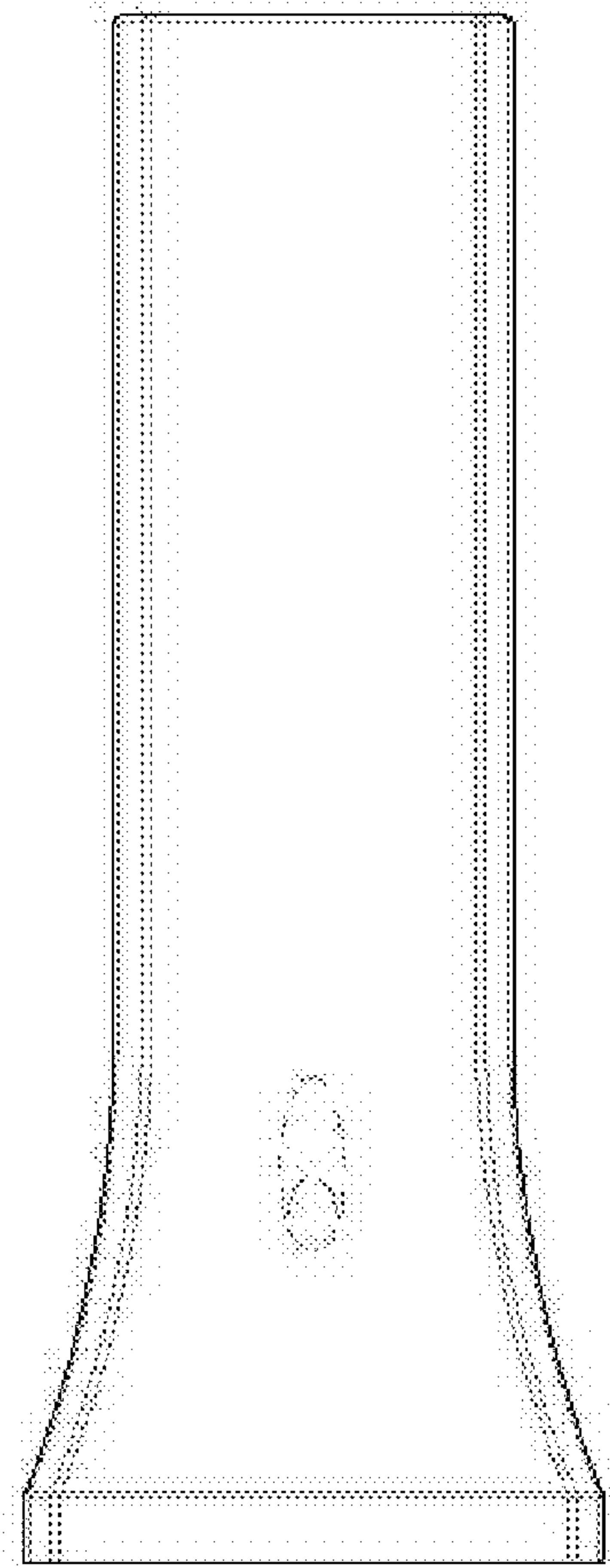


FIG. 3

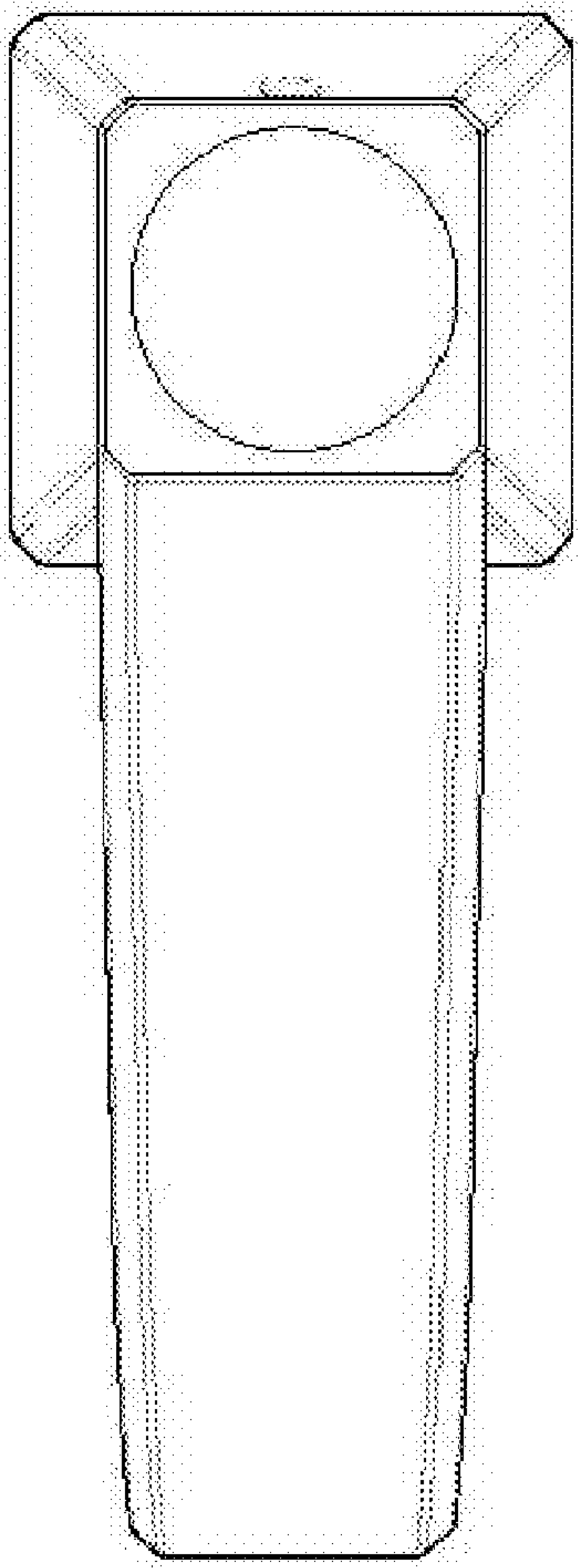


FIG. 4

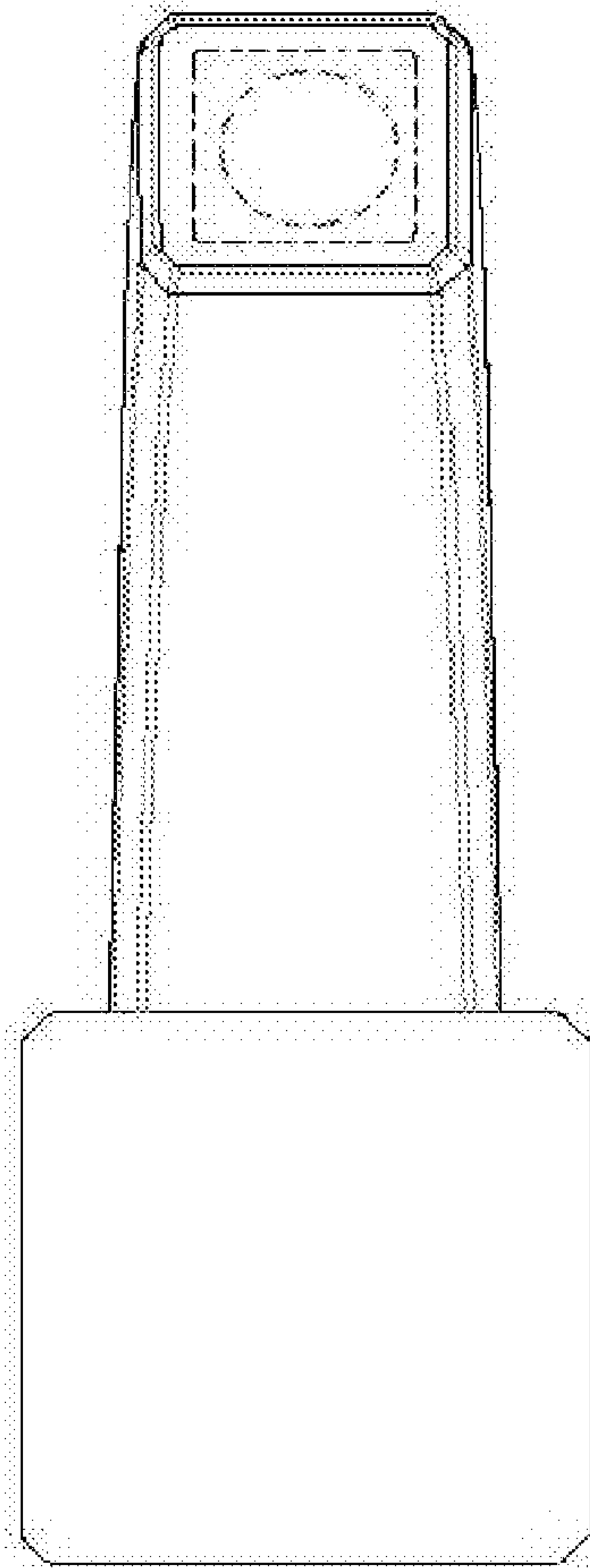


FIG. 5

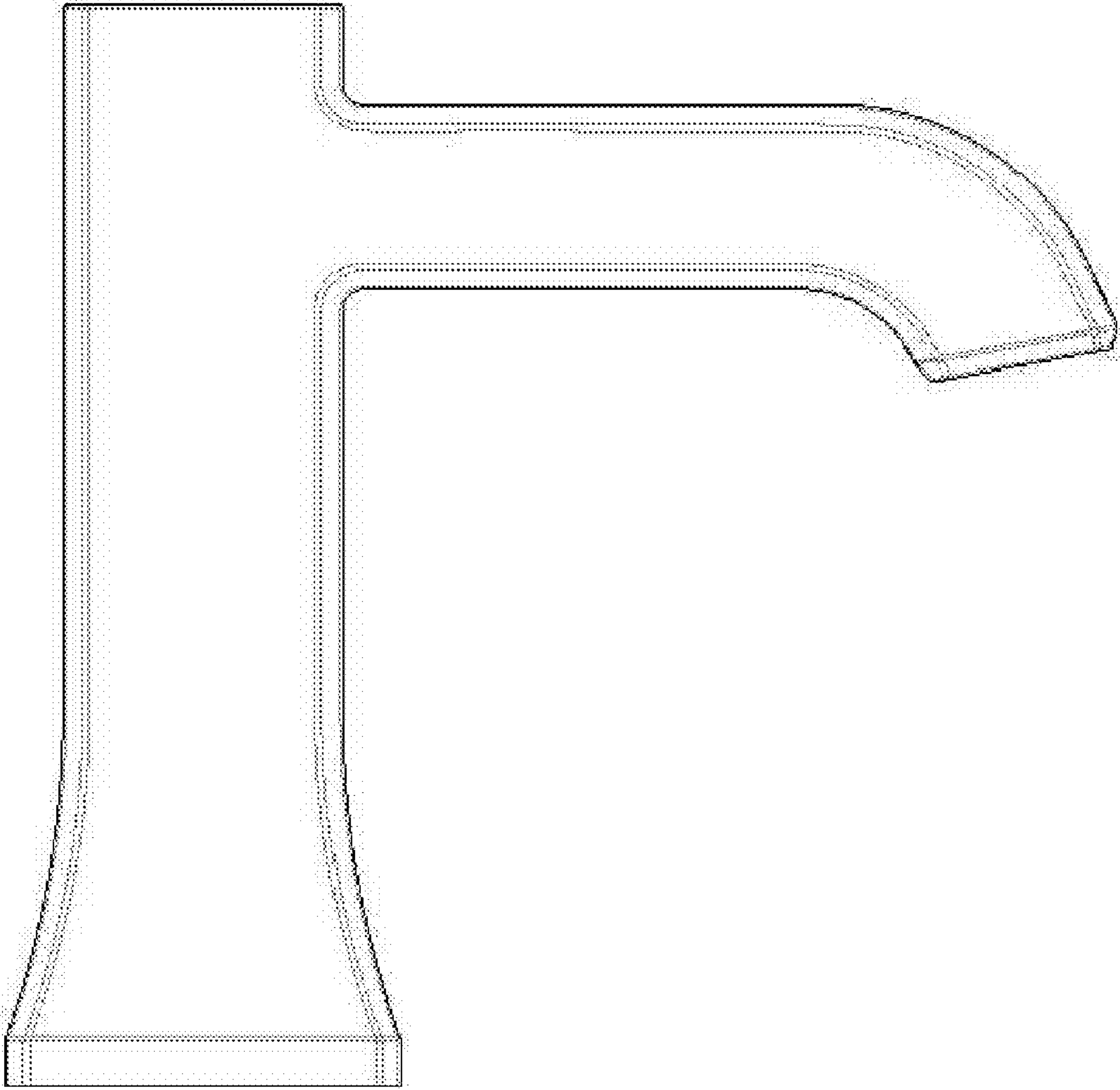


FIG. 6