



US00D648000S

(12) **United States Design Patent**
Shimura et al.

(10) **Patent No.:** **US D648,000 S**

(45) **Date of Patent:** **** Nov. 1, 2011**

(54) **EXPANSION VALVE WITH SOLENOID VALVE**

(75) Inventors: **Tomonori Shimura**, Tokyo (JP);
Toshimichi Kureha, Tokyo (JP)

(73) Assignee: **Fujikoki Corporation**, Tokyo (JP)

(**) Term: **14 Years**

(21) Appl. No.: **29/371,418**

(22) Filed: **Feb. 18, 2011**

(30) **Foreign Application Priority Data**

Aug. 30, 2010 (JP) 2010-020875

(51) **LOC (9) Cl.** **23-01**

(52) **U.S. Cl.** **D23/233**

(58) **Field of Classification Search** D23/233-237,
D23/244-249; 137/625.48; 251/14, 64;
62/115, 197, 210, 222-225, 527; 236/63-64,
236/66, 92 B; 285/189, 208, 211, 368

See application file for complete search history.

(56) **References Cited**

U.S. PATENT DOCUMENTS

D427,285 S * 6/2000 Watanabe D23/233
D429,315 S * 8/2000 Okada et al. D23/233

D440,632 S * 4/2001 Fukuda et al. D23/233
D494,658 S * 8/2004 Kobayashi et al. D23/233
D532,080 S * 11/2006 Kobayashi et al. D23/233
D546,921 S * 7/2007 Kobayashi et al. D23/233
D589,118 S * 3/2009 Watanabe D23/233
D601,662 S * 10/2009 Kobayashi et al. D23/233
D602,560 S * 10/2009 Shimura et al. D23/233
D621,475 S * 8/2010 Matsumoto D23/233

* cited by examiner

Primary Examiner — Cathron C Brooks

Assistant Examiner — Maurice Stevens

(74) *Attorney, Agent, or Firm* — Manabu Kanesaka

(57) **CLAIM**

The ornamental design for an expansion valve with solenoid valve, as shown and described.

DESCRIPTION

FIG. 1 is a front view of an expansion valve with solenoid valve showing our new design;

FIG. 2 is a rear view thereof;

FIG. 3 is a right side view thereof;

FIG. 4 is a left side view thereof;

FIG. 5 is a plan view thereof;

FIG. 6 is a bottom view thereof; and,

FIG. 7 is a cross-sectional view of line 7-7 in FIG. 4.

The broken lines showing unclaimed portions of the expansion valve form no part of the claimed design.

1 Claim, 4 Drawing Sheets

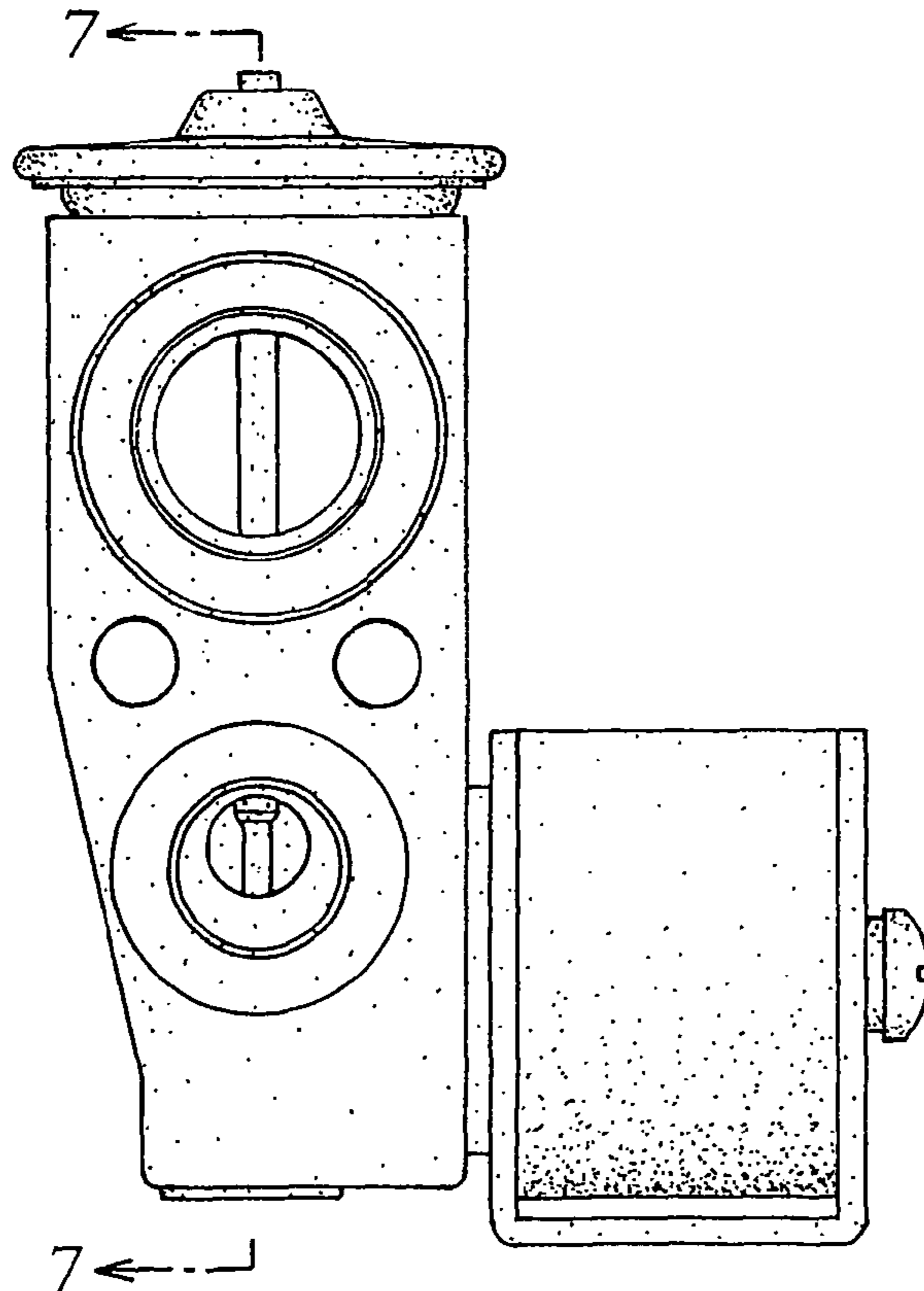


Fig. 1

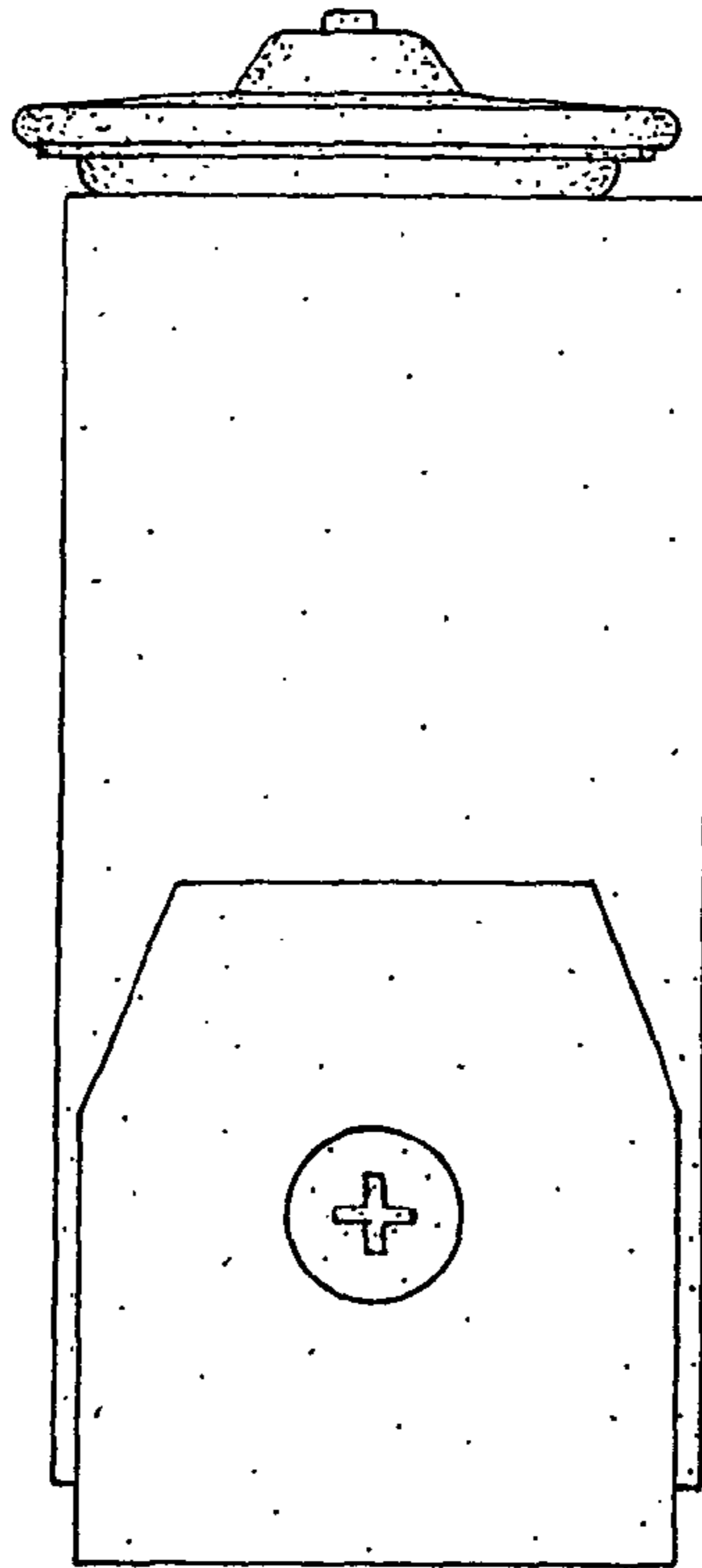


Fig. 2

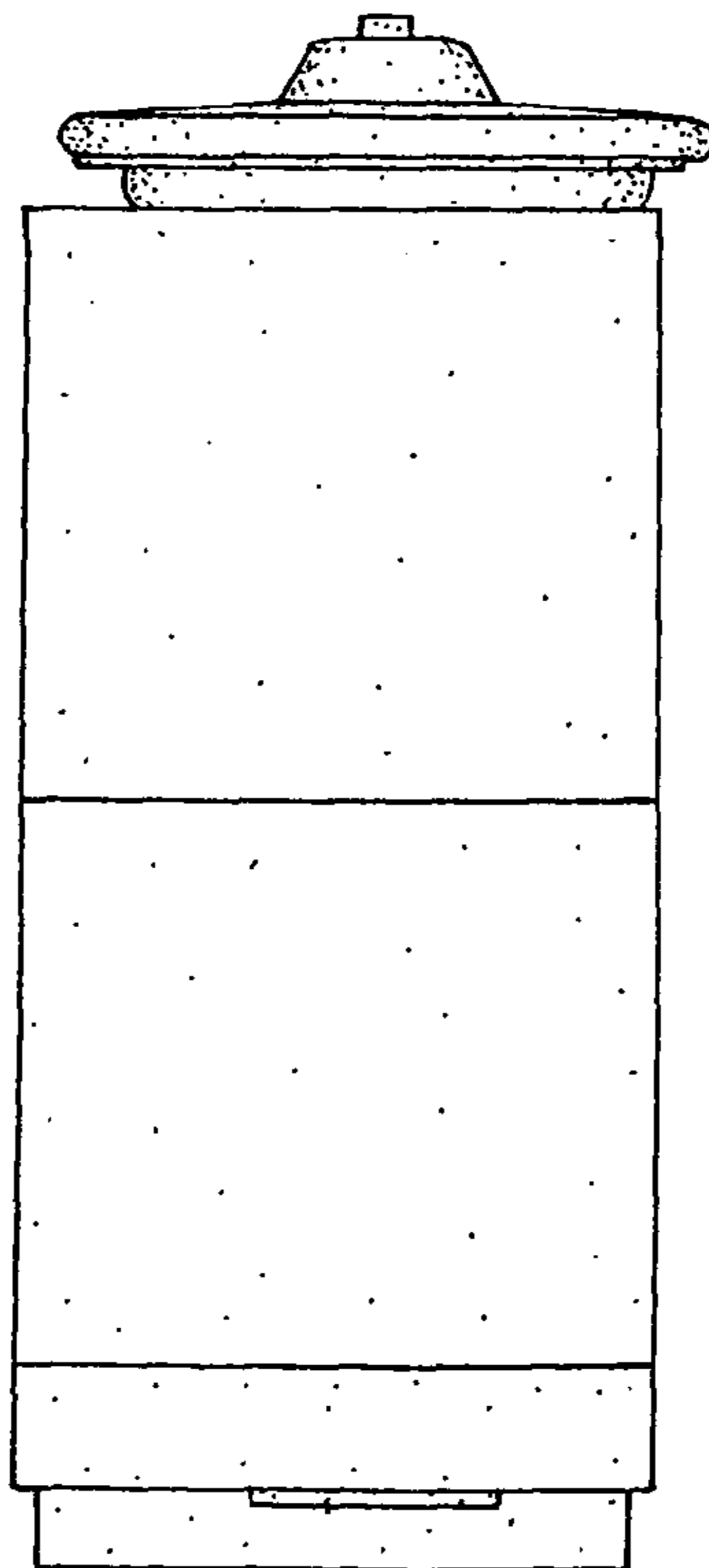


Fig. 3

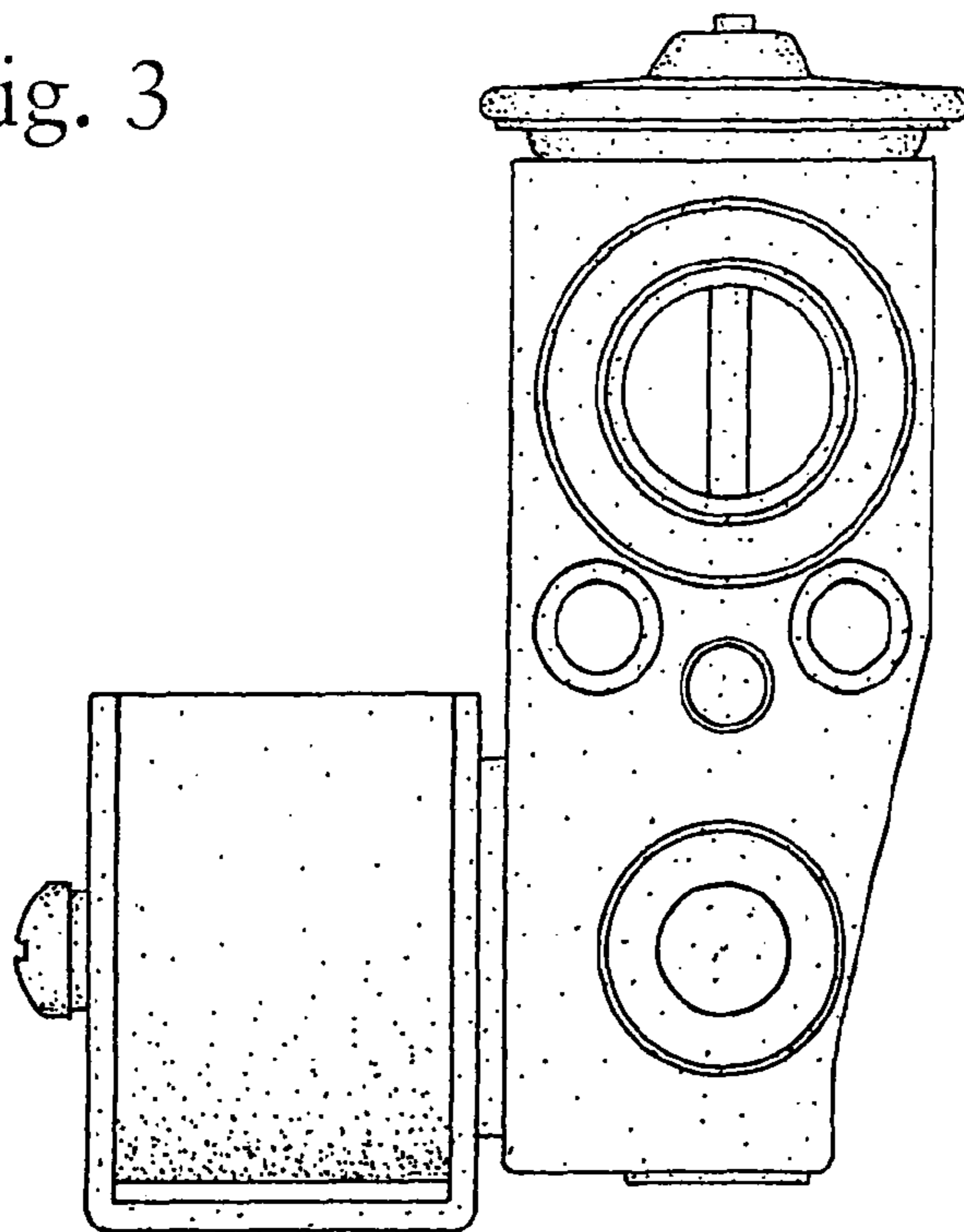


Fig. 4

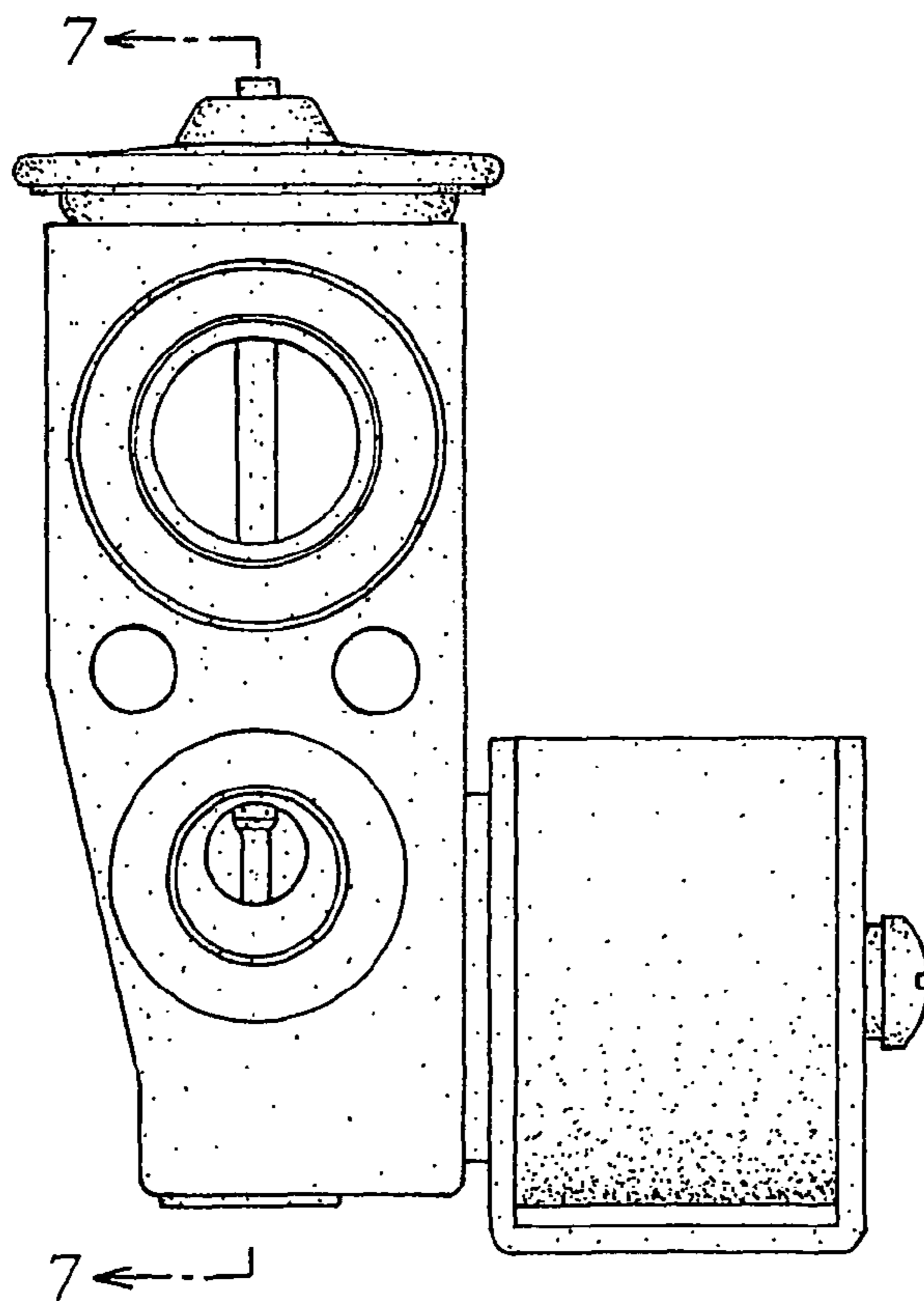


Fig. 5

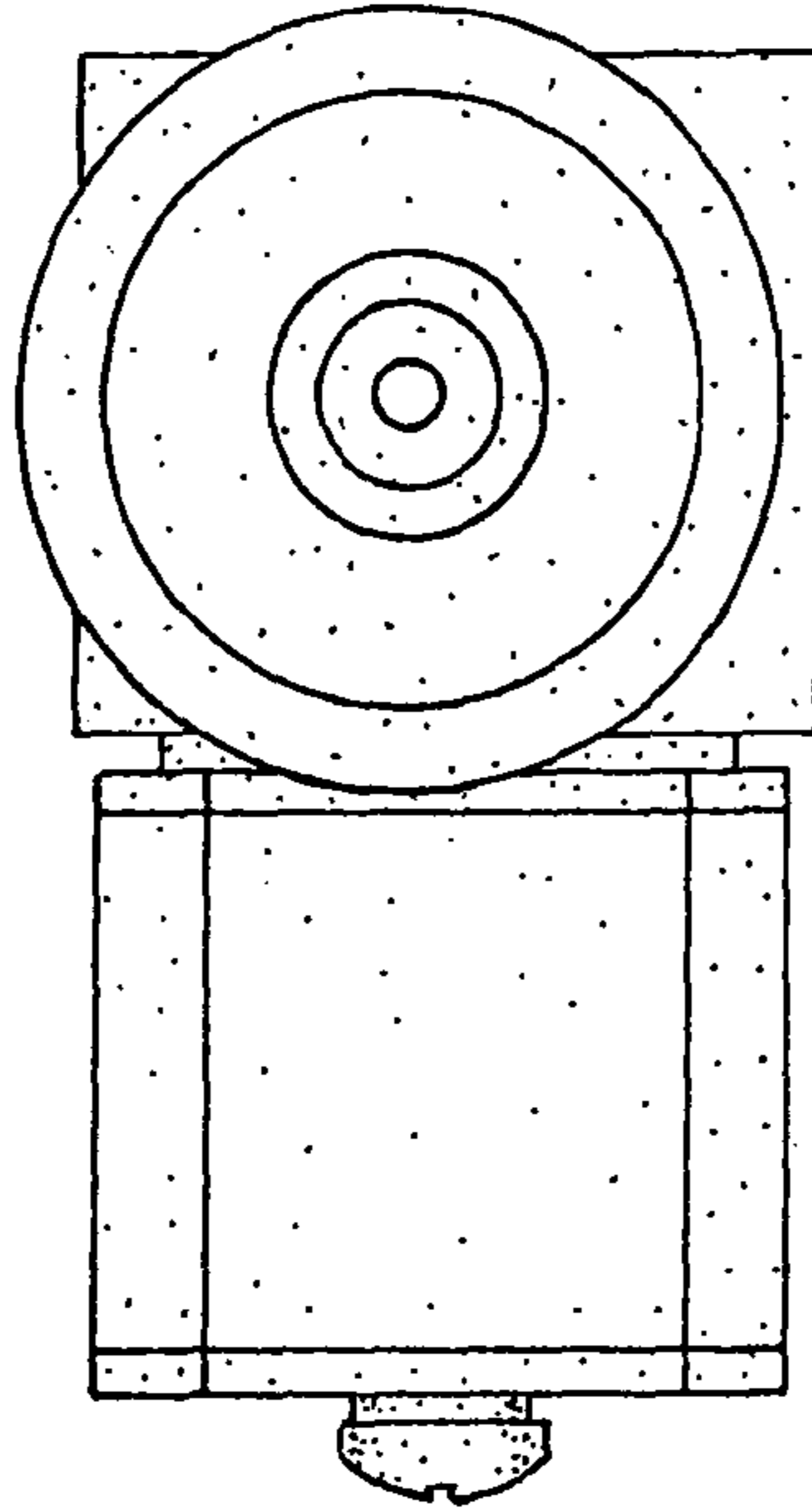


Fig. 6

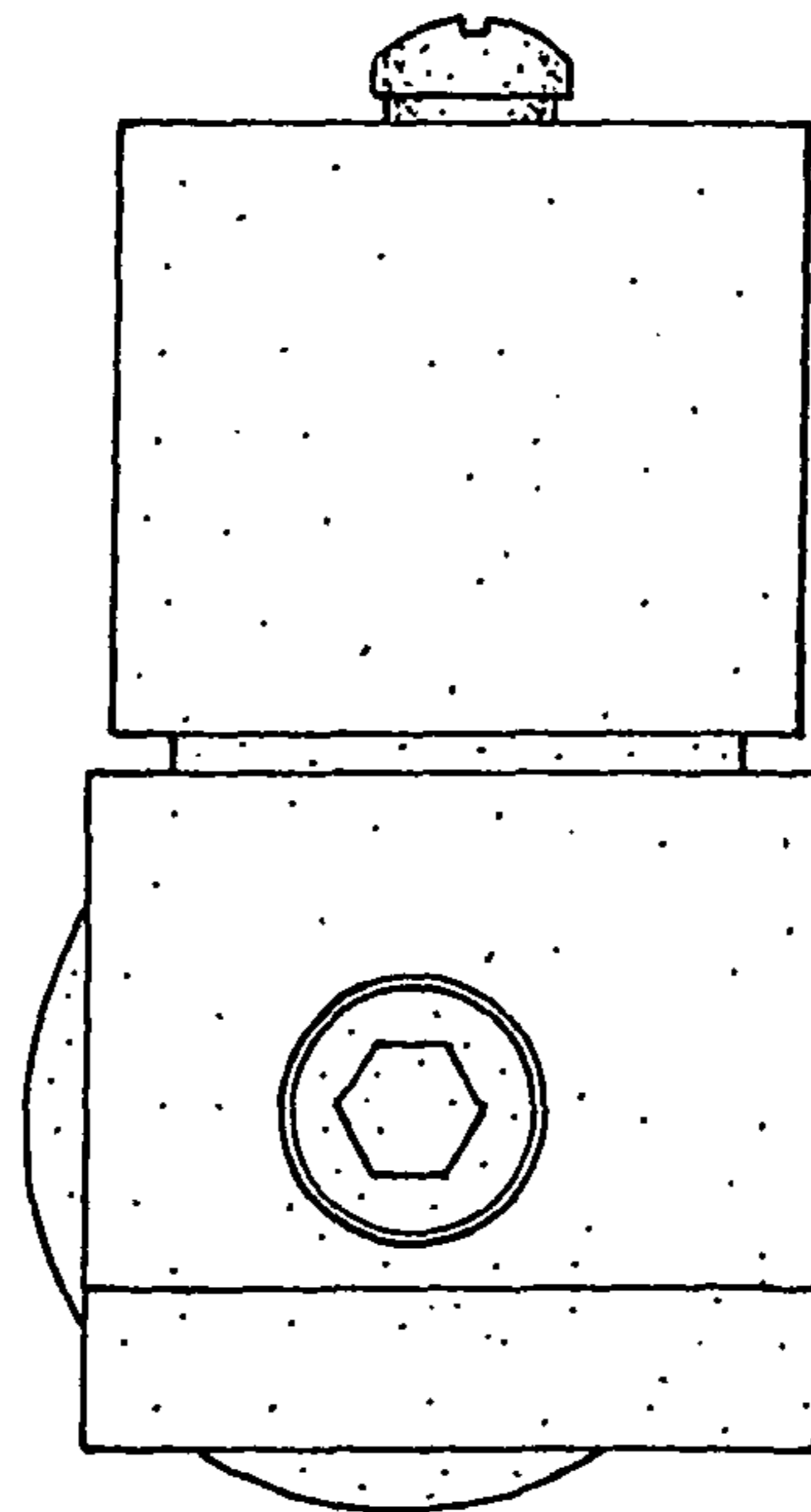


Fig. 7

