



US00D647997S

(12) **United States Design Patent**  
**Squires et al.**

(10) **Patent No.:** **US D647,997 S**

(45) **Date of Patent:** **\*\* Nov. 1, 2011**

(54) **CYLINDER SHROUD**

(75) Inventors: **Gerald C. Squires**, Clarence Center, NY (US); **Giancarlo Nicolini**, Villanuova Sul Clisi (IT)

(73) Assignee: **Praxair Technology, Inc.**, Danbury, CT (US)

(\*\*) Term: **14 Years**

(21) Appl. No.: **29/369,582**

(22) Filed: **Sep. 10, 2010**

(51) **LOC (9) Cl.** ..... **23-01**

(52) **U.S. Cl.** ..... **D23/206**

(58) **Field of Classification Search** ..... D23/202, D23/206; 137/377, 382; 206/0.6; 220/724, 220/725, 732, 23.91

See application file for complete search history.

(56) **References Cited**

U.S. PATENT DOCUMENTS

D204,822	S	*	5/1966	Barker	.....	D23/206
4,332,331	A	*	6/1982	Fawley	.....	220/726
D273,510	S	*	4/1984	Mayor	.....	D23/206
D334,967	S	*	4/1993	Kitsuda	.....	D23/206
D439,956	S	*	4/2001	Nilsson	.....	D23/260
6,311,722	B1	*	11/2001	Gounot et al.	.....	137/382
6,817,482	B1	*	11/2004	Borter	.....	220/725
6,941,964	B1	*	9/2005	Hess et al.	.....	137/1

D576,702	S	*	9/2008	Aguiar et al.	.....	D23/206
7,520,549	B2	*	4/2009	Leighton	.....	294/152
D611,566	S	*	3/2010	Brockington et al.	.....	D23/206
7,703,821	B2	*	4/2010	Swain	.....	294/27.1

\* cited by examiner

*Primary Examiner* — Robin V Webster

(74) *Attorney, Agent, or Firm* — Robert J. Hampsch

(57) **CLAIM**

The ornamental design for a cylinder shroud, as shown and described.

**DESCRIPTION**

FIG. 1 is a perspective view of a cylinder shroud depicting the design;

FIG. 2 is a left side elevational view of the cylinder shroud of FIG. 1;

FIG. 3 is a rear elevational view of the cylinder shroud of FIG. 1;

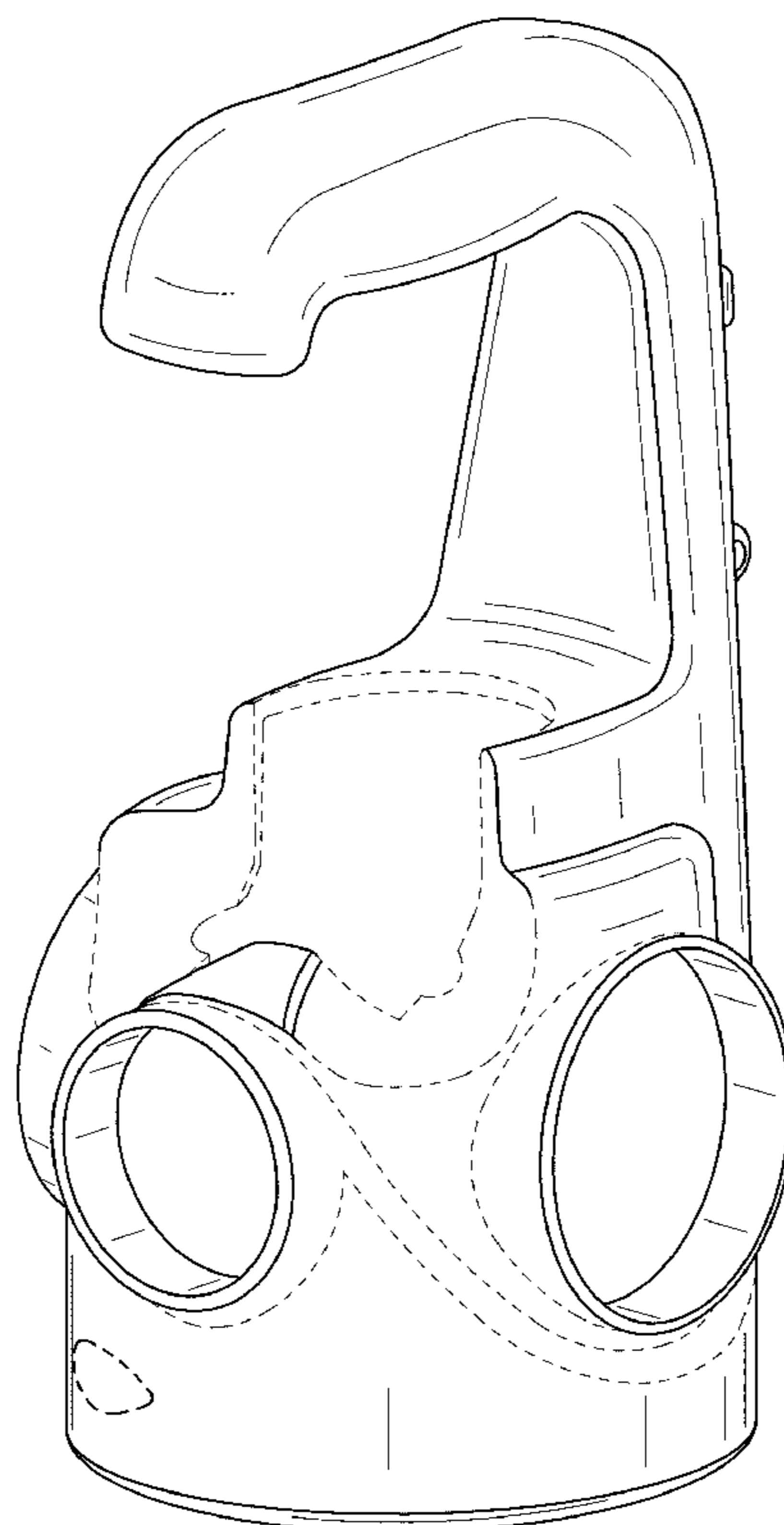
FIG. 4 is a right side elevational view of the cylinder shroud of FIG. 1;

FIG. 5 is a top plan view of the cylinder shroud of FIG. 1; and, FIG. 6 is a bottom plan view of the cylinder shroud of FIG. 1.

The details shown in broken lines form no part of the claimed design.

A new design for a cylinder shroud adapted for use with compressed gas cylinders is provided.

**1 Claim, 6 Drawing Sheets**



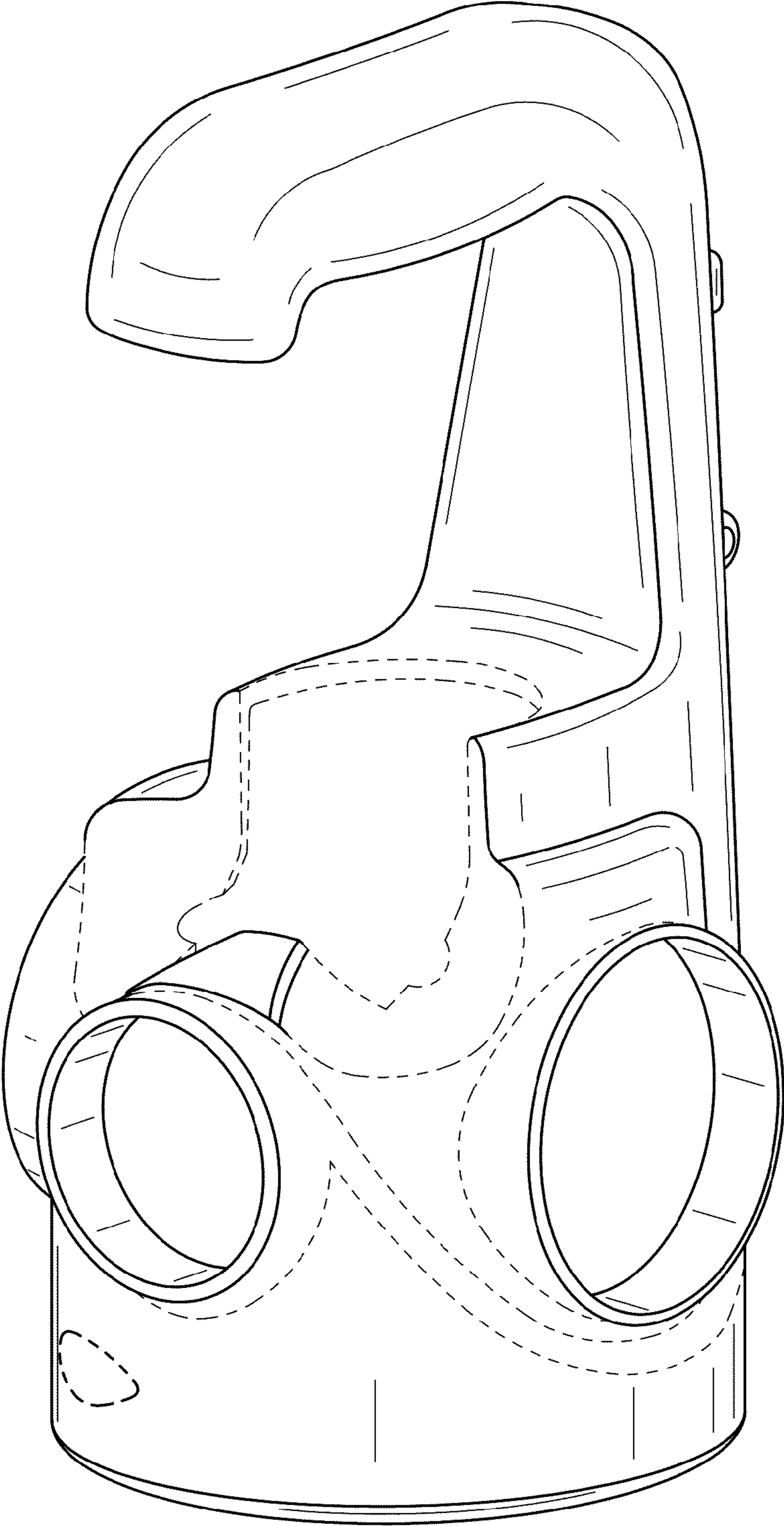


FIG. 1

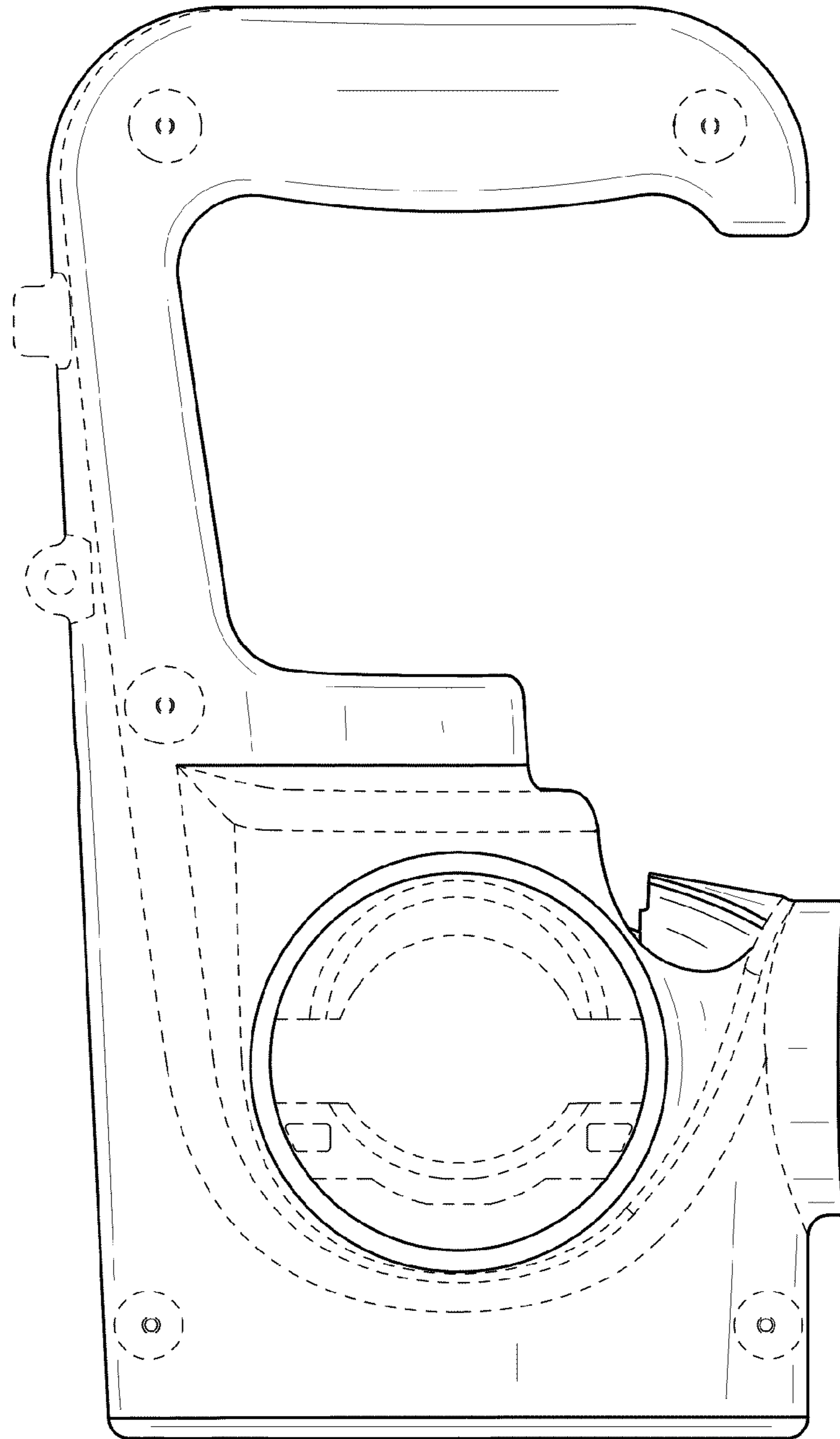
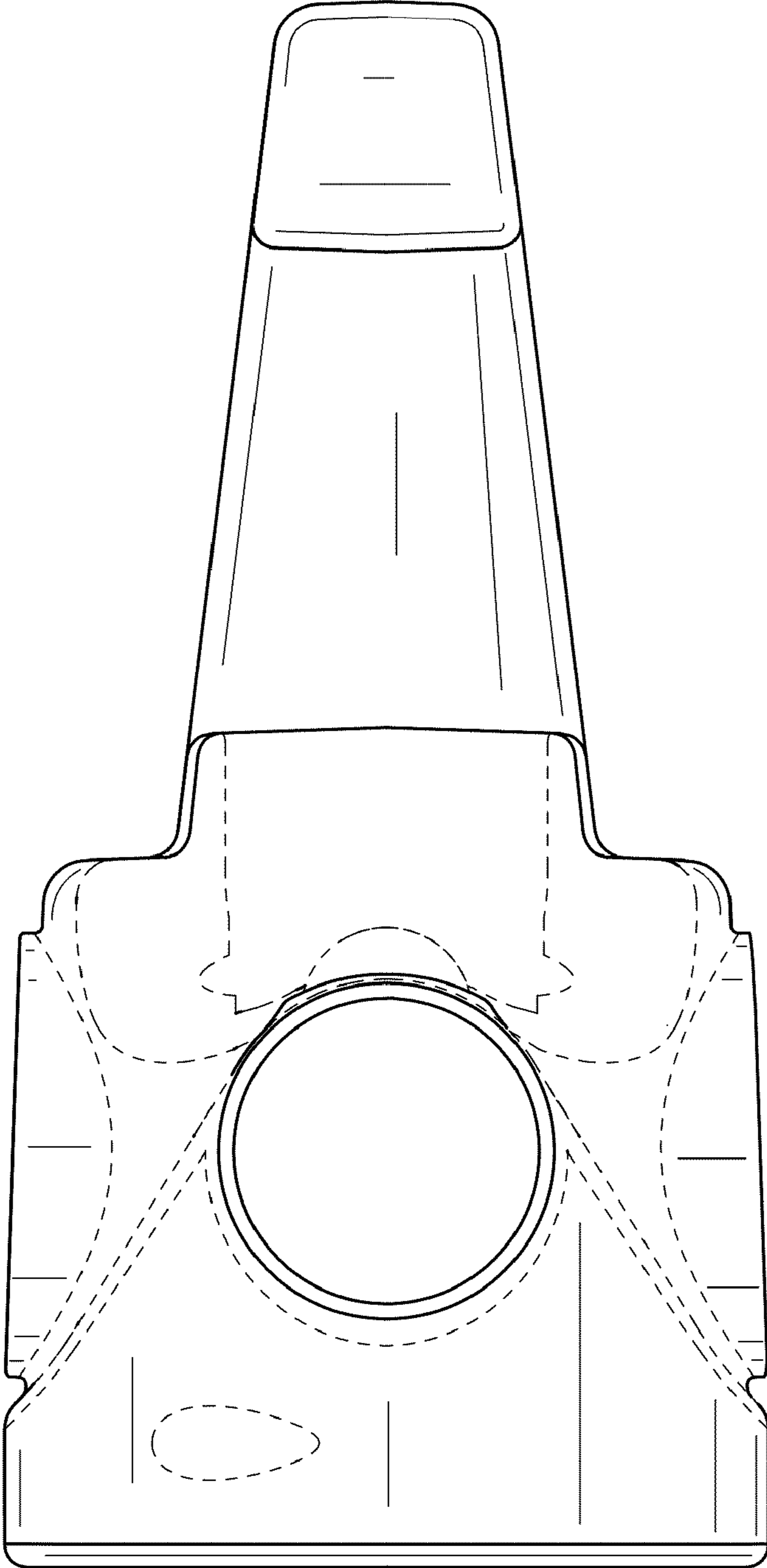


FIG. 2



**FIG. 3**

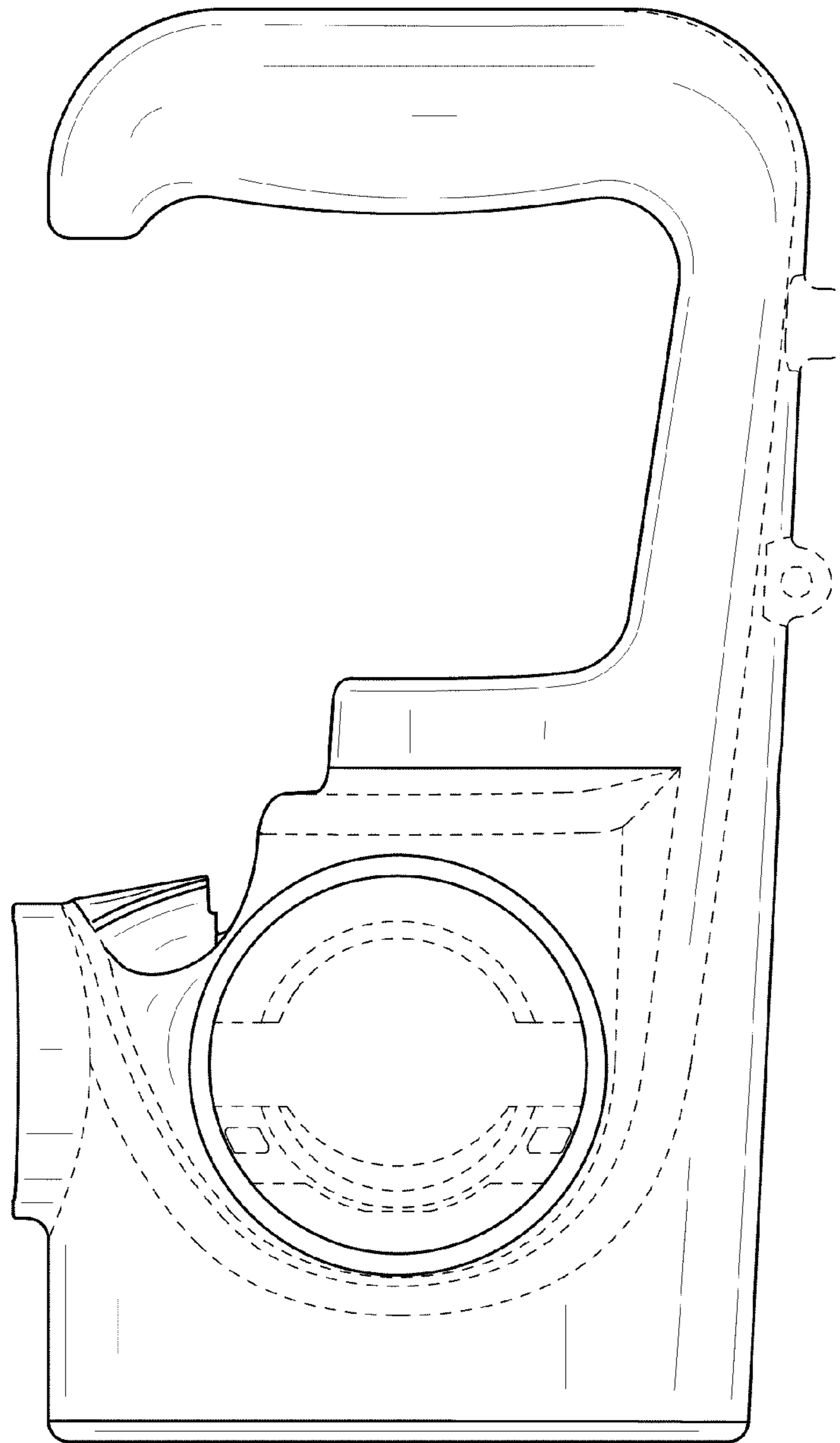
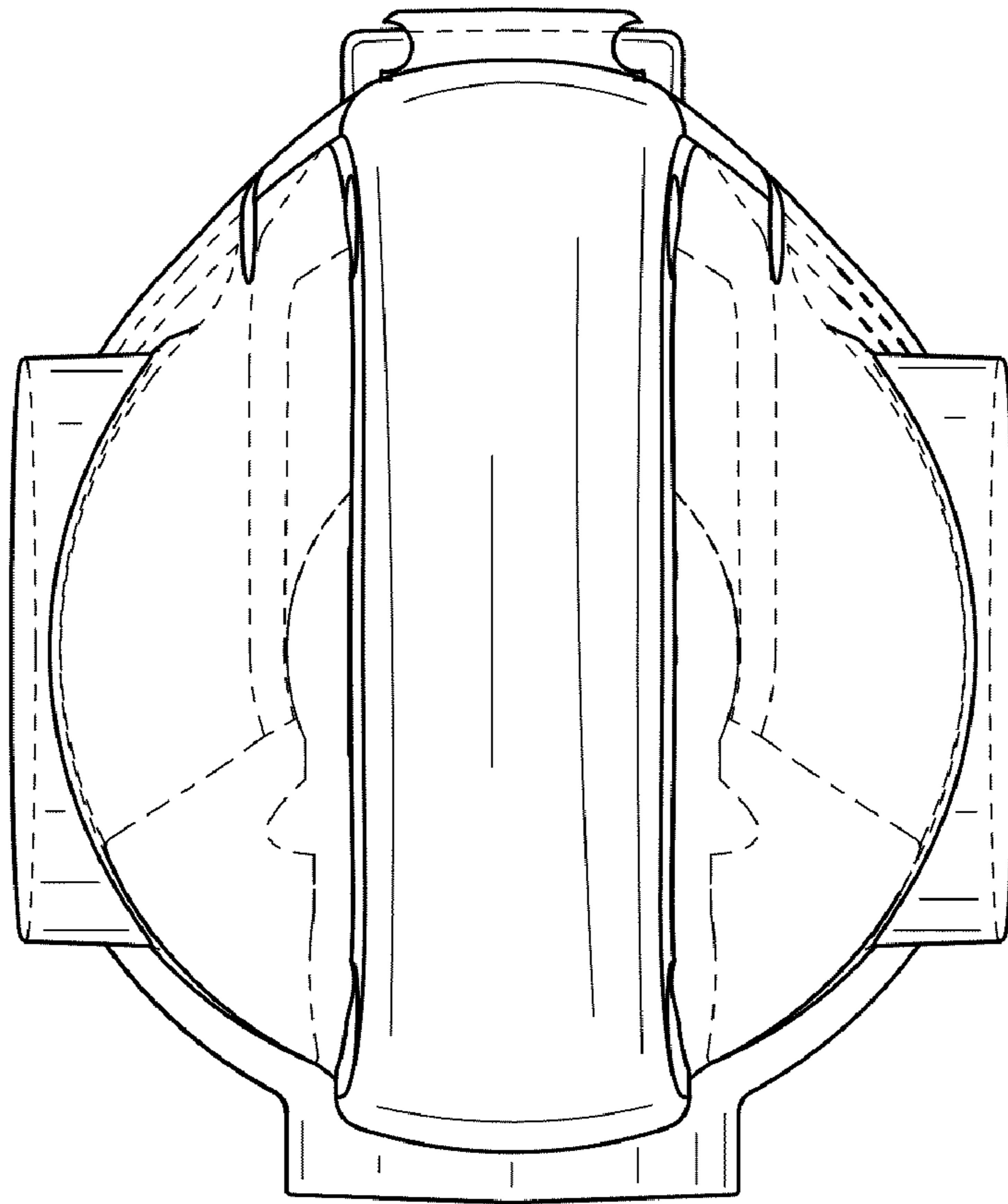
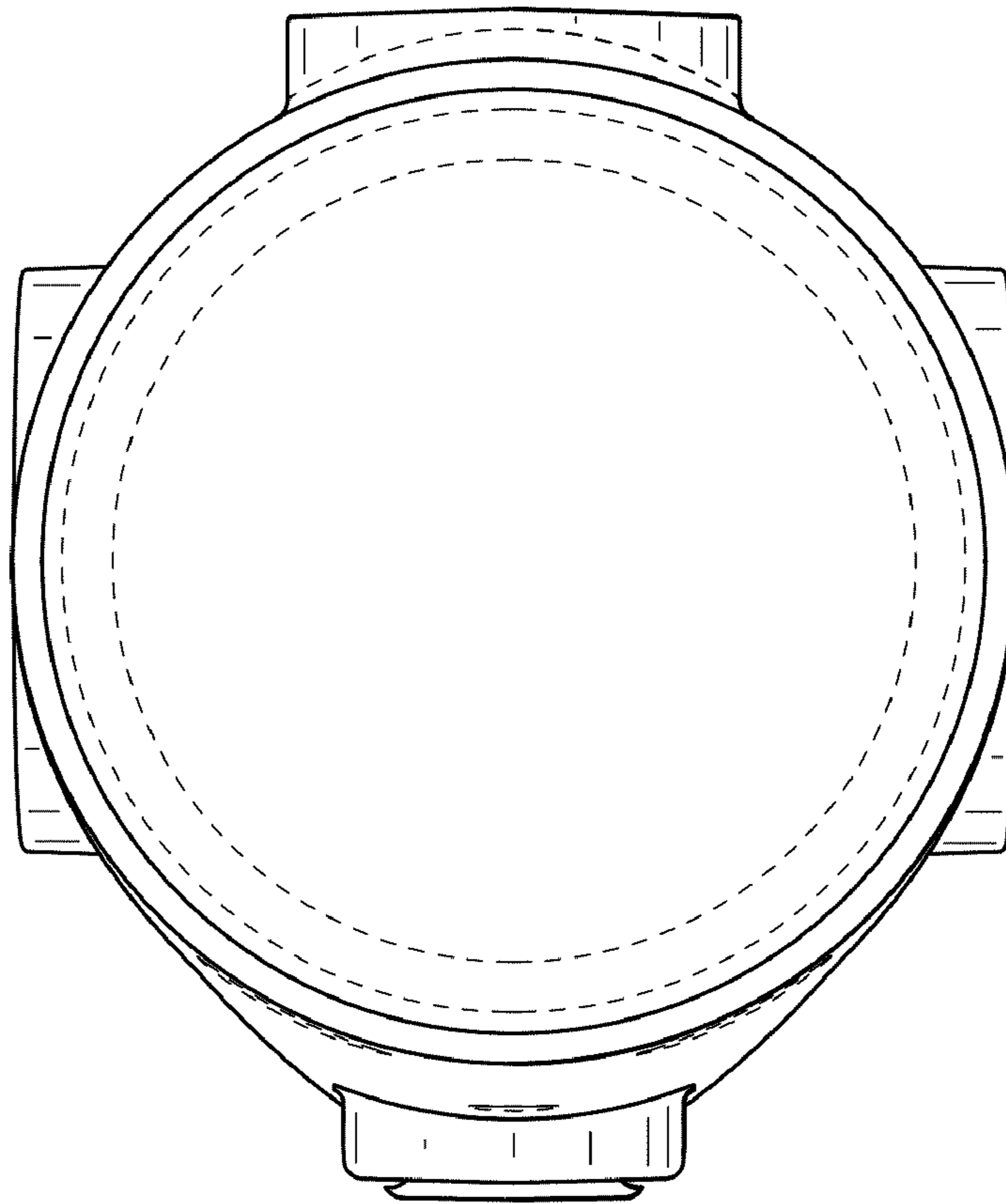


FIG. 4



**FIG. 5**





**FIG. 6**