



US00D647995S

(12) **United States Design Patent**
Kowalski et al.

(10) **Patent No.:** **US D647,995 S**
(45) **Date of Patent:** **** Nov. 1, 2011**

(54) **FISHING ROD HOLDER**

(76) Inventors: **James M. Kowalski**, Glen Lyon, PA (US); **Kenneth Mieczkowski**, Sweet Valley, PA (US)

(**) Term: **14 Years**

(21) Appl. No.: **29/385,222**

(22) Filed: **Feb. 10, 2011**

(51) **LOC (9) Cl.** **22-05**

(52) **U.S. Cl.** **D22/147**

(58) **Field of Classification Search** D22/147,
D22/148, 138-139; 43/21.2, 16-17; 248/530-534,
248/512

See application file for complete search history.

(56) **References Cited**

U.S. PATENT DOCUMENTS

2,492,323	A *	12/1949	Roell	248/533
4,177,595	A	12/1979	Chon		
D345,409	S	3/1994	Baynard		
5,400,996	A	3/1995	Drish		
D363,530	S *	10/1995	Dalley	D22/147
5,488,798	A	2/1996	Beachel		
D413,648	S *	9/1999	Simpson et al.	D22/147
D418,900	S *	1/2000	Voutsikakis	D22/147
6,338,465	B1	1/2002	Stoner		
D507,817	S *	7/2005	Mitchell	D22/147
7,603,805	B1	10/2009	Lehmberg		

OTHER PUBLICATIONS

<http://www.cabelas.com/cabelas/en/templates/pod/standard-pod.com>—Tripod Rod Holder and Monopod Bank Rest dated Sep. 21, 2010.

Triple Crown Outdoor Flier circulated from Jan. 8, 2009.

* cited by examiner

Primary Examiner — Catheri Oliver

(74) *Attorney, Agent, or Firm* — Knoble Yoshida & Dunleavy, LLC

(57) **CLAIM**

The ornamental design for a fishing rod holder, as shown and described.

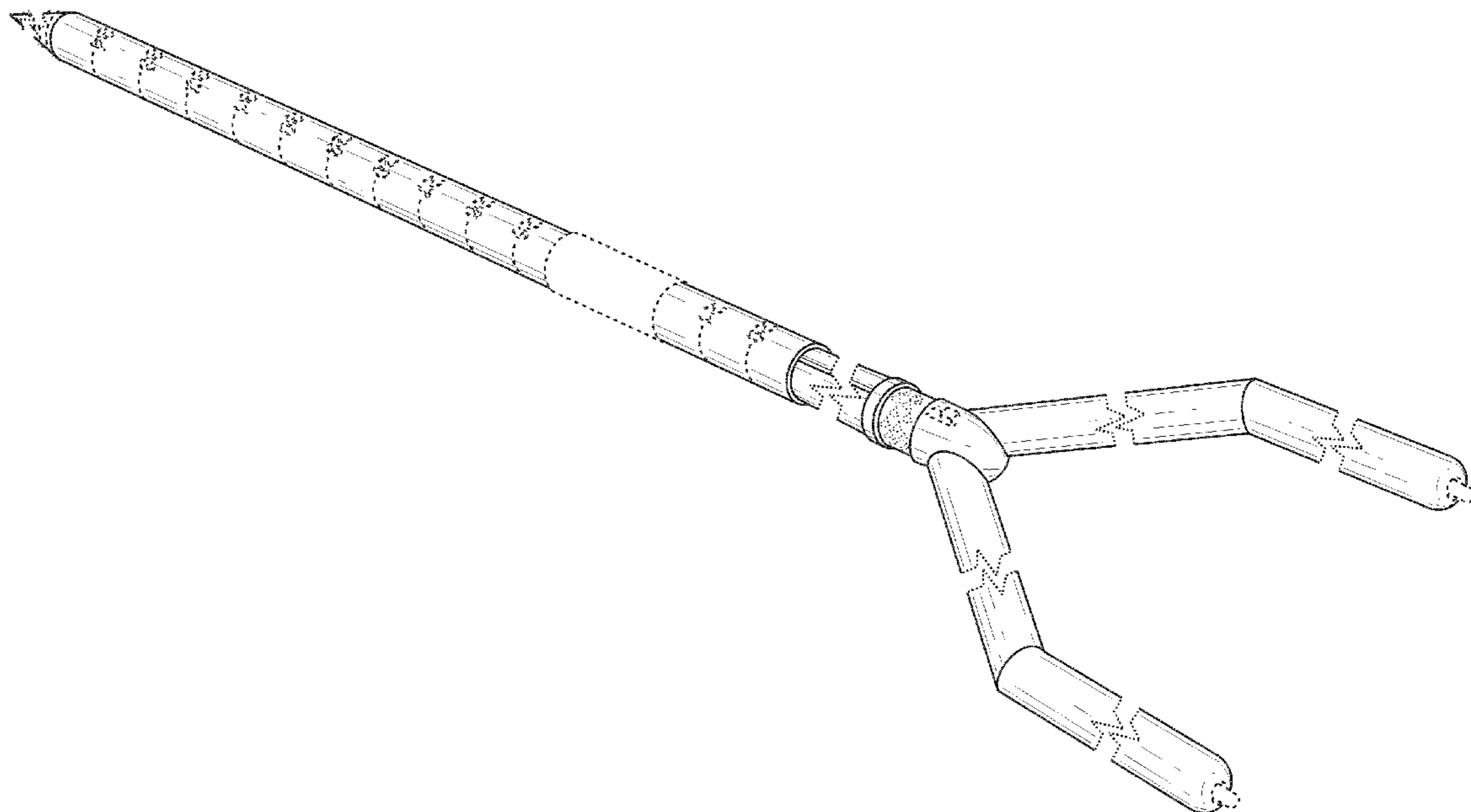
DESCRIPTION

FIG. 1 is a front perspective view showing my new design; FIG. 2 is a front elevational view; FIG. 3 is a rear elevational view; FIG. 4 is a first side view of the design positioned in an upwardly facing orientation; FIG. 5 is a second side view of the design positioned in a downwardly facing orientation; FIG. 6 is a top plan view; and, FIG. 7 is a bottom plan view.

Portions of the design are shown broken away to indicate indeterminate length.

The broken lines in the drawings depict probable environment only and form no part of the claimed design.

1 Claim, 3 Drawing Sheets



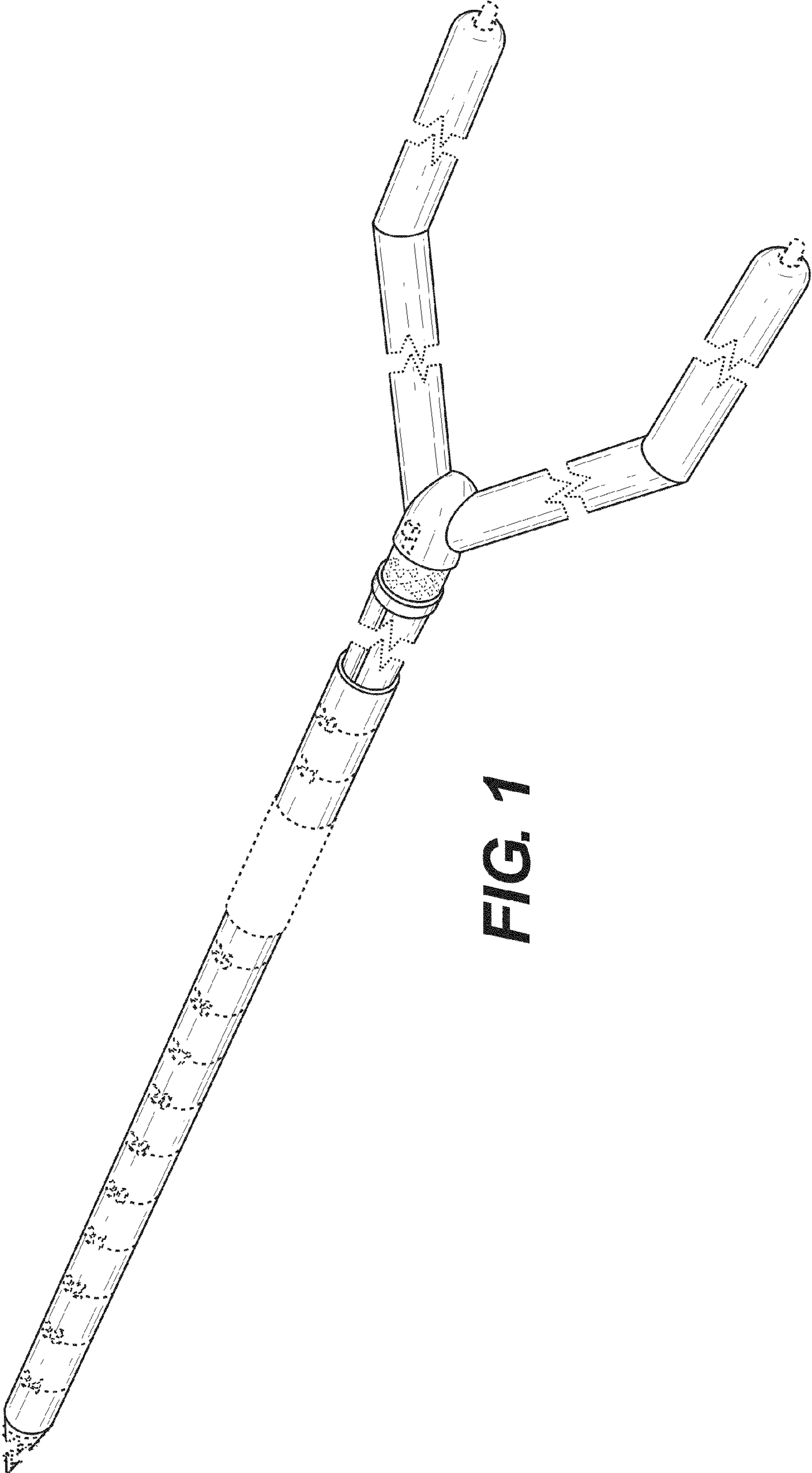


FIG. 1

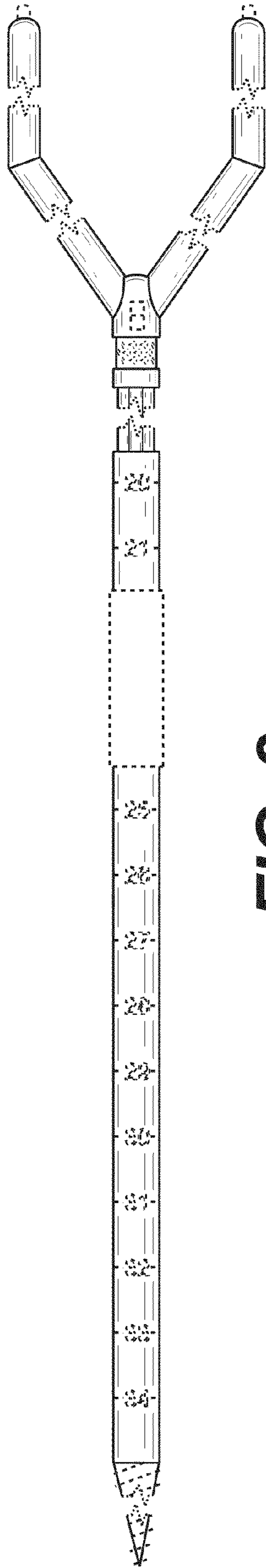


FIG. 2

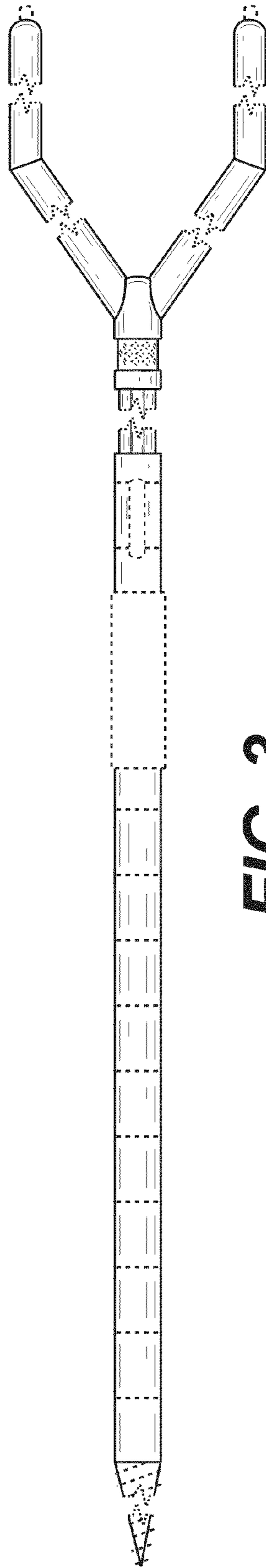


FIG. 3



FIG. 4

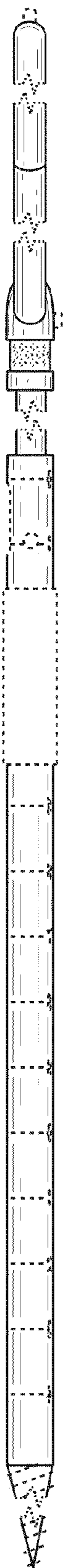


FIG. 5

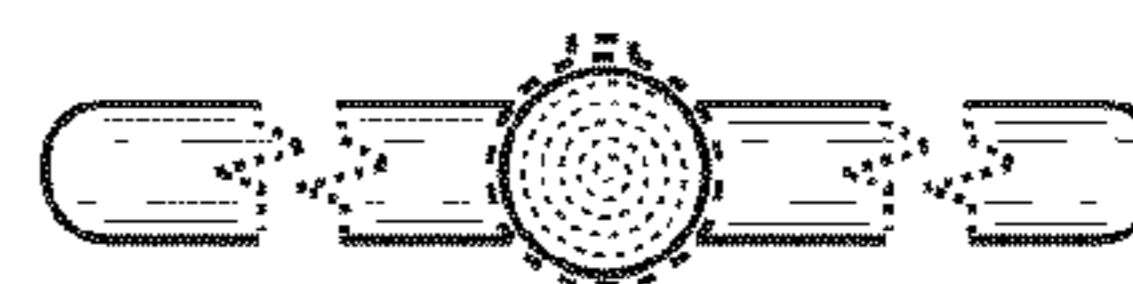


FIG. 7

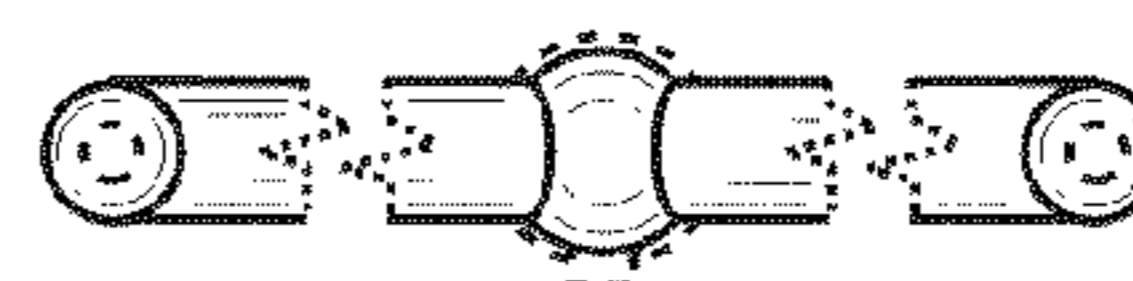


FIG. 6