



US00D647994S

(12) **United States Design Patent**  
**Goodman**

(10) **Patent No.:** **US D647,994 S**  
(45) **Date of Patent:** **\*\* Nov. 1, 2011**

- (54) **TARGET APPARATUS**
- (76) Inventor: **Jason A. Goodman**, Dallas, TX (US)
- (\*\*) Term: **14 Years**
- (21) Appl. No.: **29/361,802**
- (22) Filed: **May 14, 2010**
- (51) **LOC (9) Cl.** ..... **22-04**
- (52) **U.S. Cl.** ..... **D22/113**
- (58) **Field of Classification Search** ..... D22/100,  
D22/113, 108, 199; D8/1, 380, 381; 49/94;  
89/37.04; 211/64, 13.1, 49.1, 60.1, 70.5,  
211/86.01, 87.01, 88.01, 89.01, 181.1, 560;  
248/156, 530, 121, 175, 200, 302, 304, 309.1,  
248/310, 312; D6/329, 396, 417, 552, 553,  
D6/567; D21/385, 662, 698, 790; D20/10-19,  
D20/39, 41, 99; D25/35, 39, 42-44, 58,  
D25/100, 126-128, 199; 52/64, 270, 271,  
52/272, 292, 293.3

See application file for complete search history.

(56) **References Cited**

**U.S. PATENT DOCUMENTS**

844,988 A \* 2/1907 Yoakum ..... 52/270  
(Continued)

**OTHER PUBLICATIONS**

Field Logic Grandstand Target Stand, Cabela's Inc., Cabela's website www.cabelas.com, printed Mar. 1, 2010, 2 pages.  
(Continued)

*Primary Examiner* — T. Chase Nelson  
*Assistant Examiner* — Michael Pratt

(74) *Attorney, Agent, or Firm* — Haynes and Boone, LLP

(57) **CLAIM**

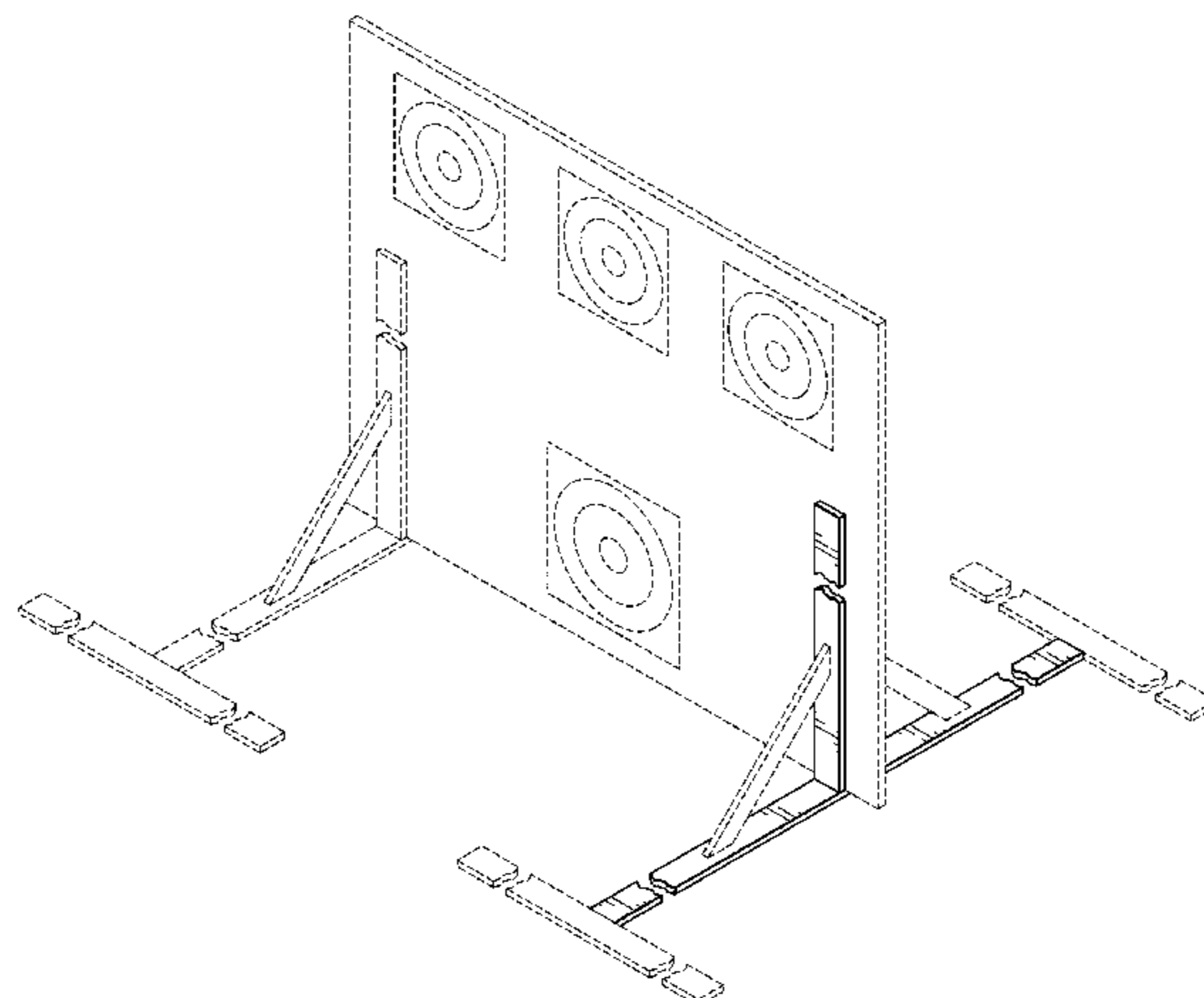
The ornamental design for a target apparatus, as shown and described.

**DESCRIPTION**

FIG. 1 is a perspective view of the target apparatus showing my new design with portions of the article being broken away to indicate respective indeterminate lengths;

FIG. 2 is a front elevational view of the target apparatus;  
 FIG. 3 is a right side elevational view of the target apparatus, the left side elevational view being the same as the right side elevational view;  
 FIG. 4 is a rear elevational view of the target apparatus;  
 FIG. 5 is a top plan view of the target apparatus;  
 FIG. 6 is a bottom plan view of the target apparatus;  
 FIG. 7 is a perspective view of the target apparatus showing my new design, being identical to FIGS. 1 through 6, but for the depiction in broken lines of environmental structure that is different than the environmental structure depicted in broken lines in 1 through 6;  
 FIG. 8 is a front elevational view of the target apparatus;  
 FIG. 9 is a right side elevational view, the left side elevational view being the same as the right side elevational view of FIGS. 1 through 7  
 FIG. 10 is a rear elevational view of the target apparatus;  
 FIG. 11 is a top plan view of the target apparatus;  
 FIG. 12 is a bottom plan view of the target apparatus;  
 FIG. 13 is a perspective view of the target apparatus showing my new design, being identical to 1 through 6 and 7 through 12 but for the depiction in broken lines of environmental structure that is different than the environmental structure depicted in broken lines in 1 through 6 and 7 through 12;  
 FIG. 14 is a front elevational view of the target apparatus;  
 FIG. 15 is a right side elevational view, the left side elevational view being the same as the right side elevational view;  
 FIG. 16 is a rear elevational view of the target apparatus;  
 FIG. 17 is a top plan view of the target apparatus;  
 FIG. 18 is a bottom plan view of the target apparatus;  
 FIG. 19 is a perspective view of the target apparatus showing my new design, being identical to 1 through 6, 7 through 12 and 13 through 18 but for the depiction in broken lines of environmental structure that is different than the environmental structure depicted in broken lines in 1 through 6, 7 through 12 and 13 through 18;  
 FIG. 20 is a front elevational view  
 FIG. 21 is a right side elevational view, the left side elevational view being the same;  
 FIG. 22 is a rear elevational view  
 FIG. 23 is a top plan view of the target apparatus; and,  
 FIG. 24 is a bottom plan view of the target apparatus.  
 The broken lines in FIGS. 1-24 form no part of the claimed design.

**1 Claim, 17 Drawing Sheets**



U.S. PATENT DOCUMENTS

1,515,146	A *	11/1924	Clark	446/322
RE16,868	E *	2/1928	Anderson	40/607.1
1,852,315	A *	4/1932	Lamb	40/611.05
2,168,912	A *	8/1939	Meyer	248/454
2,837,153	A *	6/1958	Brown et al.	160/371
2,872,750	A *	2/1959	Holcomb	40/610
3,355,174	A	11/1967	Hutson	
3,415,519	A	12/1968	Hand	
D222,903	S *	2/1972	Griffith	D8/380
3,707,062	A *	12/1972	Joiner, Jr.	52/745.21
3,858,837	A *	1/1975	Merritt	248/300
4,127,196	A *	11/1978	Boucher	211/207
4,137,576	A *	2/1979	Greene	52/73
D257,806	S *	1/1981	Maune	D19/34.3
4,278,145	A *	7/1981	Eade et al.	181/30
D279,631	S *	7/1985	Nowlin, III	D6/467
4,629,188	A *	12/1986	Mahieu	473/454
4,726,593	A	2/1988	Wade	
4,784,205	A *	11/1988	Johnson et al.	160/351
D304,983	S *	10/1989	Jenne	D25/58
D304,968	S *	12/1989	Mosser	D22/113
5,067,683	A	11/1991	Wagner	
D348,906	S *	7/1994	Hubble	D20/41
D351,863	S *	10/1994	Sarkisian et al.	D20/41
D353,206	S *	12/1994	Dunbar	D25/42
D371,505	S *	7/1996	Young	D8/349
5,533,732	A *	7/1996	Leinen et al.	273/375
5,666,766	A *	9/1997	Markey	52/94
D388,823	S *	1/1998	Bright	D19/34.1
D396,800	S *	8/1998	Prince et al.	D8/354
D399,261	S *	10/1998	Humphrey	D20/41
D400,361	S *	11/1998	Sobrito	D6/332
5,829,753	A	11/1998	Wiser	
D410,835	S *	6/1999	Cosgrove	D8/354
5,910,088	A *	6/1999	Staples et al.	52/741.4
D425,135	S *	5/2000	Quiring	D21/302
6,093,120	A *	7/2000	Luke, Jr.	473/454
D430,903	S *	9/2000	Spivey	D20/41
6,347,798	B1 *	2/2002	Quiring et al.	273/391
6,370,803	B1 *	4/2002	Burquest	40/607.04
6,398,215	B1	6/2002	Carroll	
6,491,303	B1	12/2002	Huston	
6,543,778	B2	4/2003	Baker	
6,545,864	B2 *	4/2003	Davis, IV	361/679.55
D479,116	S *	9/2003	Gross	D8/349
6,643,966	B2 *	11/2003	Schmitt	40/610
6,726,208	B2	4/2004	Wilkus	
6,896,267	B1 *	5/2005	Le Anna	273/391

7,070,459	B2 *	7/2006	Denovich et al.	439/719
7,114,725	B2	10/2006	Camp et al.	
7,134,661	B2 *	11/2006	Trecartin	273/343
D533,589	S *	12/2006	Smith	D19/34.3
D555,467	S *	11/2007	Pecoraro	D8/380
D556,833	S *	12/2007	Maier-Hunke	D20/41
D558,040	S *	12/2007	Skinner	D8/382
D575,630	S *	8/2008	Deuer	D8/354
7,434,810	B2	10/2008	DeMille et al.	
D593,401	S *	6/2009	Sato	D8/381
7,556,268	B2	7/2009	Bateman et al.	
7,644,927	B2	1/2010	Law	
D617,175	S *	6/2010	Anderson et al.	D8/355
D630,803	S *	1/2011	Lee et al.	D30/199
2005/0116420	A1 *	6/2005	Burgett	273/343
2009/0079136	A1	3/2009	Shalosky	
2009/0315265	A1	12/2009	Ball	

OTHER PUBLICATIONS

Cabela's Limited Spring Edition 2010 Catalog; Your steel target headquarters, 4 pages.  
 Attack Target, website [www.mgmtargets.com](http://www.mgmtargets.com); Mike Gibson Manufacturing; printed Mar. 1, 2010; 5 pages.  
 Owner's Manual for MGM's Attack Target; Mike Gibson Manufacturing; Jul. 4, 2006; 8 pages.  
 Steel Targets, STS Targets, LLC; website [www.ststargets.com](http://www.ststargets.com), printed Mar. 1, 2010; 7 pages.  
 Spring Loaded Steel Targets, LV Steel Targets LLC, website [www.lvsteeltargets.com](http://www.lvsteeltargets.com); printed Mar. 1, 2010; 11 pages.  
 Steel Target Products, Handgun Sports; website [www.handgunsports.com](http://www.handgunsports.com); printed Mar. 1, 2010; 2 pages.  
 Custom Steel Gun Targets, Steel F/X, LLC; website [www.steelf-x.com](http://www.steelf-x.com); printed Mar. 1, 2010; 4 pages.  
 High Quality Steel Targets, Salute Products, Incorporated; website [www.saluteproducts.com](http://www.saluteproducts.com); printed Mar. 1, 2010; 5 pages.  
 Wooden-Knockers Target Stands and Wooden Knockers; The Pistoleer; website [www.pistoleer.com](http://www.pistoleer.com); printed Mar. 1, 2010; 2 pages.  
 The Duelist Competition Target Stand; The Pistoleer; website [www.pistoleer.com](http://www.pistoleer.com); printed Mar. 1, 2010, 2 pages.  
 Metal Spinning Targets; Metal Spinning Targets, Inc.; website [www.metaltargets.com](http://www.metaltargets.com); printed Mar. 1, 2010; 3 pages.  
 Action Target Online Store; website [www.shopactiontarget.com](http://www.shopactiontarget.com); printed Mar. 1, 2010, 1 page.

\* cited by examiner



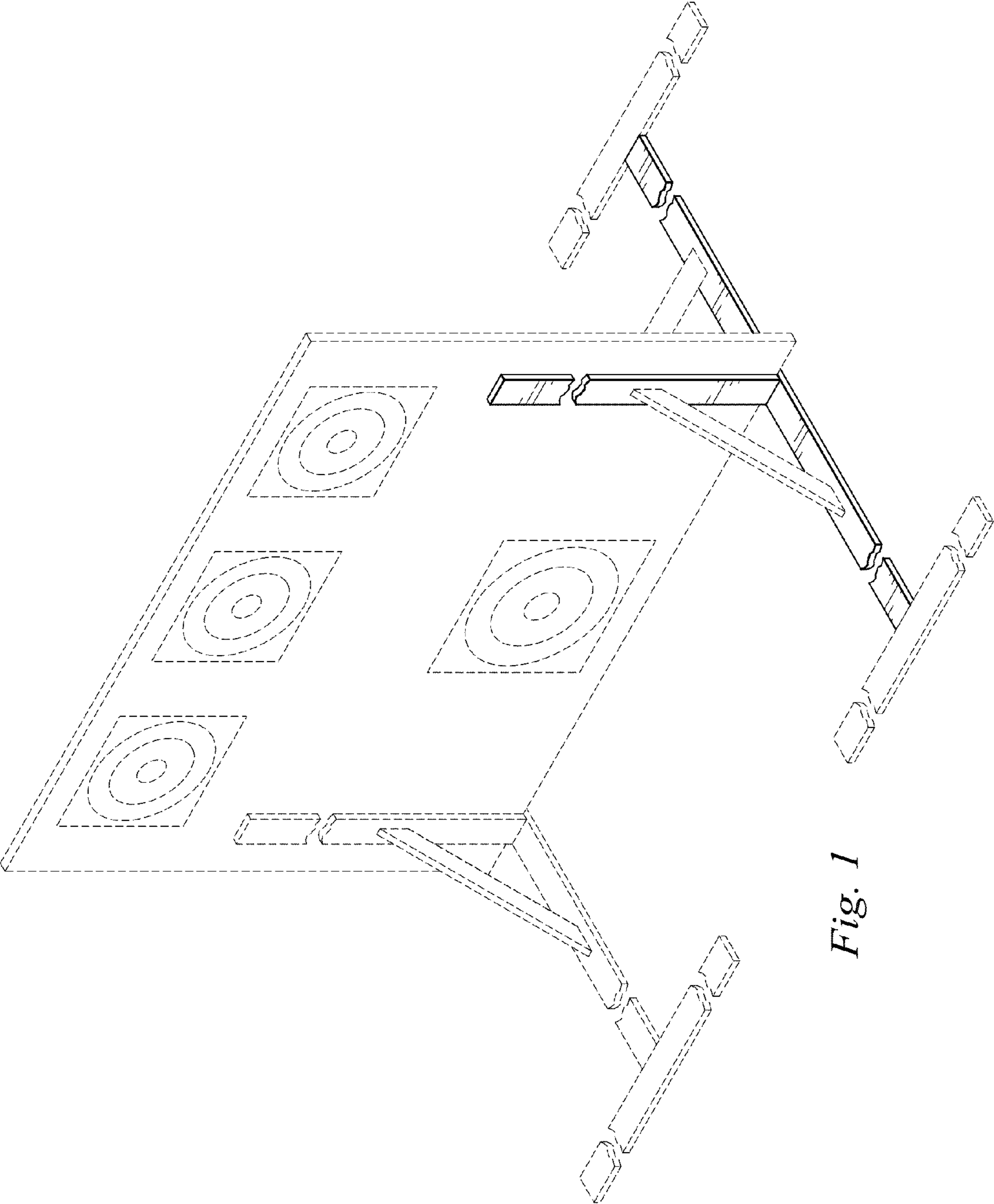
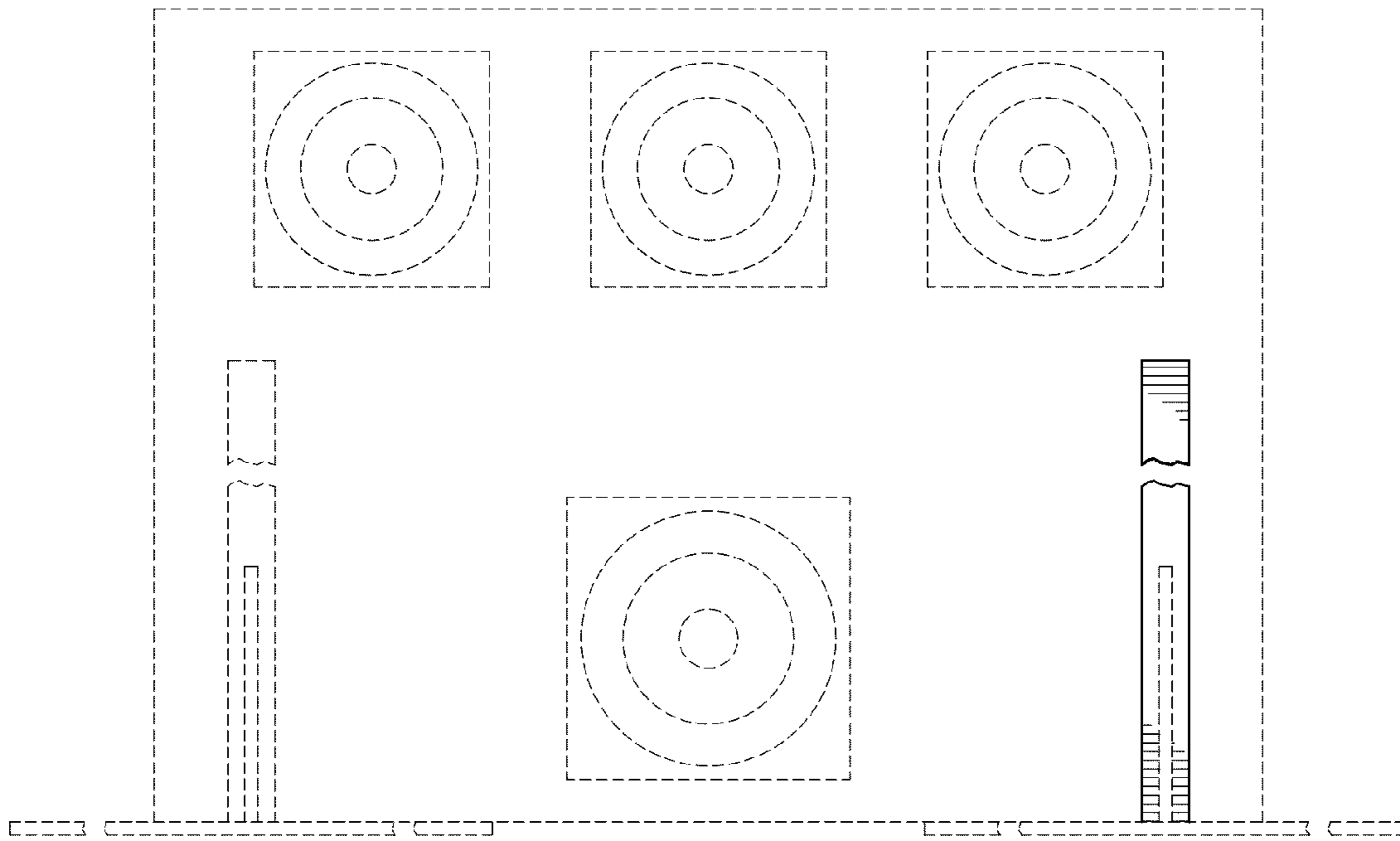
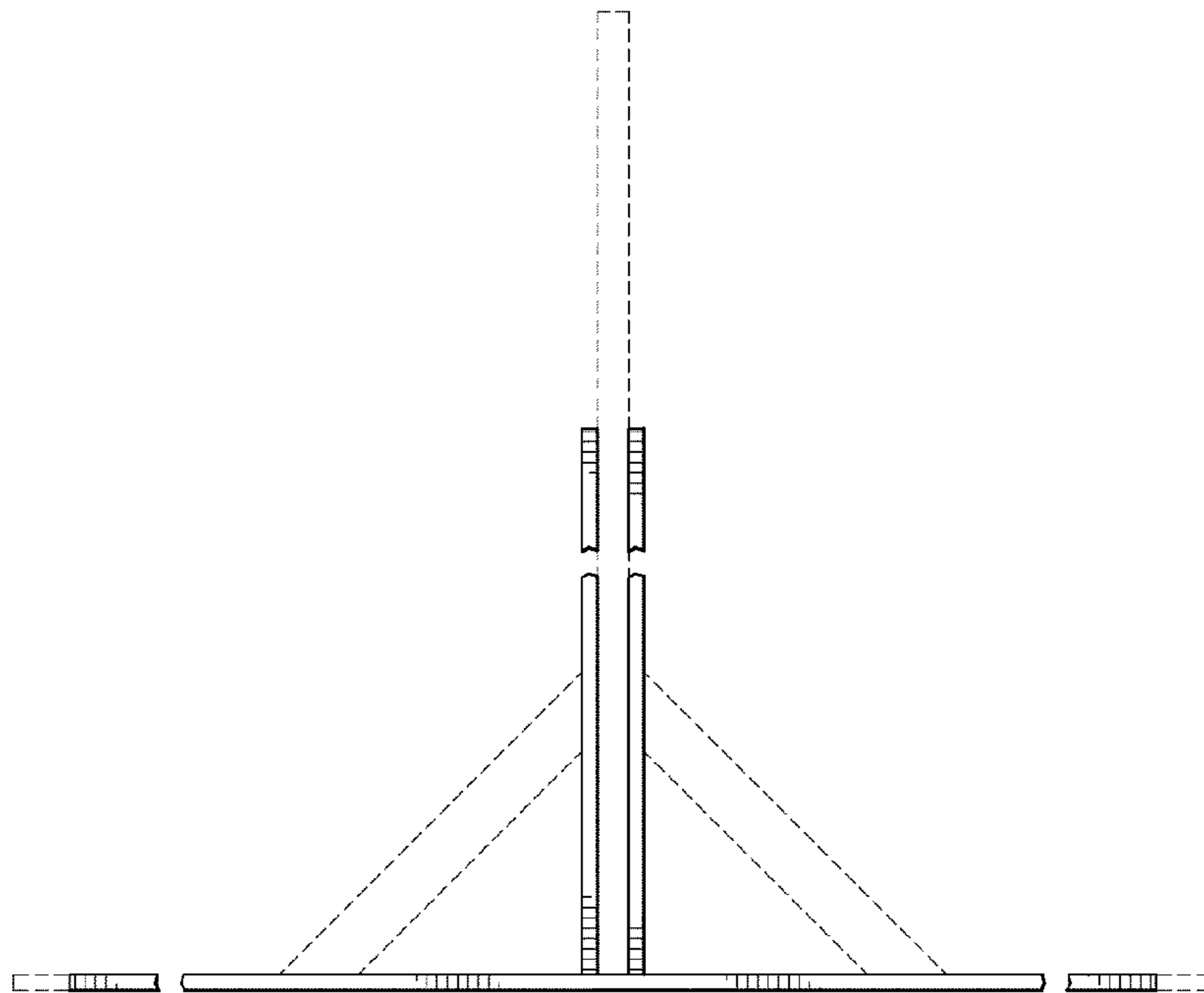


Fig. 1



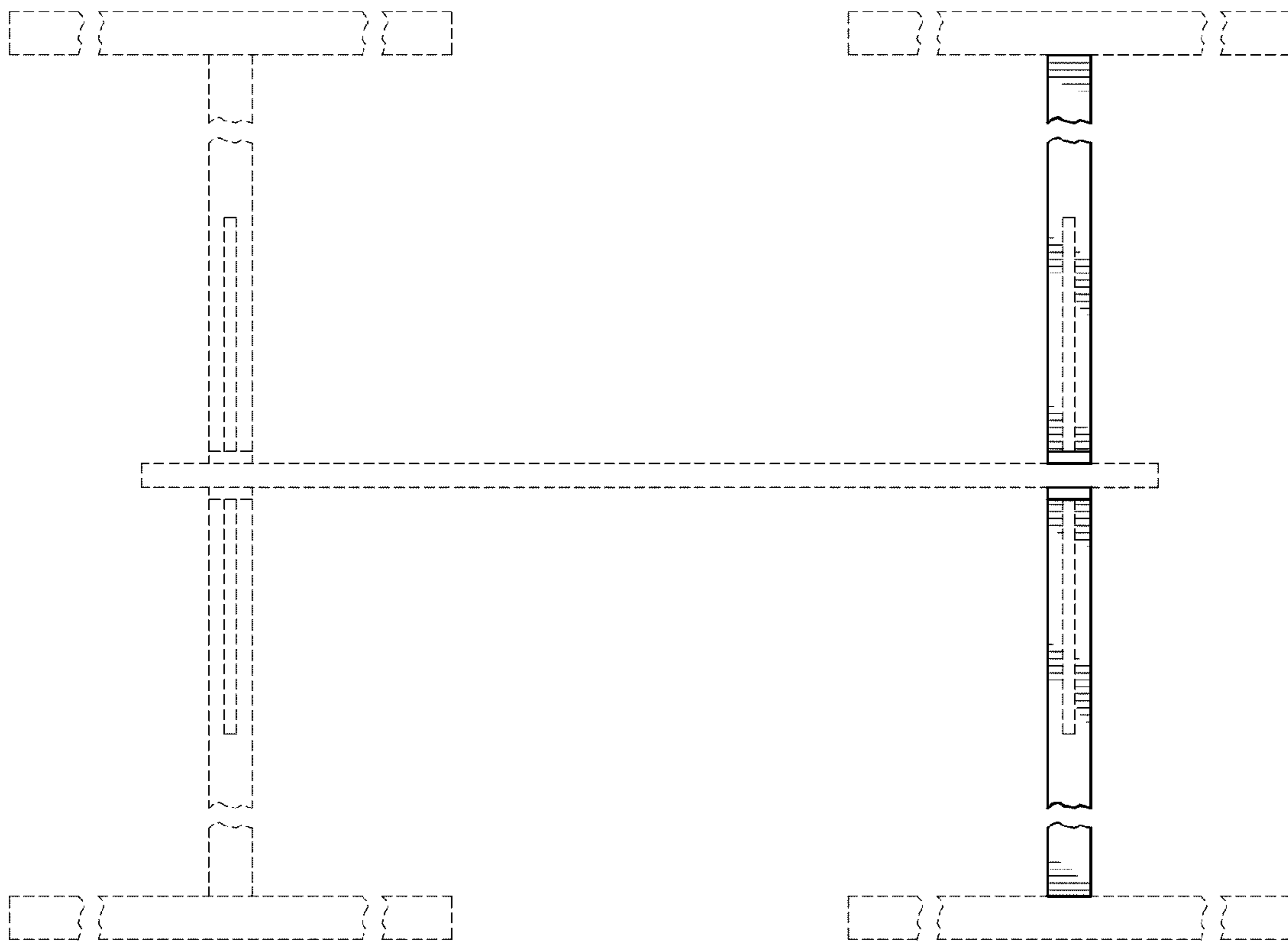
*Fig. 2*



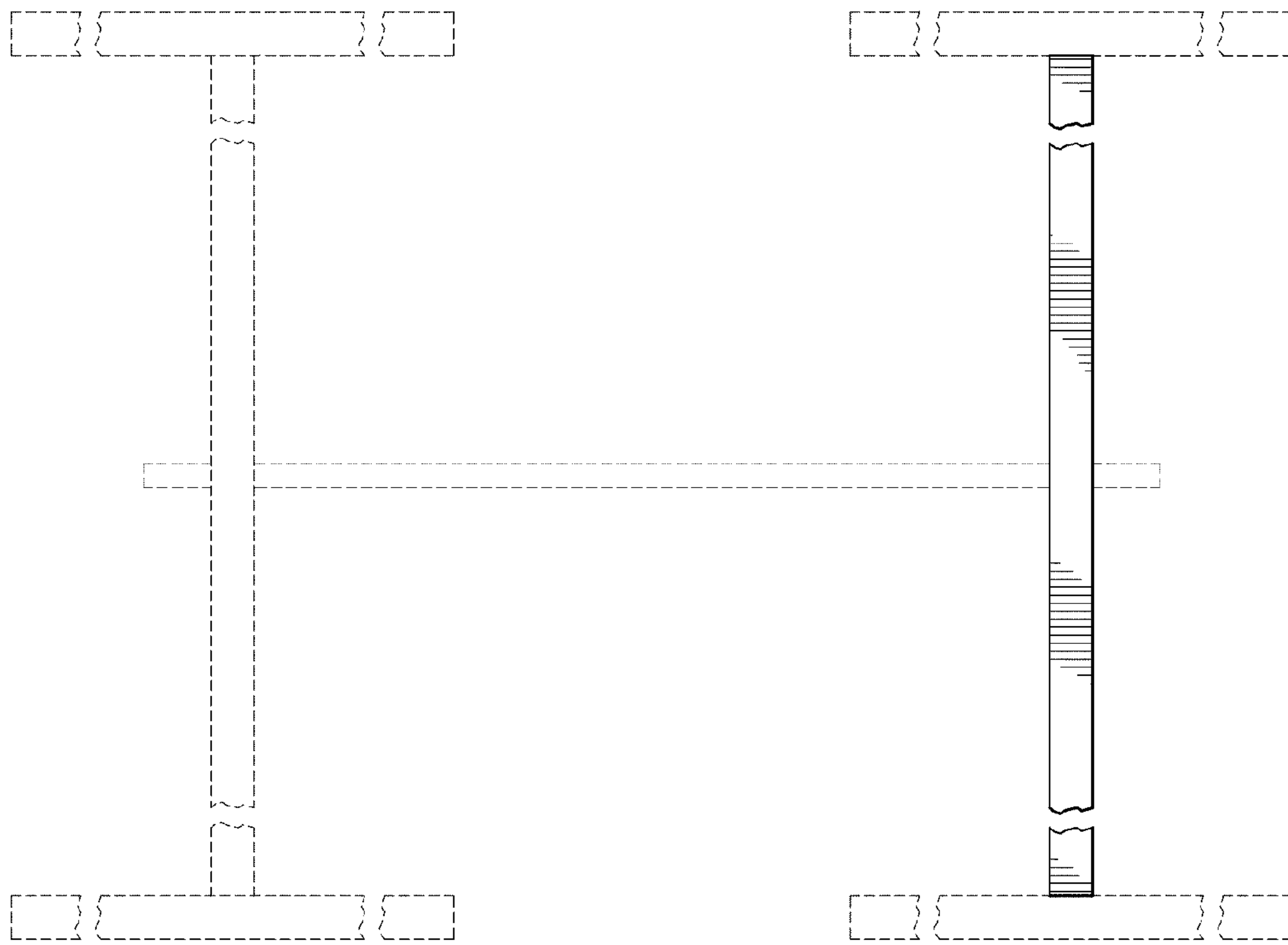
*Fig. 3*



*Fig. 4*



*Fig. 5*



*Fig. 6*

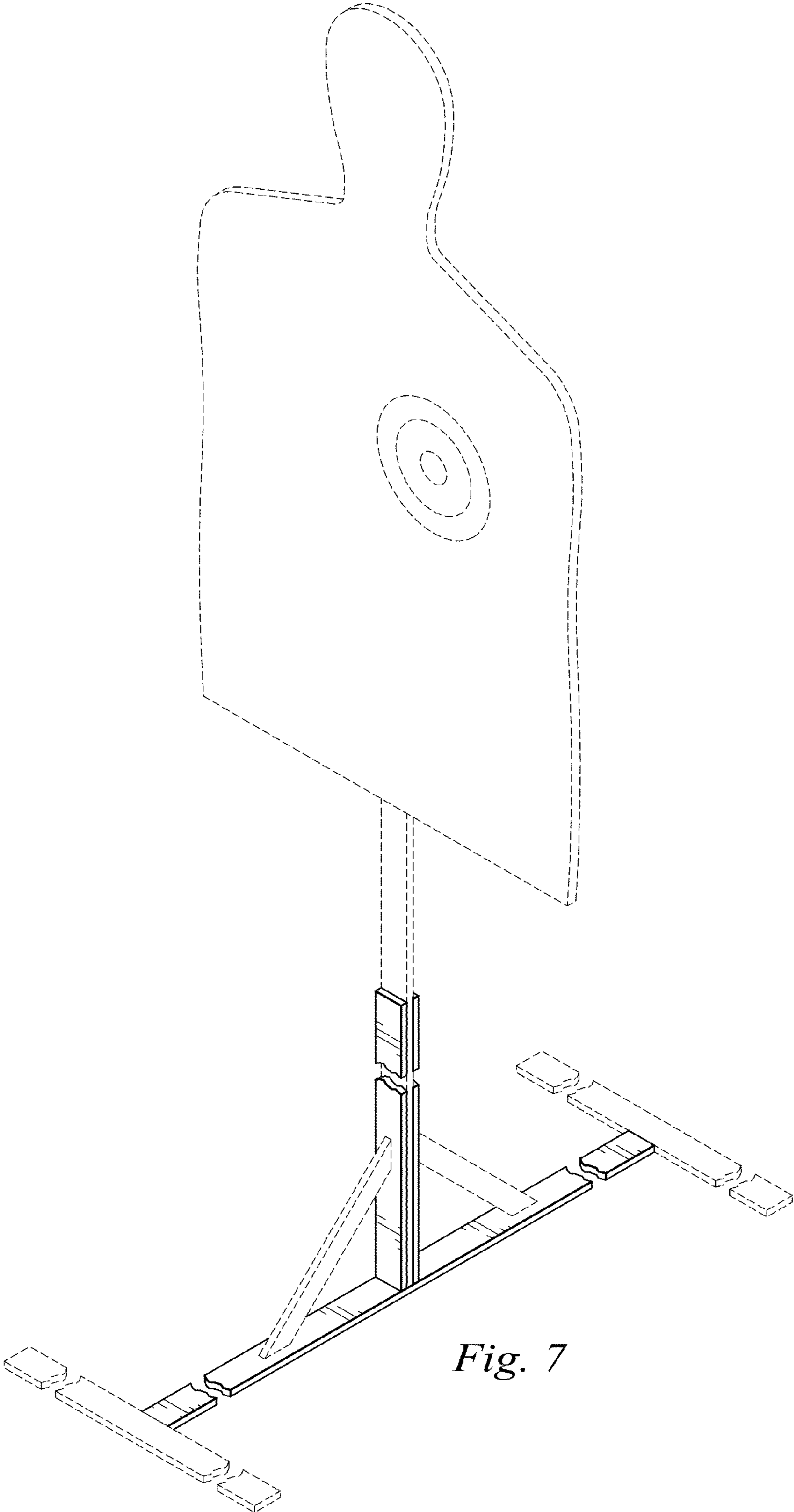
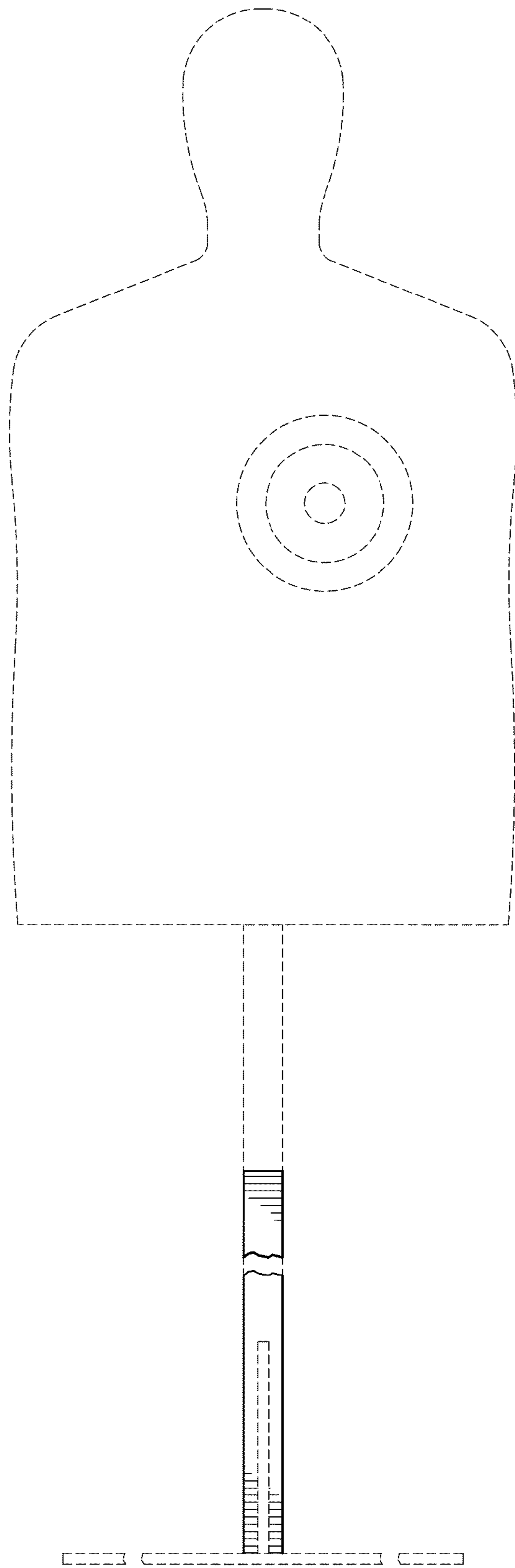
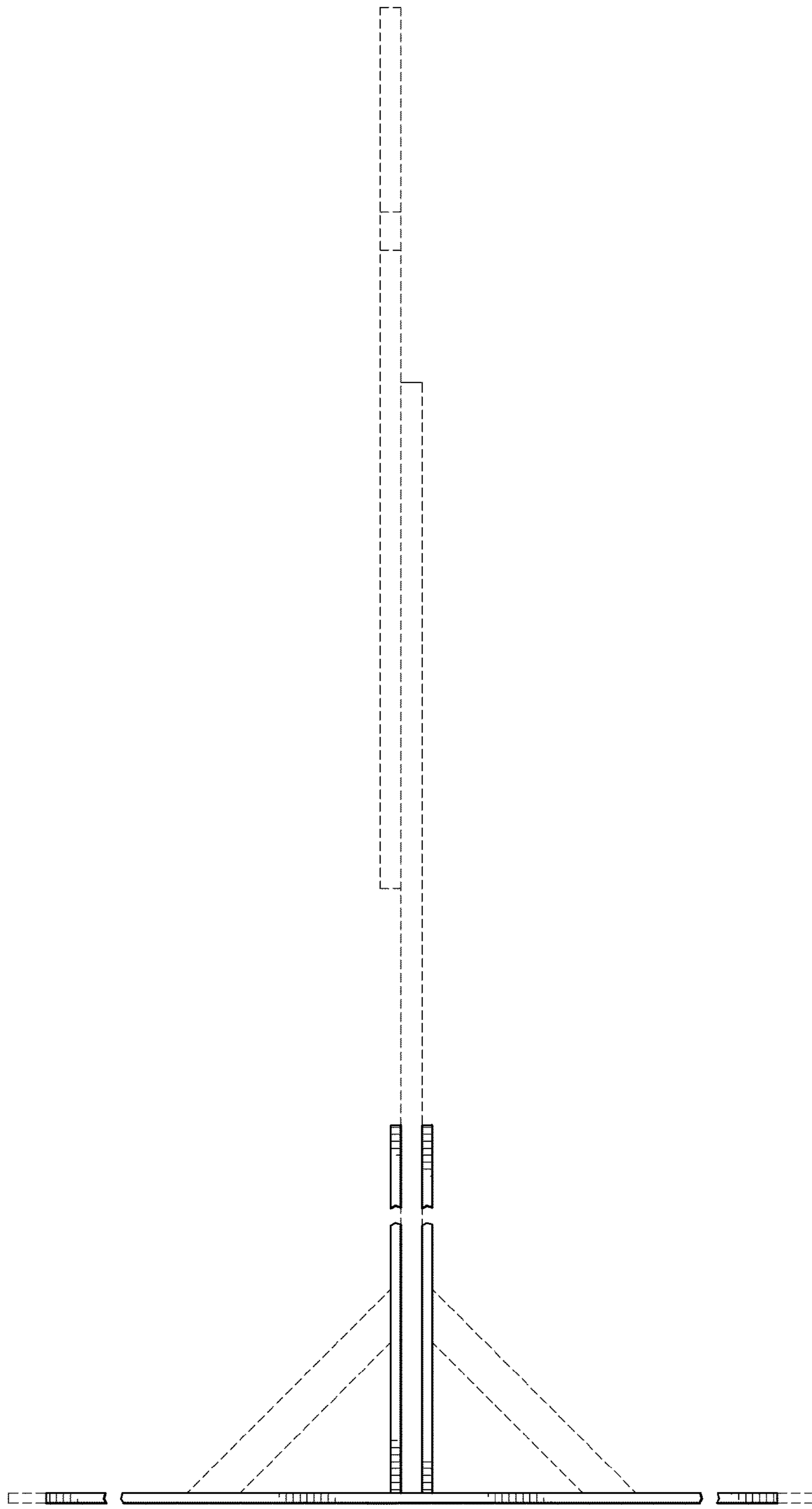


Fig. 7

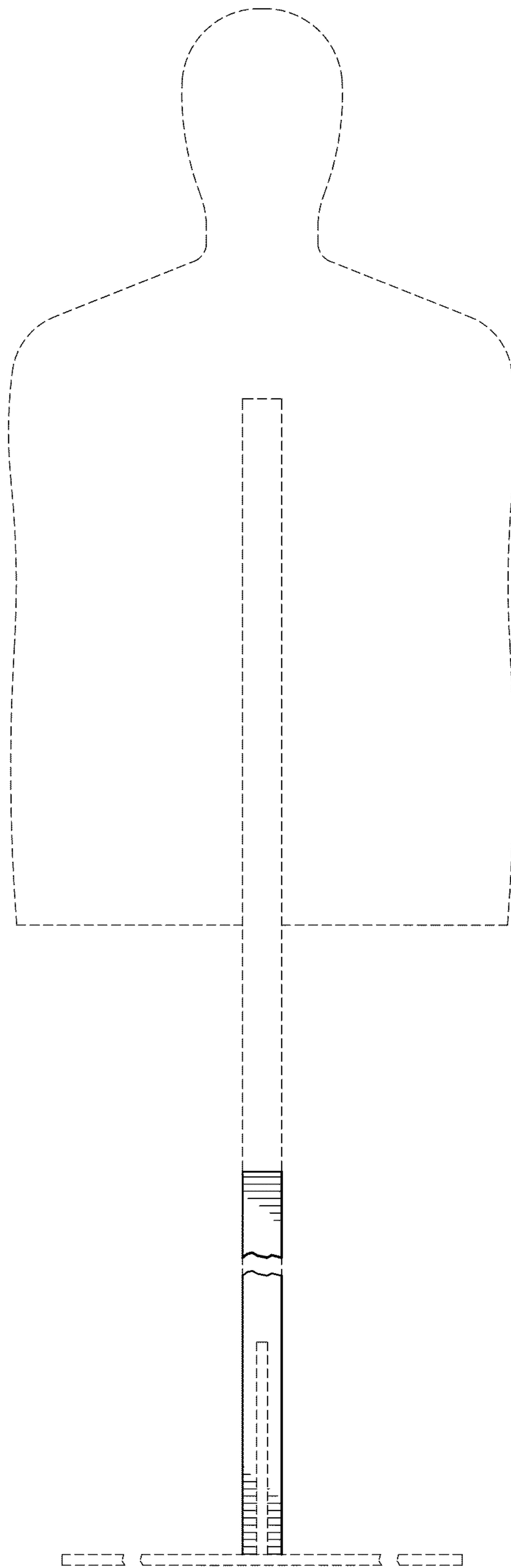


*Fig. 8*

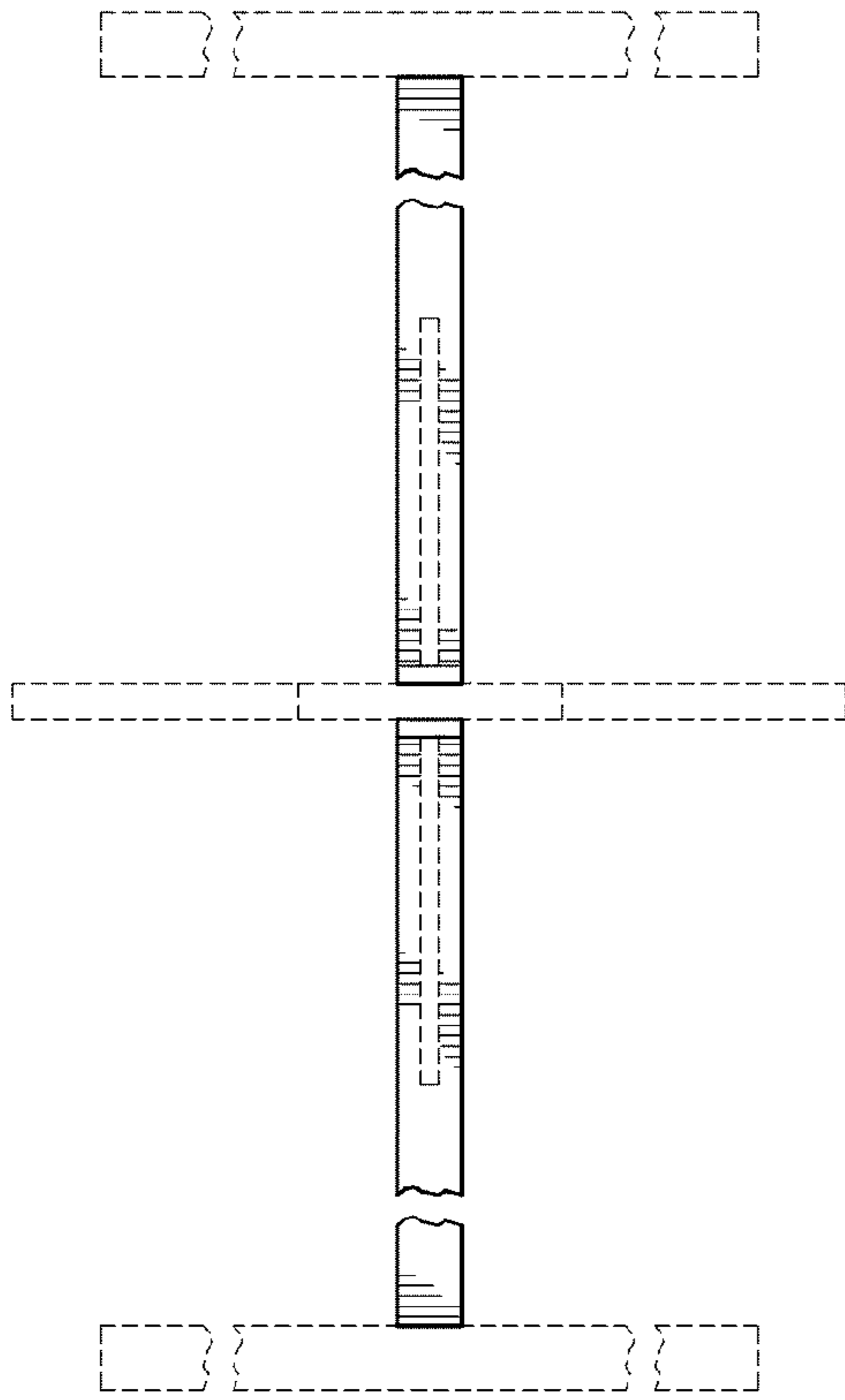




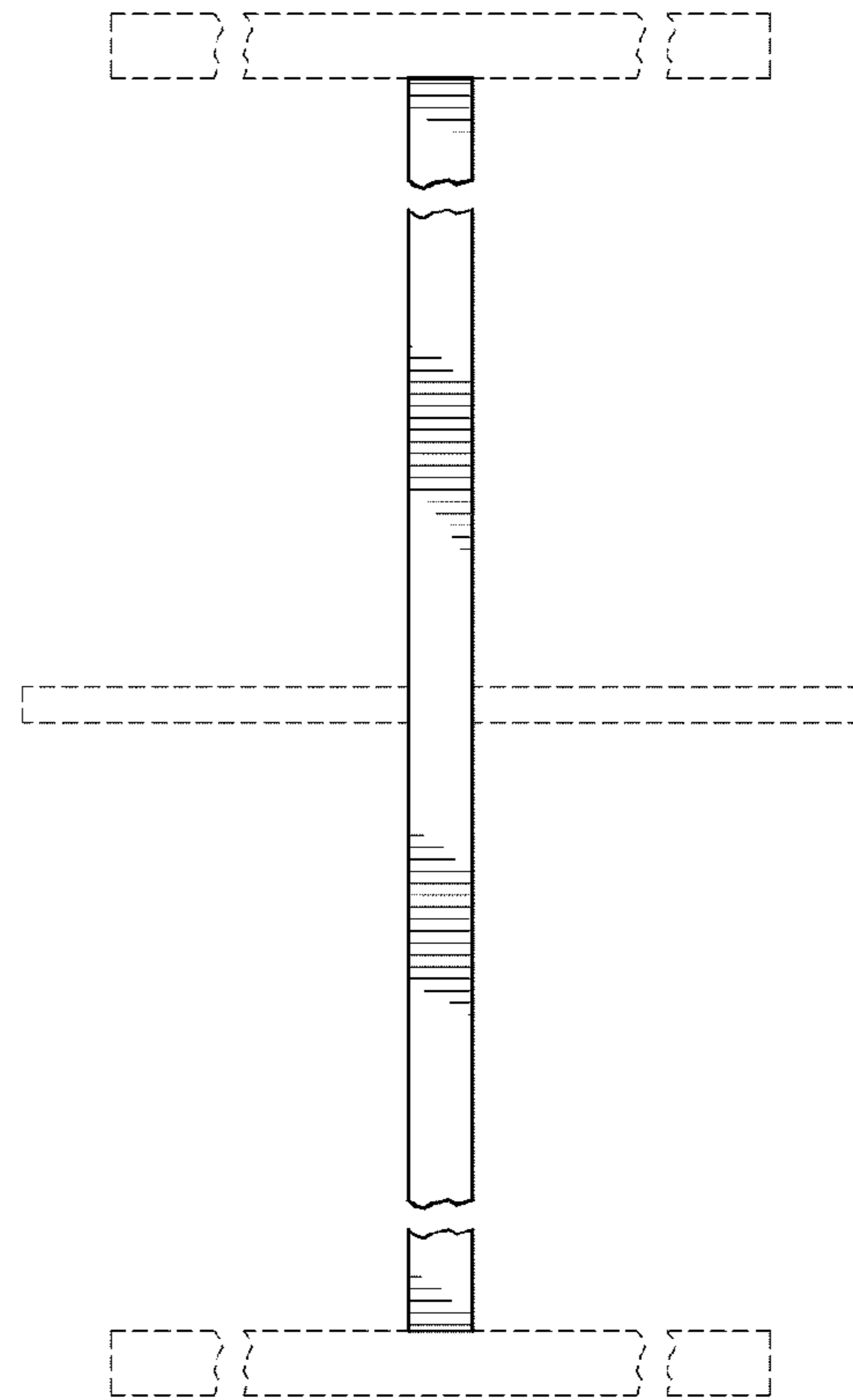
*Fig. 9*



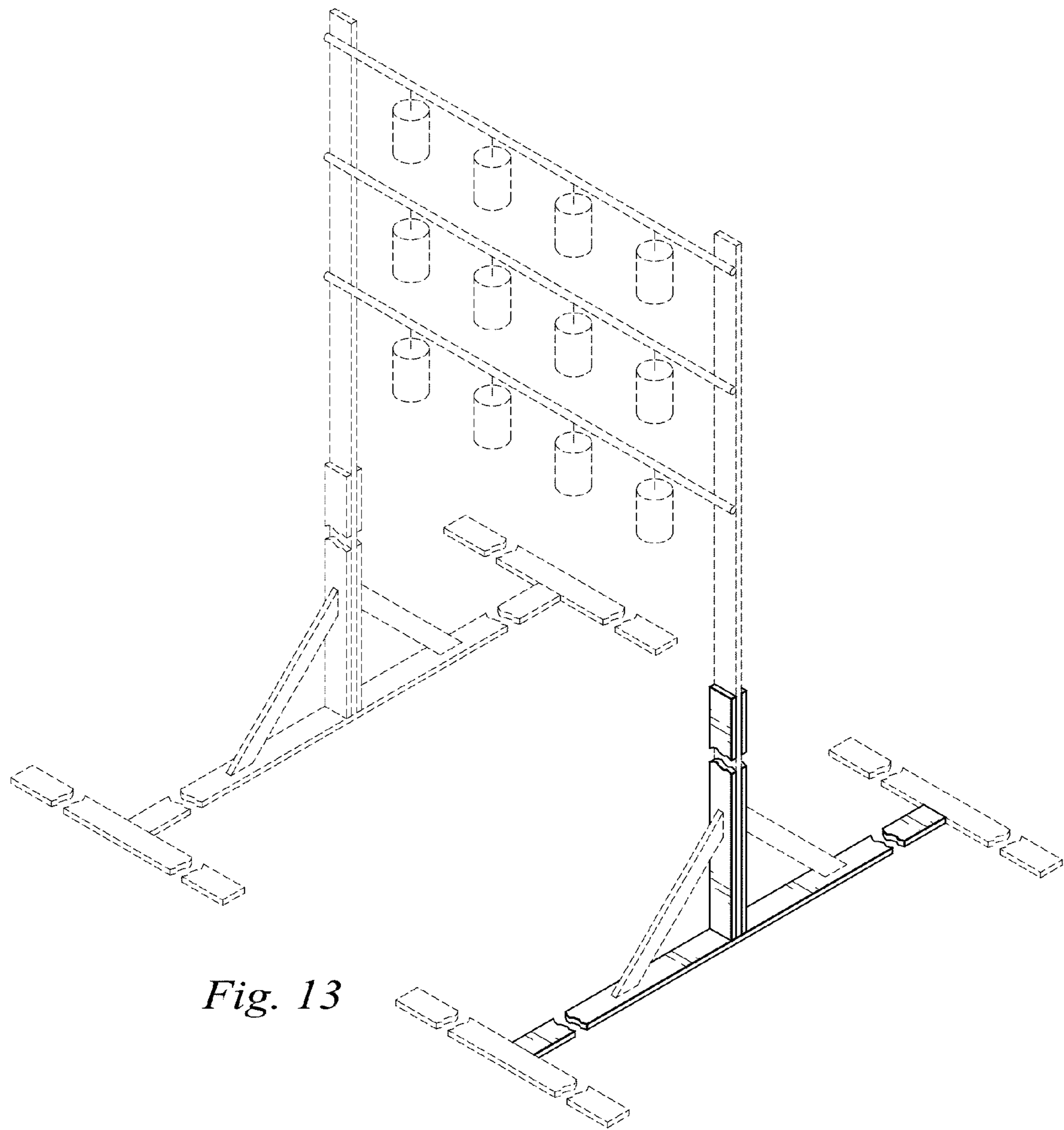
*Fig. 10*



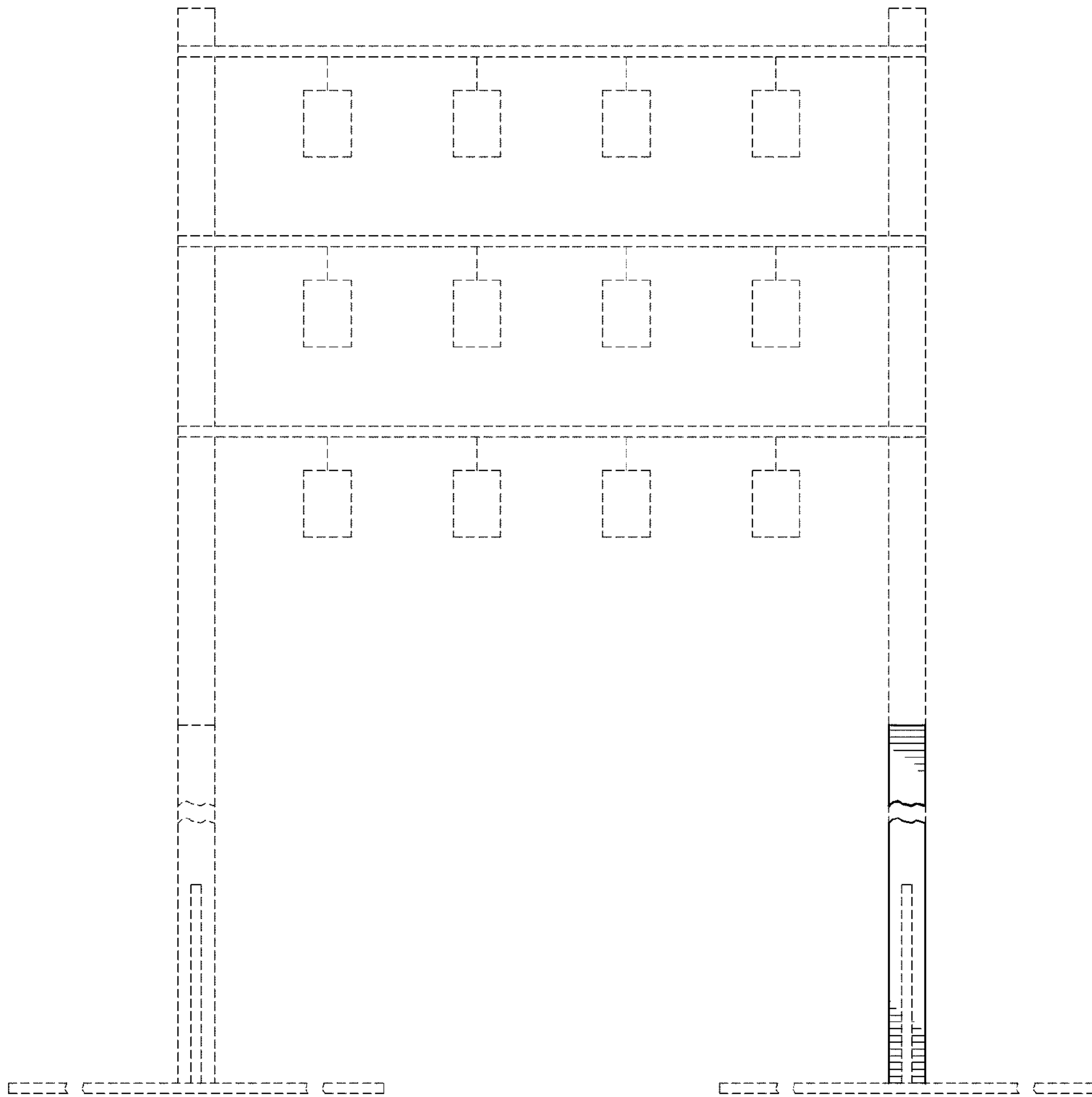
*Fig. 11*



*Fig. 12*

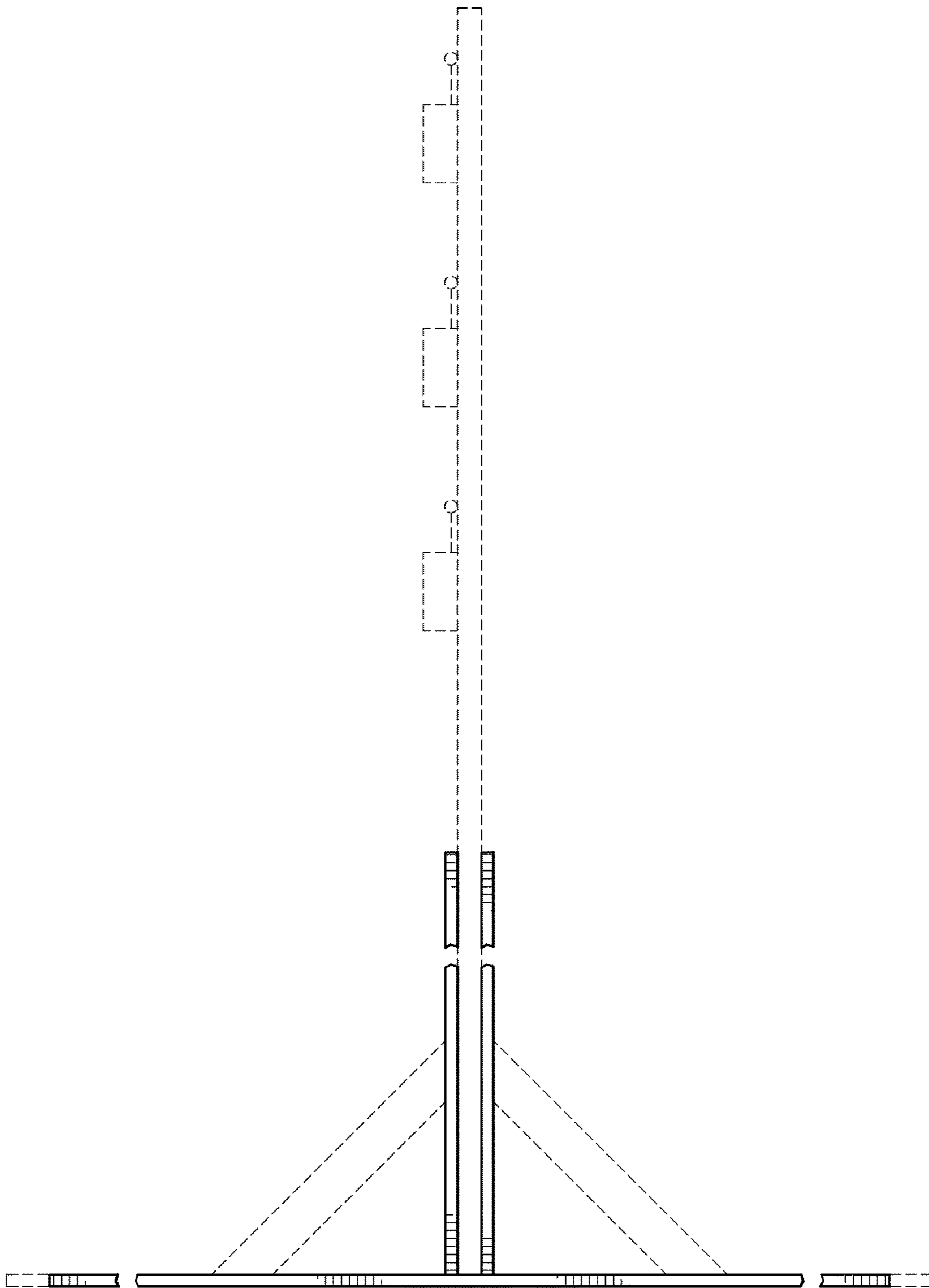


*Fig. 13*

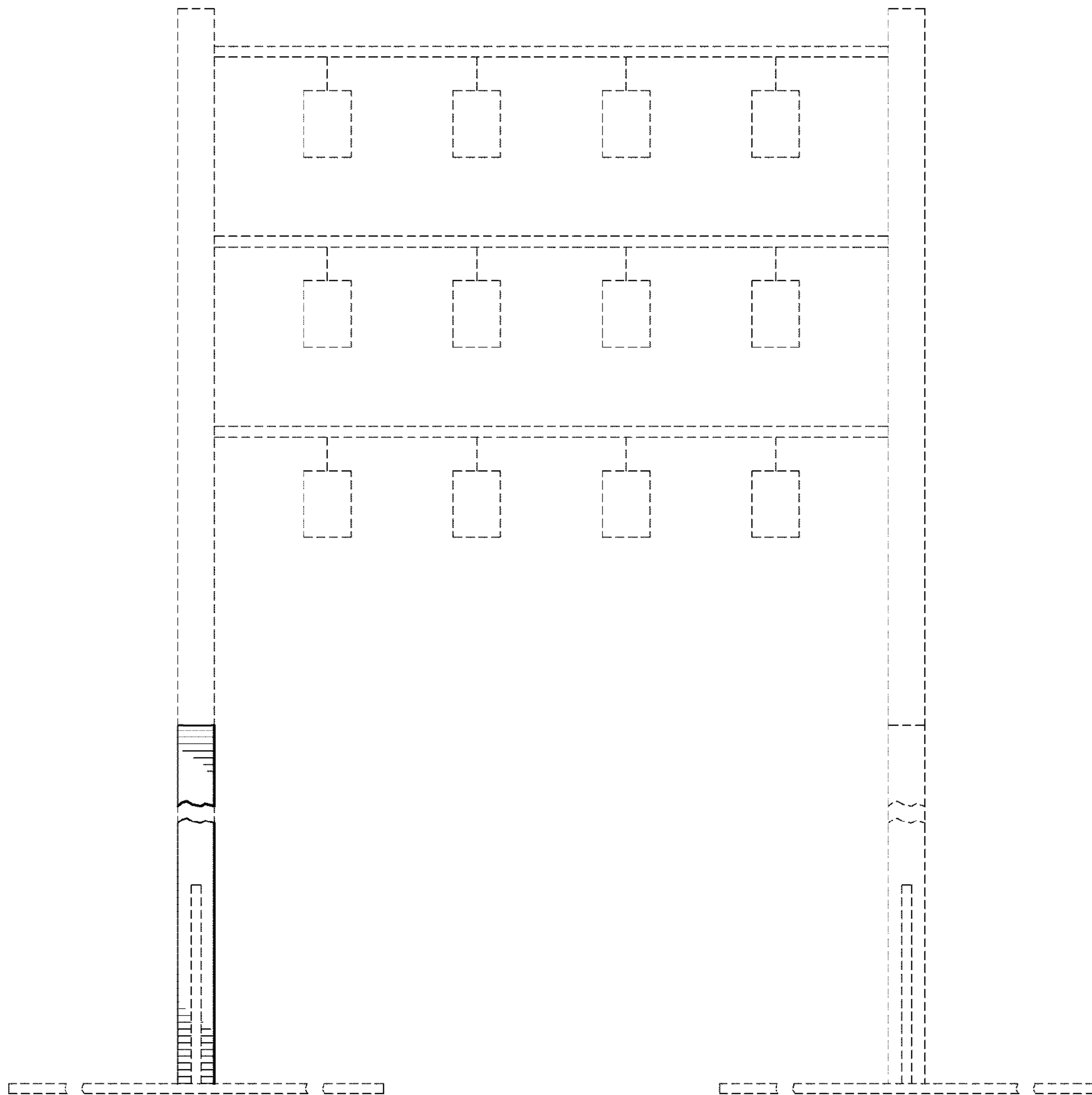


*Fig. 14*

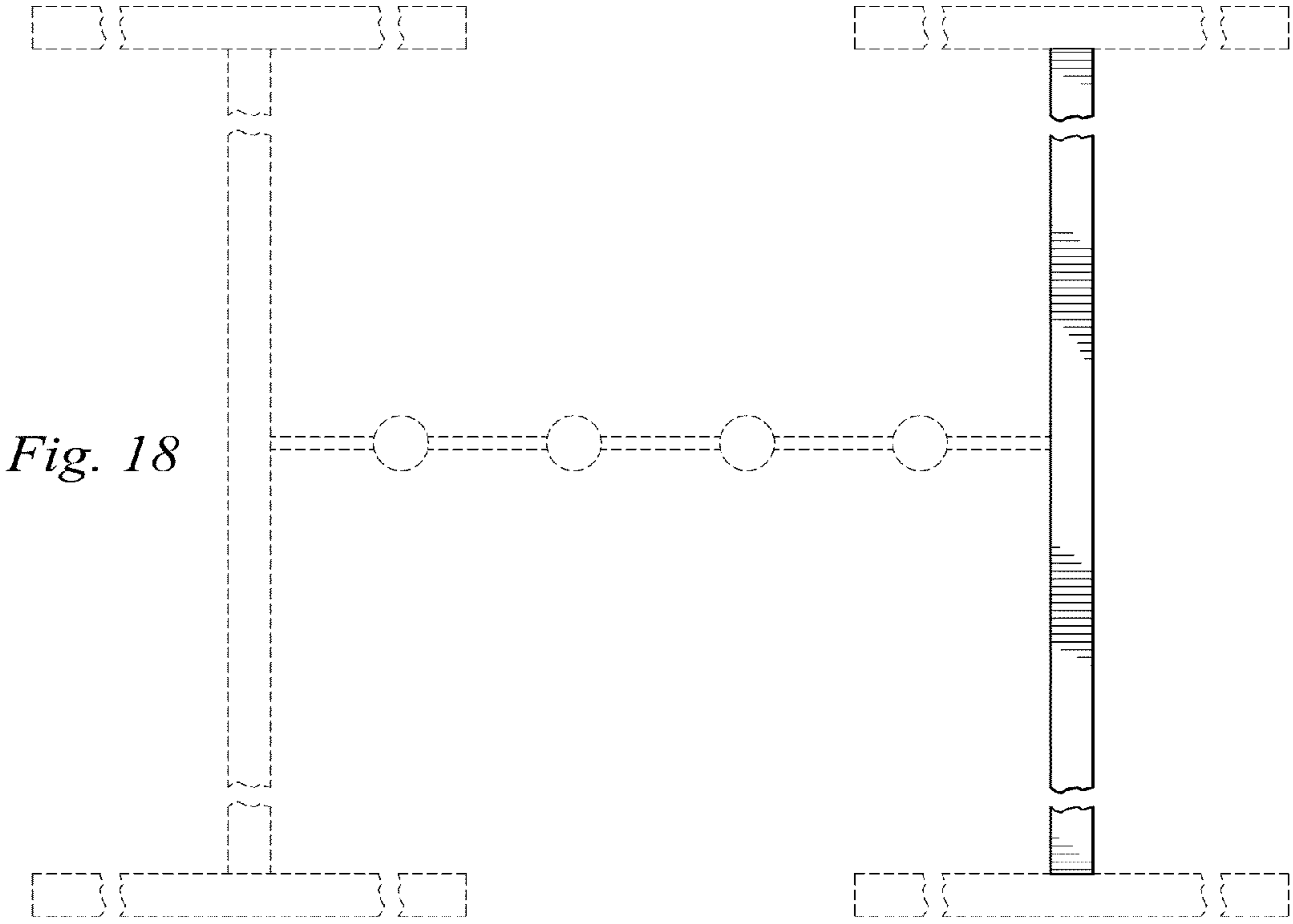
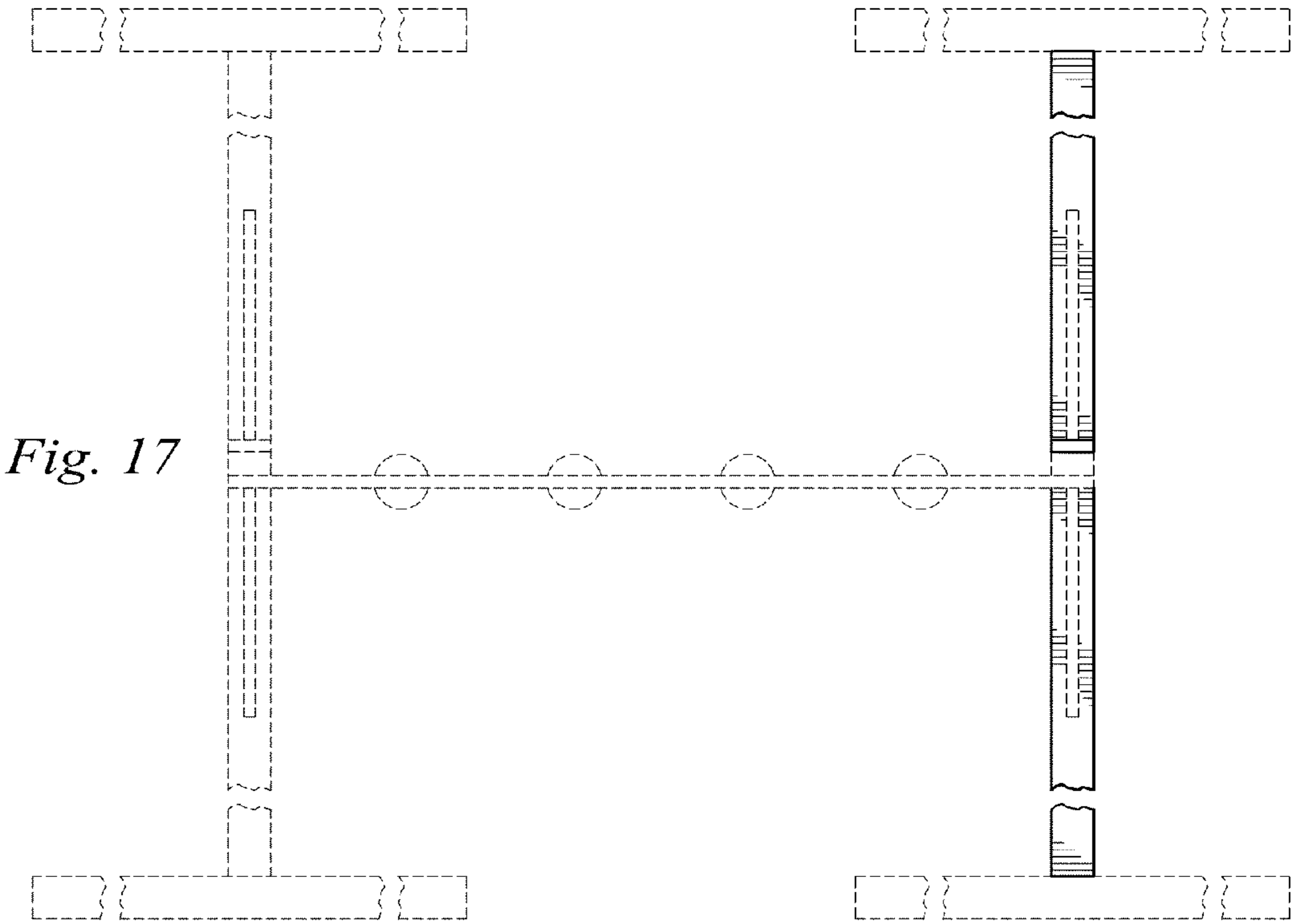


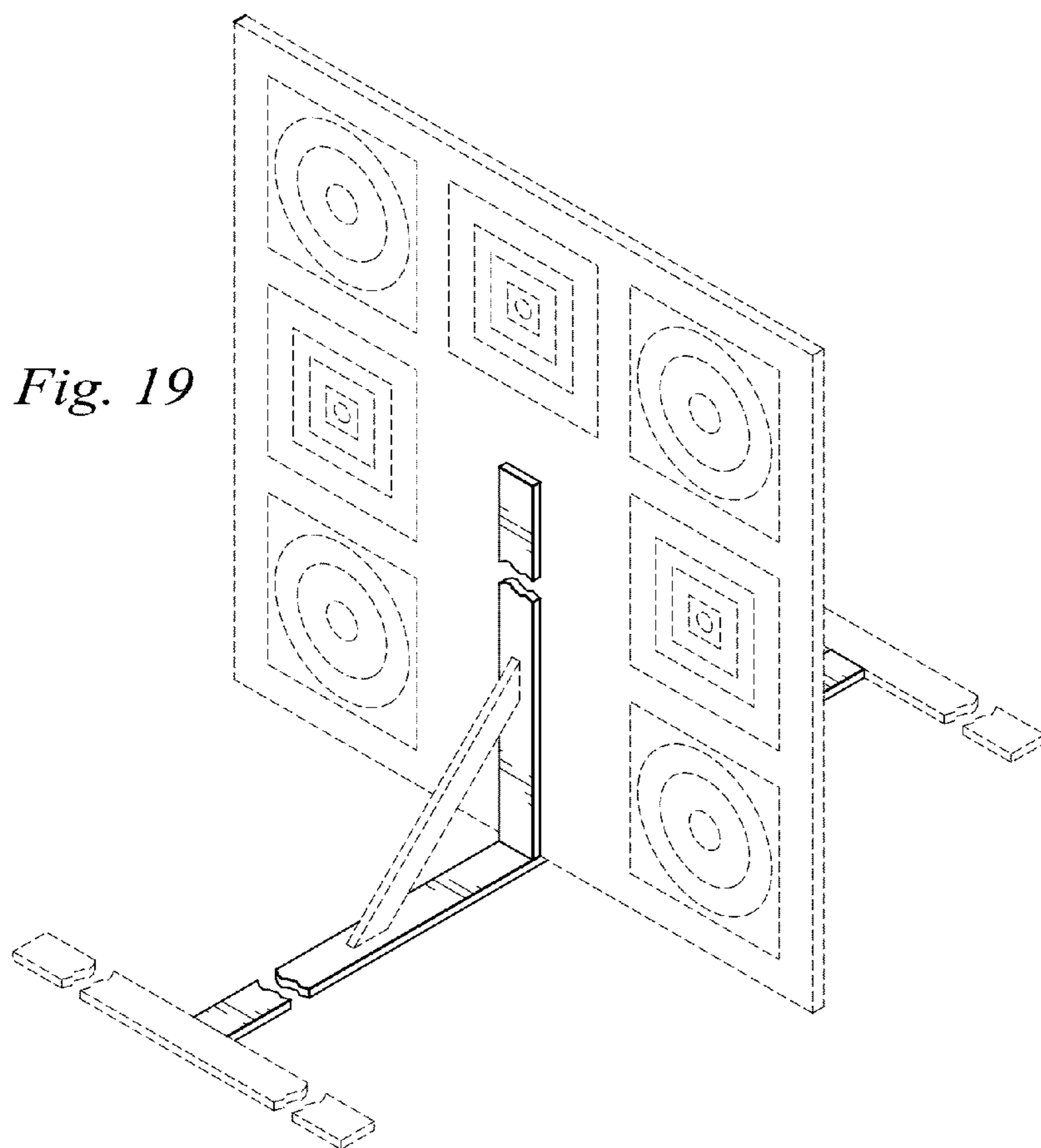


*Fig. 15*

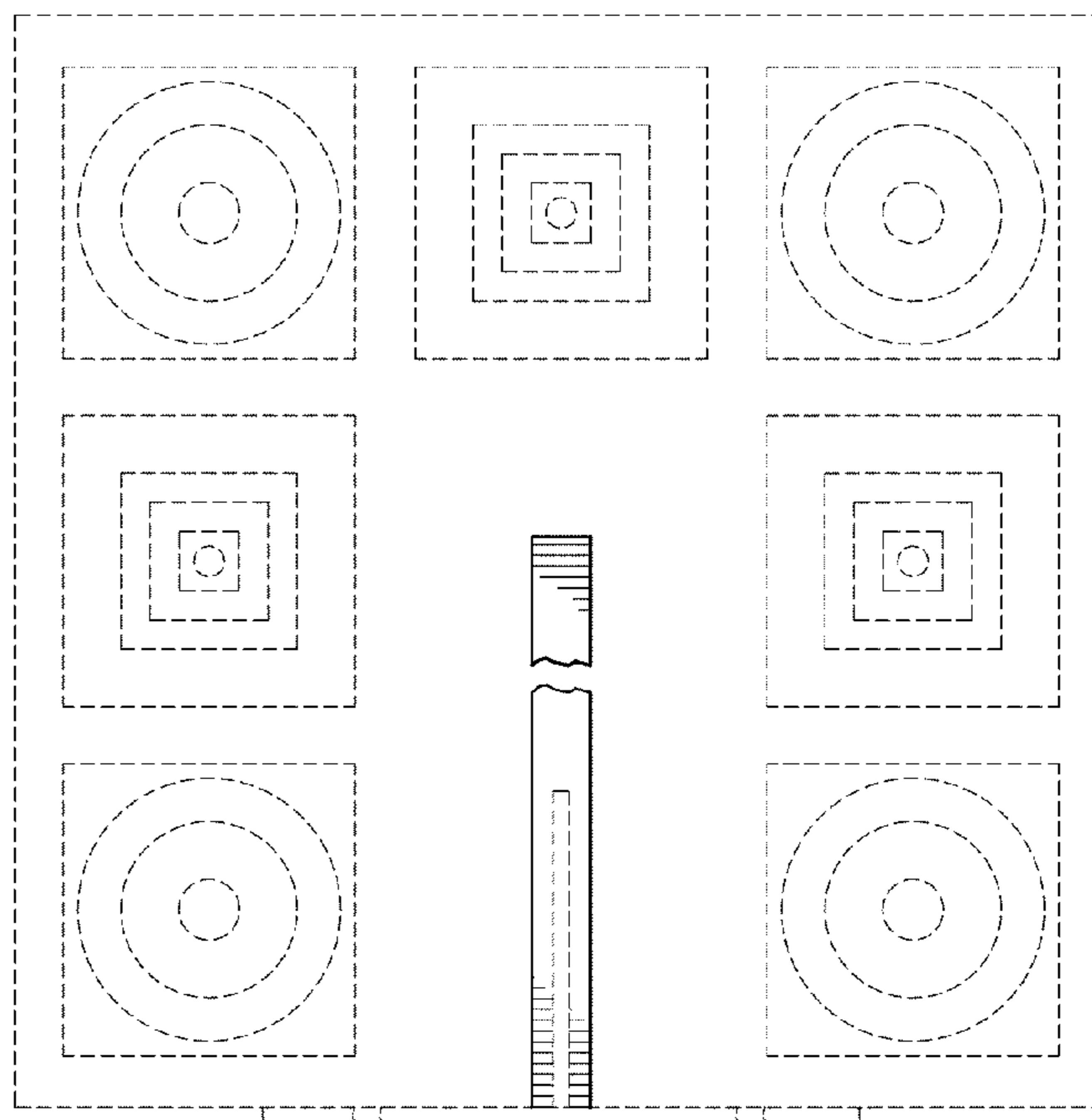


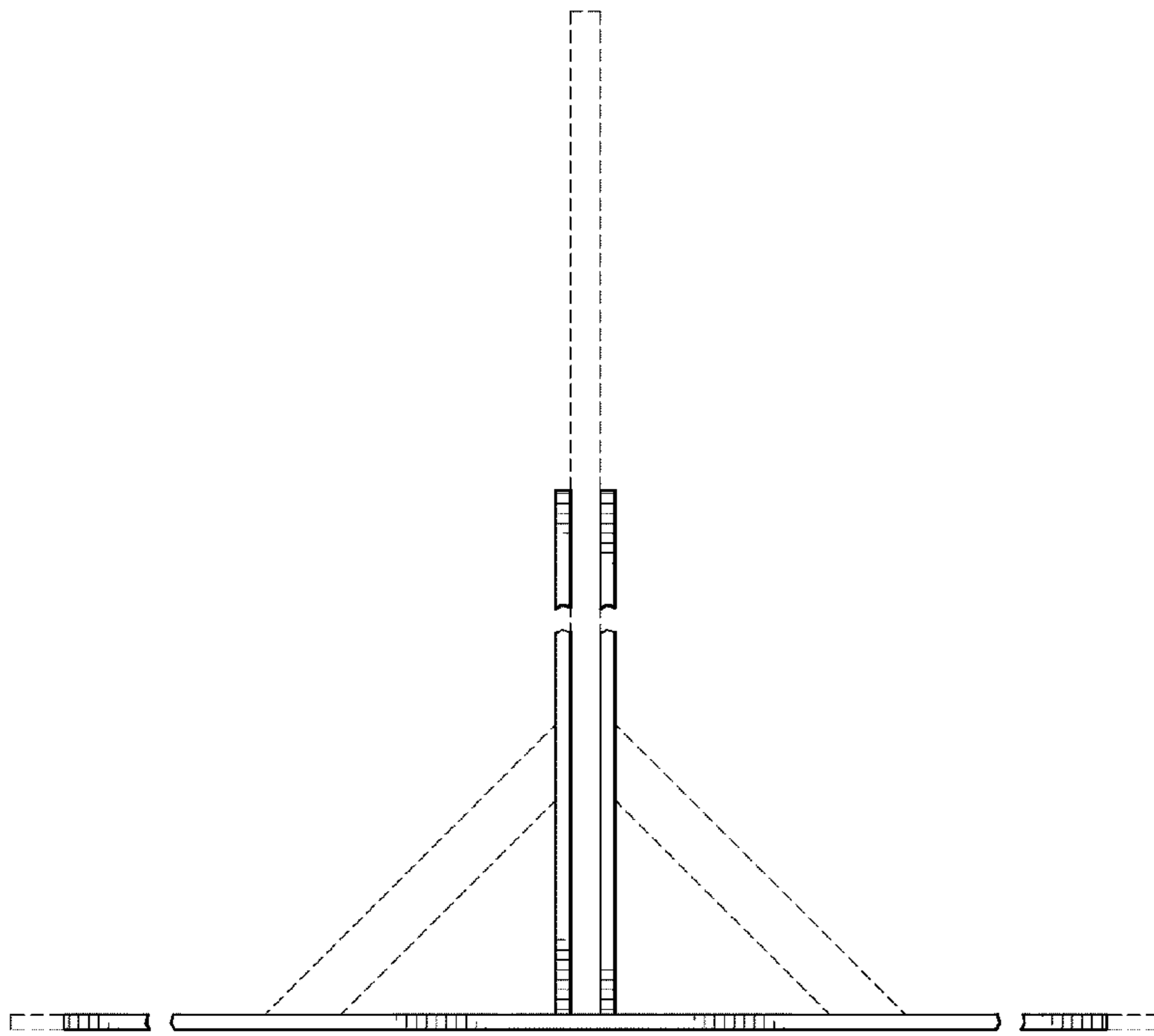
*Fig. 16*



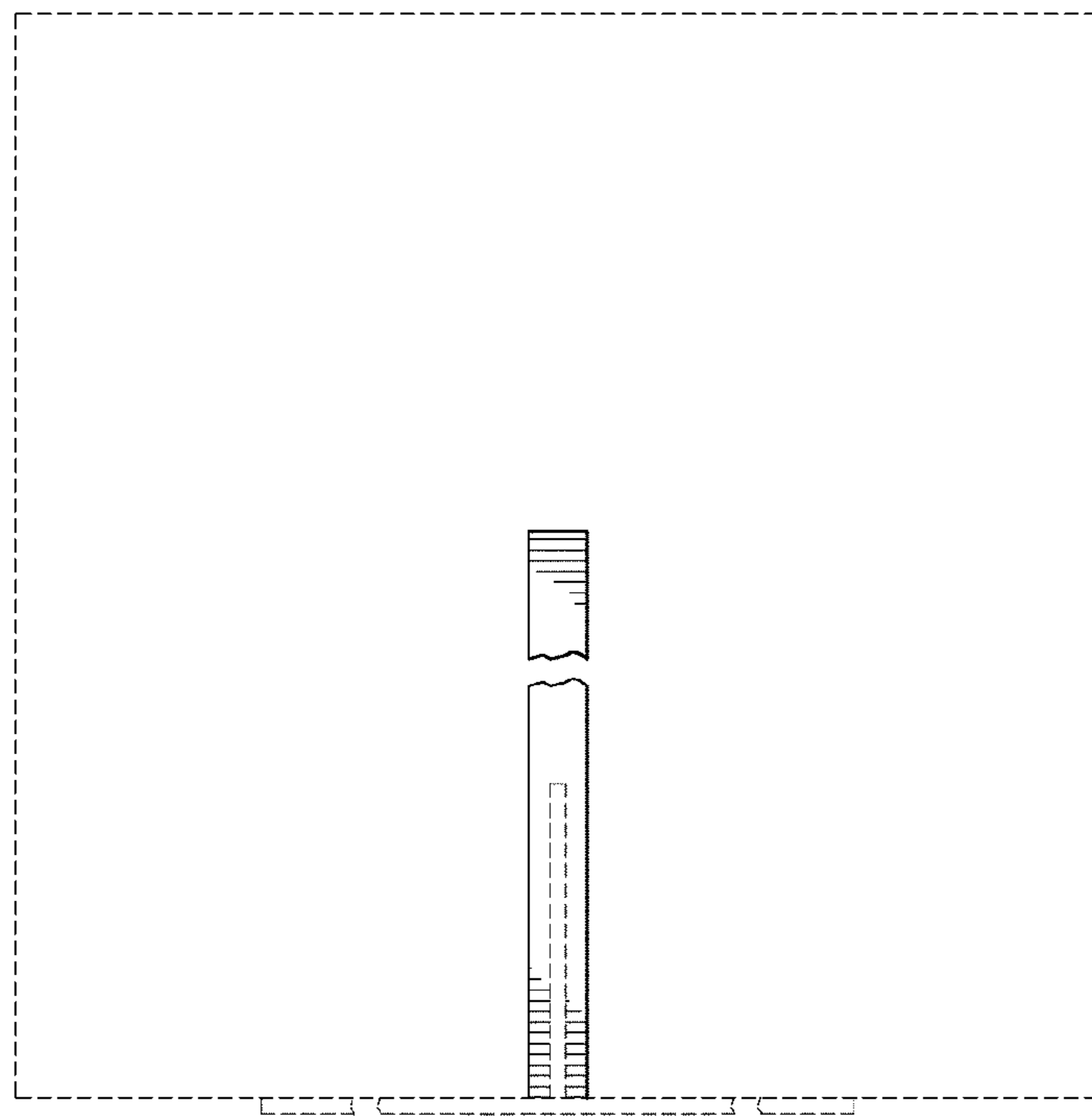


*Fig. 20*





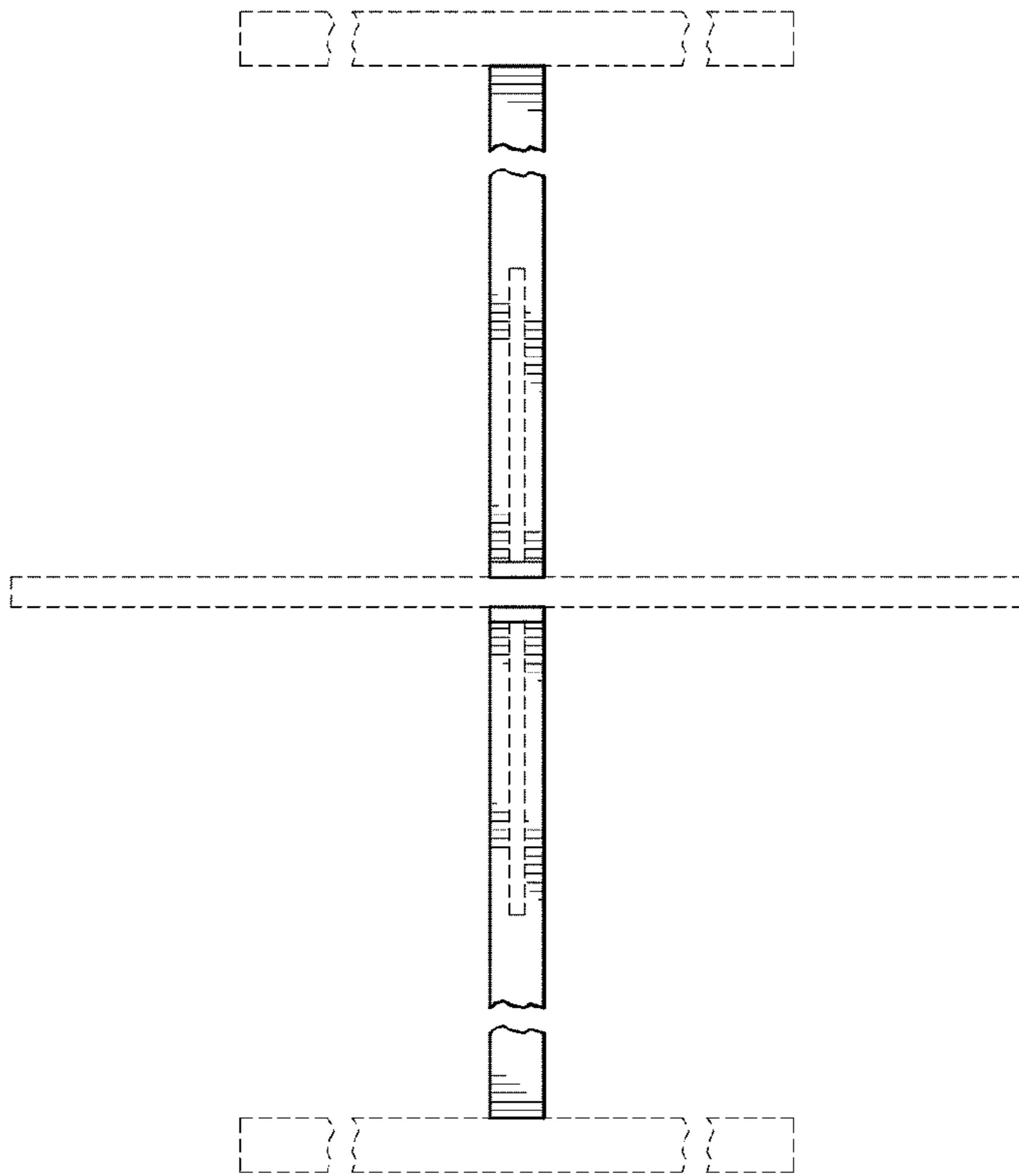
*Fig. 21*



*Fig. 22*



*Fig. 23*



*Fig. 24*

