



US00D647993S

(12) **United States Design Patent**
Reid

(10) **Patent No.:** **US D647,993 S**
(45) **Date of Patent:** **** Nov. 1, 2011**

(54) **TELESCOPIC SWIMMING AND EXERCISE DEVICE**

(76) Inventor: **Lawrance R. Reid**, Sarasota, FL (US)

(**) Term: **14 Years**

(21) Appl. No.: **29/388,534**

(22) Filed: **Mar. 30, 2011**

(51) **LOC (9) Cl.** **21-06**

(52) **U.S. Cl.** **D21/804**

(58) **Field of Classification Search** D21/678,
D21/801-804, 806, 807, 810; 482/55, 56;
D24/188, 128; 441/55, 56, 58, 60, 61; D28/7,
D28/91.2

See application file for complete search history.

(56) **References Cited**

U.S. PATENT DOCUMENTS

2,684,109	A	7/1954	Youmans	
3,512,416	A	5/1970	Hohwart	
3,945,068	A *	3/1976	Carbonero	441/56
4,095,657	A	6/1978	Hohwart	
4,157,181	A	6/1979	Cecka	
4,247,096	A	1/1981	Schmitt	
4,486,016	A	12/1984	Rubin	
4,527,795	A *	7/1985	Zink	482/55
4,530,497	A	7/1985	Moran et al.	
4,619,548	A	10/1986	Kazaoka et al.	
4,622,772	A	11/1986	Cawley et al.	
5,069,570	A	12/1991	Pryor et al.	
5,078,349	A	1/1992	Smith	
5,175,952	A	1/1993	Yamato	
5,385,521	A *	1/1995	Weissbuch	482/55
5,450,956	A	9/1995	Peckenpaugh, Sr. et al.	
5,467,740	A	11/1995	Redwine	
5,479,872	A	1/1996	Hulett	
5,568,922	A	10/1996	Siddle	
5,579,557	A	12/1996	Boden	

5,690,552	A	11/1997	Siddle	
5,826,847	A	10/1998	Warner et al.	
5,921,441	A	7/1999	Small et al.	
6,056,643	A	5/2000	Wilmoth, III	
6,308,653	B1	10/2001	Geraci	
6,905,080	B2	6/2005	Pohorecki	
7,166,046	B1	1/2007	Liu	
7,185,598	B1 *	3/2007	Lan et al.	114/215
7,421,933	B1	9/2008	Pearson	
7,491,126	B2	2/2009	Jung	
7,563,206	B1	7/2009	Bellerive	
7,846,072	B1	12/2010	Bellerive	
2009/0072528	A1	3/2009	Stickney et al.	

* cited by examiner

Primary Examiner — Zenia Bennett

(74) *Attorney, Agent, or Firm* — Charles J. Prescott

(57) **CLAIM**

The ornamental design for a telescopic swimming and exercise device, as shown and described.

DESCRIPTION

FIG. 1 is a perspective view of a telescopic swimming and exercise device showing my new design in a collapsed storage position;

FIG. 2 is a side elevation view of FIG. 1;

FIG. 3 is a side elevation view of FIG. 2;

FIG. 4 is an enlarged left end elevation view of FIG. 1;

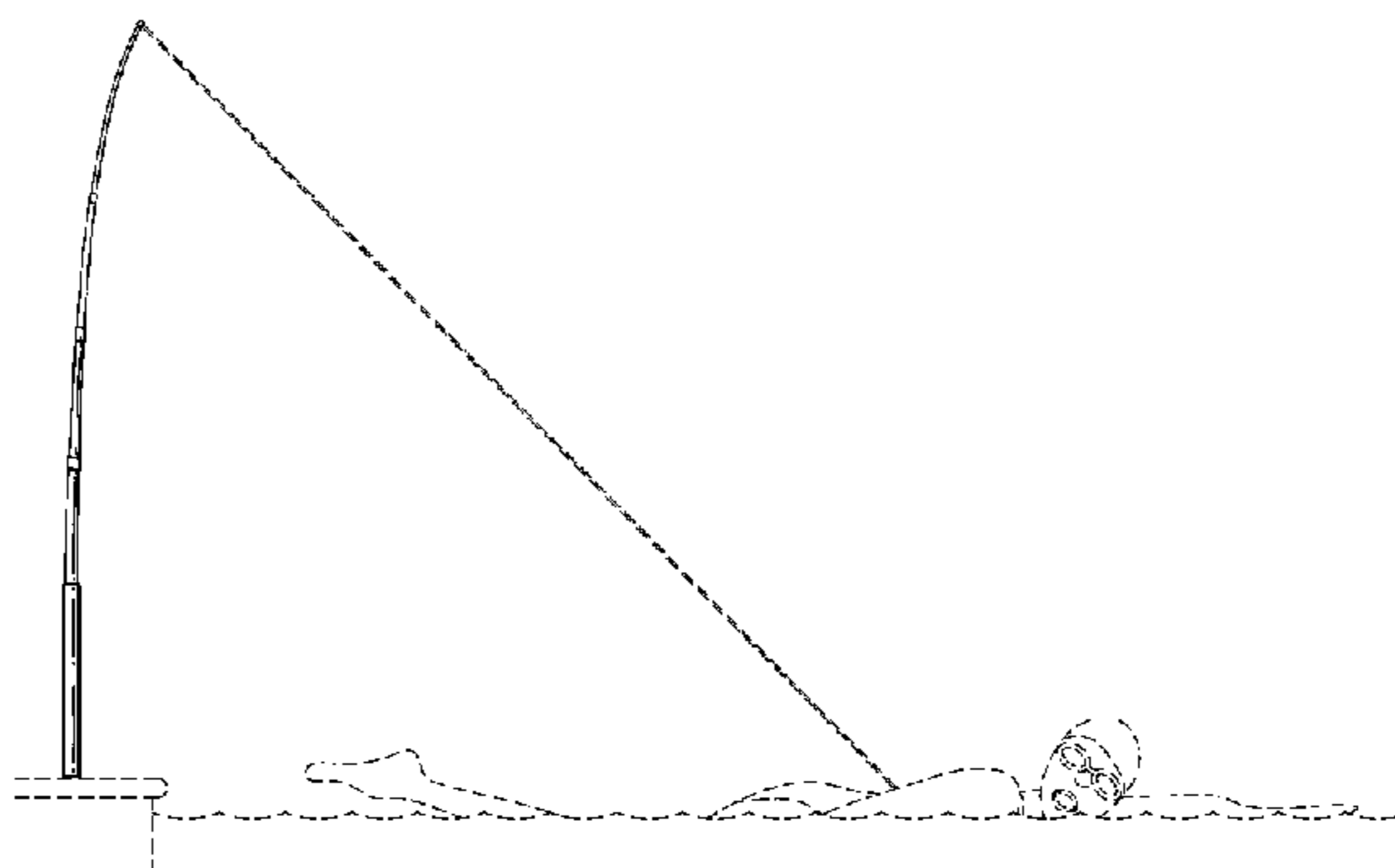
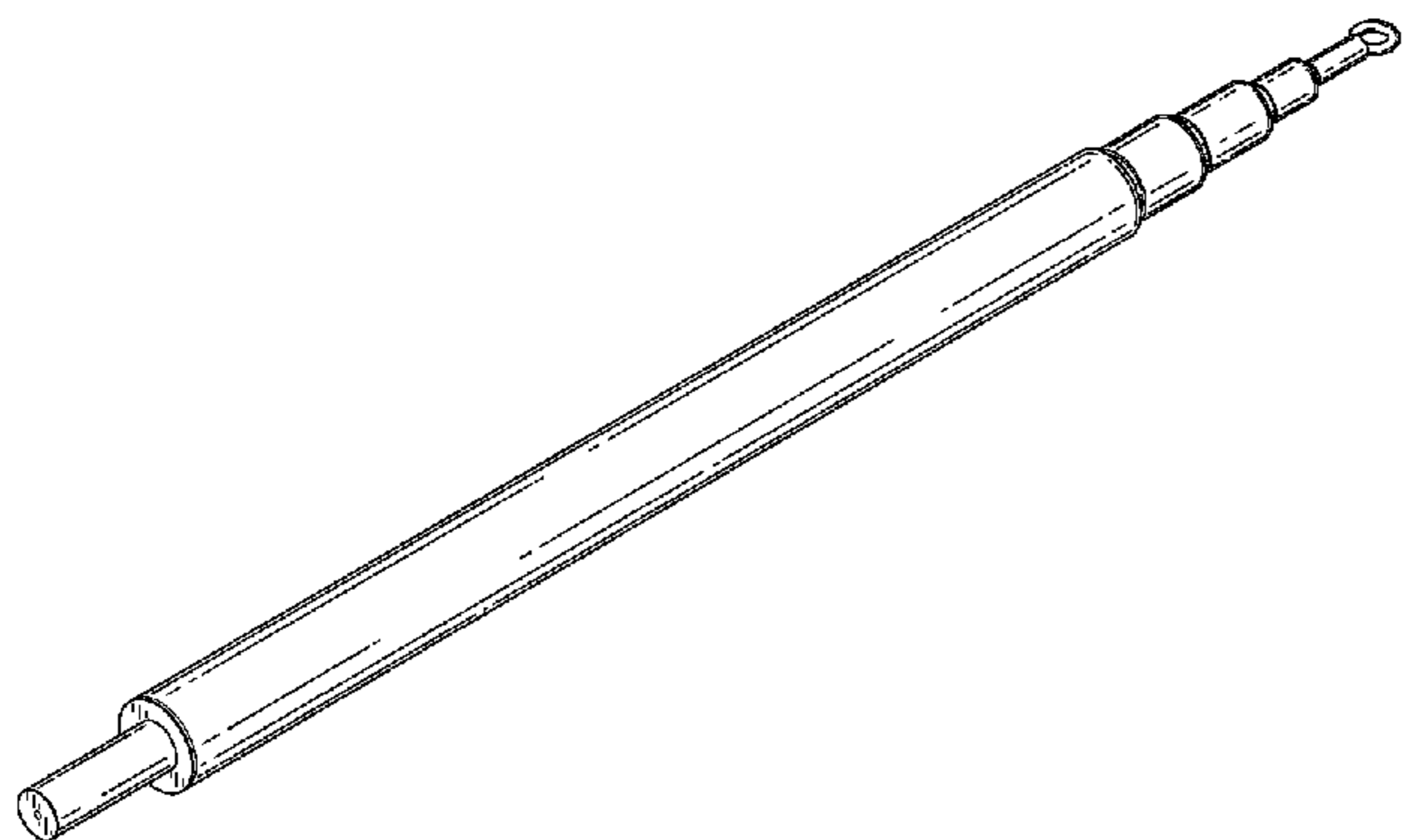
FIG. 5 is an enlarged right end elevation view of FIG. 1;

FIG. 6 is another perspective view of FIG. 1 in an extended in-use position;

FIG. 7 is a section view in the direction of arrows 7-7 in FIG. 6; and,

FIG. 8 is a view of the invention in FIG. 6 in use. The broken lines are for environmental purposes and do not form part of the claimed design.

1 Claim, 4 Drawing Sheets



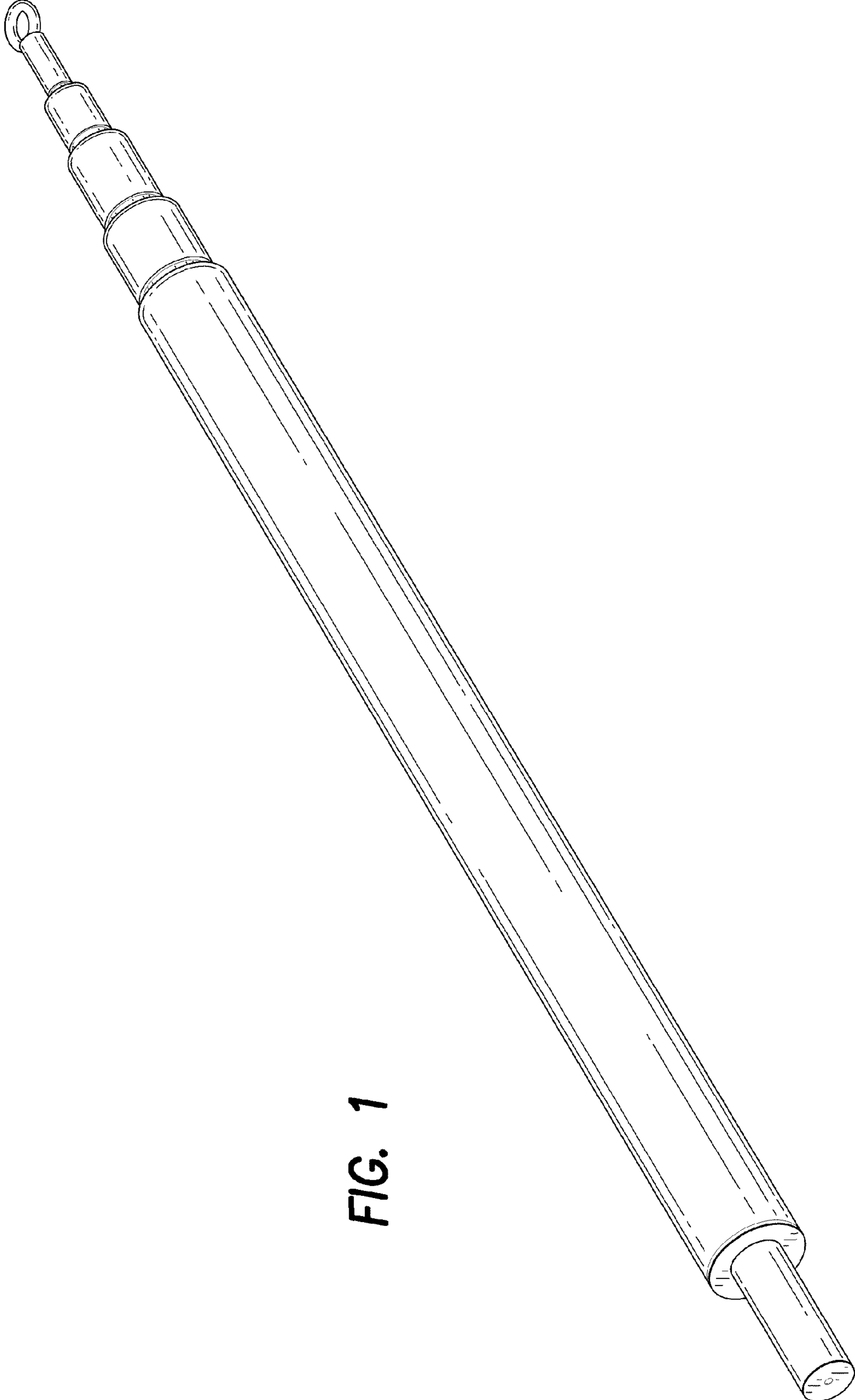


FIG. 1

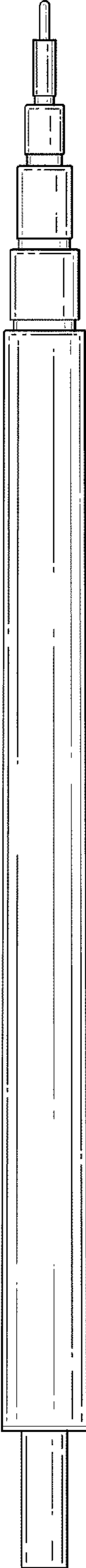


FIG. 2

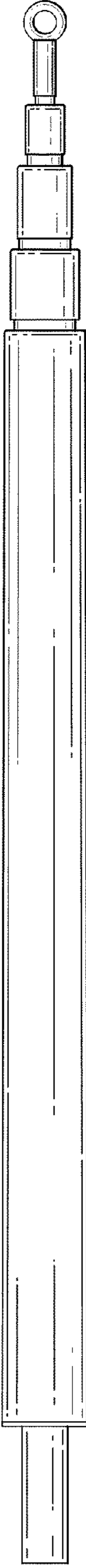


FIG. 3

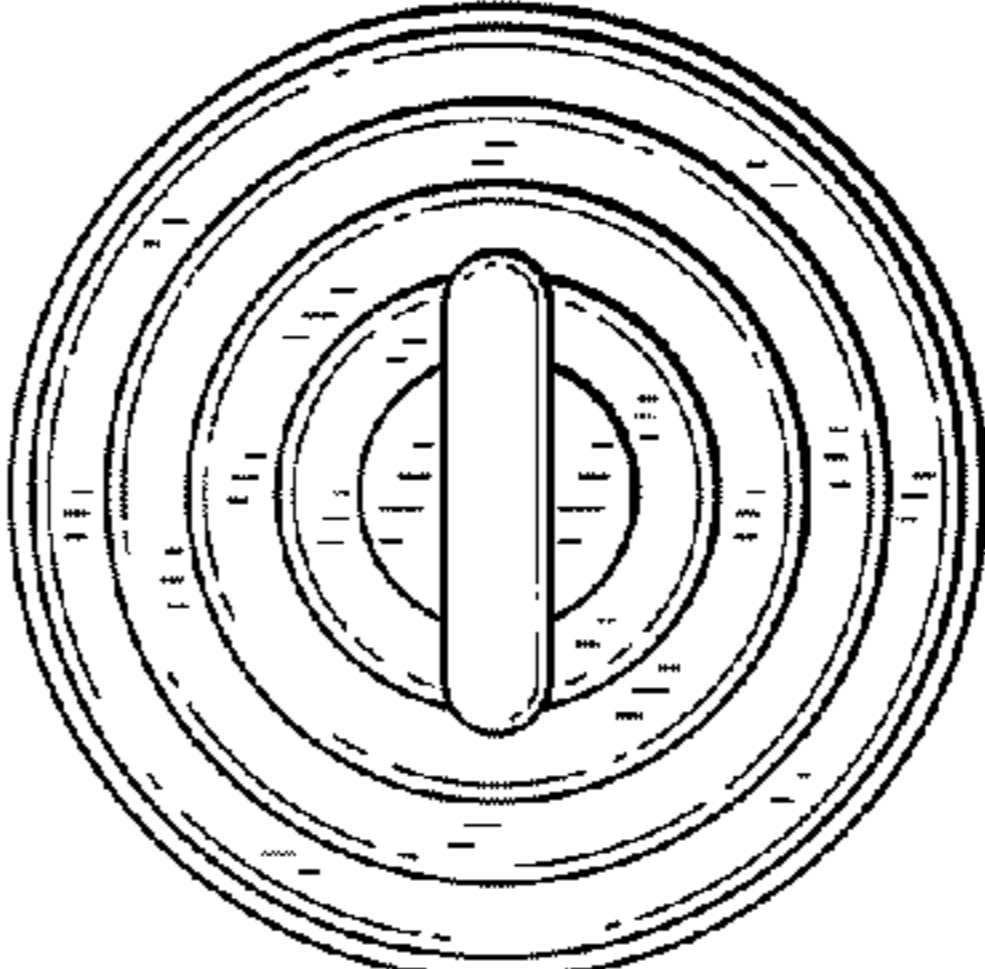


FIG. 5

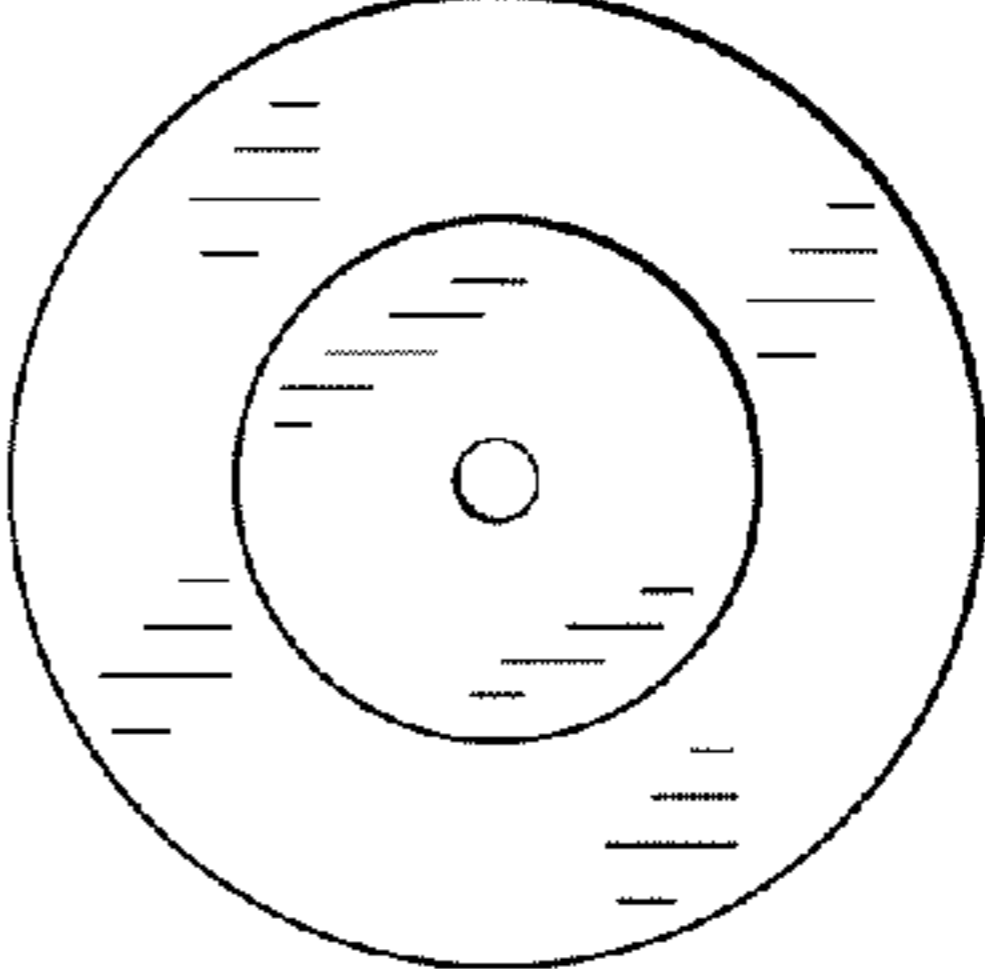


FIG. 4

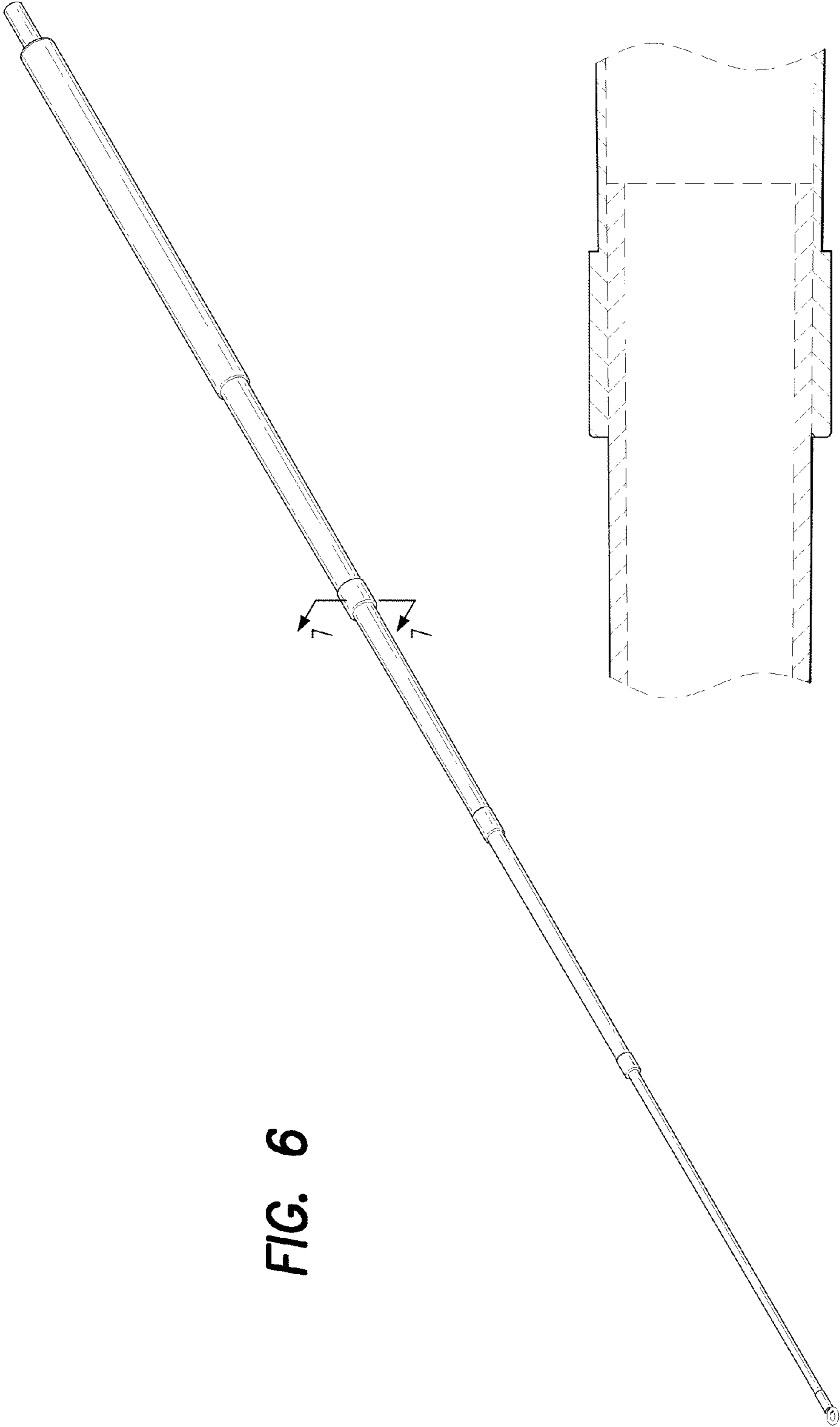


FIG. 6

FIG. 7

FIG. 8

