



US00D647990S

(12) **United States Design Patent**
Symonds

(10) **Patent No.:** **US D647,990 S**

(45) **Date of Patent:** **** Nov. 1, 2011**

(54) **MULTI-LAYER GRIP FOR A GOLF CLUB
HAVING A CUSTOMIZABLE INNER LAYER**

(76) Inventor: **Brian Symonds**, Ft. Lauderdale, FL
(US)

(**) Term: **14 Years**

(21) Appl. No.: **29/381,808**

(22) Filed: **Dec. 23, 2010**

(51) **LOC (9) Cl.** **21-02**

(52) **U.S. Cl.** **D21/756**

(58) **Field of Classification Search** D21/756-758,
D21/725; 473/300-303, 201-206, 564-568;
16/421, 422, 431, 436; 30/340

See application file for complete search history.

(56) **References Cited**

U.S. PATENT DOCUMENTS

5,342,046 A *	8/1994	Erb	473/568
6,923,727 B1 *	8/2005	Jacobs	473/206
7,013,533 B2 *	3/2006	Lumpkin	16/421

* cited by examiner

Primary Examiner — Mitchell Siegel

(74) *Attorney, Agent, or Firm* — Taft Stettinius & Hollister
LLP; Stephen F. Rost

(57) **CLAIM**

The ornamental design for a multilayer grip for a golf club
having a customizable inner layer, as shown and described.

DESCRIPTION

FIG. 1 is a perspective exploded view of a multilayer grip for
a golf club having a customizable inner layer that illustrates
the novel design;

FIG. 2 is a perspective assembled view of the multilayer grip
for a golf club of FIG. 1;

FIG. 3 is a rear view of the multilayer grip of FIG. 2;

FIG. 4 is a left side view of the multilayer grip of FIG. 2;

FIG. 5 is a front view of the multilayer grip of FIG. 2;

FIG. 6 is a right side view of the multilayer grip of FIG. 2;

FIG. 7 is a top view of the multilayer grip of FIG. 2; and,

FIG. 8 is a bottom view of the multilayer grip of FIG. 2.

The broken indicia and broken lines in the drawings are for
illustrative purposes only and form no part of the claimed
design.

1 Claim, 5 Drawing Sheets

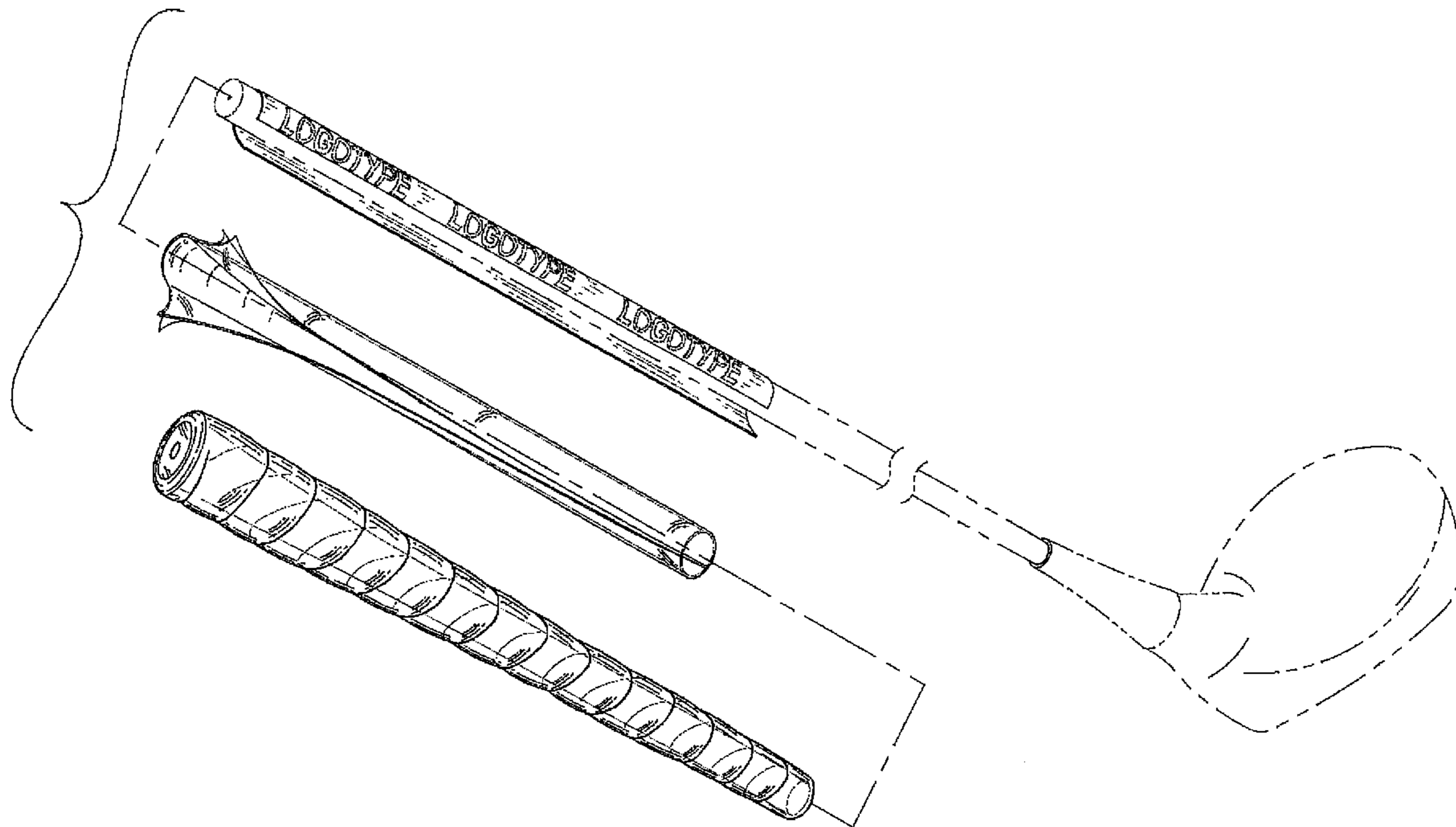
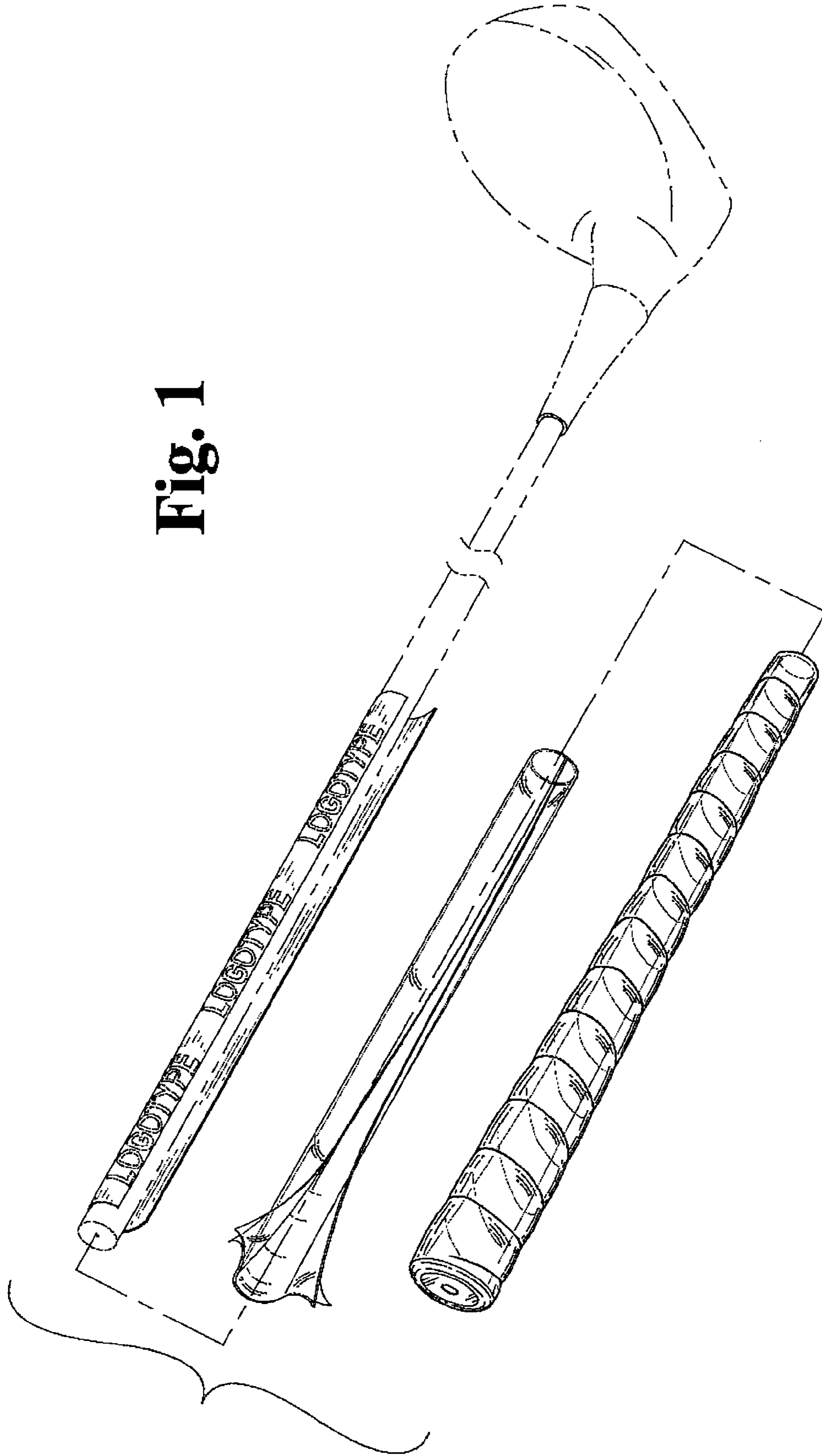


Fig. 1



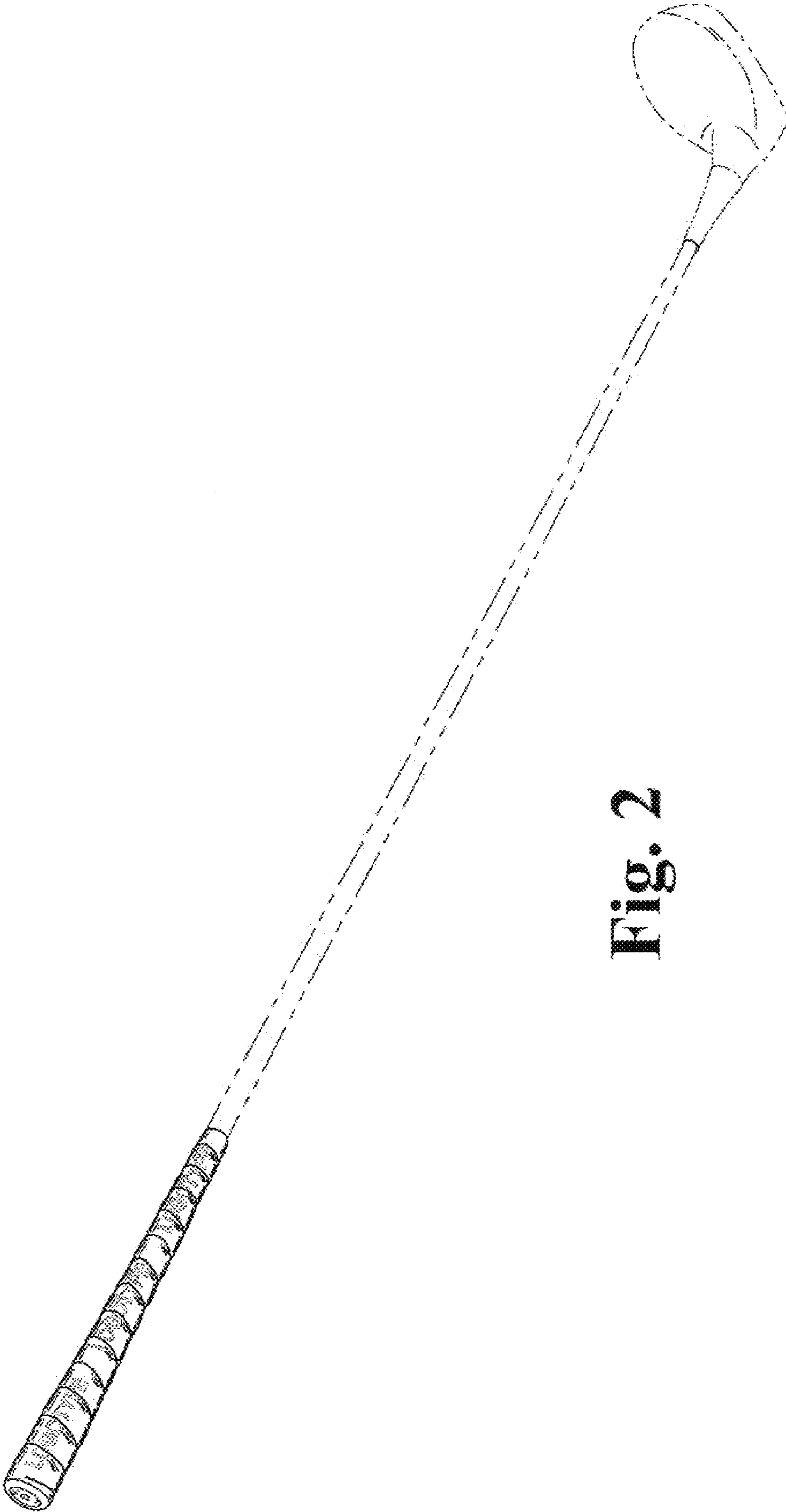


Fig. 2

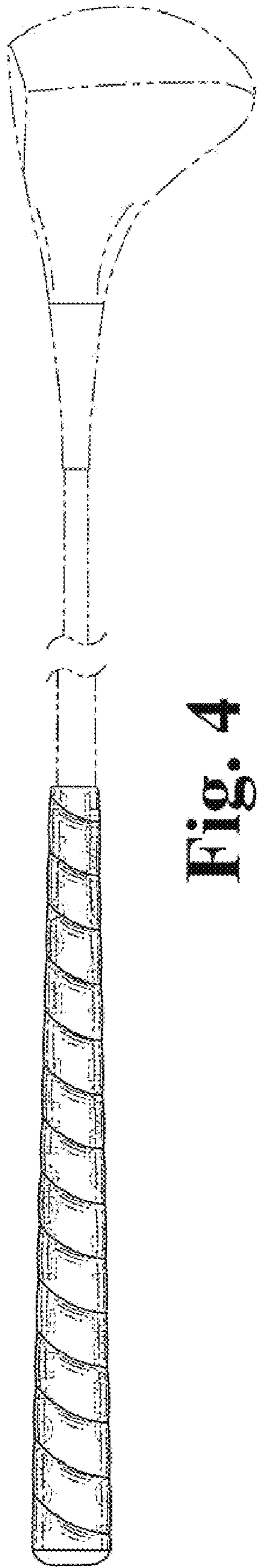


Fig. 4

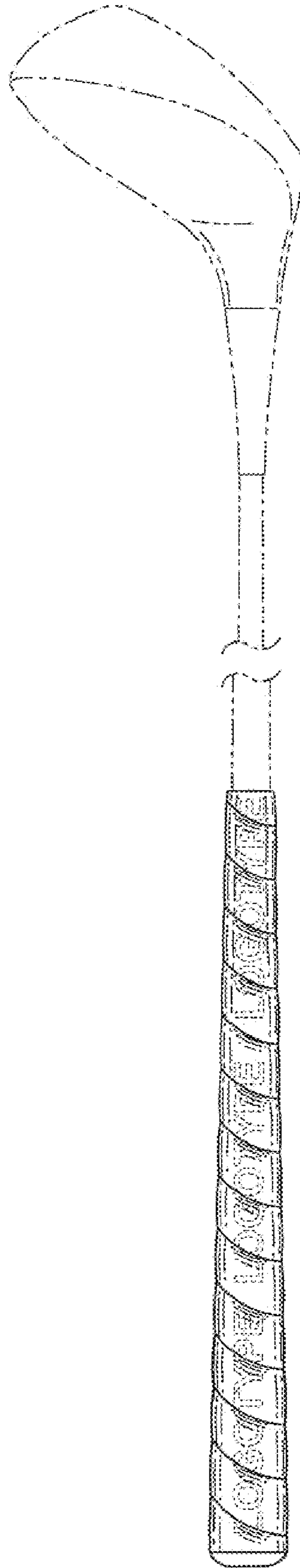


Fig. 3

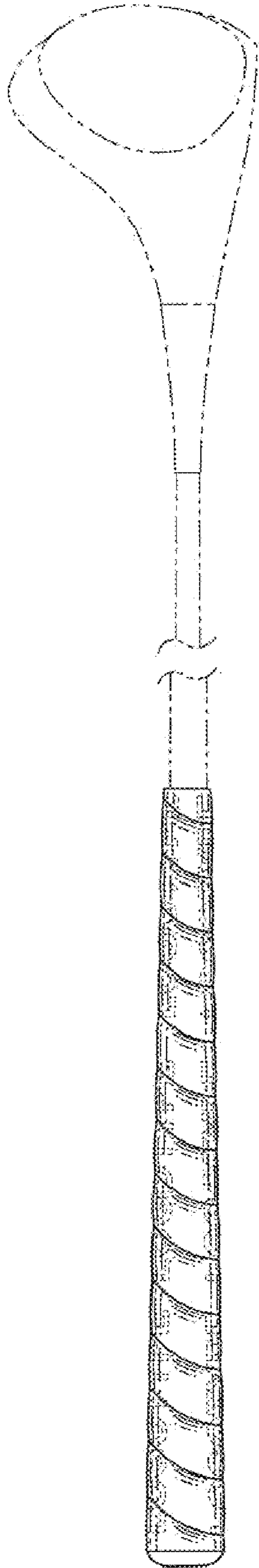


Fig. 6

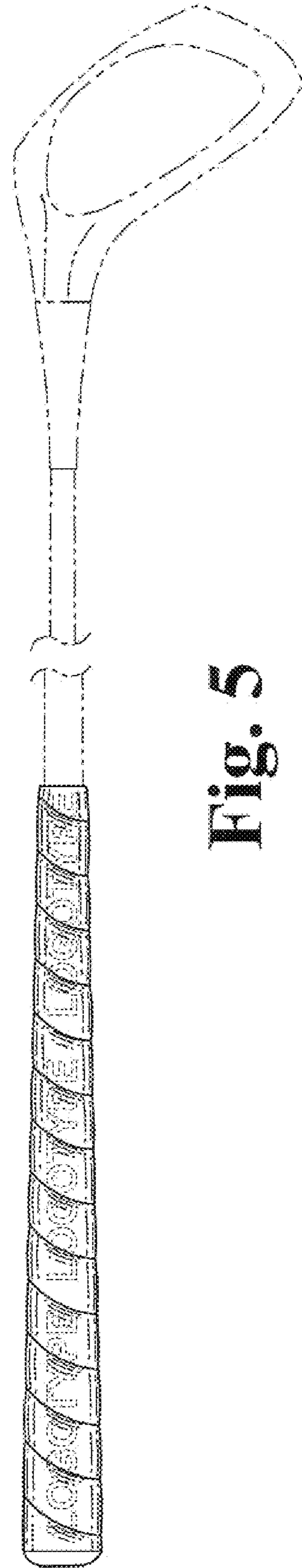


Fig. 5

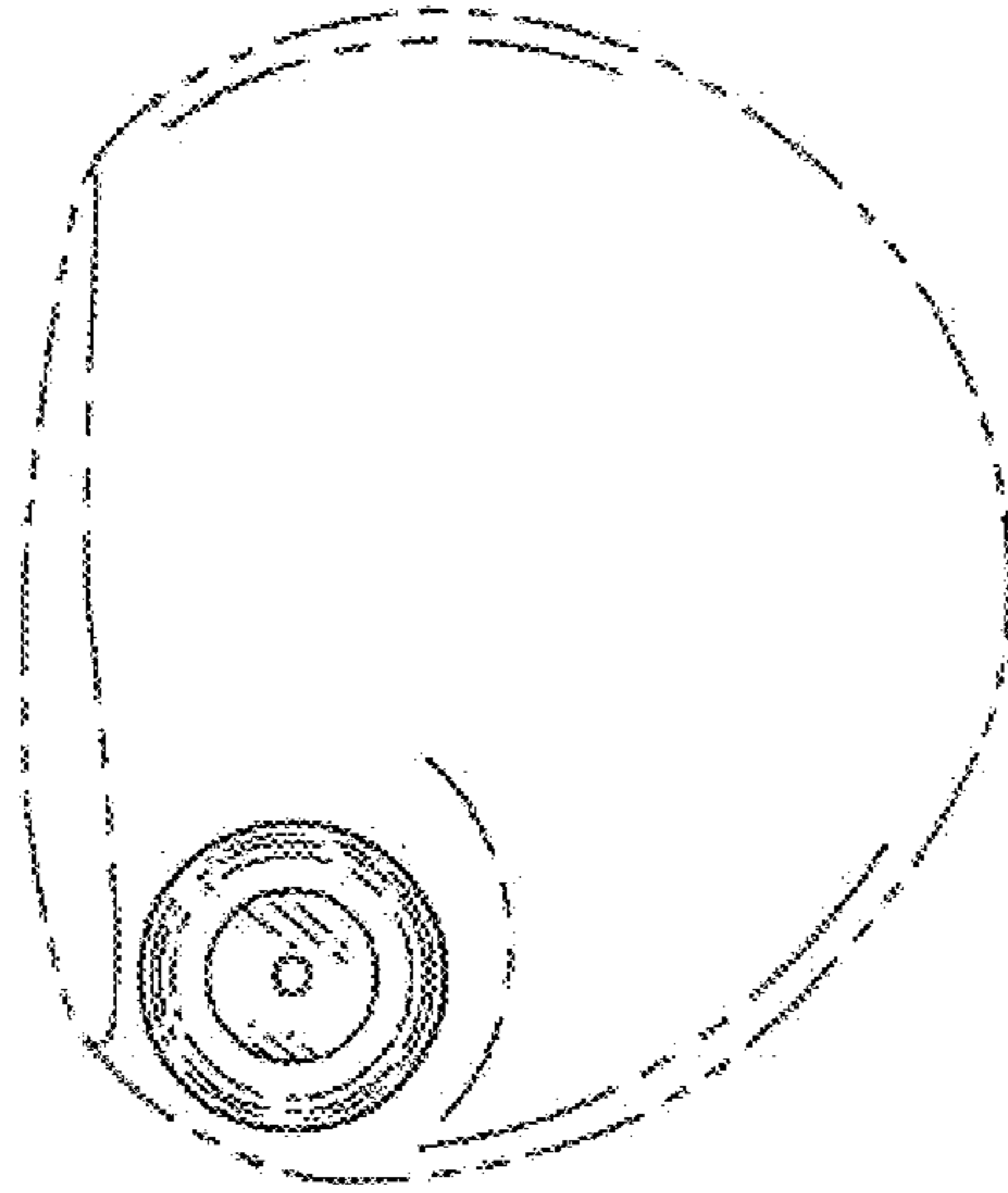


Fig. 7

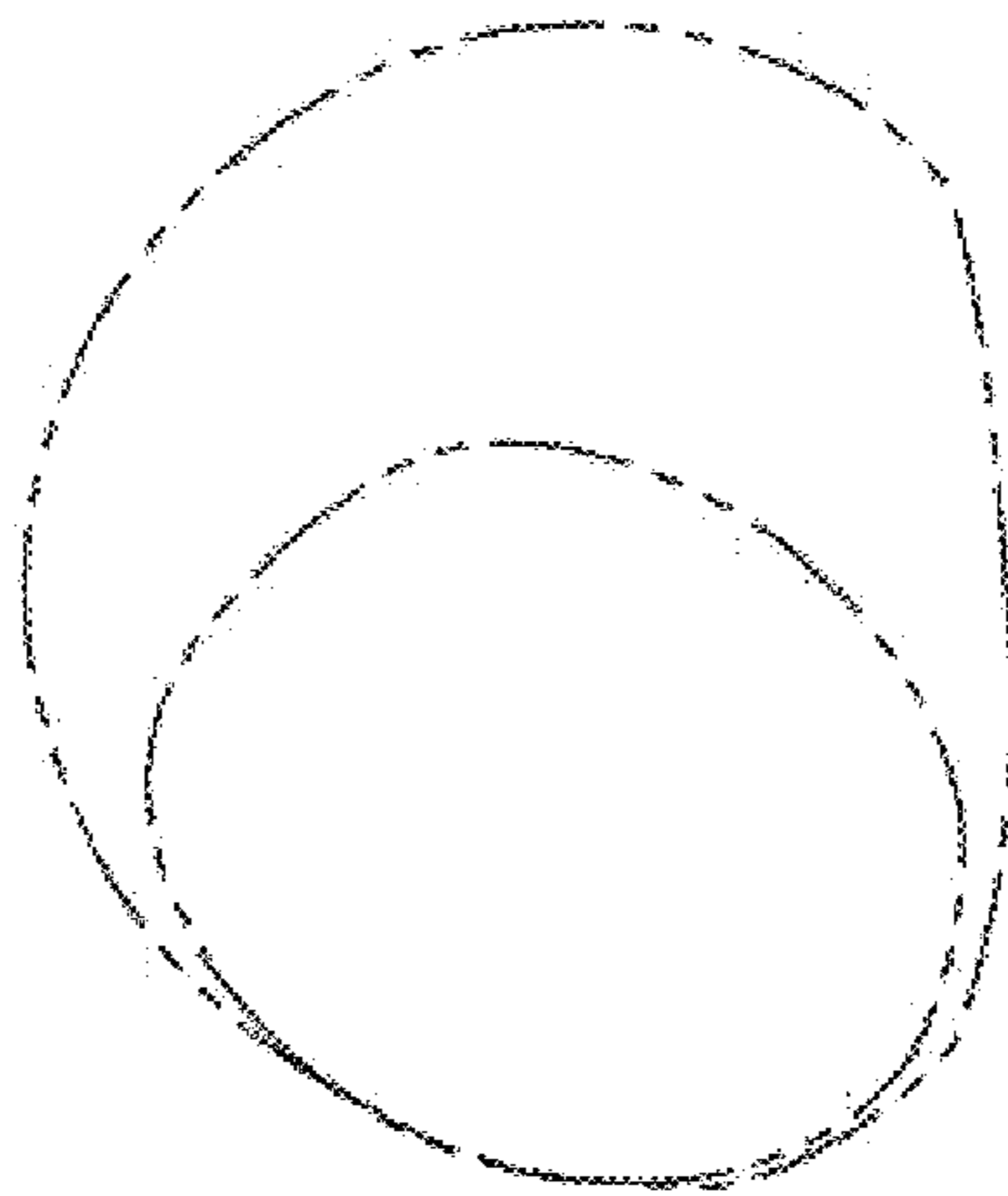


Fig. 8