



US00D647987S

(12) **United States Design Patent**
Atwell et al.

(10) **Patent No.:** **US D647,987 S**

(45) **Date of Patent:** **** Nov. 1, 2011**

(54) **GOLF CLUB HEAD**

(75) Inventors: **Zac Atwell**, Carlsbad, CA (US); **Robert Nunez**, Vista, CA (US); **Brian Bazzel**, Carlsbad, CA (US); **Sean Toulon**, Vista, CA (US); **Bret H. Wahl**, Escondido, CA (US); **Maresala Milo**, San Diego, CA (US); **Paul M. Demkowski**, San Diego, CA (US)

(73) Assignee: **Taylor Made Golf Company, Inc.**, Carlsbad, CA (US)

(**) Term: **14 Years**

(21) Appl. No.: **29/380,793**

(22) Filed: **Dec. 10, 2010**

(51) **LOC (9) Cl.** **21-02**

(52) **U.S. Cl.** **D21/747**

(58) **Field of Classification Search** D21/747-751,
D21/759; 473/324-331, 350

See application file for complete search history.

(56) **References Cited**

U.S. PATENT DOCUMENTS

D164,596 S *	9/1951	Penna	D21/751
D164,597 S *	9/1951	Penna	D21/751
D413,369 S *	8/1999	Peng	D21/748
D428,635 S *	7/2000	Nagai et al.	D21/759

D466,576 S *	12/2002	Nagai et al.	D21/759
D466,961 S *	12/2002	Nagai et al.	D21/759
D526,036 S *	8/2006	Nishitani	D21/747
D588,667 S *	3/2009	Oldknow	D21/759
D595,797 S *	7/2009	Oldknow	D21/759

* cited by examiner

Primary Examiner — Mitchell Siegel

(74) *Attorney, Agent, or Firm* — Klarquist Sparkman, LLP

(57) **CLAIM**

We claim the ornamental design for a golf club head, as shown and described.

DESCRIPTION

FIG. 1 is a perspective view of a golf club head, as viewed from the back, above and one side, according to one embodiment.

FIG. 2 is a front elevation view of the golf club head of FIG. 1.

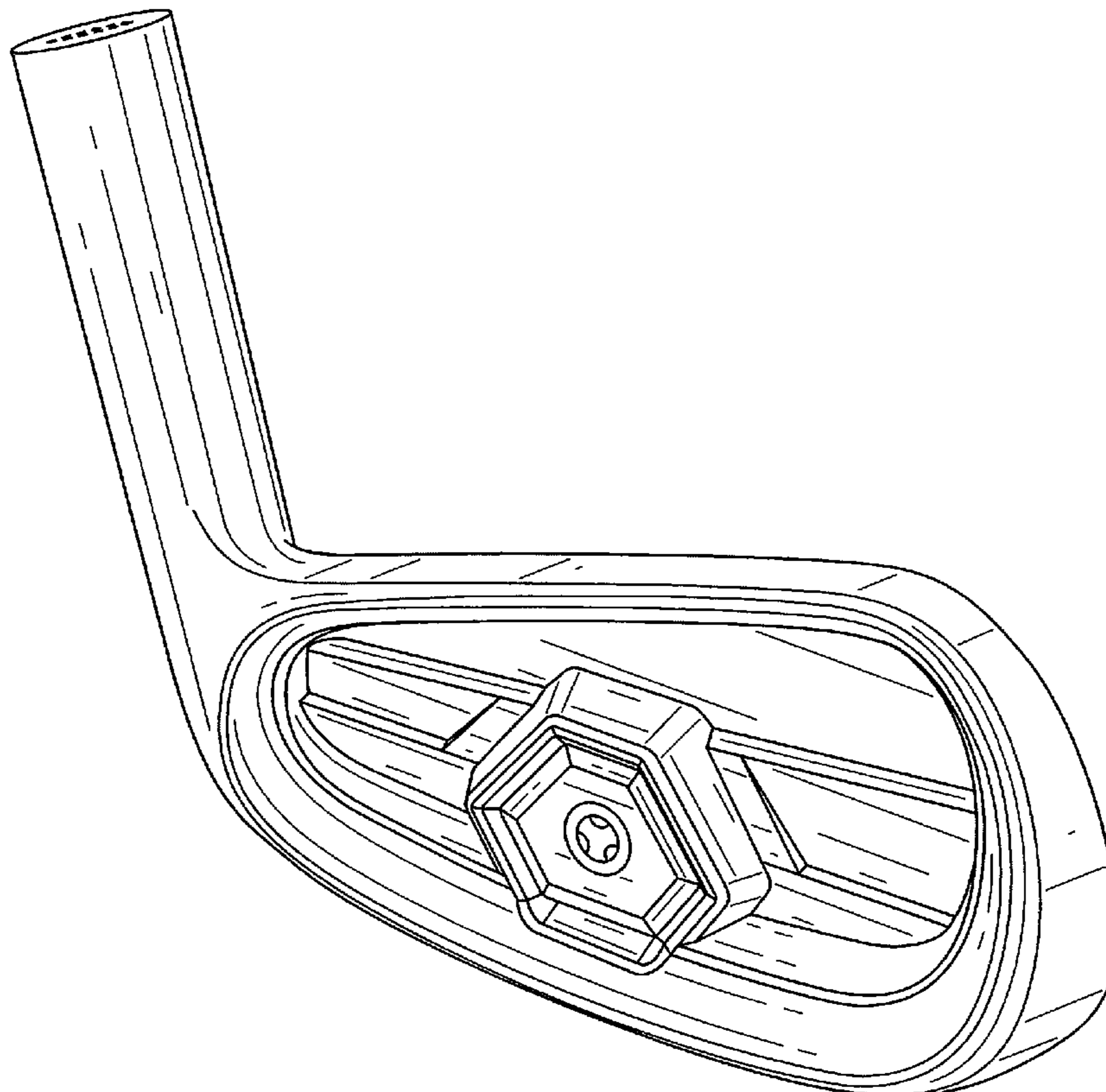
FIG. 3 is a rear elevation view of the golf club head of FIG. 1. FIG. 4 is a side elevation view of the toe of the golf club head of FIG. 1.

FIG. 5 is a side elevation view of the heel of the golf club head of FIG. 1.

FIG. 6 is a top plan view of the golf club head of FIG. 1; and, FIG. 7 is a bottom plan view of the golf club head of FIG. 1.

The dashed lines in the drawings are for illustrative purpose only and form no part of the claimed design.

1 Claim, 5 Drawing Sheets



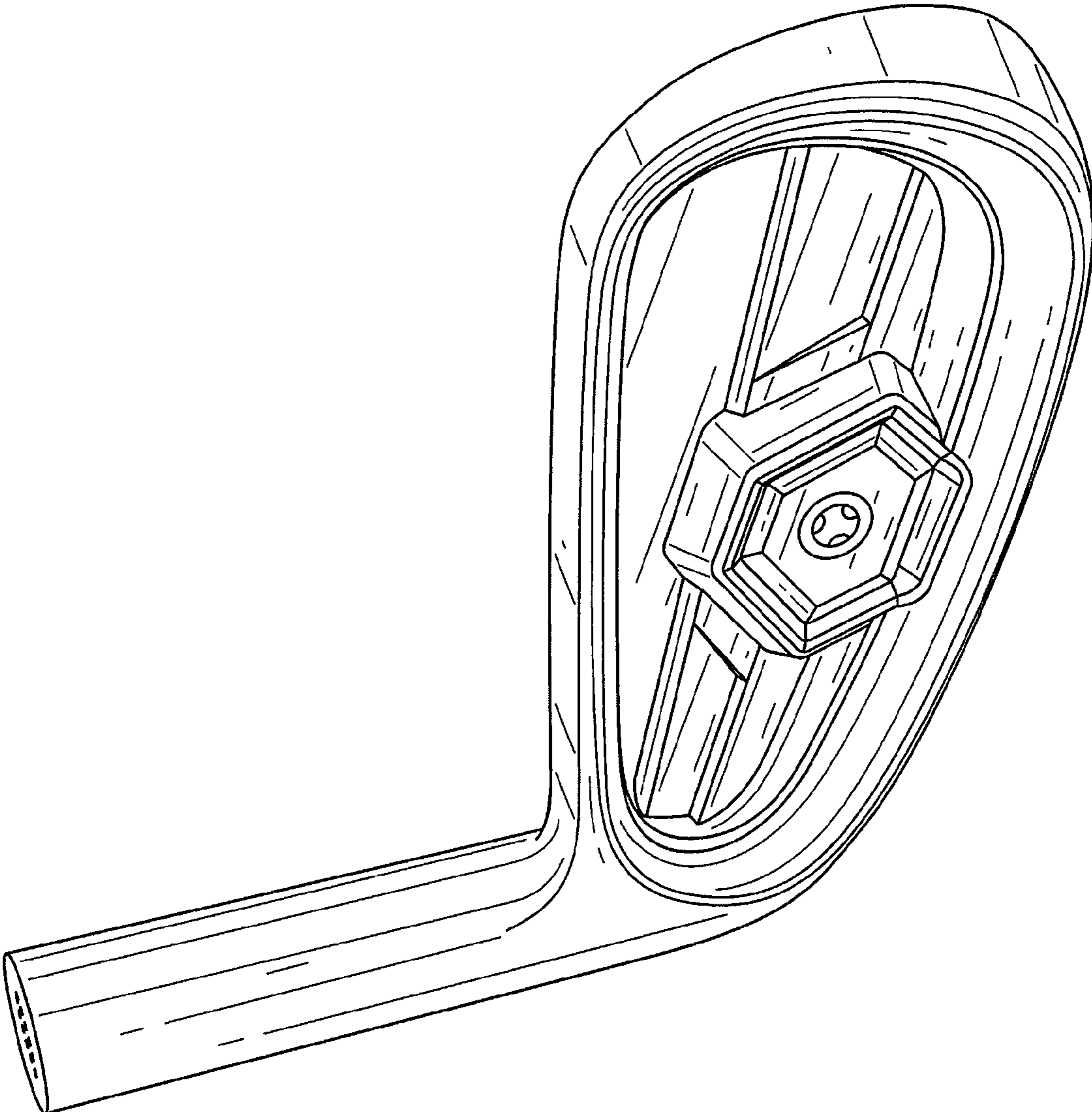


FIG. 1

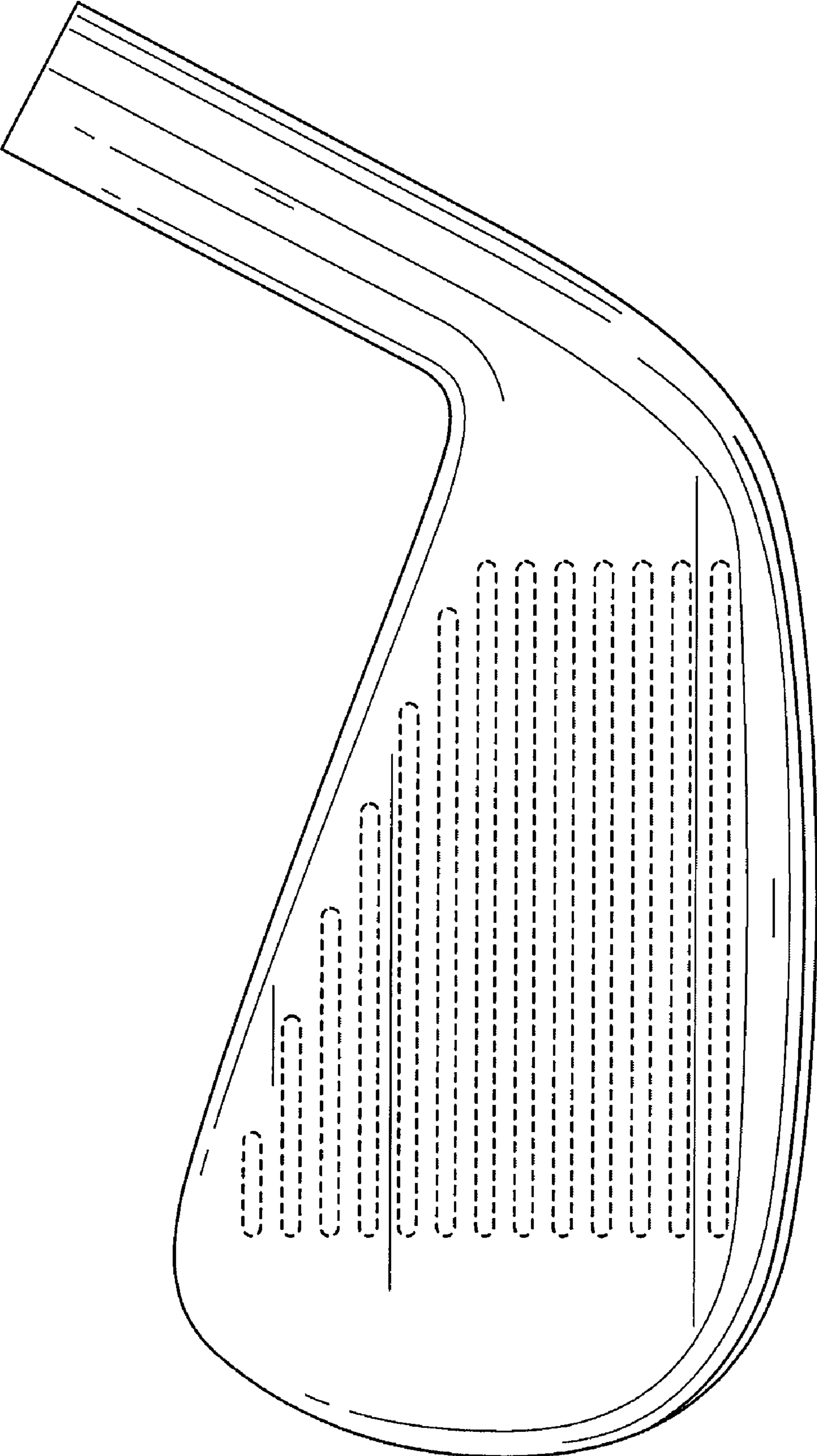


FIG. 2

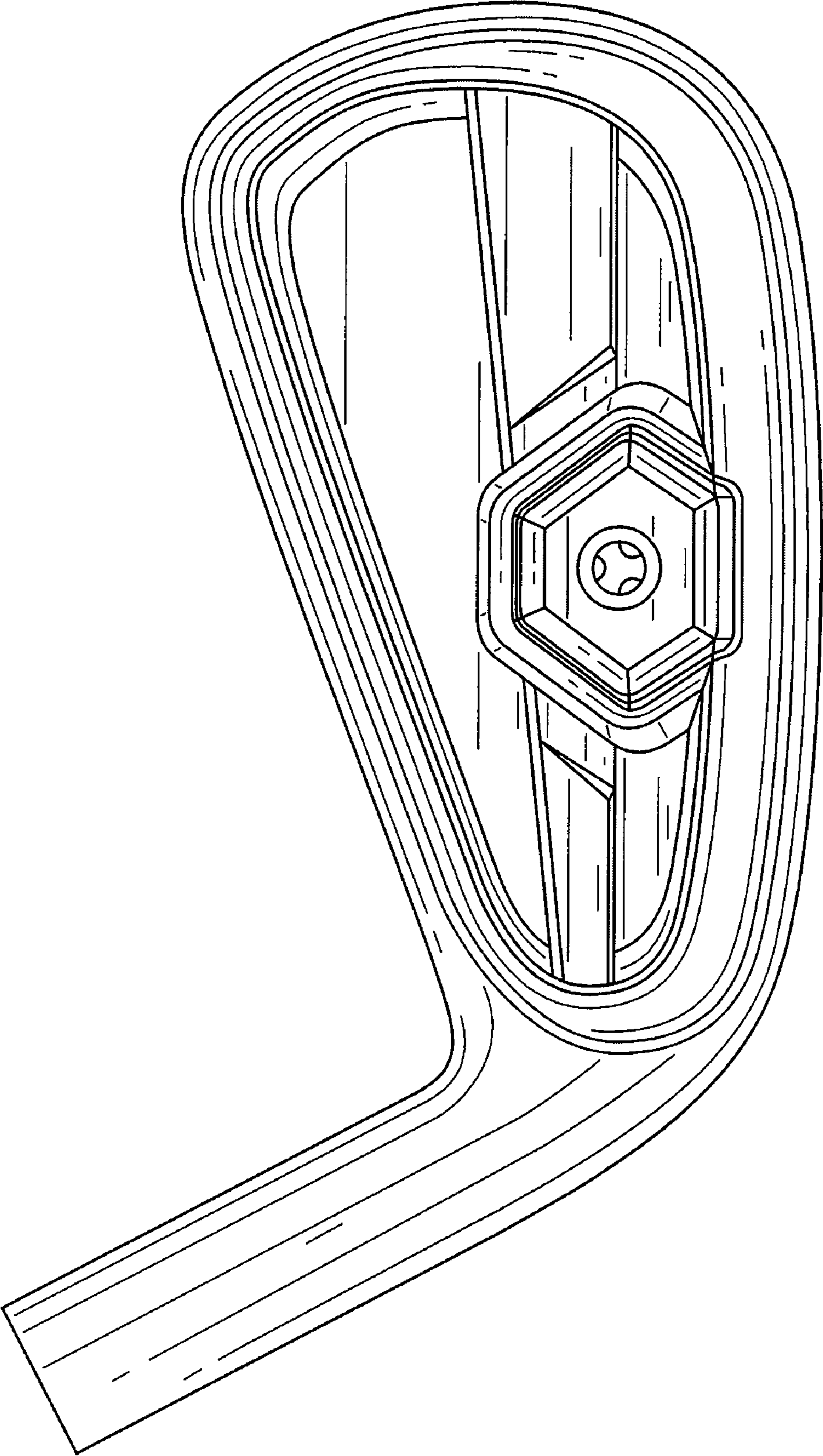


FIG. 3

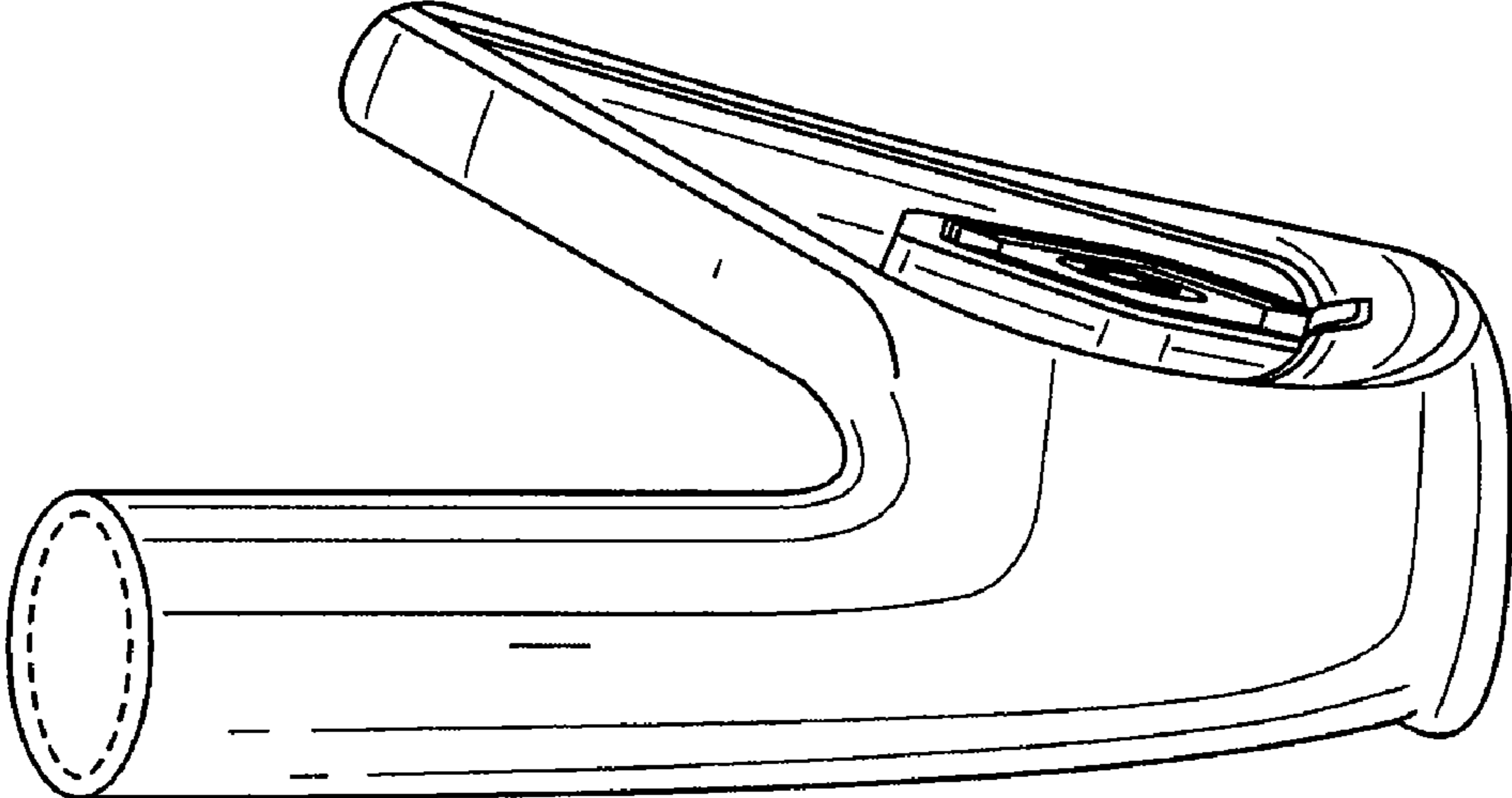


FIG. 5

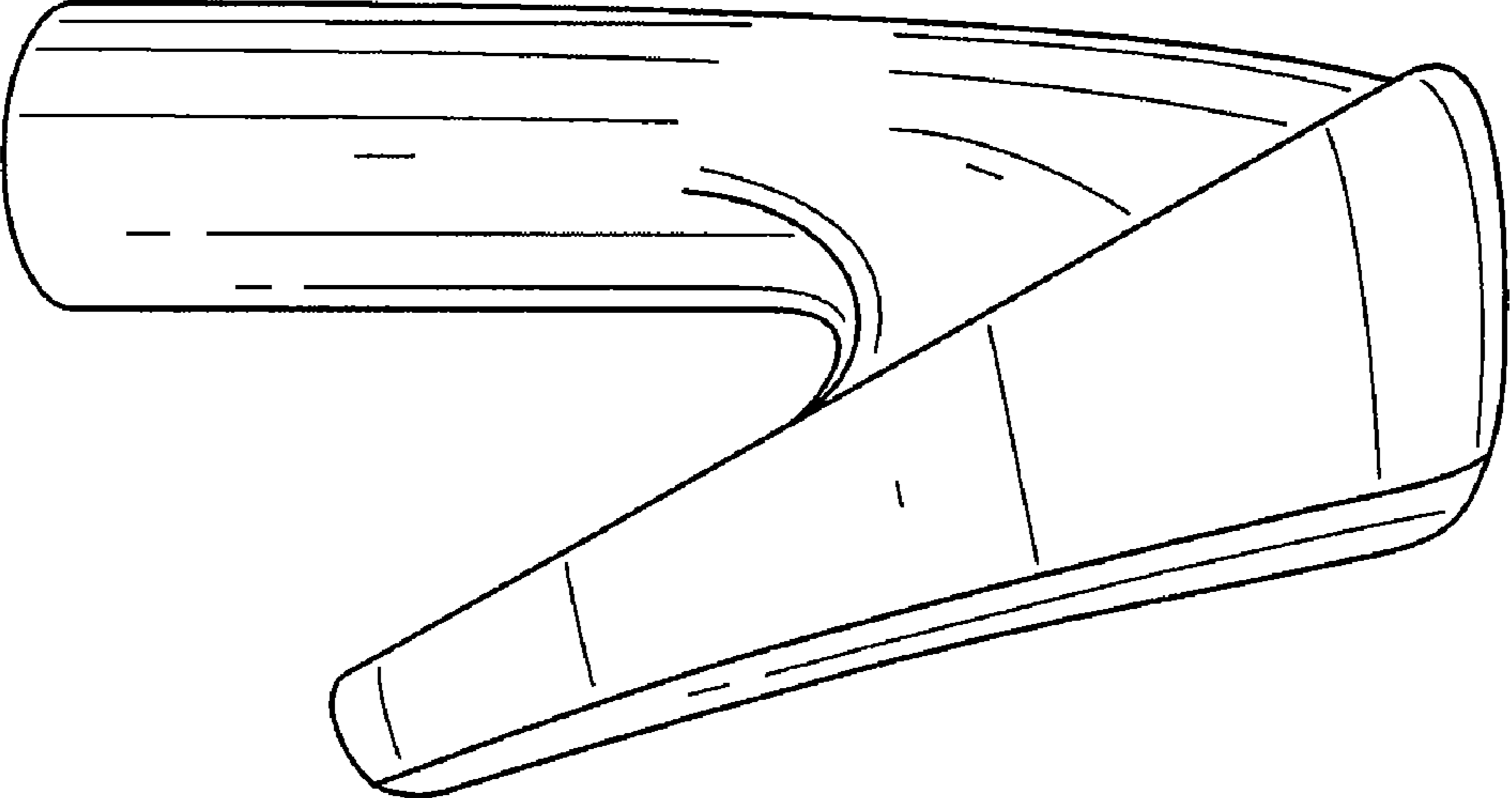


FIG. 4

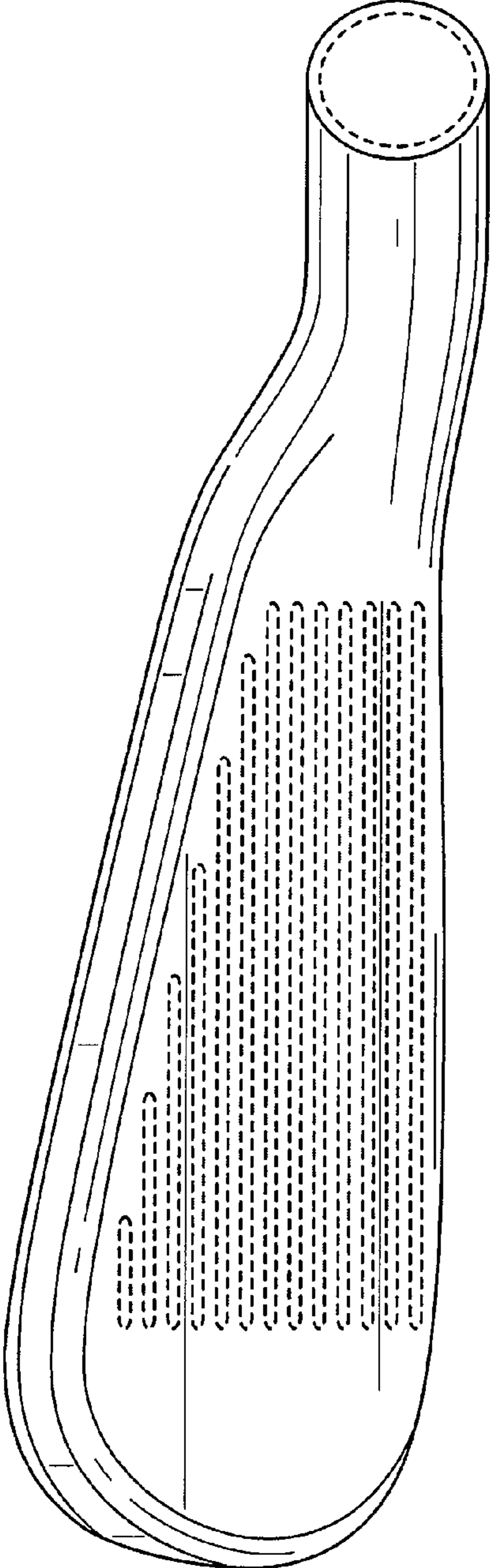


FIG. 6

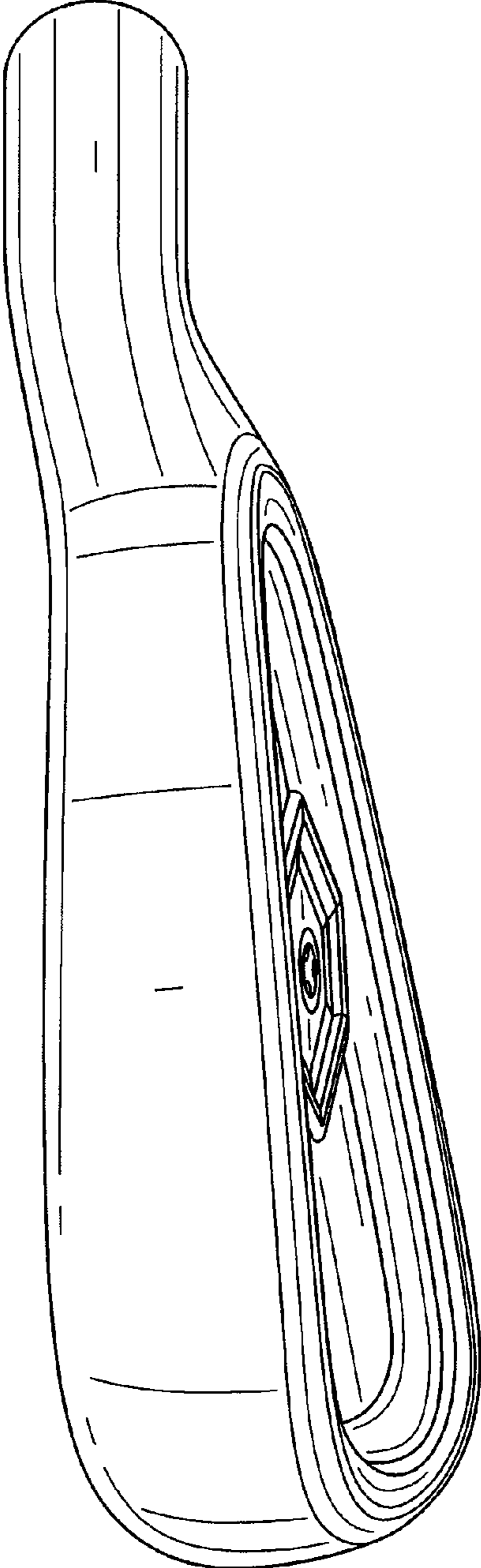


FIG. 7