



US00D647985S

(12) **United States Design Patent**  
**Atwell et al.**

(10) **Patent No.:** **US D647,985 S**

(45) **Date of Patent:** **\*\* Nov. 1, 2011**

(54) **GOLF CLUB HEAD**

(75) Inventors: **Zac Atwell**, Carlsbad, CA (US); **Robert Nunez**, Vista, CA (US); **Chris Piniarski**, San Diego, CA (US); **Brian Bazzel**, Carlsbad, CA (US); **Sean Toulon**, Vista, CA (US); **Bret H. Wahl**, Escondido, CA (US); **Allan Capili Saliba**, Oceanside, CA (US); **Marni D. Ines**, San Marcos, CA (US); **Michael Walker**, Solana Beach, CA (US)

(73) Assignee: **Taylor Made Golf Company, Inc.**, Carlsbad, CA (US)

(\*\*) Term: **14 Years**

(21) Appl. No.: **29/380,776**

(22) Filed: **Dec. 10, 2010**

(51) **LOC (9) Cl.** ..... **21-02**

(52) **U.S. Cl.** ..... **D21/747**

(58) **Field of Classification Search** ..... D21/747-751,  
D21/759; 473/324-331, 350  
See application file for complete search history.

(56) **References Cited**

U.S. PATENT DOCUMENTS

|              |         |               |       |         |
|--------------|---------|---------------|-------|---------|
| D256,264 S * | 8/1980  | Solheim       | ..... | D21/748 |
| D318,703 S * | 7/1991  | Shearer       | ..... | D21/748 |
| D379,393 S * | 5/1997  | Kubica et al. | ..... | D21/748 |
| D442,246 S   | 5/2001  | McCabe et al. |       |         |
| D554,212 S   | 10/2007 | Nunez et al.  |       |         |

|                 |         |                |       |         |
|-----------------|---------|----------------|-------|---------|
| D568,953 S      | 5/2008  | Harbert et al. |       |         |
| D597,618 S      | 8/2009  | Ines et al.    |       |         |
| D598,060 S      | 8/2009  | Barez et al.   |       |         |
| D598,061 S *    | 8/2009  | Barez et al.   | ..... | D21/747 |
| 2010/0273570 A1 | 10/2010 | Ines et al.    |       |         |

\* cited by examiner

*Primary Examiner* — Mitchell Siegel

(74) *Attorney, Agent, or Firm* — Klarquist Sparkman, LLP

(57) **CLAIM**

We claim the ornamental design for a golf club head, as shown and described.

**DESCRIPTION**

FIG. 1 is a perspective view of a golf club head, as viewed from the back, above and one side, according to one embodiment.

FIG. 2 is a front elevation view of the golf club head of FIG. 1.

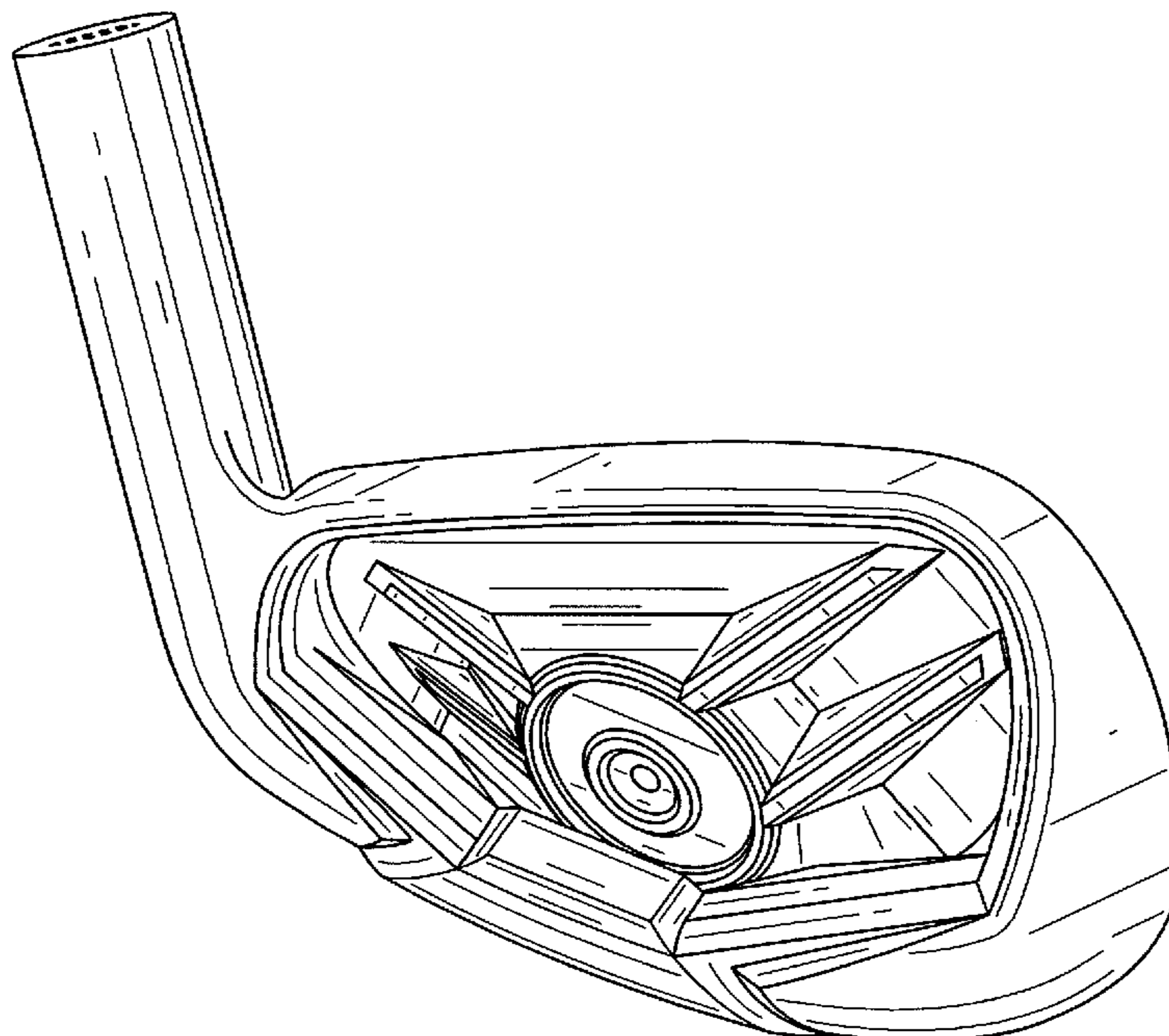
FIG. 3 is a rear elevation view of the golf club head of FIG. 1. FIG. 4 is a side elevation view of the toe of the golf club head of FIG. 1.

FIG. 5 is a side elevation view of the heel of the golf club head of FIG. 1.

FIG. 6 is a top plan view of the golf club head of FIG. 1; and, FIG. 7 is a bottom plan view of the golf club head of FIG. 1.

The dashed lines in the drawings are for illustrative purpose only and form no part of the claimed design.

**1 Claim, 5 Drawing Sheets**



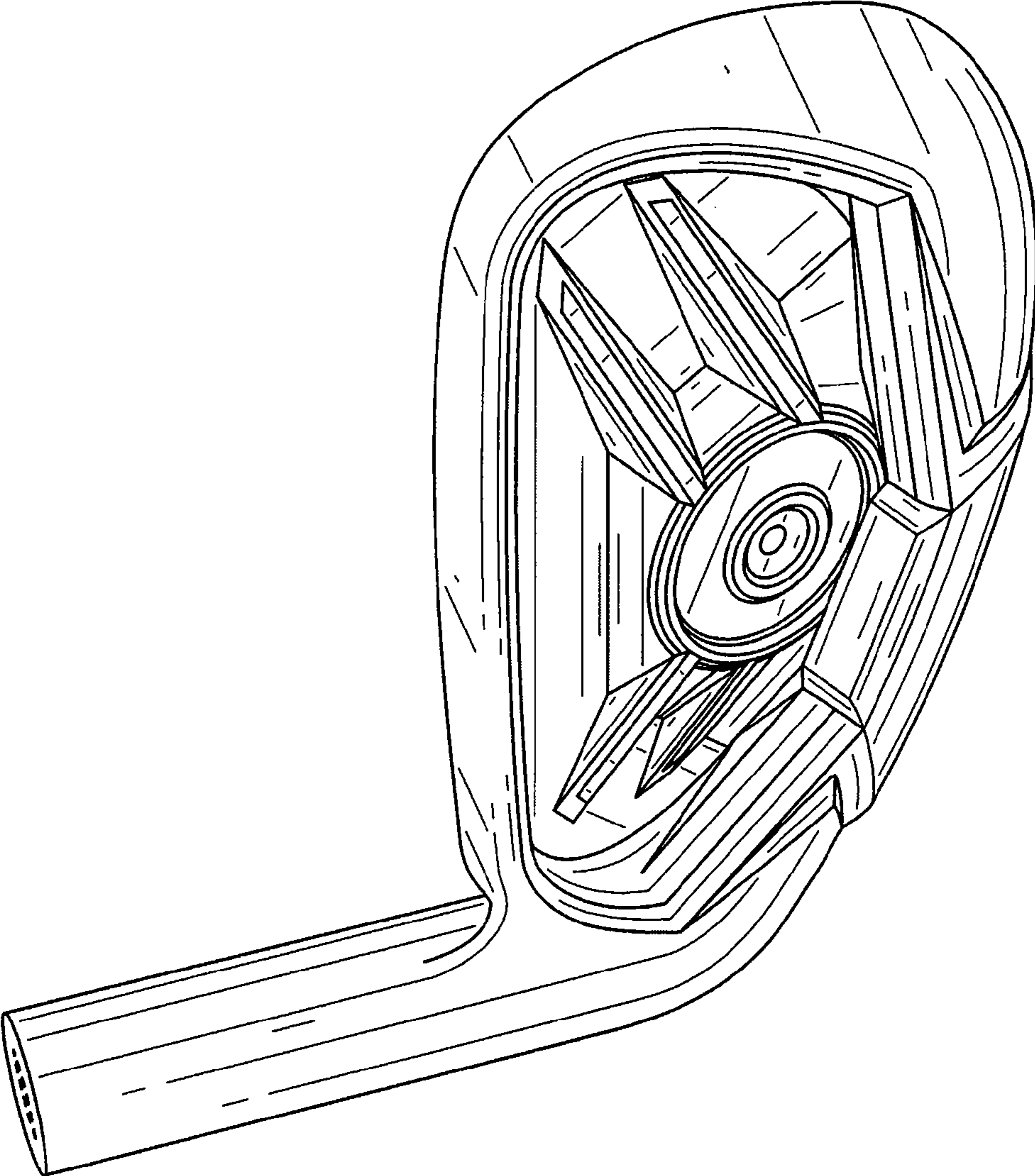


FIG. 1

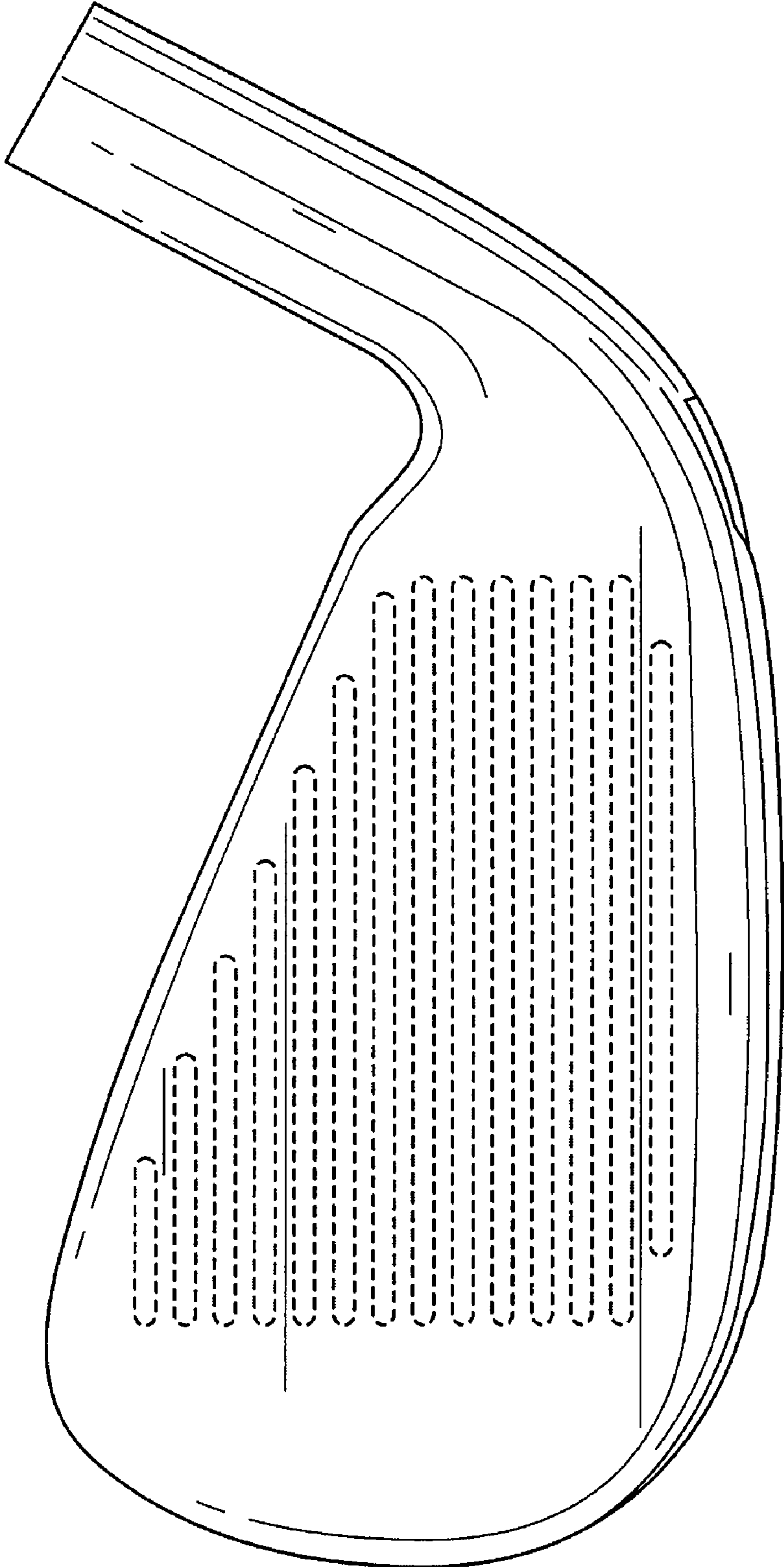


FIG. 2

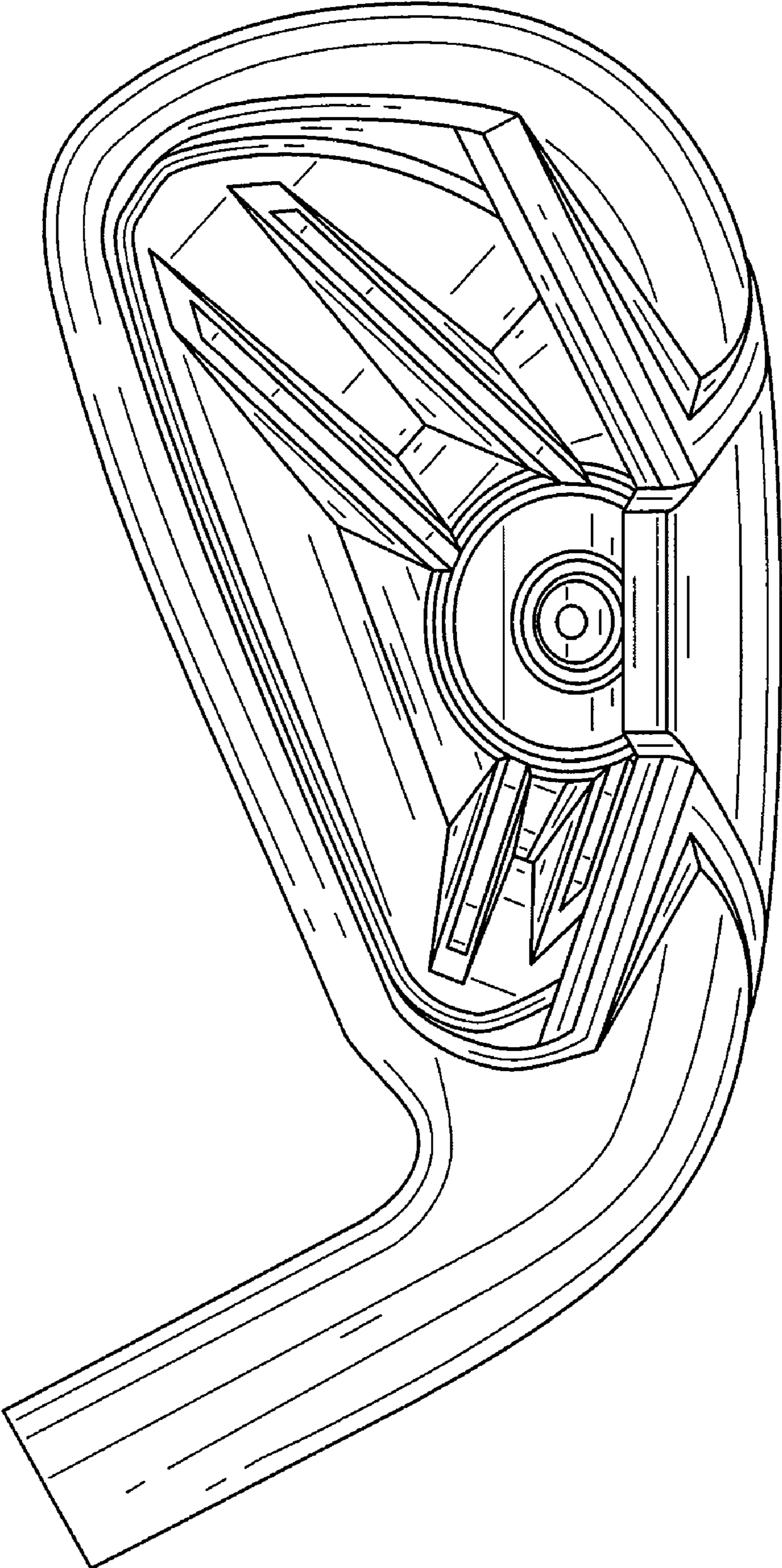


FIG. 3

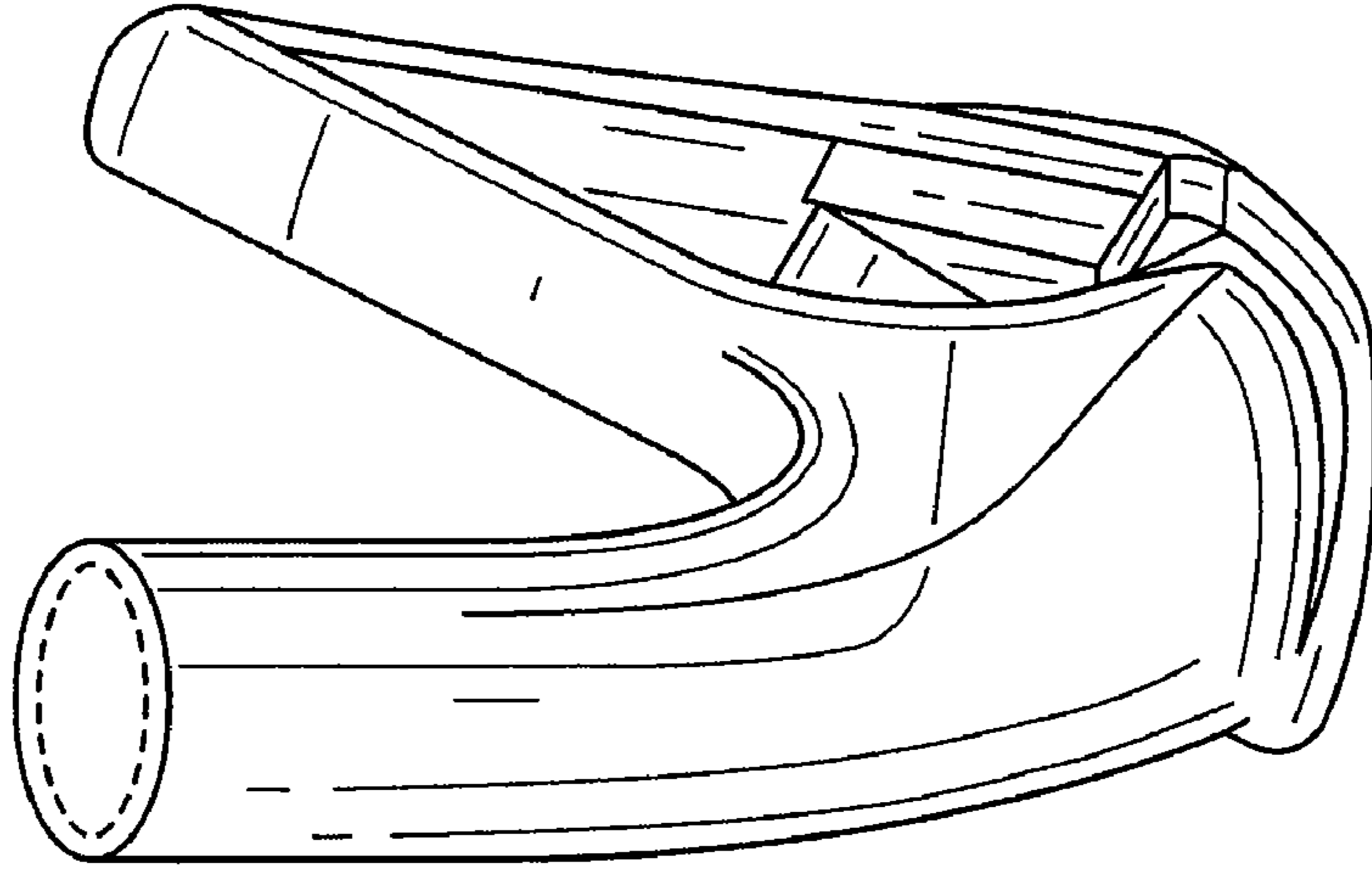


FIG. 5

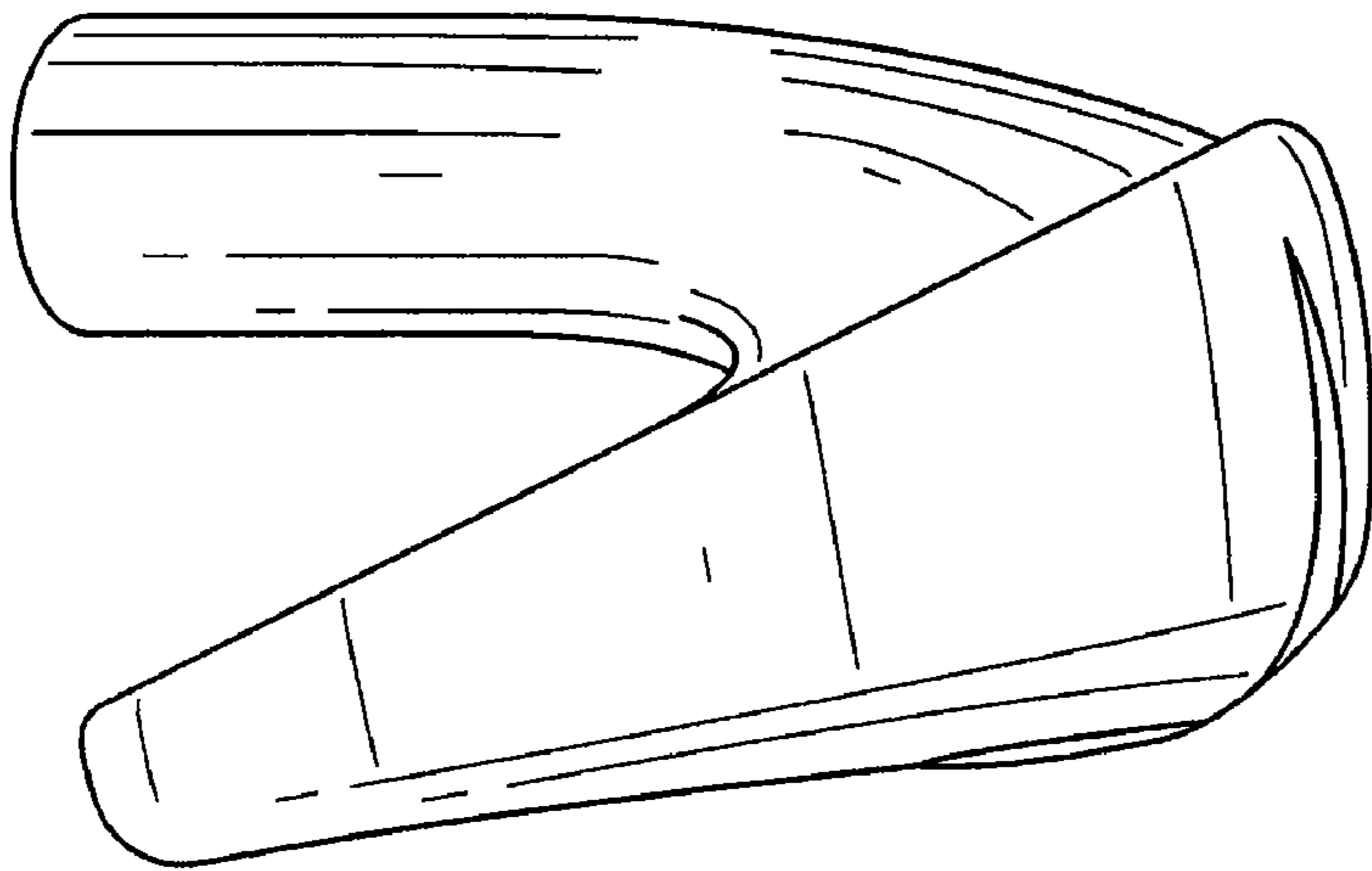


FIG. 4

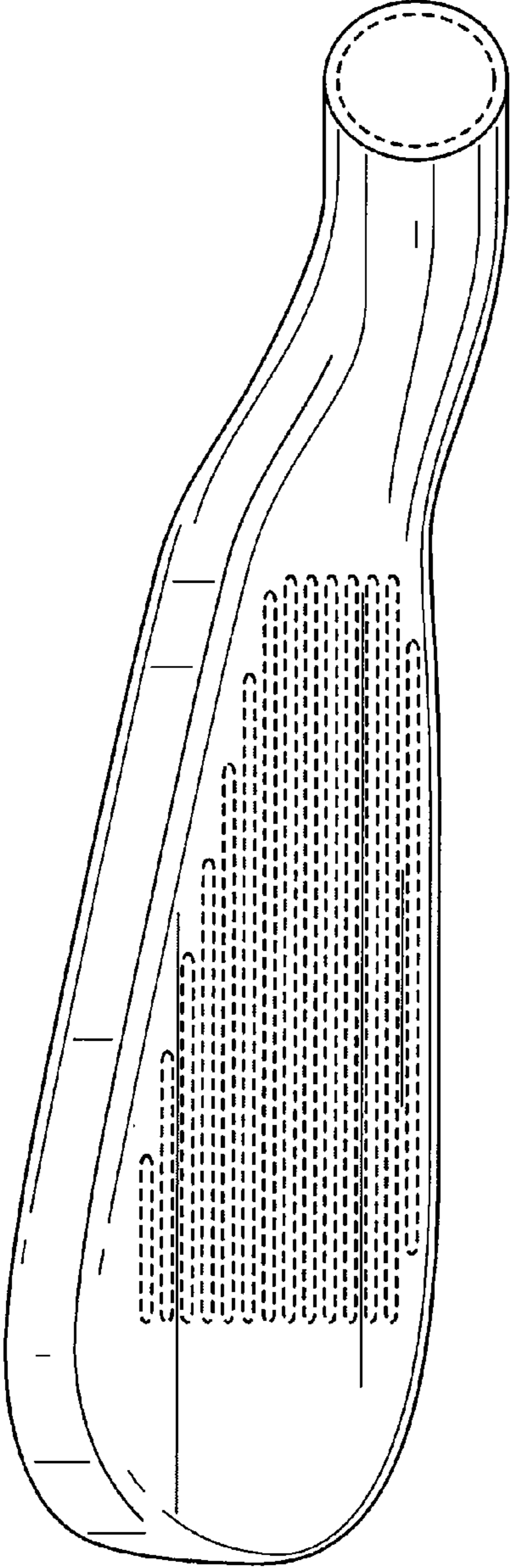


FIG. 6

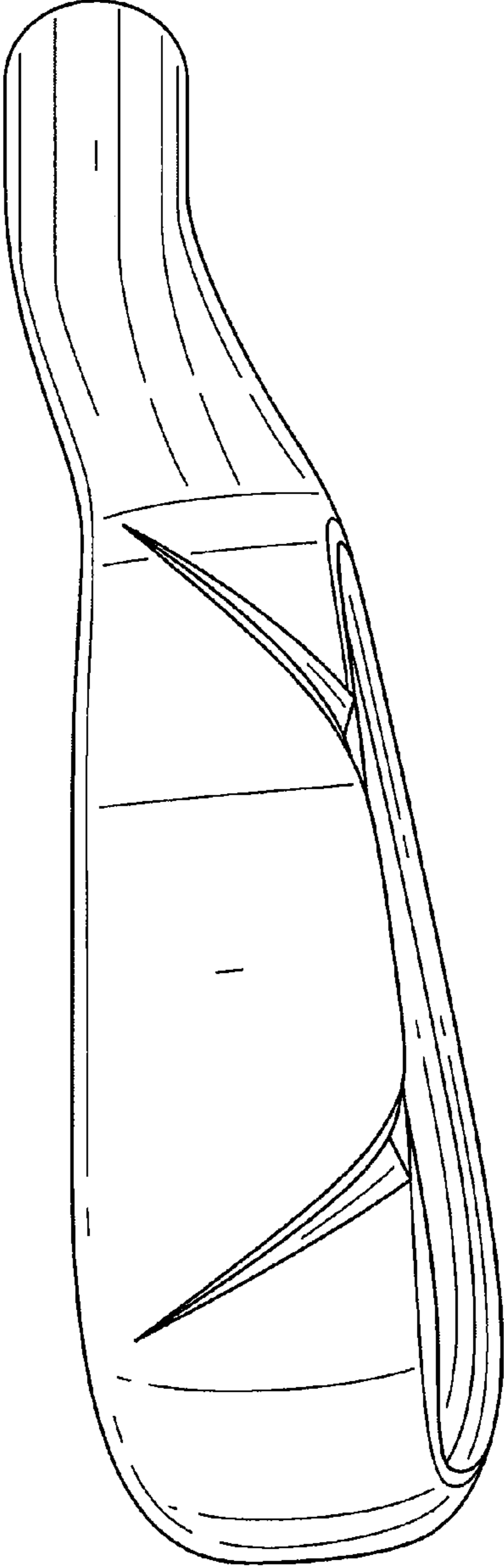


FIG. 7