



US00D647983S

(12) **United States Design Patent**
Quinn

(10) **Patent No.:** **US D647,983 S**
(45) **Date of Patent:** **** Nov. 1, 2011**

- (54) **DOOR-MOUNTED BASKETBALL HOOP**
- (75) Inventor: **Thomas A. Quinn**, Carlsbad, CA (US)
- (73) Assignee: **Pro Performance Sports, L.L.C.**,
Carlsbad, CA (US)
- (**) Term: **14 Years**
- (21) Appl. No.: **29/386,645**
- (22) Filed: **Mar. 3, 2011**

7,753,375	B1 *	7/2010	Neal et al.	273/317.3
7,794,342	B2 *	9/2010	Connerley et al.	473/481
7,955,082	B1 *	6/2011	Gause	434/248
2004/0224797	A1	11/2004	Huang	
2007/0054759	A1	3/2007	Nye et al.	
2010/0267495	A1 *	10/2010	Heystek et al.	473/447

FOREIGN PATENT DOCUMENTS

JP	2002-331057	11/2002
KR	20-1988-000424	2/1988
KR	10-1994-0020267	9/1994
KR	1020090010566 A	1/2009

OTHER PUBLICATIONS

Korean Intellectual Property Office, International Search Report for PCT/US2010/036023, mailed Dec. 14, 2010.

* cited by examiner

Primary Examiner — Catherine Tuttle

(74) *Attorney, Agent, or Firm* — Perkins Coie LLP

(57) **CLAIM**

The ornamental design for the door-mounted basketball hoop, as shown and described.

DESCRIPTION

FIG. 1 is a front, top and left side perspective view showing my new design.

FIG. 2 is a front view.

FIG. 3 is a back view.

FIG. 4 is a right side view.

FIG. 5 is a left side view.

FIG. 6 is a top view; and,

FIG. 7 is a bottom view.

The broken lines are included for the purpose of illustrating portions of the door mounted basketball hoop that form no part of the claimed design.

1 Claim, 4 Drawing Sheets

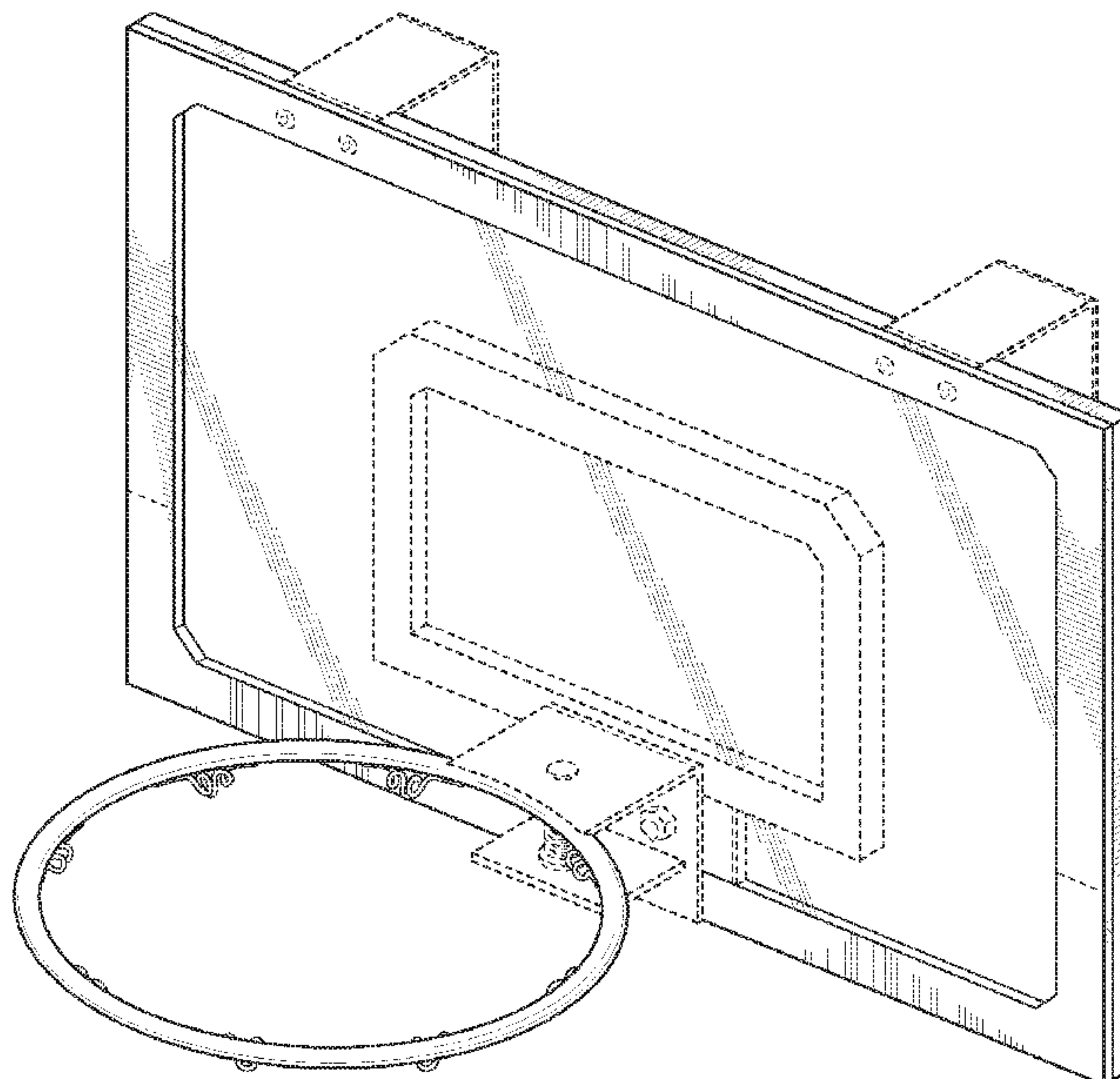
Related U.S. Application Data

- (63) Continuation of application No. 12/786,646, filed on May 25, 2010.
- (51) **LOC (9) Cl.** **21-02**
- (52) **U.S. Cl.** **D21/703**
- (58) **Field of Classification Search** D21/300–306,
D21/698–705, 781; 473/415–504; 273/317–412
See application file for complete search history.

(56) **References Cited**

U.S. PATENT DOCUMENTS

RE20,898	E *	10/1938	Schabinger	473/487
2,517,463	A	8/1950	Cobb	
3,194,555	A *	7/1965	Humphrey	473/485
4,468,027	A	8/1984	Pangburn	
4,483,534	A	11/1984	O'Donnell	
4,715,600	A	12/1987	Offutt	
4,926,060	A	5/1990	Sittig	
5,098,108	A	3/1992	McKinney	
D327,928	S	7/1992	Cochran	
D337,199	S	7/1993	Ochs	
5,902,198	A	5/1999	Martin et al.	
D431,620	S	10/2000	Hill	
7,052,418	B2 *	5/2006	Nye et al.	473/481
D608,848	S	1/2010	Quinn	



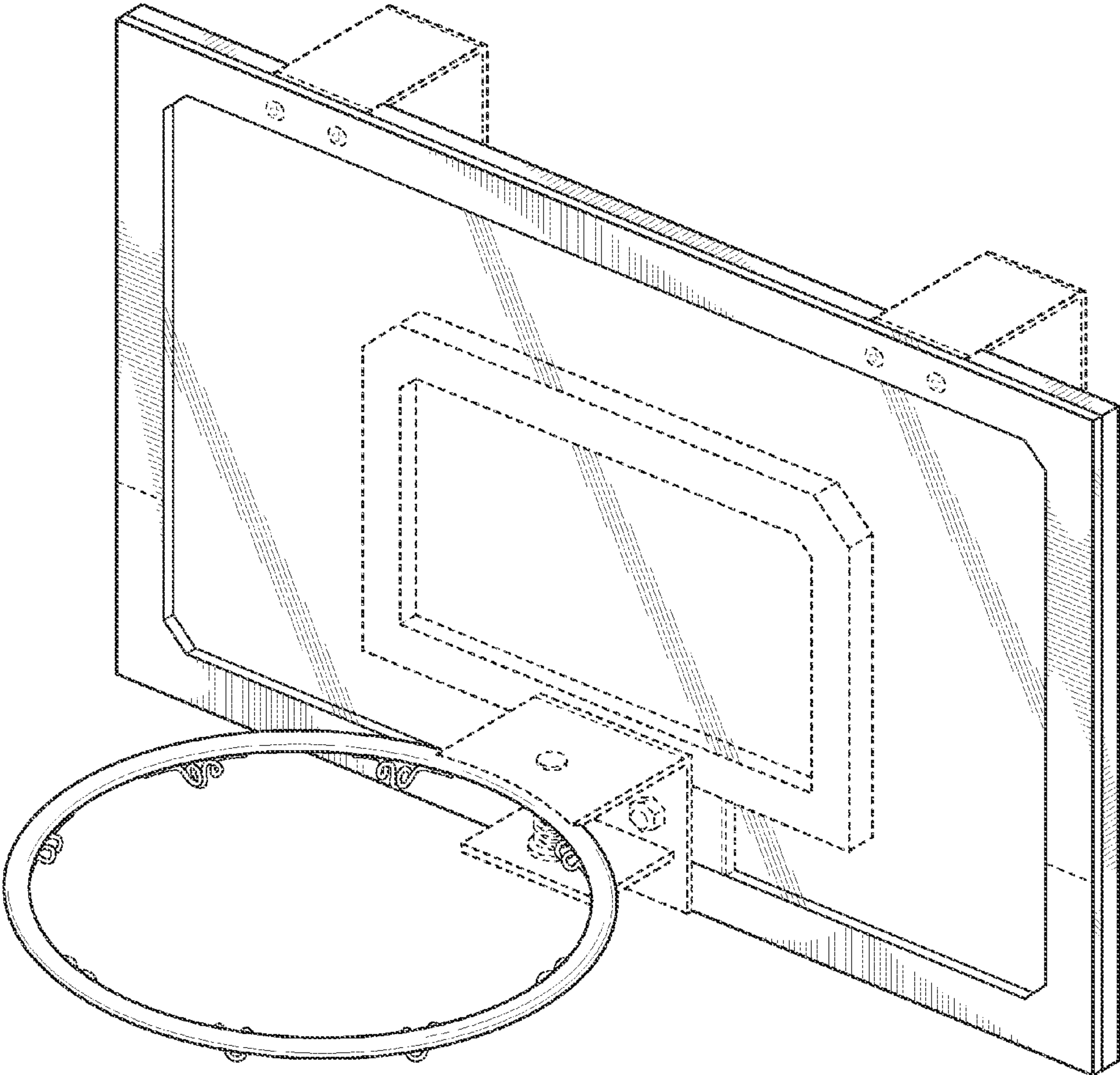


FIG. 1

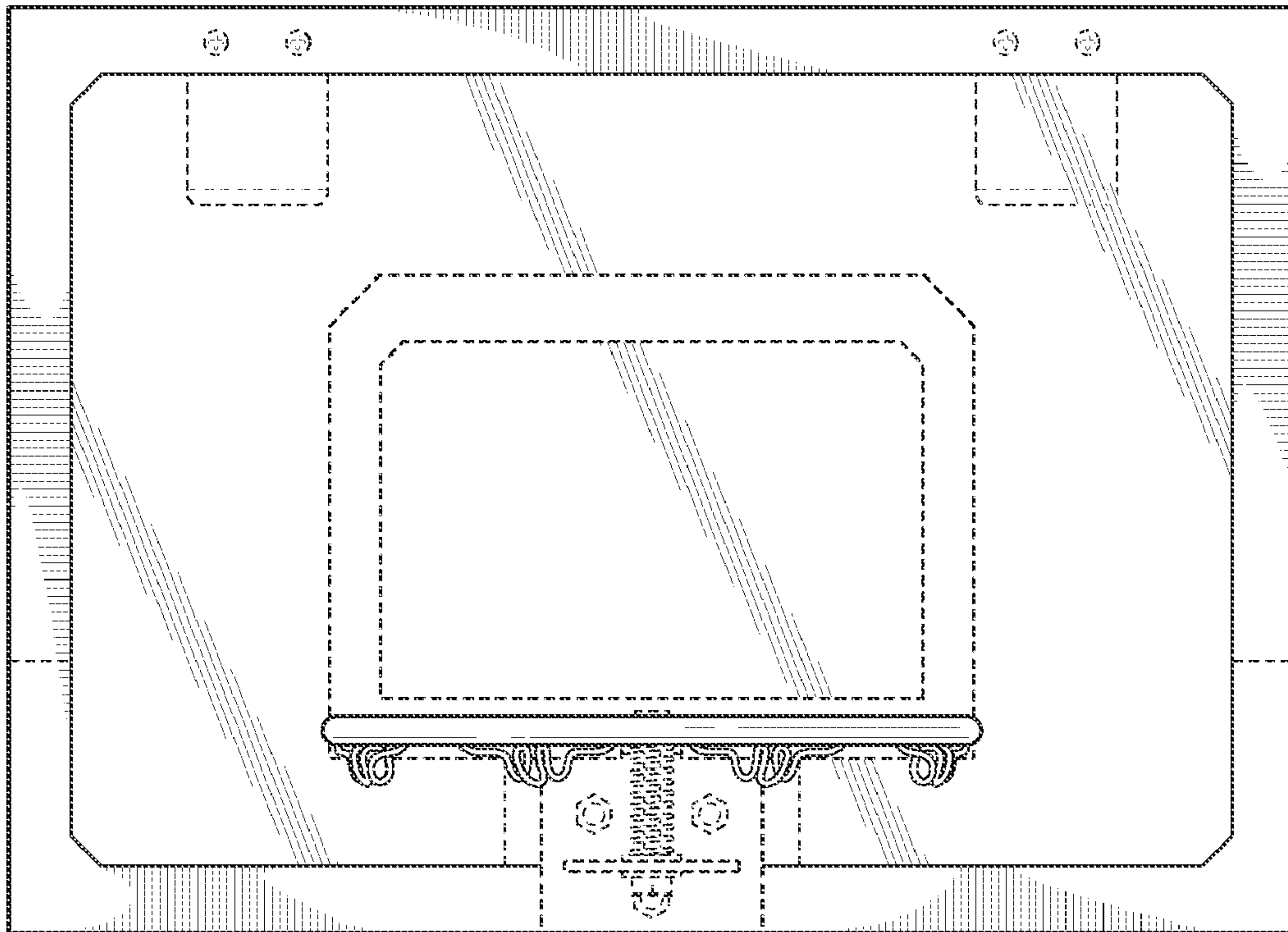


FIG. 2

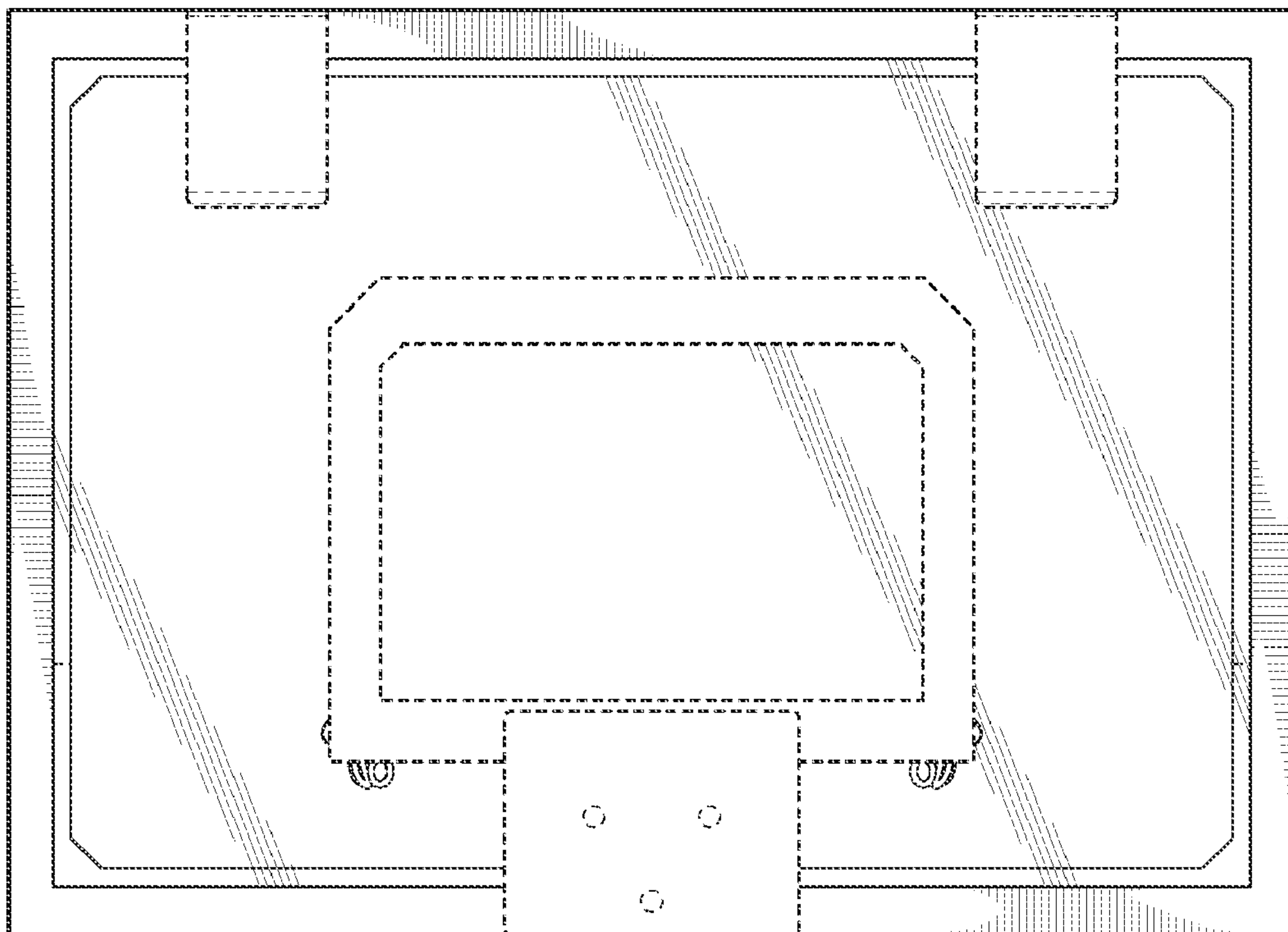


FIG. 3

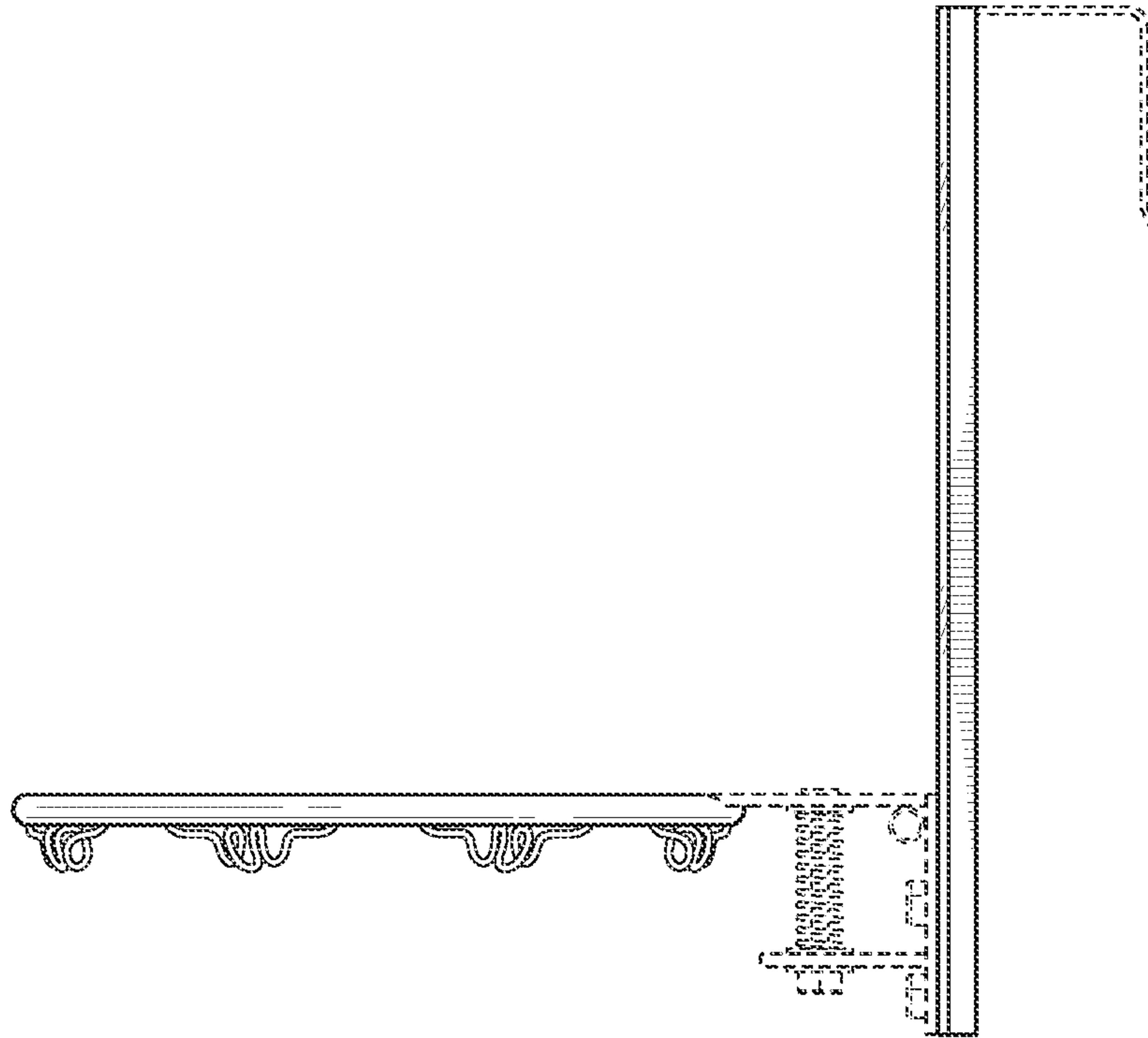


FIG. 4

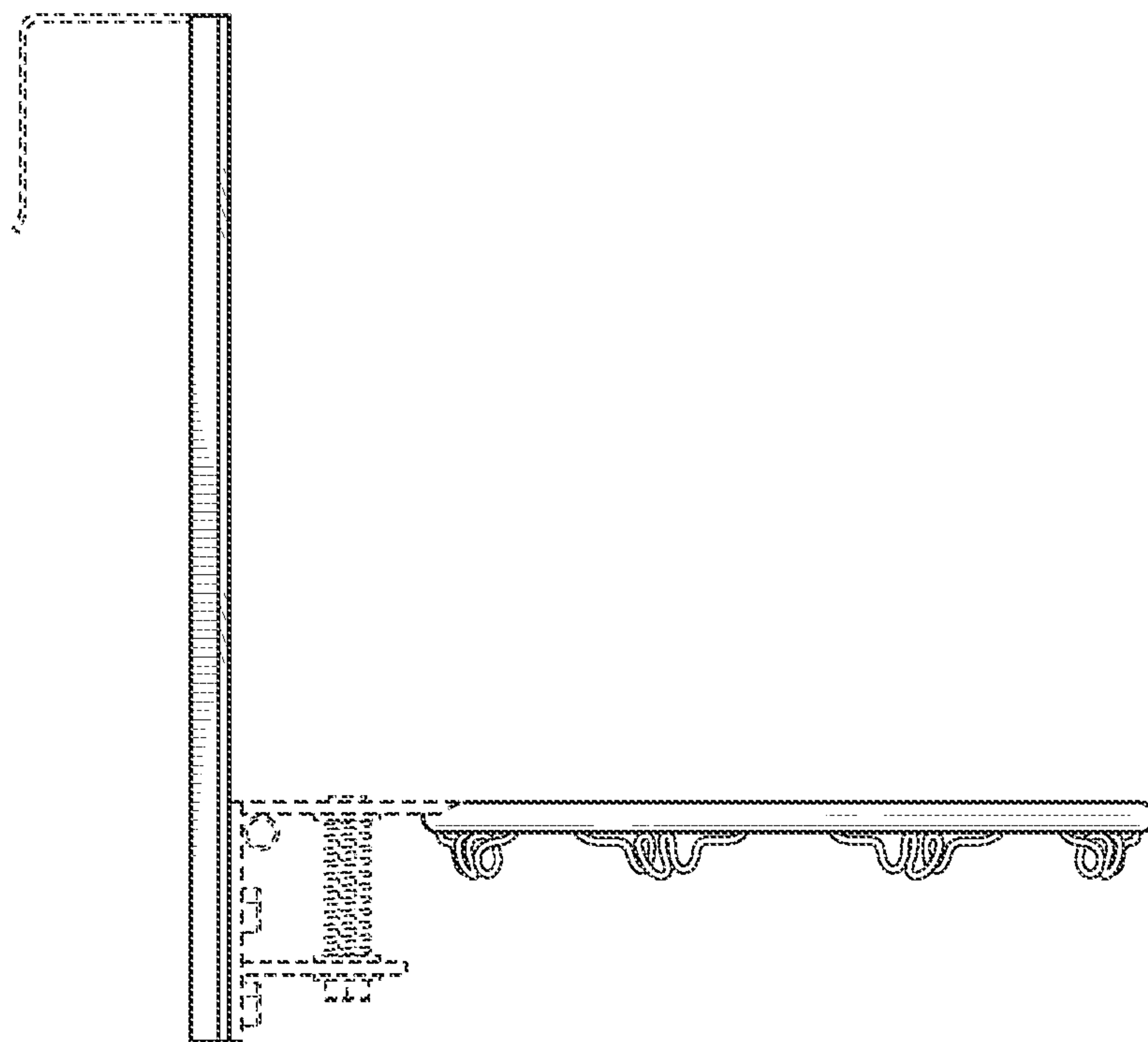


FIG. 5

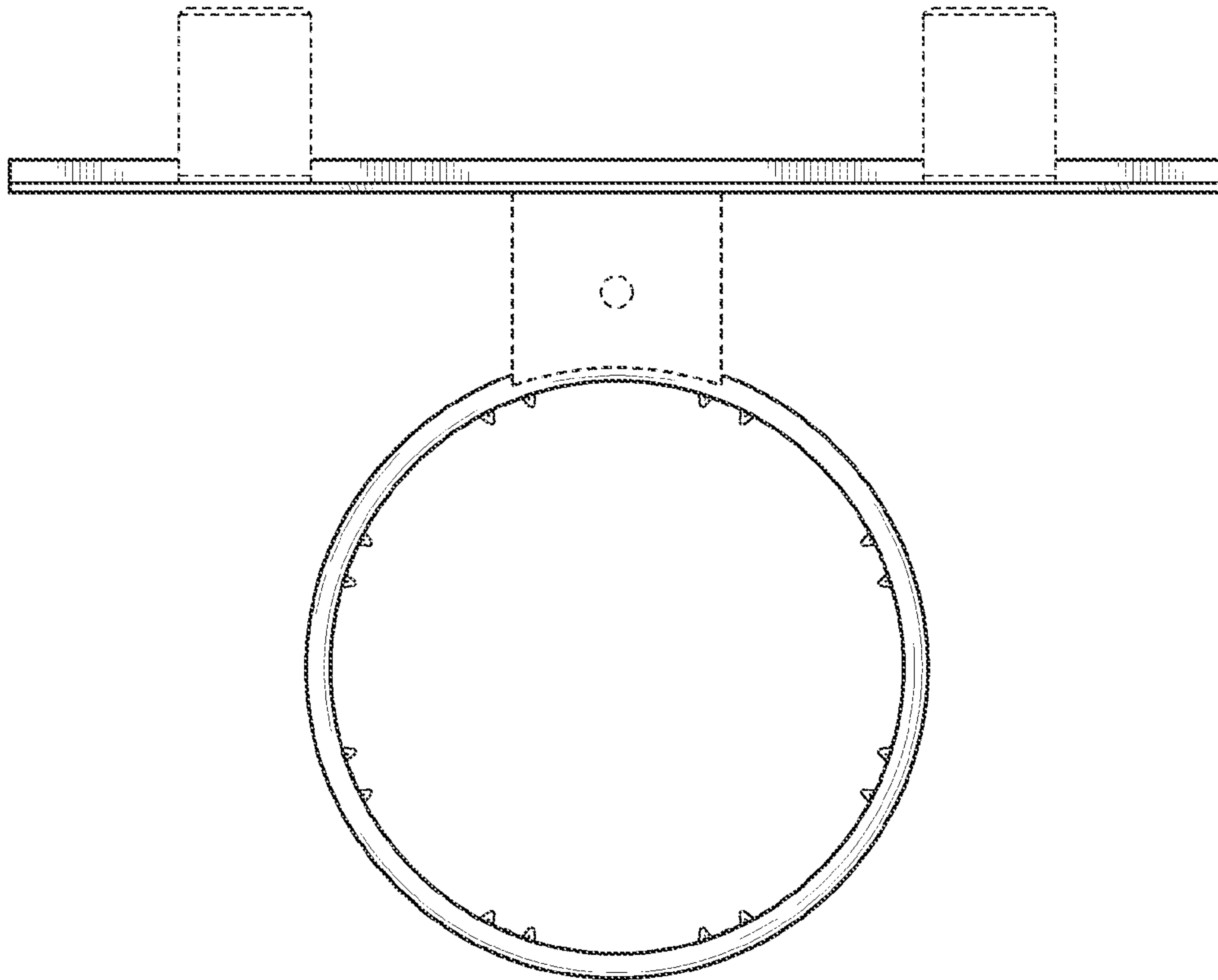


FIG. 6

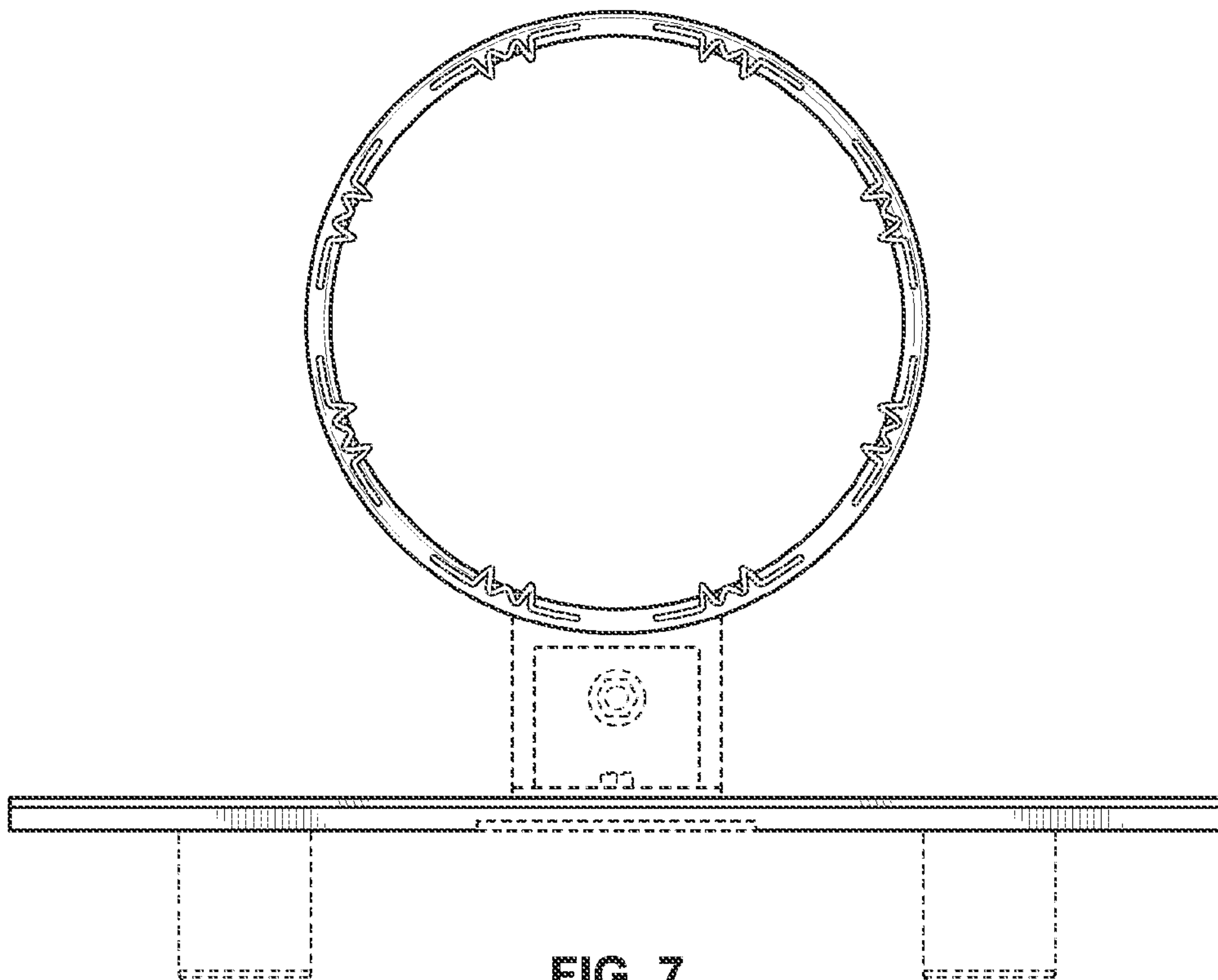


FIG. 7