



US00D647982S

(12) **United States Design Patent**
Hilgart et al.

(10) **Patent No.:** **US D647,982 S**
(45) **Date of Patent:** **** Nov. 1, 2011**

- (54) **BICYCLE TRAINER FRAME**
- (75) Inventors: **Randy J. Hilgart**, Cottage Grove, WI (US); **Benjamin R. Bass**, Madison, WI (US); **Nicholas S. Blair**, Whitefish Bay, WI (US)
- (73) Assignee: **Saris Cycling Group, Inc.**, Madison, WI (US)

6,361,477	B1 *	3/2002	Kolda	482/61
6,620,081	B2	9/2003	Phillips		
6,702,721	B2	3/2004	Schroeder		
6,736,761	B2	5/2004	Huang		
6,843,758	B2	1/2005	Qiu		
7,011,607	B2	3/2006	Kolda et al.		
7,101,320	B2	9/2006	Qiu		
7,407,466	B2 *	8/2008	Chiu	482/61
D593,625	S	6/2009	Pedrini		
7,758,474	B1 *	7/2010	Pedrini	482/61
2004/0053751	A1 *	3/2004	Pizolato	482/61

(**) Term: **14 Years**

(21) Appl. No.: **29/385,868**

(22) Filed: **Feb. 22, 2011**

(51) **LOC (9) Cl.** **21-02**

(52) **U.S. Cl.** **D21/664**

(58) **Field of Classification Search** D21/662-667, D21/686-687, 691, 694, 697; D6/552; 606/241-244; 482/57, 61, 63, 140, 142-145
See application file for complete search history.

(56) **References Cited**

U.S. PATENT DOCUMENTS

591,969	A *	10/1897	Hiekisch	211/22
D269,691	S *	7/1983	Ornstein et al.	D21/691
D298,156	S	10/1988	Blackburn		
D306,193	S	2/1990	Blackburn		
4,941,651	A	7/1990	Phillips		
D311,884	S	11/1990	Kagayama		
5,026,047	A *	6/1991	Kosecoff	482/59
D334,038	S	3/1993	Case		
5,397,285	A *	3/1995	Haan et al.	482/61
5,468,201	A *	11/1995	Minoura	482/61
5,611,759	A *	3/1997	Zeh et al.	482/61
D381,853	S *	8/1997	Funcich	D6/552
5,800,316	A *	9/1998	Huang	482/61
5,944,637	A	8/1999	Stickler et al.		
6,019,708	A	2/2000	Kaminski et al.		
6,203,472	B1 *	3/2001	McCaffrey et al.	482/61

OTHER PUBLICATIONS

“Owner’s Manual for the FLUID2, MAGNETO, MAG, MAG+, and Wind Trainers”, CycleOps, 5253 Verona Road, Madison, Wi 53711, Jul. 2006, 8 pages.
“ProTrainer”, <http://www.kurtkinetic.com/images/products/protrainer.jpg>, May 23, 2008, 3 pages.

* cited by examiner

Primary Examiner — Susan E Krakower

(74) *Attorney, Agent, or Firm* — Boyle Fredrickson, S.C.

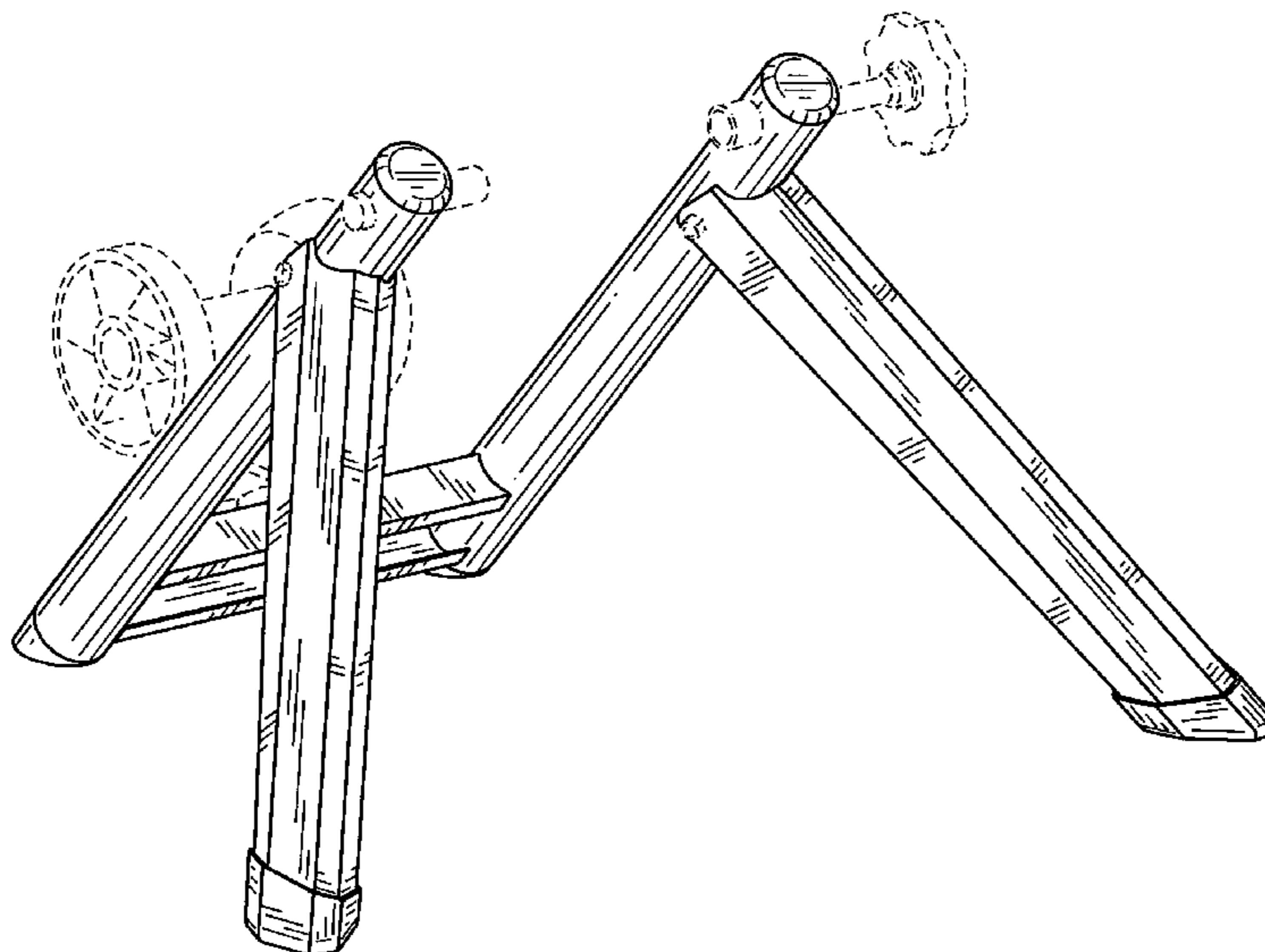
(57) **CLAIM**

The ornamental design of a bicycle trainer frame, as shown and described.

DESCRIPTION

FIG. 1 is an isometric view of a bicycle training frame incorporating our new design;
FIG. 2 is a front elevation view thereof;
FIG. 3 is a rear elevation view thereof;
FIG. 4 is a right side elevation view thereof;
FIG. 5 is a left side elevation view thereof;
FIG. 6 is a top plan view thereof; and,
FIG. 7 is a bottom plan view thereof.
The broken lines illustrate portions of the bicycle training frame which form no part of the claimed design.

1 Claim, 6 Drawing Sheets



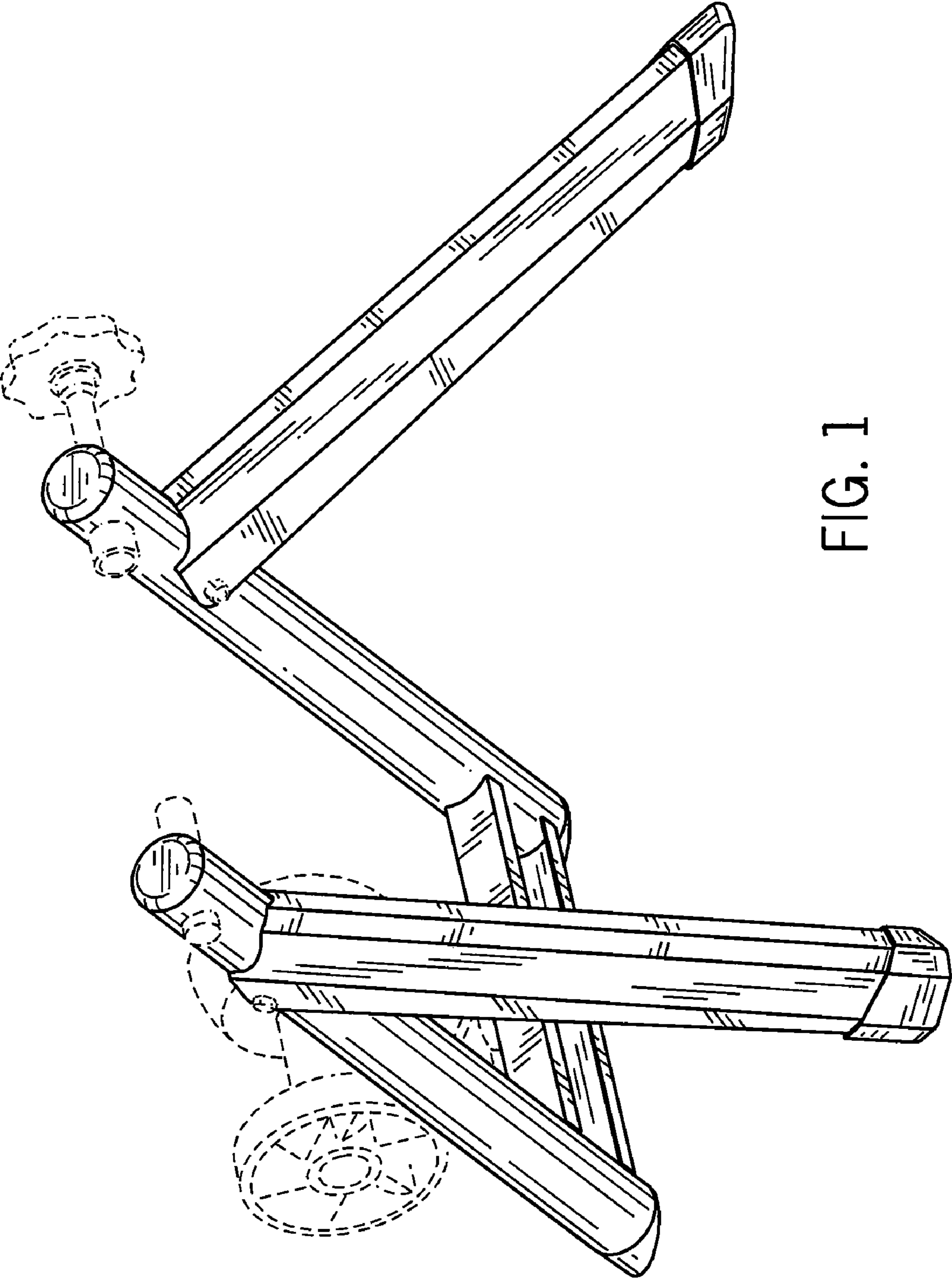


FIG. 1

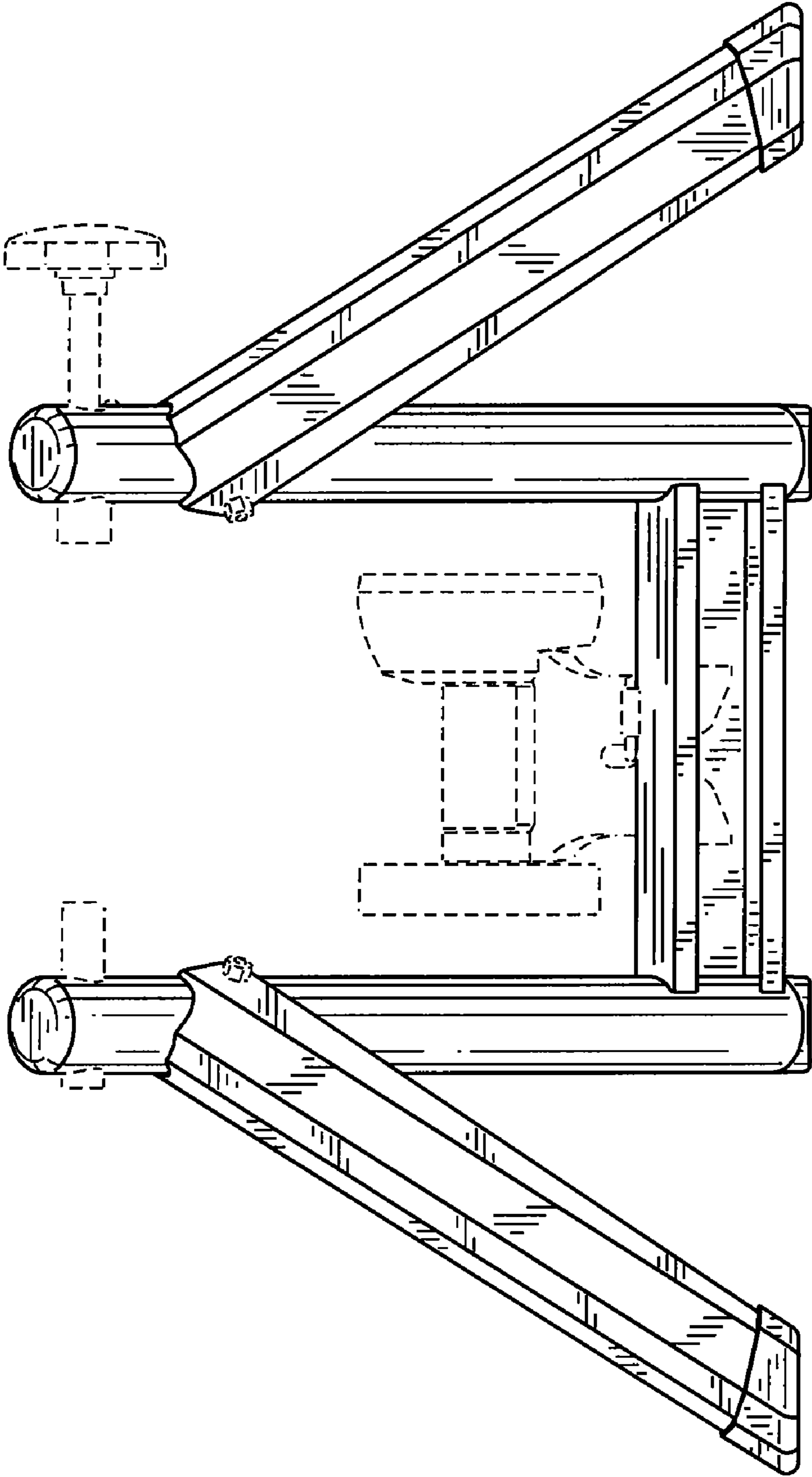


FIG. 2

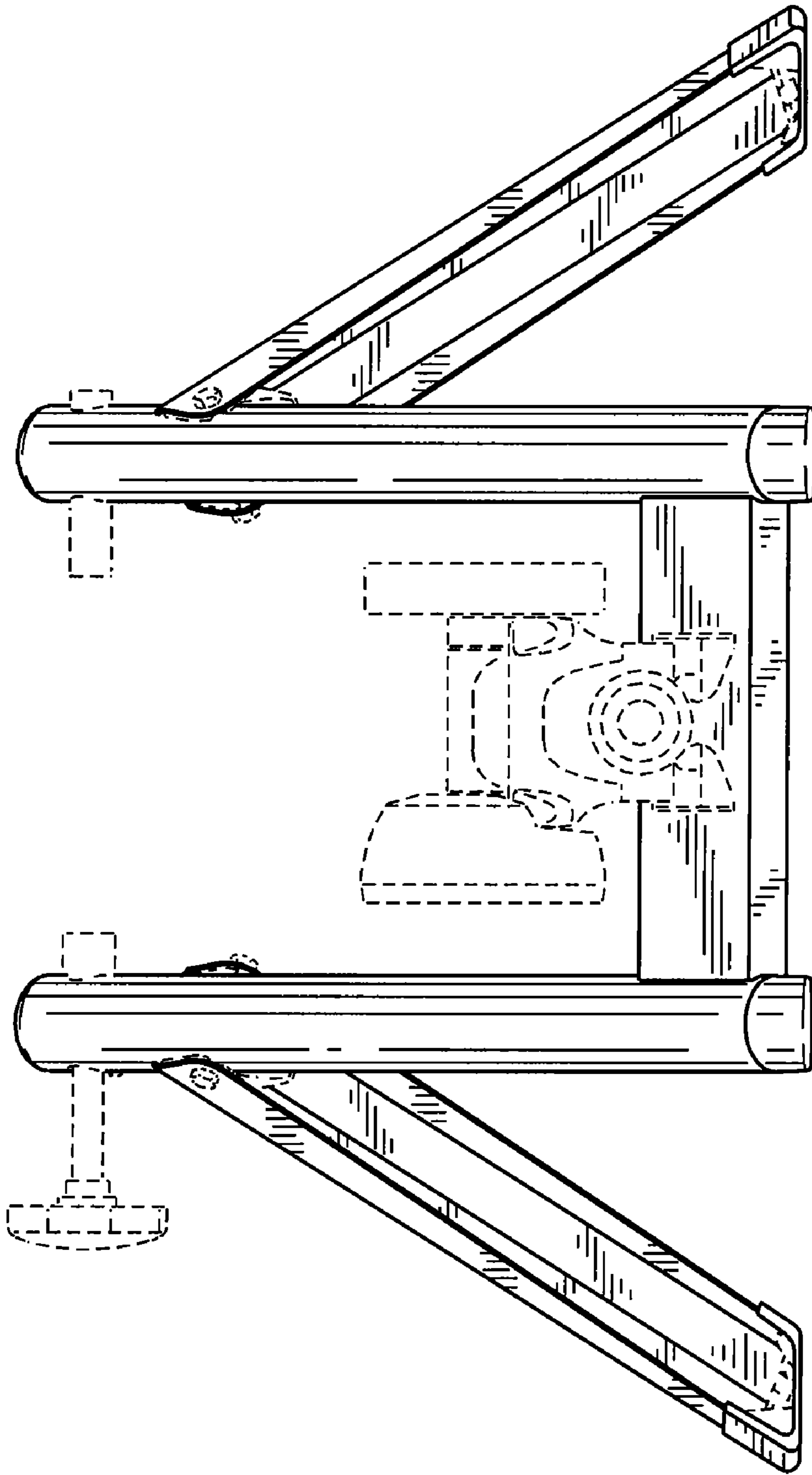


FIG. 3

FIG. 4

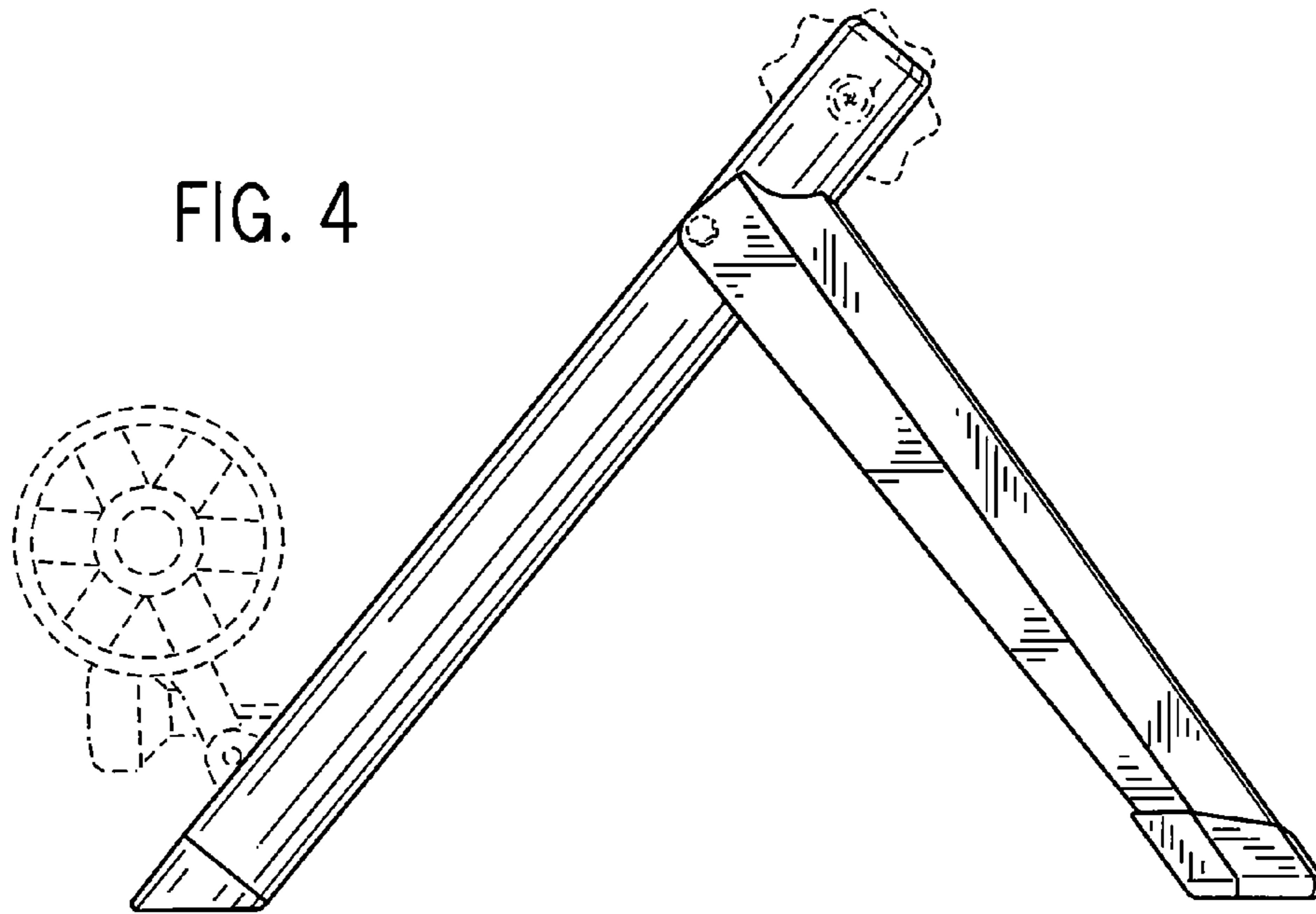
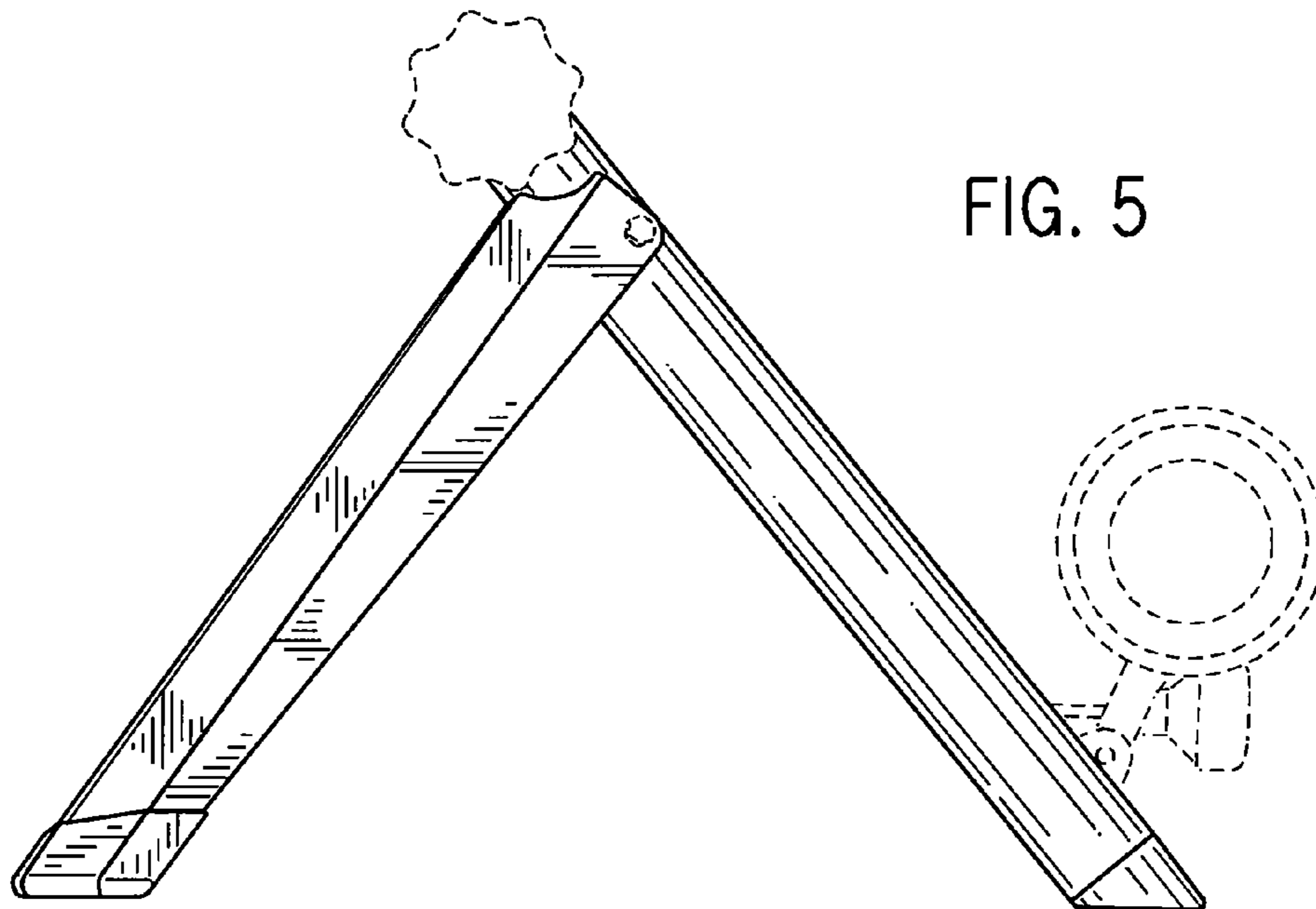


FIG. 5



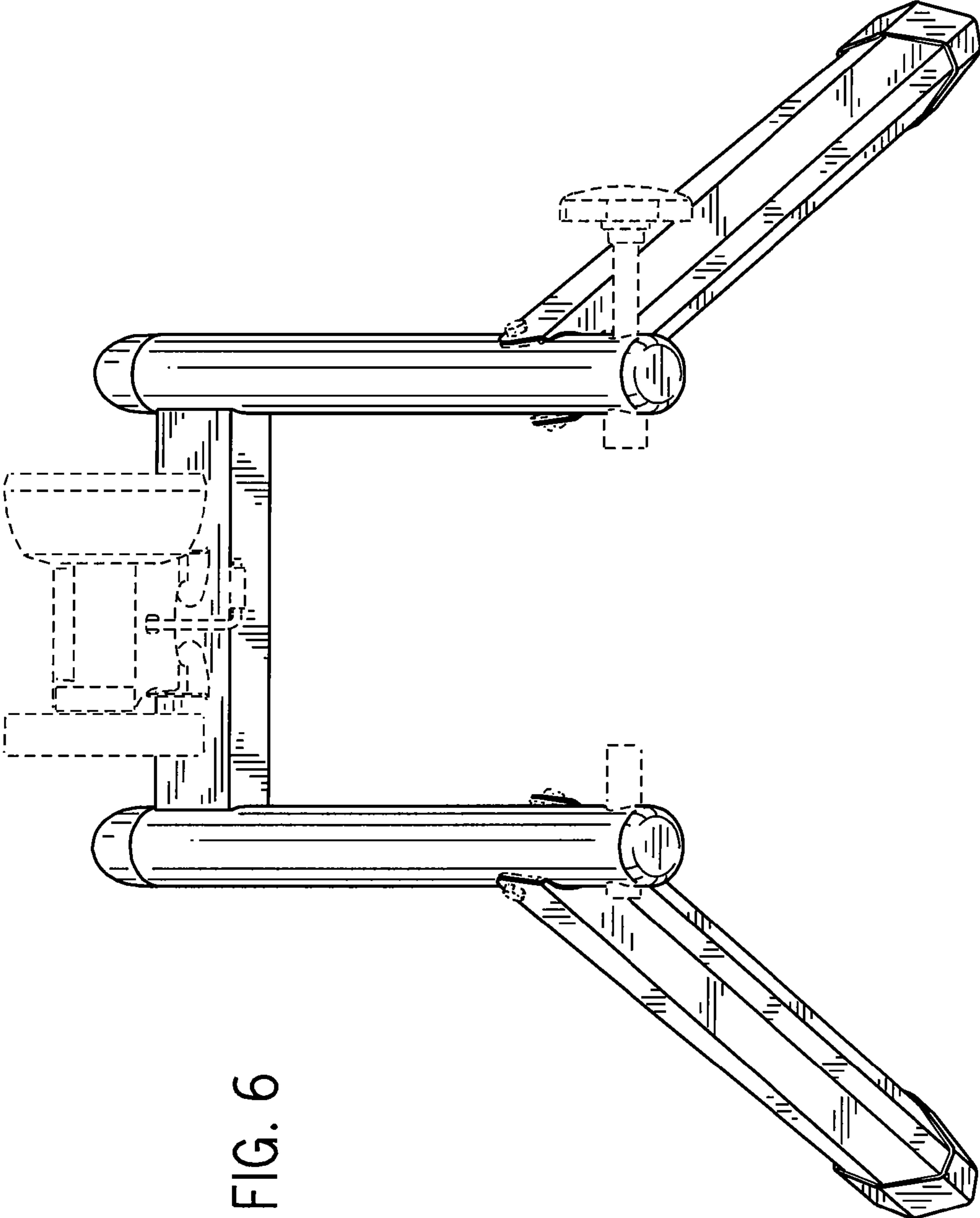


FIG. 6

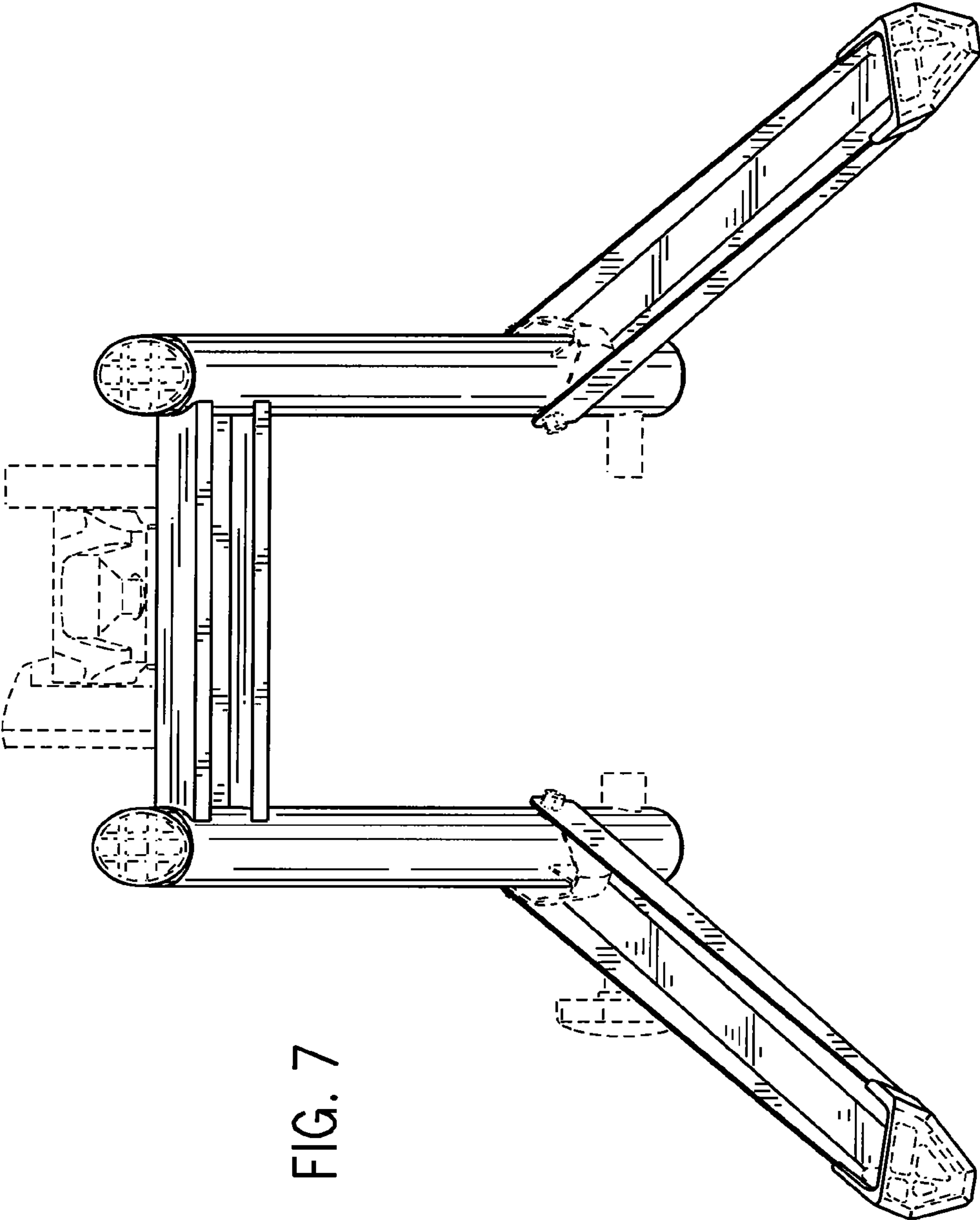


FIG. 7