



US00D647981S

(12) **United States Design Patent**
Chen

(10) **Patent No.:** **US D647,981 S**

(45) **Date of Patent:** **** Nov. 1, 2011**

(54) **HOUSING FOR EXERCISER**

(75) Inventor: **Jian Jang Chen**, Taoyuan County (TW)

(73) Assignee: **Healthstream Taiwan Inc.**, Taoyuan County (TW)

(**) Term: **14 Years**

(21) Appl. No.: **29/393,913**

(22) Filed: **Jun. 10, 2011**

(30) **Foreign Application Priority Data**

Jun. 2, 2011 (TW) 100302762

(51) **LOC (9) Cl.** **21-02**

(52) **U.S. Cl.** **D21/663; D21/694**

(58) **Field of Classification Search** D21/662-670,
D21/694, 697; 482/51-52, 57-65; 280/266,
280/282, 284, 288.1, 288.3, 304.4, 835; D12/111
See application file for complete search history.

(56) **References Cited**

U.S. PATENT DOCUMENTS

D218,338 S *	8/1970	Dimick et al.	D21/667
D288,706 S *	3/1987	Gremonprez et al.	D21/667
D291,822 S *	9/1987	Liu	D21/663
D301,729 S *	6/1989	Capjon	D21/663
D306,626 S *	3/1990	Szymiski et al.	D21/663
D307,782 S *	5/1990	Birrell et al.	D21/663
D309,335 S *	7/1990	Yang	D21/667
D309,336 S *	7/1990	Yang	D21/663
D310,697 S *	9/1990	Kagayama	D21/663
D325,410 S *	4/1992	Chen	D21/667
D329,073 S *	9/1992	Hsiao	D21/663

D344,313 S *	2/1994	Wu	D21/663
D344,774 S *	3/1994	Lertyaovarit	D21/667
D353,690 S *	12/1994	Tsushi et al.	D21/663
D357,953 S *	5/1995	Warehime et al.	D21/667
D360,002 S *	7/1995	Wu	D21/667
D360,916 S *	8/1995	Koga	D21/663
D366,298 S *	1/1996	Wu	D21/663
D444,515 S *	7/2001	Moran et al.	D21/663
D463,835 S *	10/2002	Nishizawa	D21/663
D512,754 S *	12/2005	Nagano	D21/663
D519,171 S *	4/2006	Kuo	D21/663
D526,031 S *	8/2006	Corbalis et al.	D21/663
D569,926 S *	5/2008	Bingham et al.	D21/697
D620,059 S *	7/2010	Horita et al.	D21/663
7,762,931 B2 *	7/2010	Fisher et al.	482/57

* cited by examiner

Primary Examiner — Susan E Krakower

(74) *Attorney, Agent, or Firm* — Muncy, Geissler, Olds & Lowe, PLLC

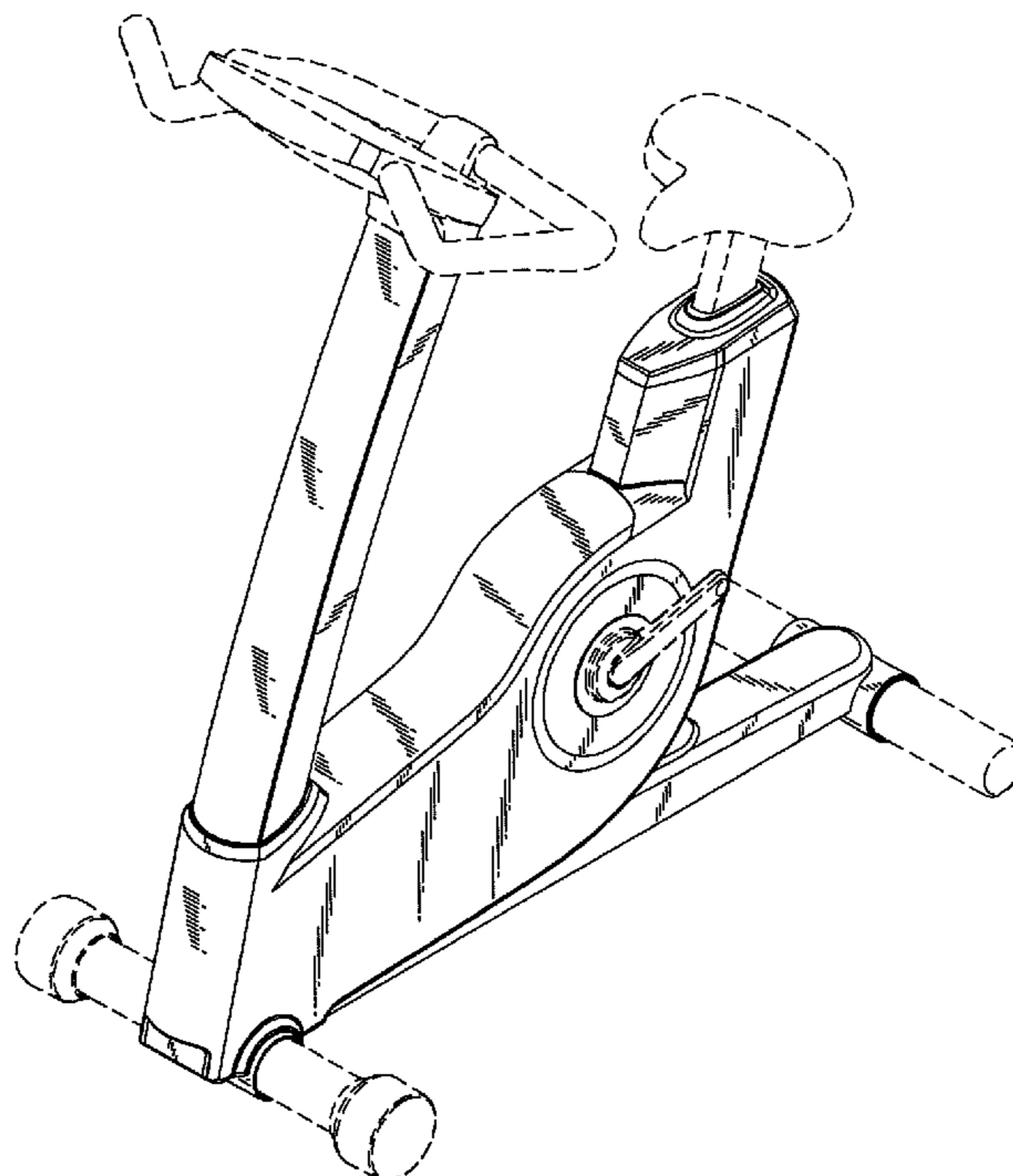
(57) **CLAIM**

The ornamental design for a housing for exerciser, as shown and described.

DESCRIPTION

FIG. 1 shows a perspective view of the present design. FIG. 2 shows a front view of the present design. FIG. 3 shows a rear view of the present design. FIG. 4 shows a left side view of the present design. FIG. 5 shows a right side view of the present design. FIG. 6 shows a top plan view of the present design; and, FIG. 7 shows a bottom plan view of the present design. The broken lines illustrate portions of the exerciser which form no part of the claimed design.

1 Claim, 6 Drawing Sheets



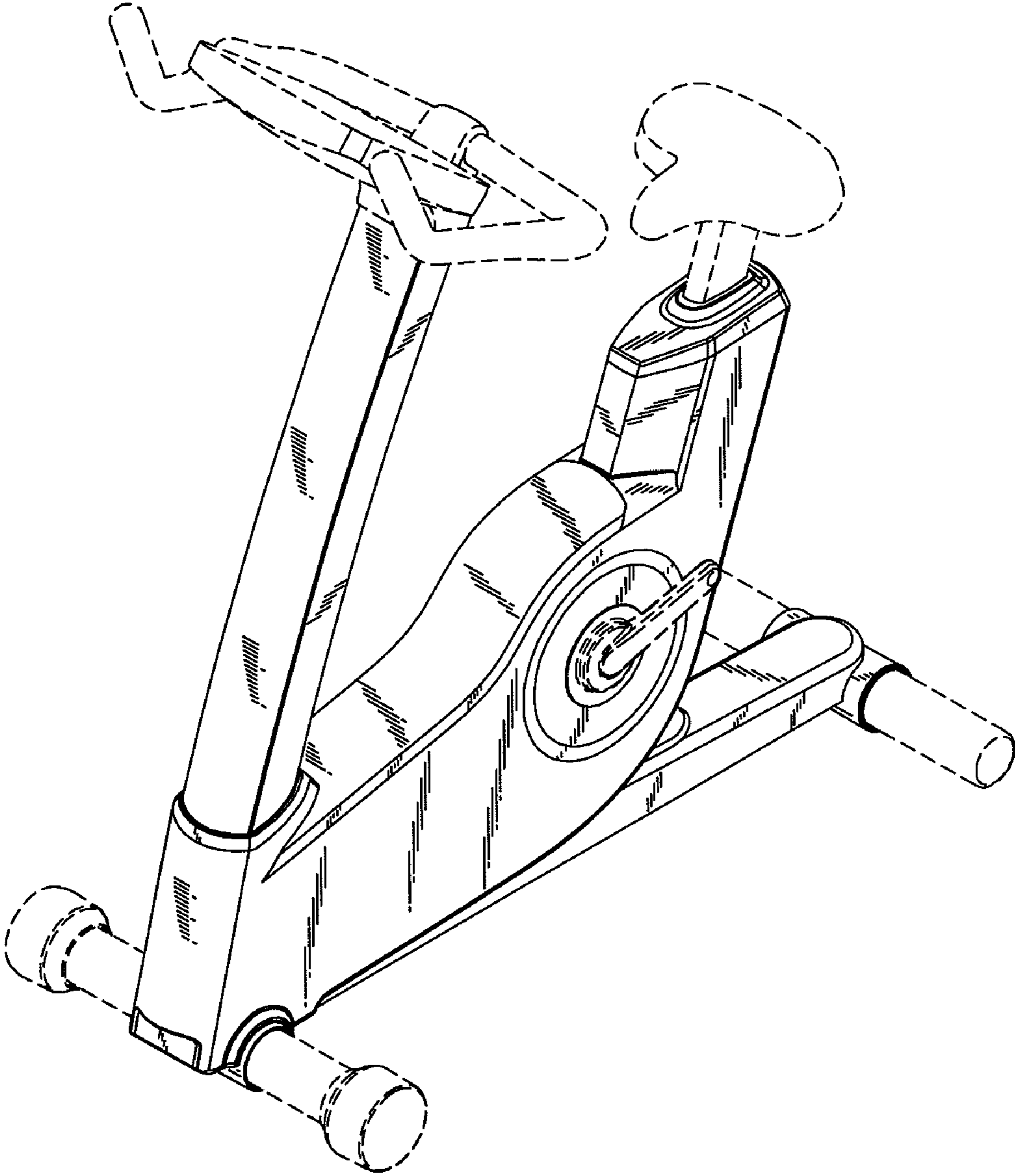


FIG. 1

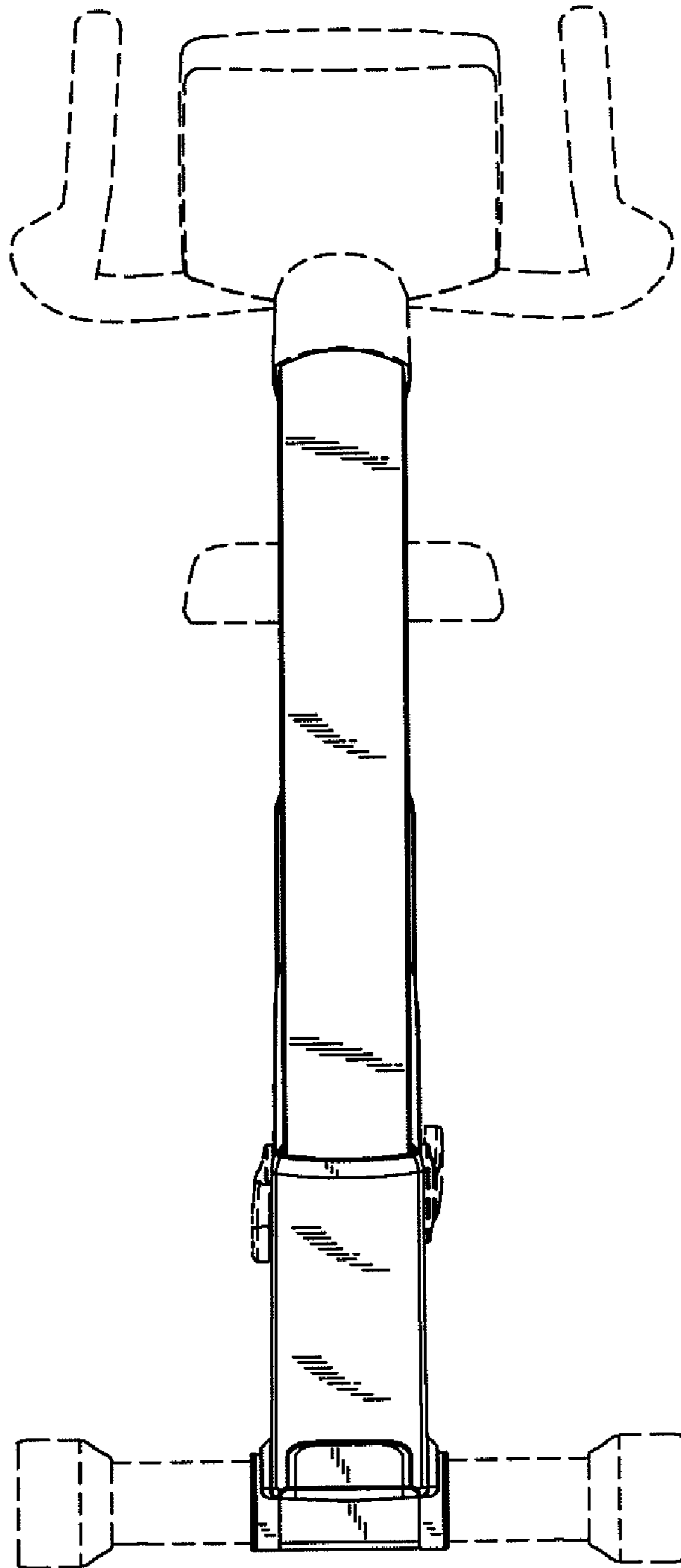


FIG. 2

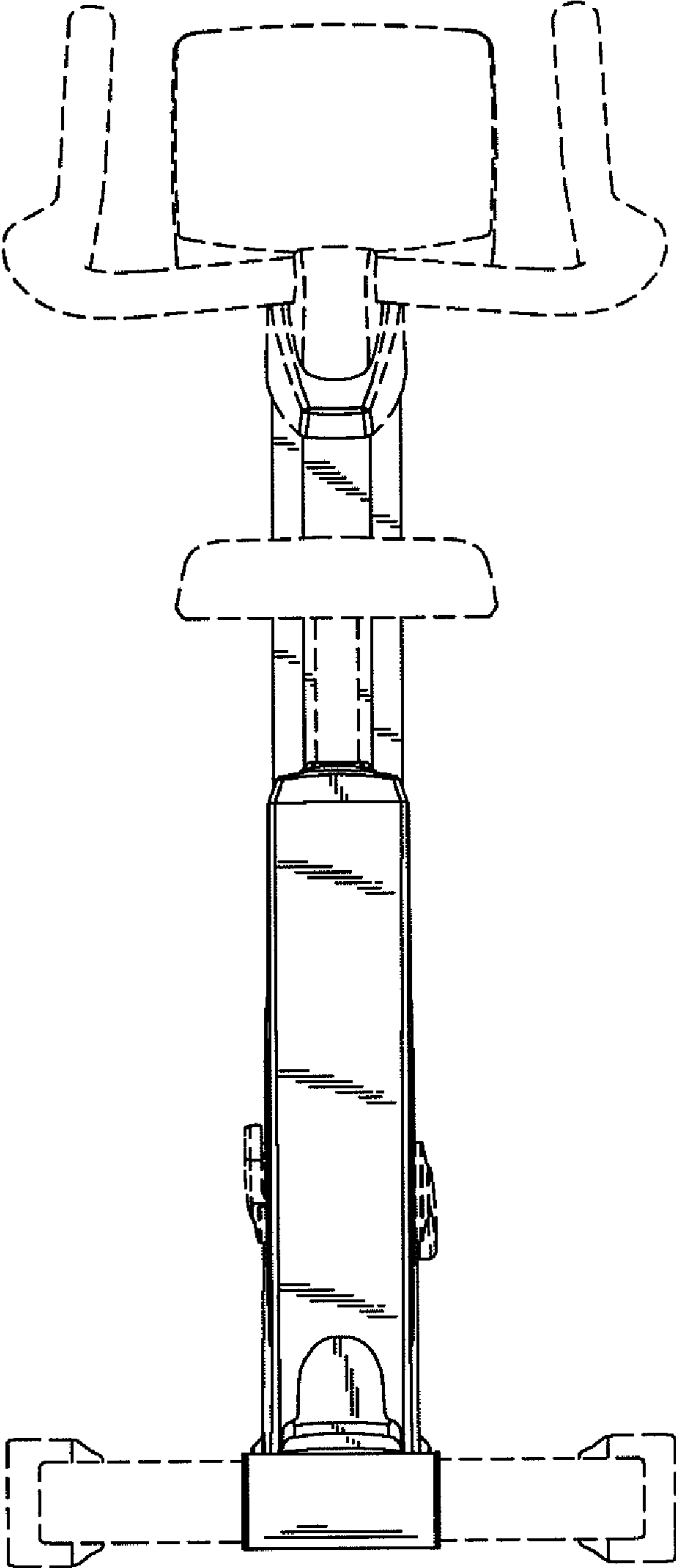


FIG. 3

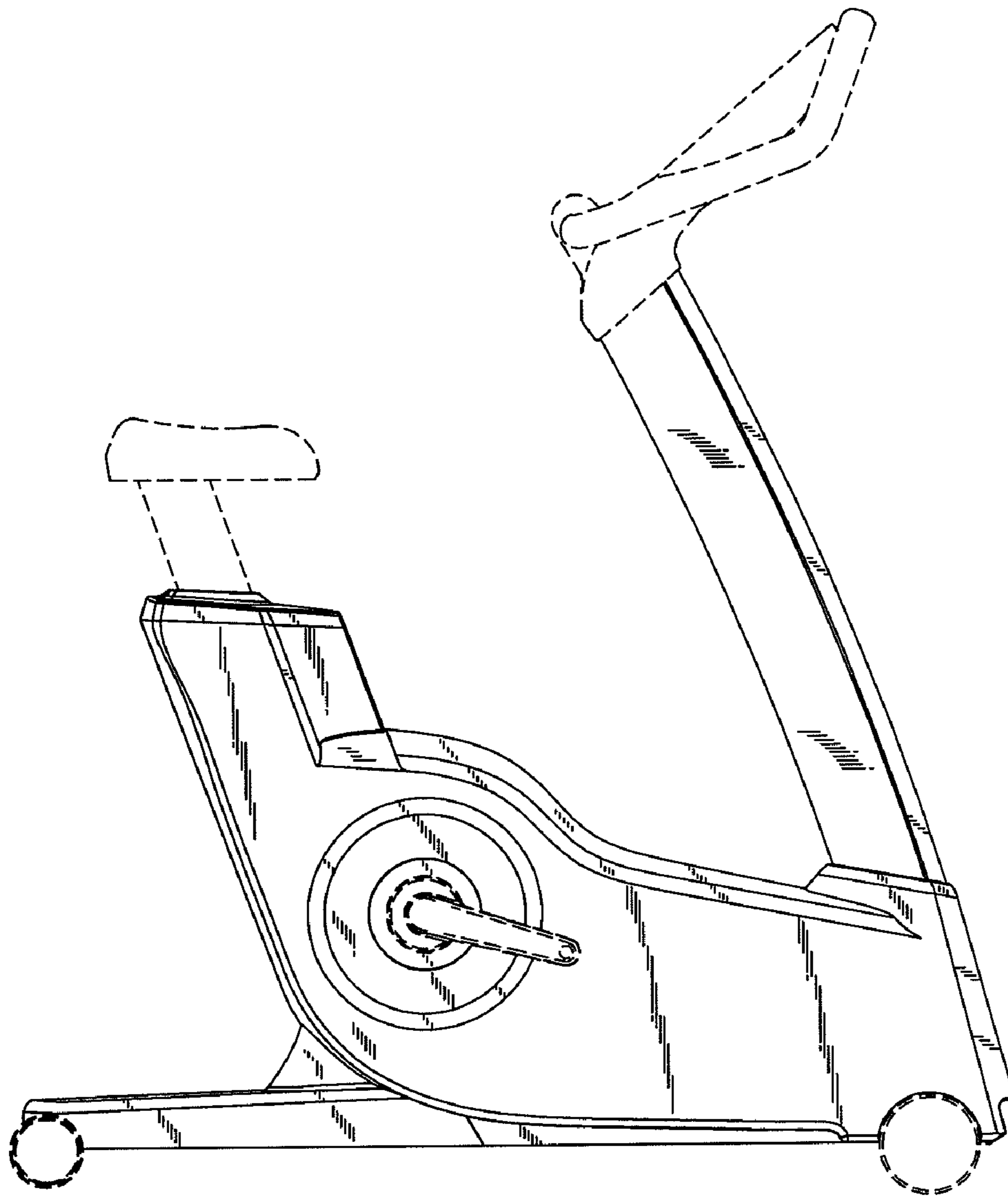


FIG. 4

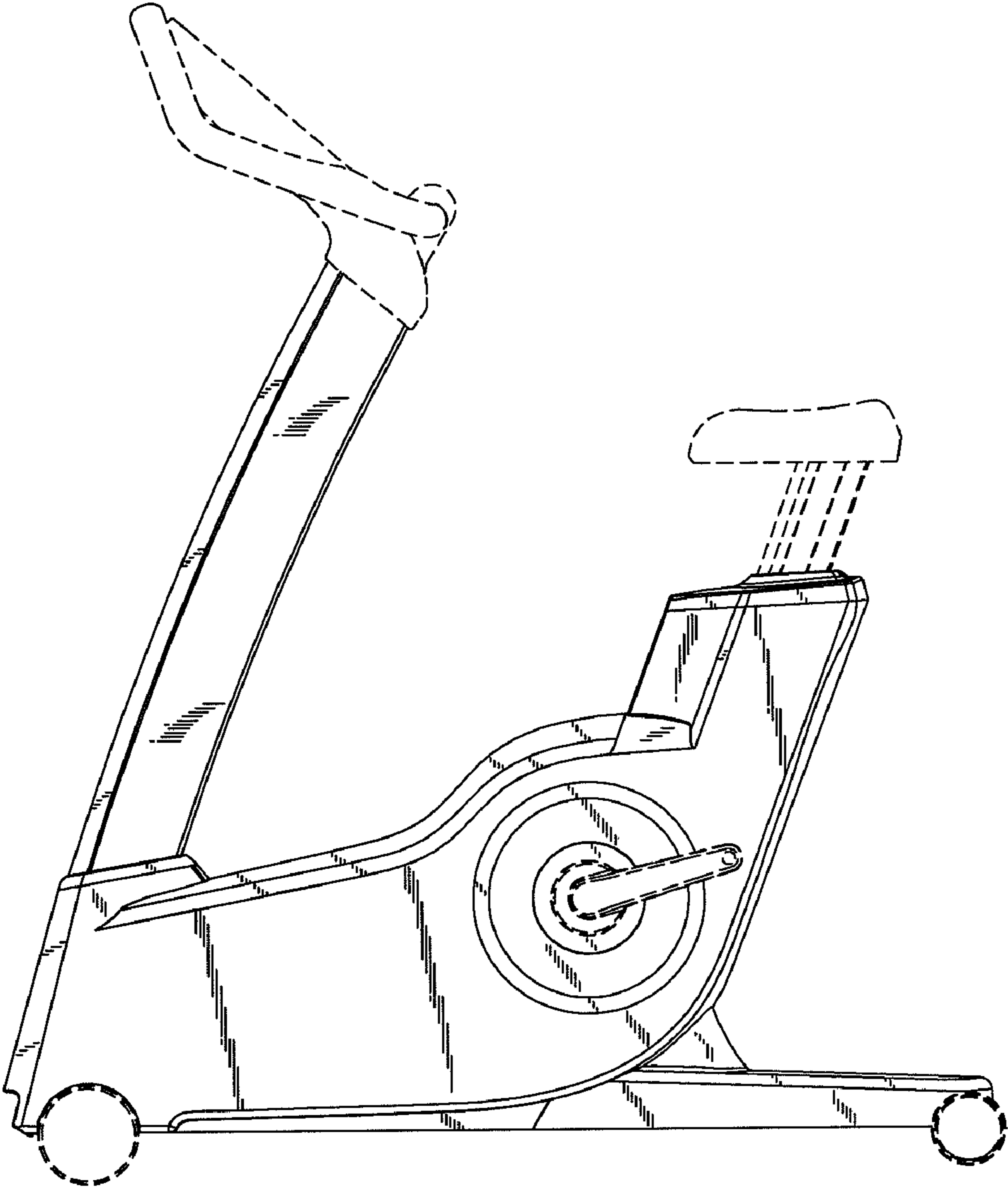


FIG. 5

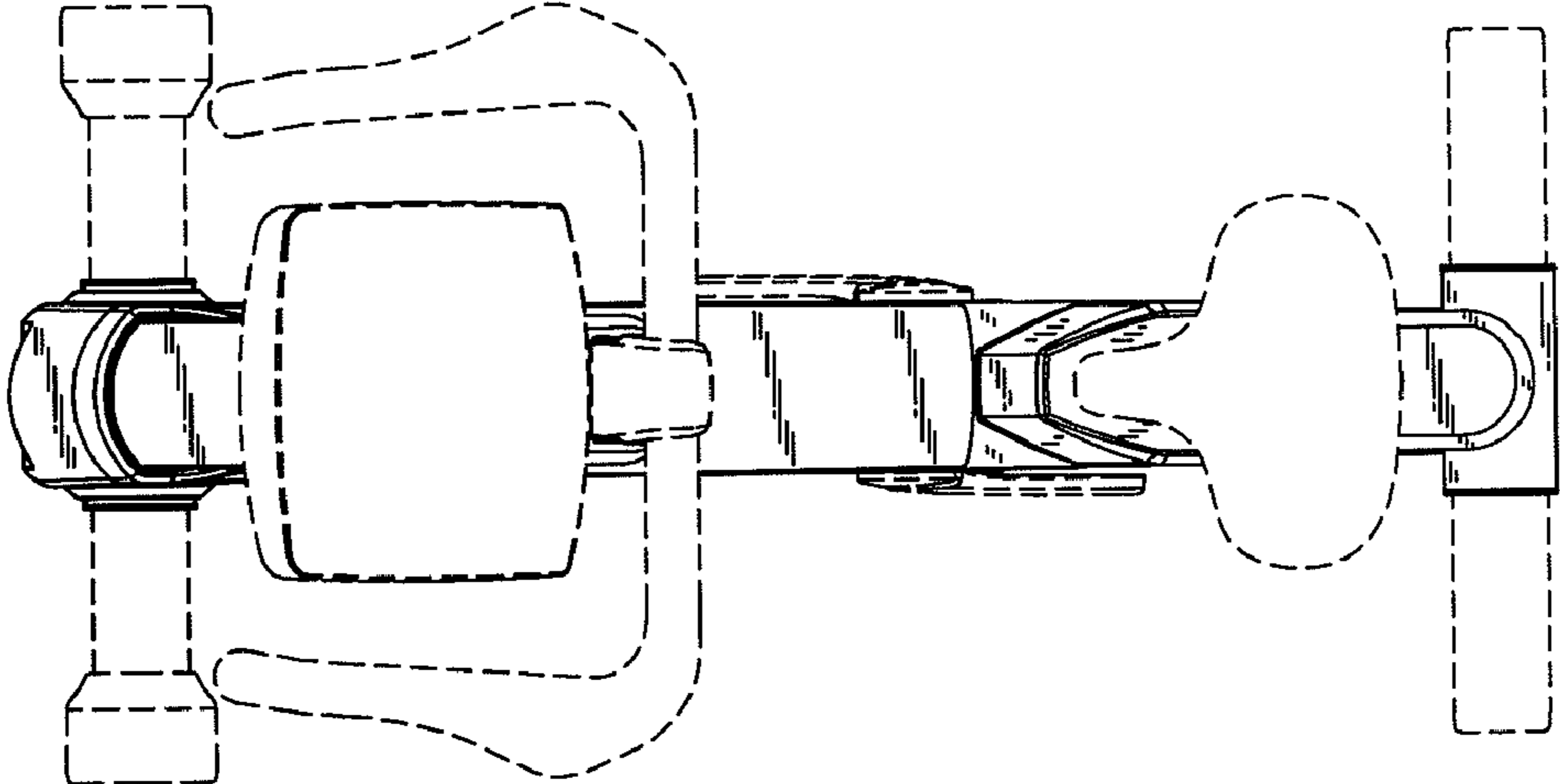


FIG. 6

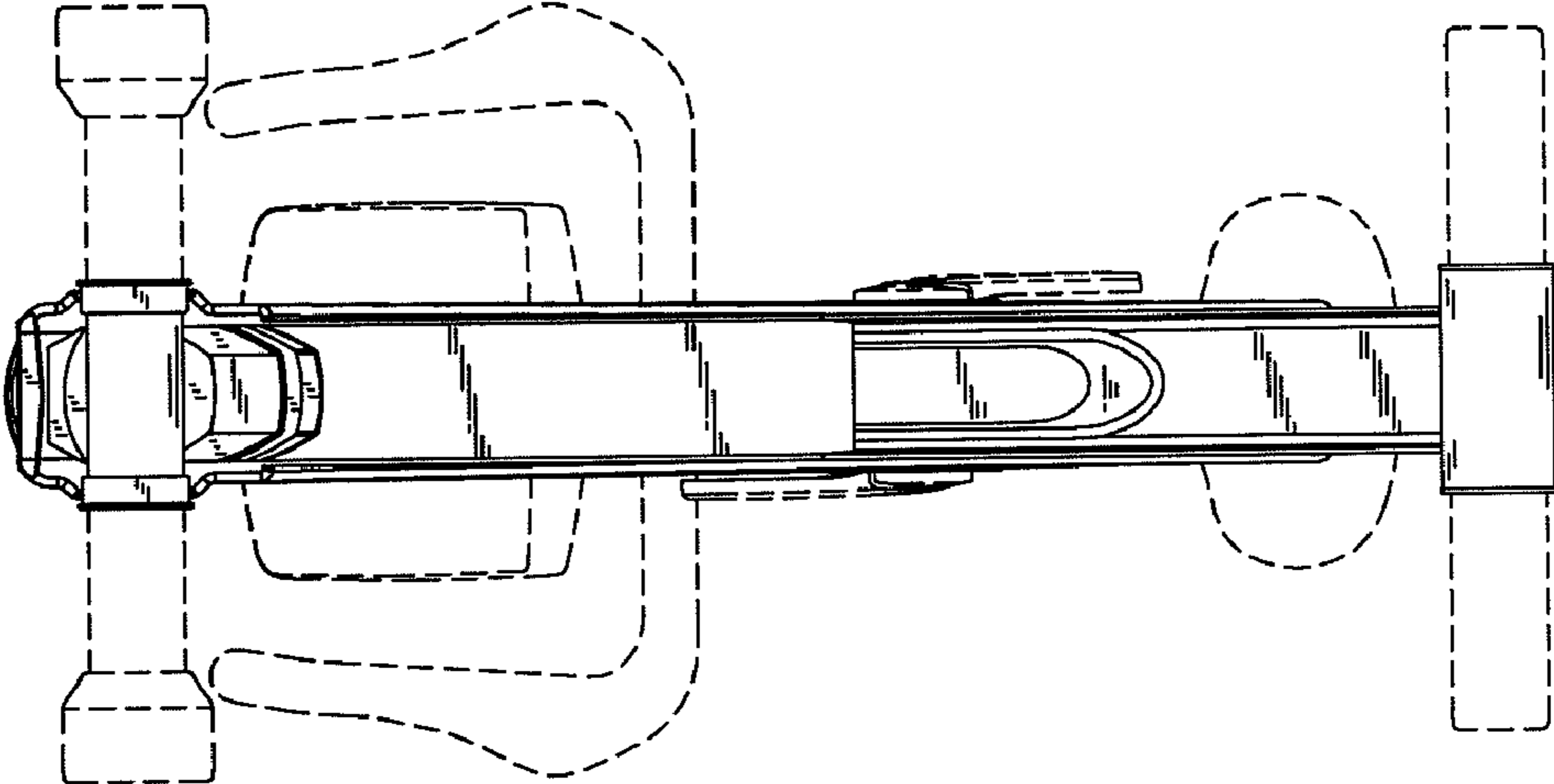


FIG. 7