



US00D647971S

(12) **United States Design Patent**  
**Browne**

(10) **Patent No.:** **US D647,971 S**

(45) **Date of Patent:** **\*\* Nov. 1, 2011**

(54) **VEHICLE MESSAGE SIGN**

(76) Inventor: **Godwin Browne**, Brooklyn, NY (US)

(\*\*) Term: **14 Years**

(21) Appl. No.: **29/385,211**

(22) Filed: **Feb. 10, 2011**

(51) **LOC (9) Cl.** ..... **20-03**

(52) **U.S. Cl.** ..... **D20/10**

(58) **Field of Classification Search** ..... D20/10,  
D20/12, 15, 17-19, 21, 39-43, 99; 40/368,  
40/446, 538, 541, 542, 549, 553, 564, 568,  
40/570, 572, 574, 575, 577, 580-582, 584,  
40/585, 588, 589, 591, 593, 594, 597, 600,  
40/615, 617-619, 621; D10/109, 114.3;  
D12/400; D26/31; 315/77; 340/426.13;  
362/604, 812

See application file for complete search history.

(56) **References Cited**

**U.S. PATENT DOCUMENTS**

1,334,591	A *	3/1920	Brandenburg	.....	40/618
1,383,082	A *	6/1921	Dodds	.....	40/542
3,538,634	A *	11/1970	Bloom	.....	40/549
4,574,269	A	3/1986	Miller		
4,622,494	A *	11/1986	Johnson	.....	315/77
4,974,354	A	12/1990	Hembrook, Jr.		
5,119,278	A	6/1992	Watson		
D350,778	S *	9/1994	Kaoh	.....	D20/42
5,454,181	A *	10/1995	Rothman et al.	.....	40/564
D373,387	S *	9/1996	Wu	.....	D20/10
D406,175	S *	2/1999	Robinson et al.	.....	D20/12

6,178,677	B1	1/2001	Williams		
D453,385	S	2/2002	Krzesowiak		
D463,050	S *	9/2002	Zwisler	.....	D26/31
D478,935	S	8/2003	Gearhart et al.		
D495,747	S	9/2004	Boodhoo		
D574,437	S *	8/2008	Green	.....	D20/10
2004/0095741	A1 *	5/2004	Chen	.....	362/604
2005/0083183	A1	4/2005	Cao et al.		
2007/0234612	A1 *	10/2007	Corbishley et al.	.....	40/591

\* cited by examiner

*Primary Examiner* — Mary Ann Calabrese

(57) **CLAIM**

The ornamental design for a vehicle message sign, as shown and described.

**DESCRIPTION**

FIG. 1 is a perspective view of a vehicle message sign showing my new design;

FIG. 2 is a front view thereof;

FIG. 3 is a back view thereof;

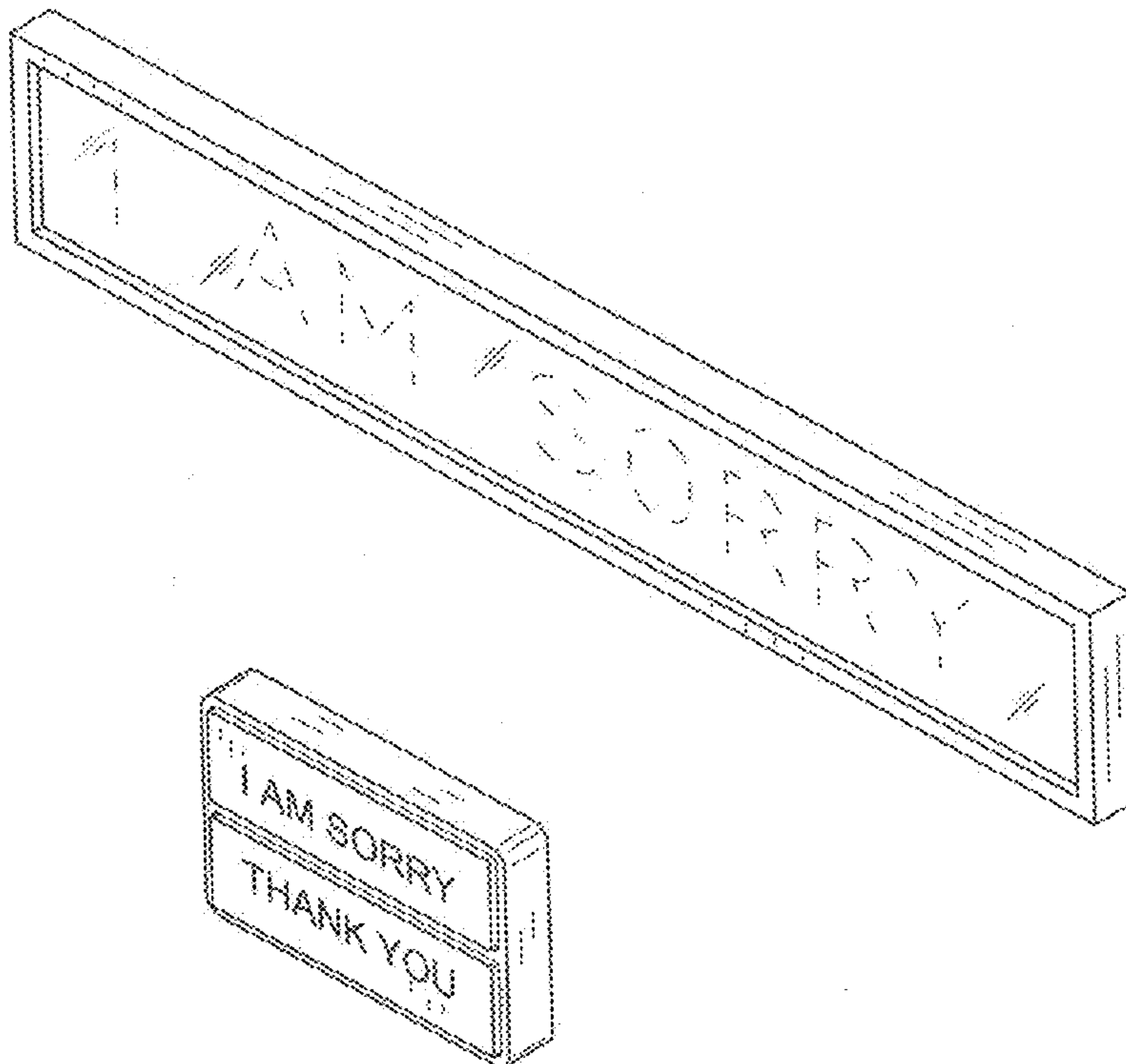
FIG. 4 is a top view, the bottom view is mirror image thereof; and,

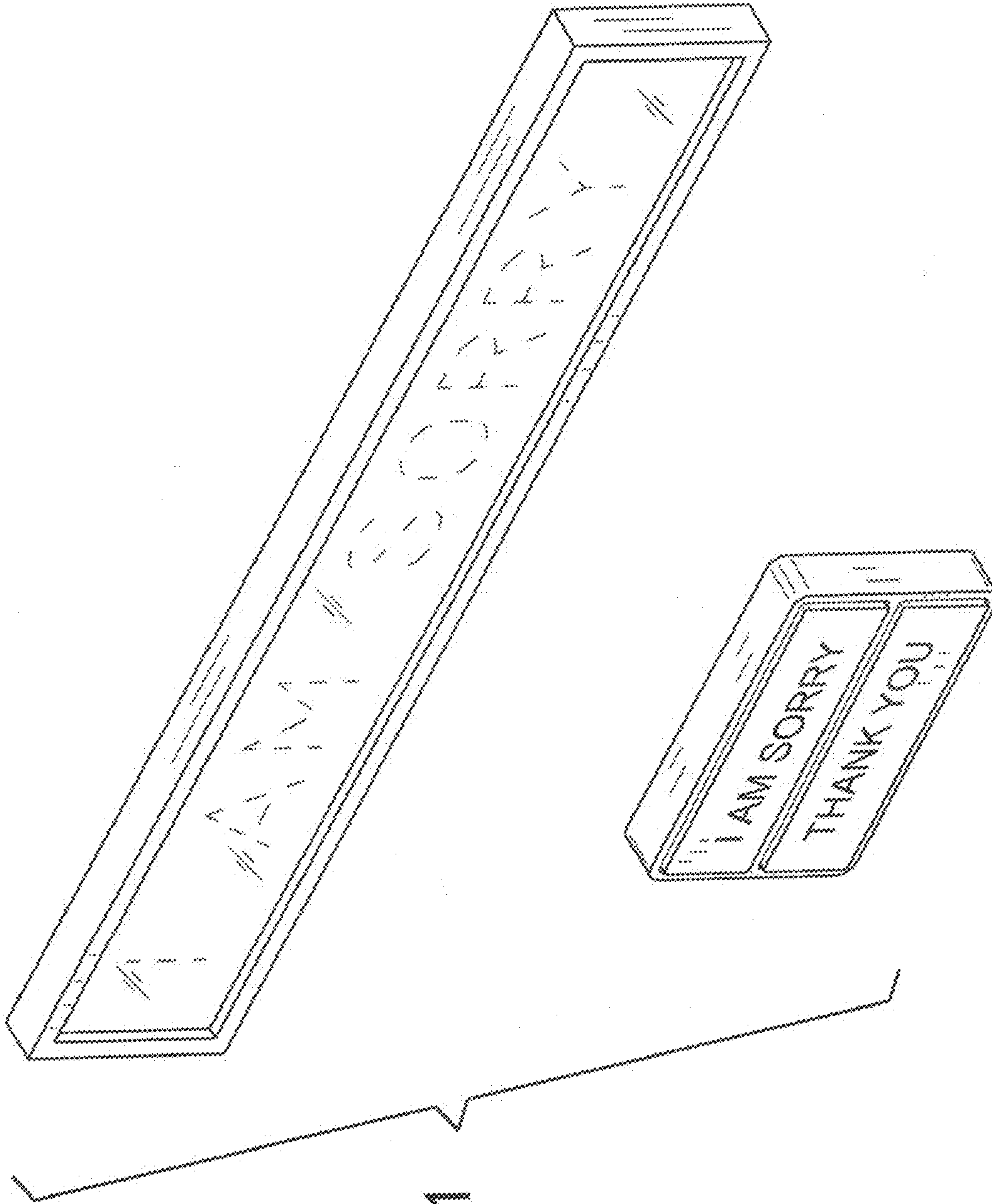
FIG. 5 is a side view thereof, the opposite side view is mirror image thereof.

In FIG. 1 and FIG. 2, the broken lines showing of environmental structure for purposes of illustrating the vehicle message sign in a condition of use. The broken lines and the structure they depict form no part of the claimed design.

The break lines in FIGS. 4 and 5 indicate no specific length

**1 Claim, 3 Drawing Sheets**





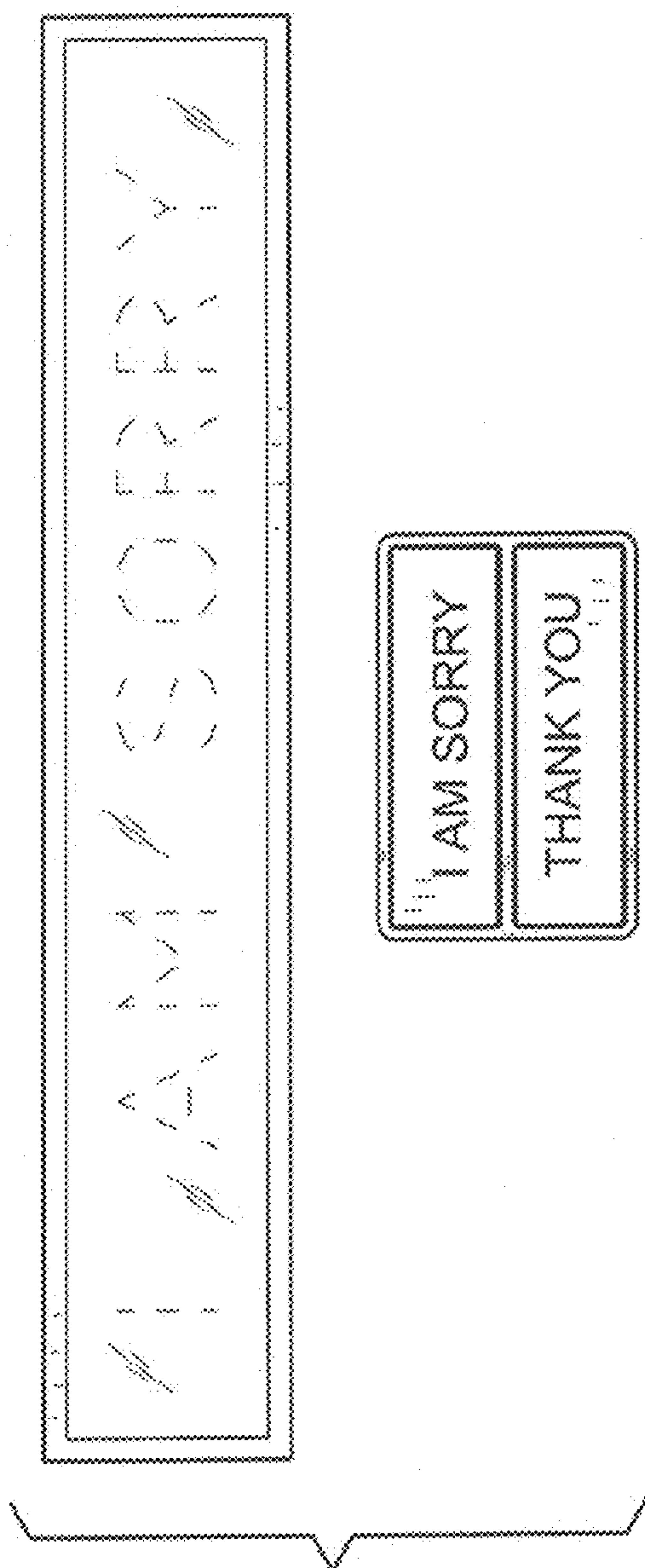


FIG. 2

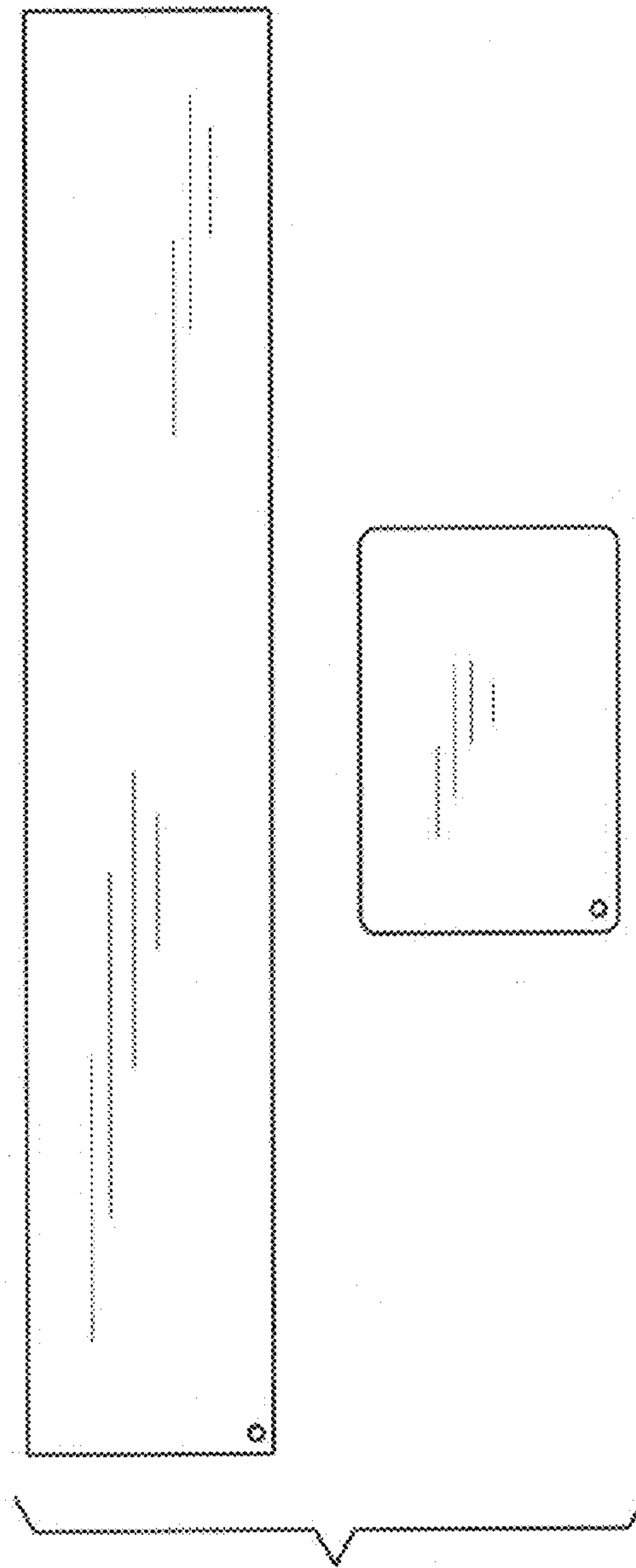


FIG. 3

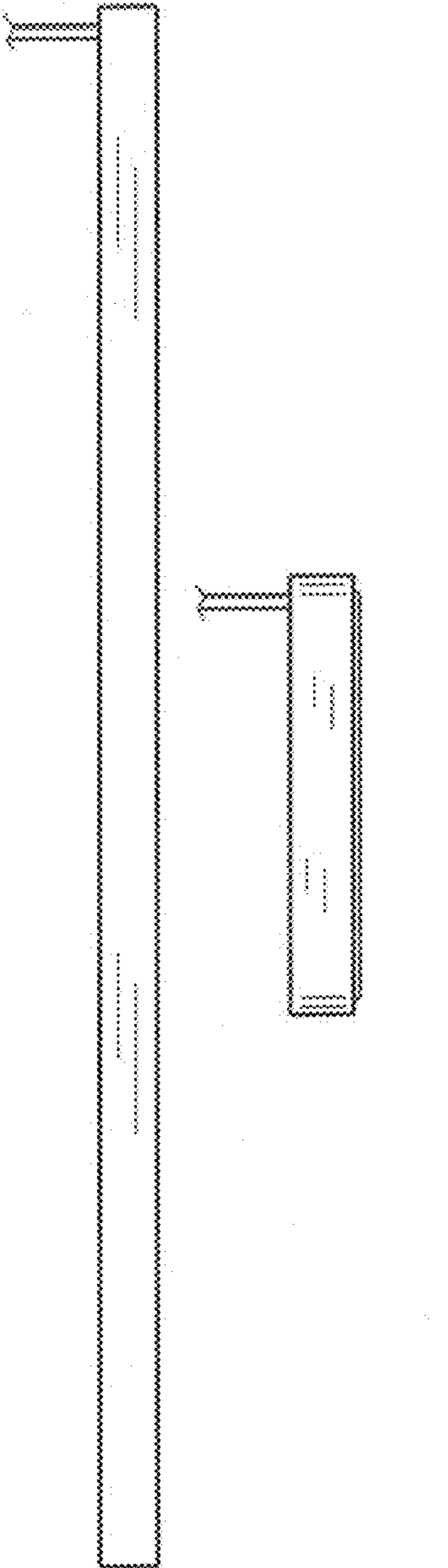


FIG. 4

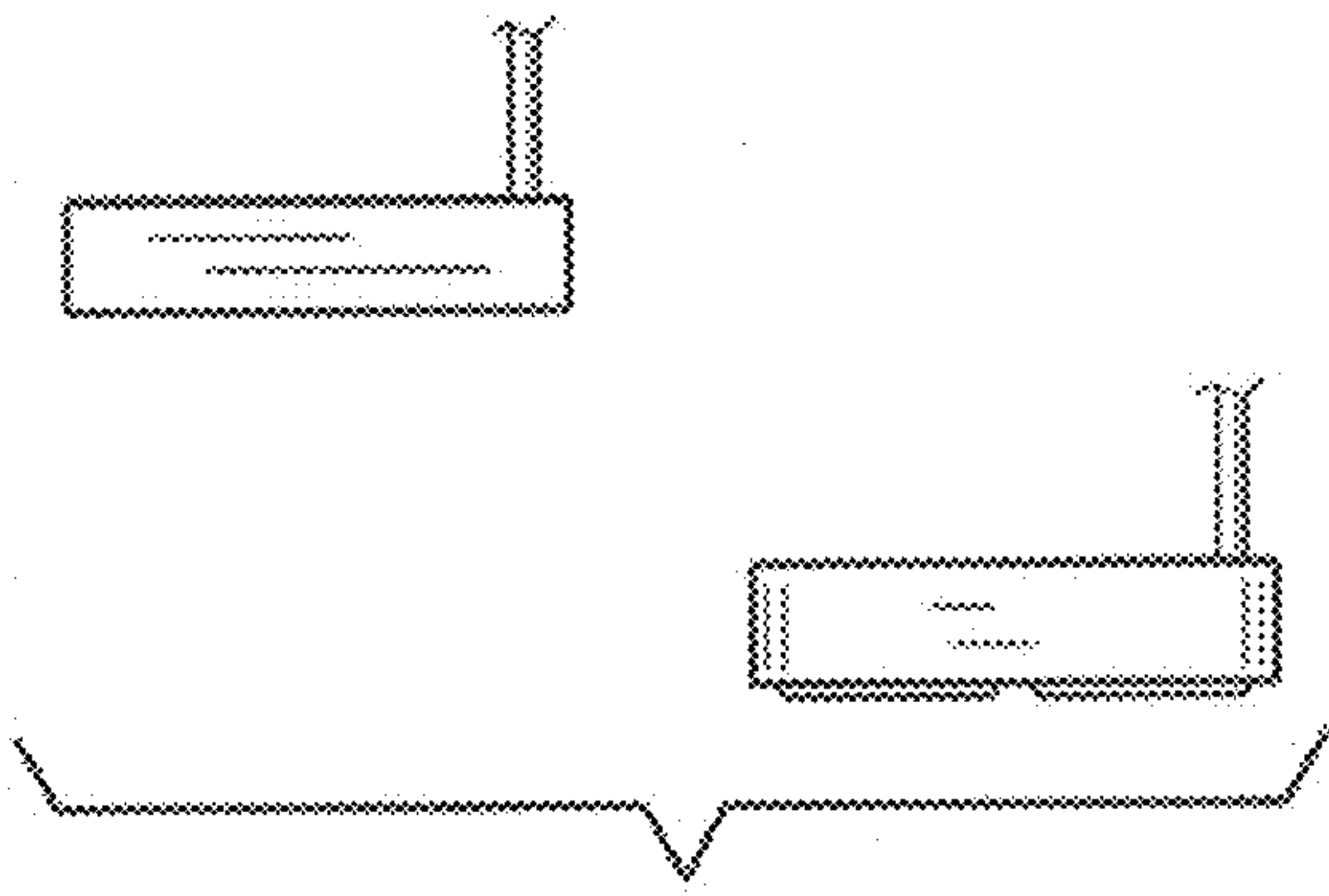


FIG. 5