



US00D647970S

(12) **United States Design Patent**  
**Strempack**

(10) **Patent No.:** **US D647,970 S**

(45) **Date of Patent:** **\*\* Nov. 1, 2011**

(54) **TAXI TOP ADVERTISEMENT DISPLAY**

(75) **Inventor:** **Guy Thomas Strempack**, Fort  
Lauderdale, FL (US)

(73) **Assignee:** **First American Advertising**  
**Corporation**, Fort Lauderdale, FL (US)

(\*\*) **Term:** **14 Years**

(21) **Appl. No.:** **29/377,857**

(22) **Filed:** **Oct. 27, 2010**

(51) **LOC (9) Cl.** ..... **20-03**

(52) **U.S. Cl.** ..... **D20/10**

(58) **Field of Classification Search** ..... D20/10,  
D20/18, 19, 29, 39-43, 99; 40/124.01, 446,  
40/538, 541-542, 548, 553, 563, 564, 572,  
40/582, 584, 585, 588-592, 600; D10/104,  
D10/109; D26/31; 362/561, 812  
See application file for complete search history.

(56) **References Cited**

**U.S. PATENT DOCUMENTS**

823,459	A *	6/1906	Batchelder	.....	40/592
1,942,444	A *	1/1934	O'Connor	.....	40/592
2,888,763	A *	6/1959	Roycroft, Jr.	.....	40/592
3,318,031	A *	5/1967	Whaley et al.	.....	40/592
4,028,829	A *	6/1977	Murray	.....	40/485

D255,726	S *	7/1980	Leuthesser	.....	D26/31
7,171,773	B2 *	2/2007	Haggard, Jr.	.....	40/591
D616,502	S *	5/2010	Kulikoff	.....	D20/10
2005/0188572	A1 *	9/2005	Haggard	.....	40/604
2008/0236007	A1 *	10/2008	Au et al.	.....	40/592

\* cited by examiner

*Primary Examiner* — Mary Ann Calabrese

(74) *Attorney, Agent, or Firm* — Sinorica, LLC

(57) **CLAIM**

The ornamental design for a taxi top advertisement display, as shown and described.

**DESCRIPTION**

FIG. 1 is a perspective view of a taxi top advertisement display;

FIG. 2 is a front elevational view thereof;

FIG. 3 is a rear elevational view thereof;

FIG. 4 is a right-side elevational view thereof;

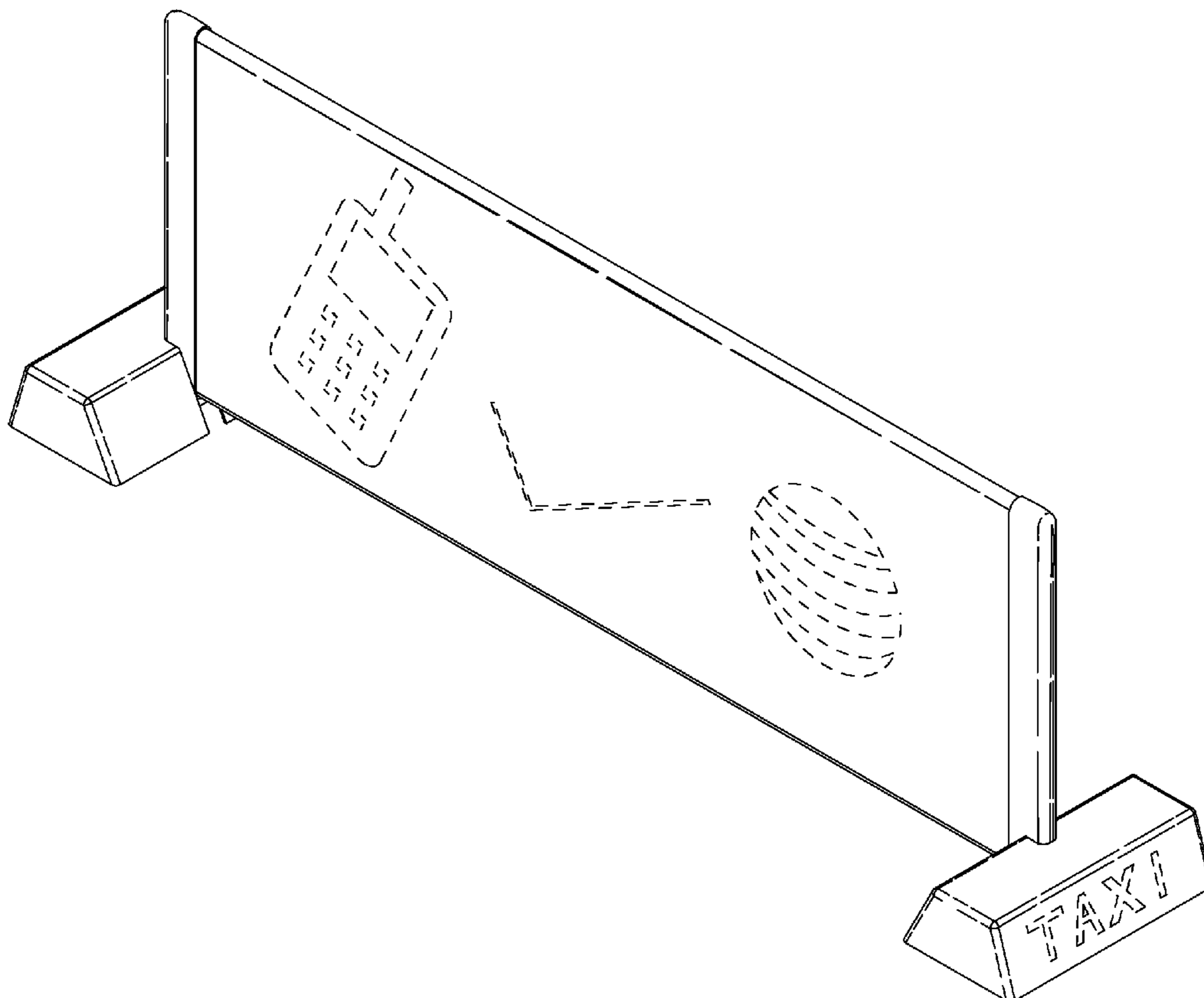
FIG. 5 is a left-side elevational view thereof;

FIG. 6 is a bottom plan view thereof; and,

FIG. 7 is a top plan view thereof.

The broken lines in FIGS. 1-5 and FIG. 7 illustrate environment and form no part of the claimed design. The broken lines in FIG. 6 illustrate portions of the bottom that form no part of the claimed design.

**1 Claim, 6 Drawing Sheets**



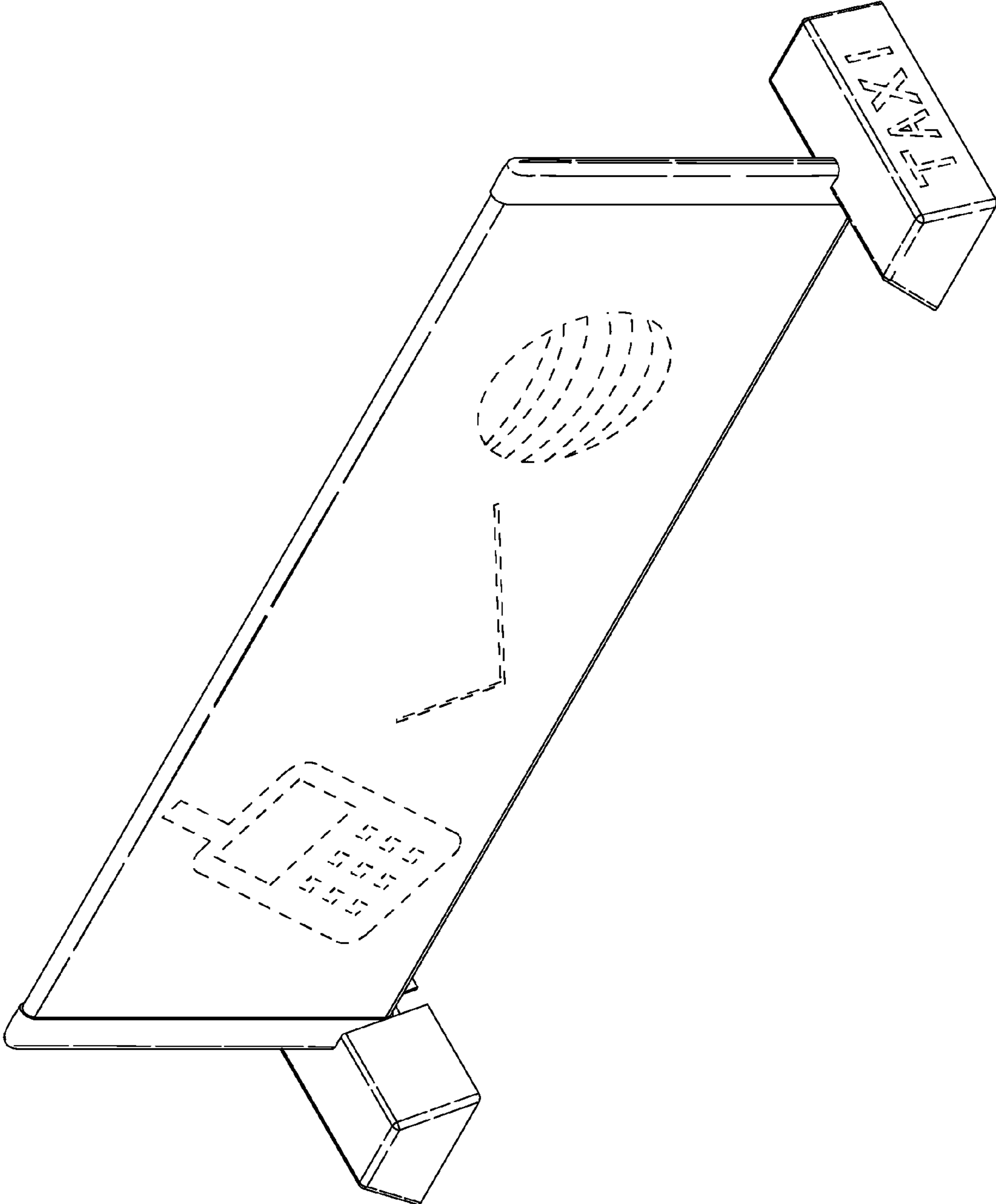


FIG. 1

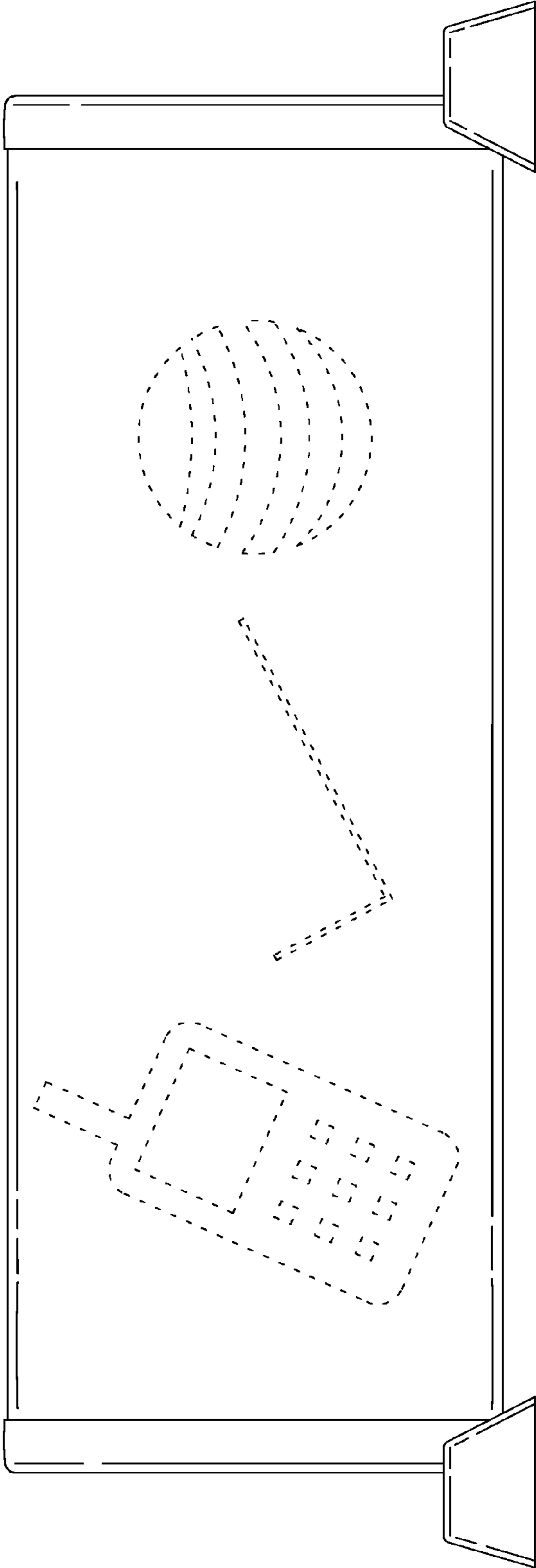


FIG. 2

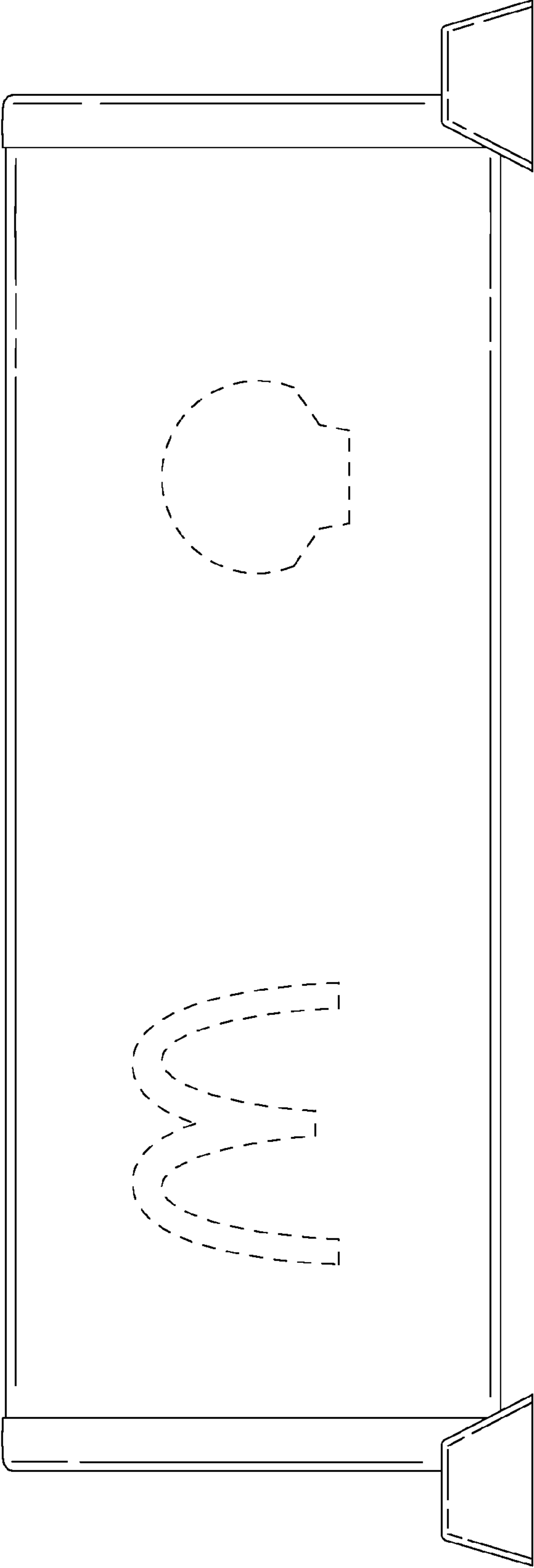


FIG. 3

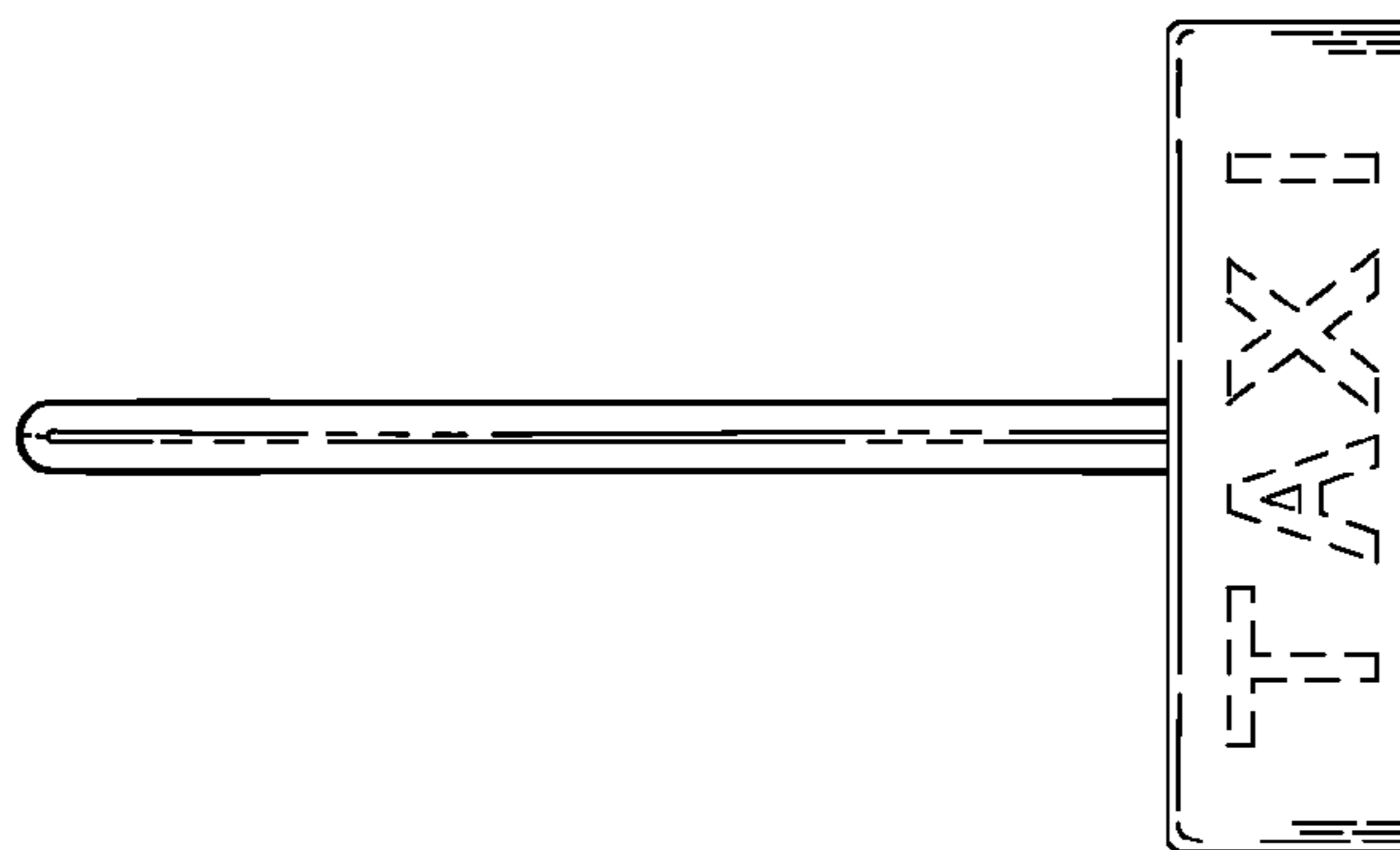


FIG. 4

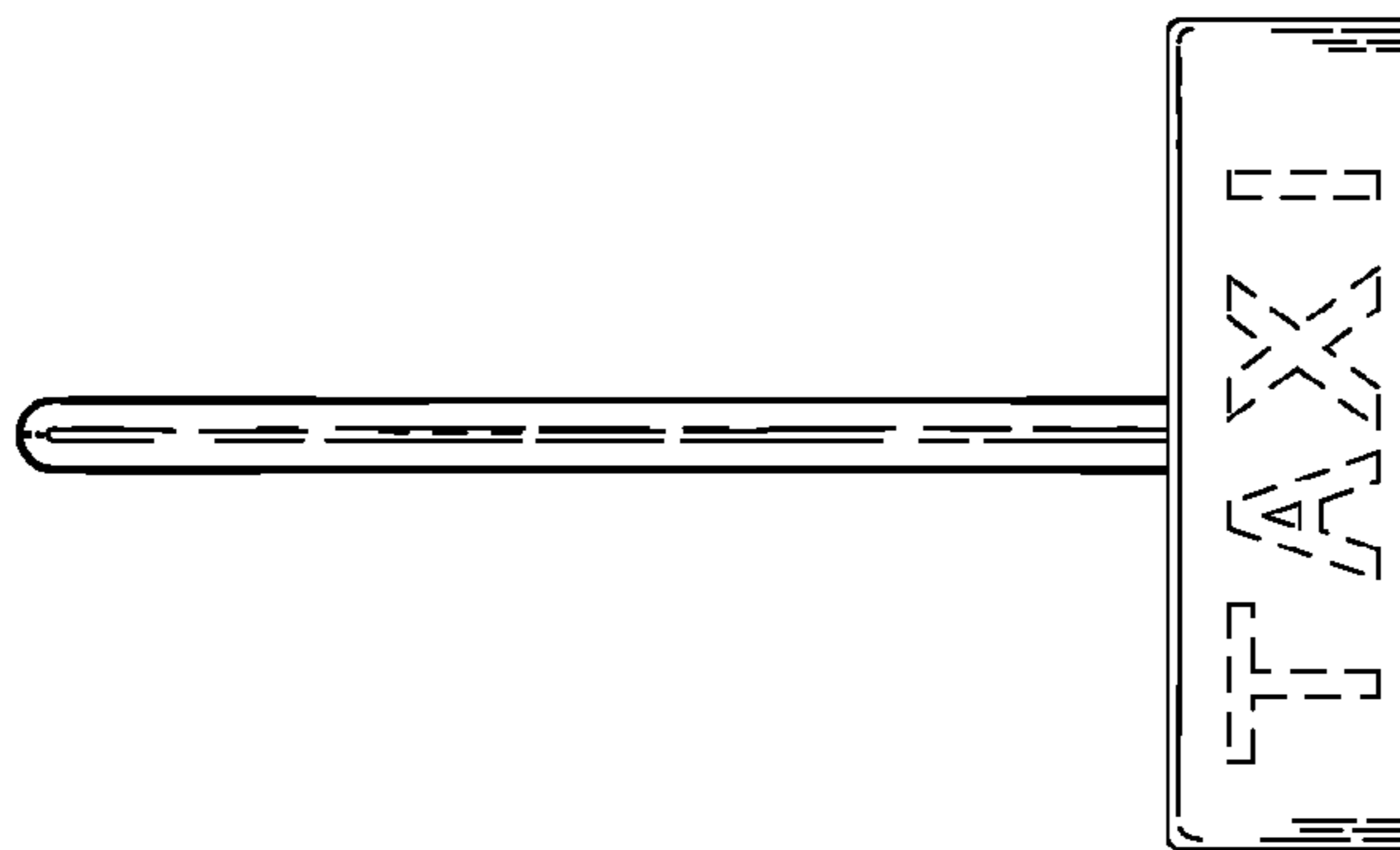


FIG. 5

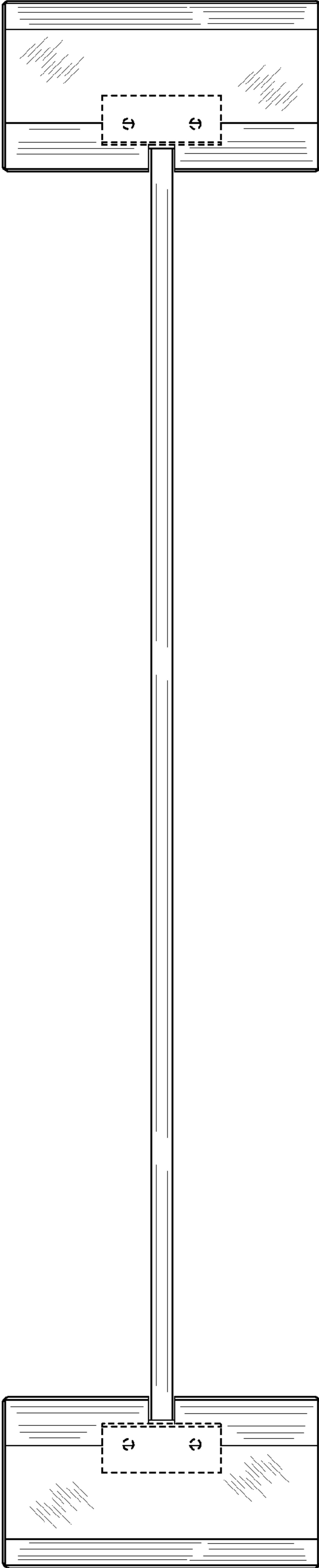


FIG. 6

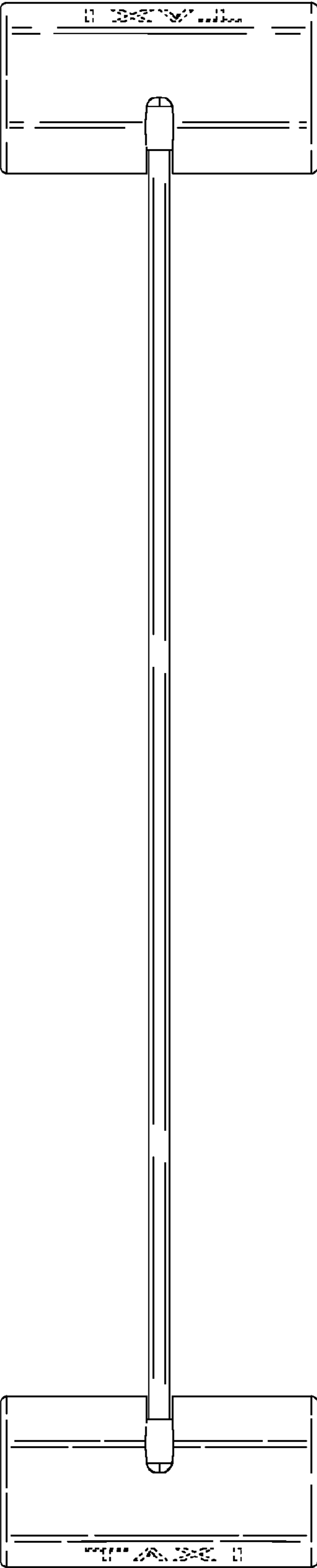


FIG. 7