



US00D647965S

(12) **United States Design Patent**
Leibeck

(10) **Patent No.:** **US D647,965 S**

(45) **Date of Patent:** **** Nov. 1, 2011**

(54) **WRITING INSTRUMENT**

(75) Inventor: **Christian Leibeck**, Nürnberg (DE)

(73) Assignee: **J.S. Staedtler GmbH & Co. KG**,
Nürnberg (DE)

(**) Term: **14 Years**

(21) Appl. No.: **29/315,705**

(22) Filed: **Jul. 16, 2009**

(30) **Foreign Application Priority Data**

Jan. 23, 2009 (EM) 001 076 996

(51) **LOC (9) Cl.** **19-06**

(52) **U.S. Cl.** **D19/51**

(58) **Field of Classification Search** D19/35,
D19/36, 41-51, 53-57; 24/11 R, 11 F, 11 P;
401/52, 99, 100, 104-109, 192, 195, 196
See application file for complete search history.

(56) **References Cited**

U.S. PATENT DOCUMENTS

D269,016 S * 5/1983 Garganese D19/45
D394,875 S * 6/1998 Izushima D19/51
D405,468 S * 2/1999 Izushima D19/51
D425,559 S * 5/2000 Beneyto D19/51

D427,633 S * 7/2000 Pellisa Beneyto D19/51
D447,177 S * 8/2001 Pichler D19/51
D452,274 S * 12/2001 Keda D19/51
D452,529 S * 12/2001 Tsuchida D19/66
D510,386 S * 10/2005 Briggl D19/51
D546,883 S * 7/2007 Briggl D19/51
D552,174 S * 10/2007 Tien D19/48
D559,908 S * 1/2008 Han D19/46
D575,817 S * 8/2008 Loesel D19/48
D597,135 S * 7/2009 Takanashi D19/50
D603,898 S * 11/2009 Rommel D19/50

* cited by examiner

Primary Examiner — Elizabeth Albert

(74) *Attorney, Agent, or Firm* — Lucas & Mercanti, LLP;
Klaus P. Stoffel

(57) **CLAIM**

The ornamental design for a writing instrument, as shown and described.

DESCRIPTION

FIG. 1 is a side view of a writing instrument showing my new design;

FIG. 2 is a front view thereof;

FIG. 3 is another side view thereof;

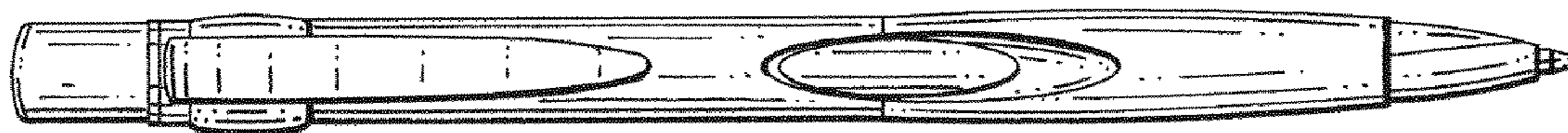
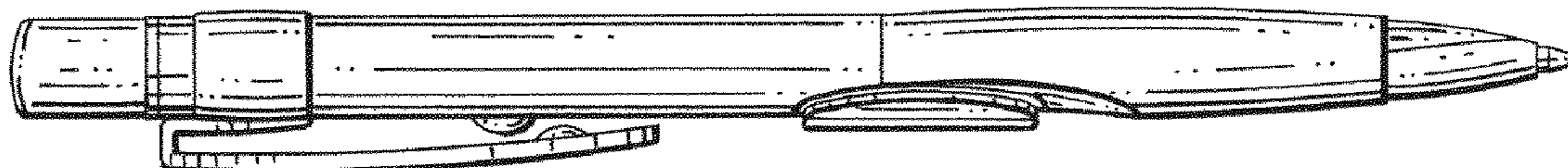
FIG. 4 is a rear view thereof;

FIG. 5 is a top view thereof;

FIG. 6 is a bottom view thereof; and,

FIG. 7 is a perspective front view thereof.

1 Claim, 4 Drawing Sheets



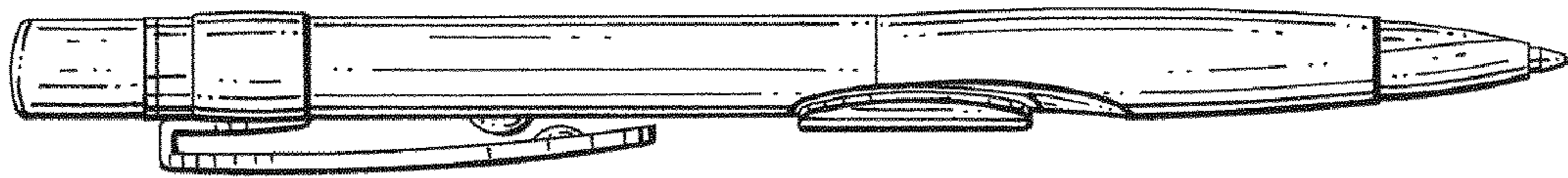


FIG. 1

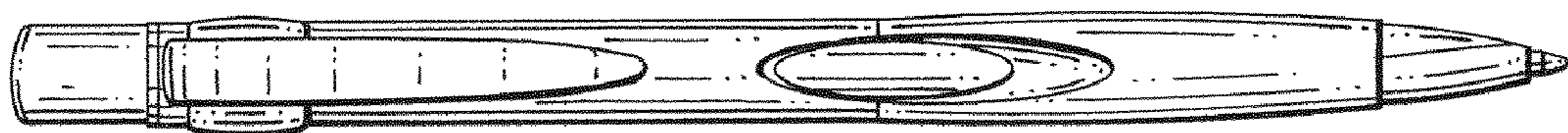


FIG. 2

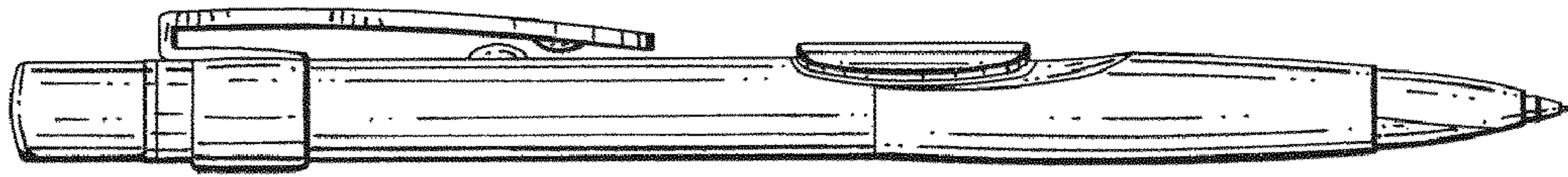


FIG. 3

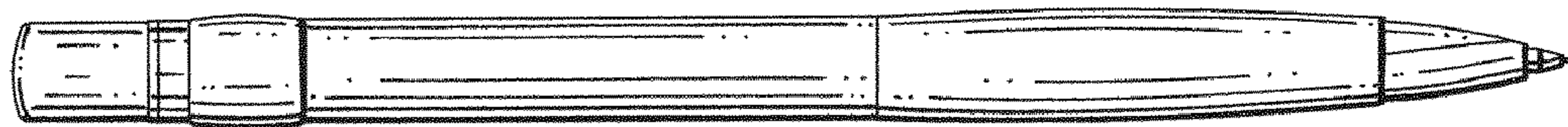


FIG. 4

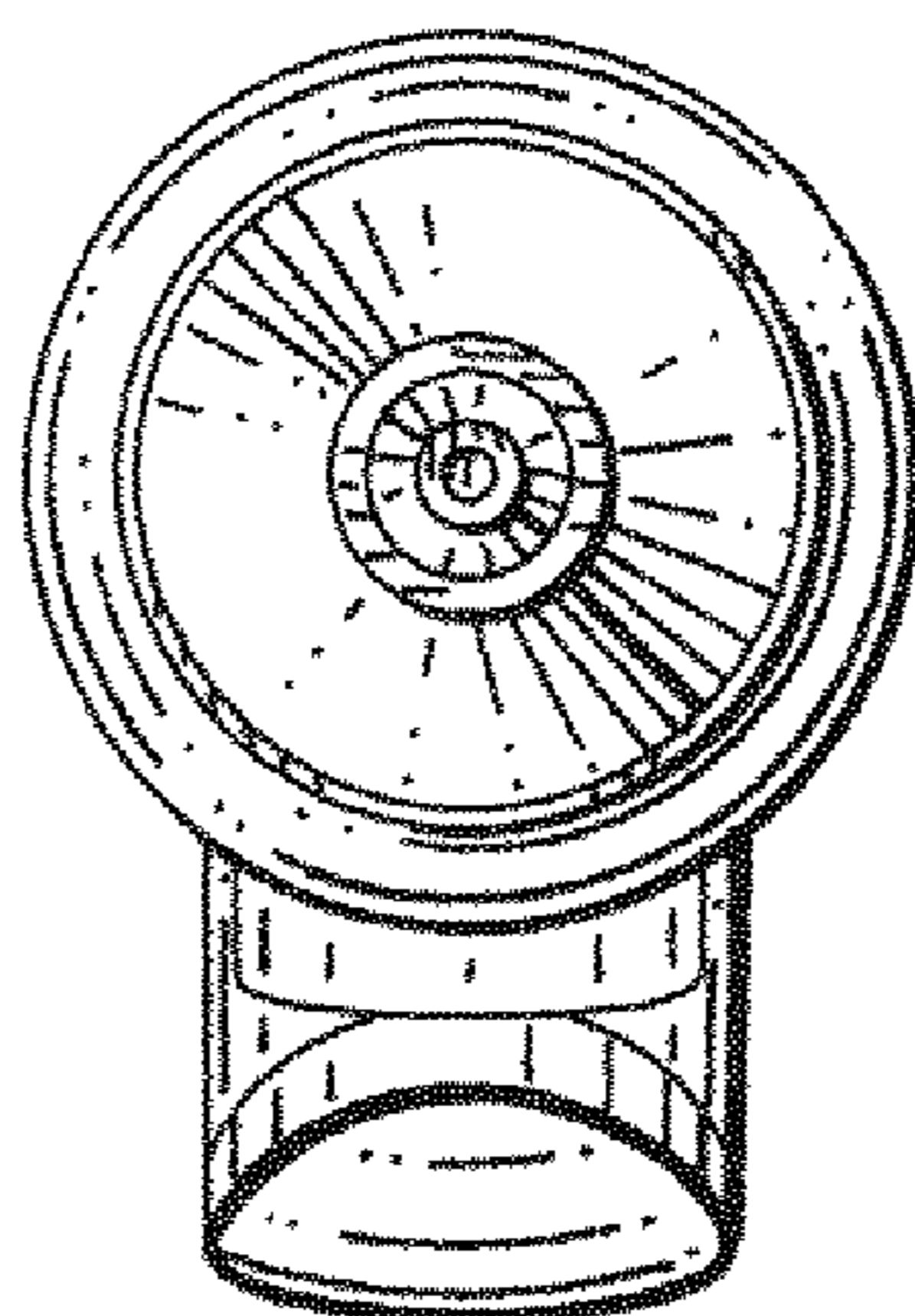


FIG. 5

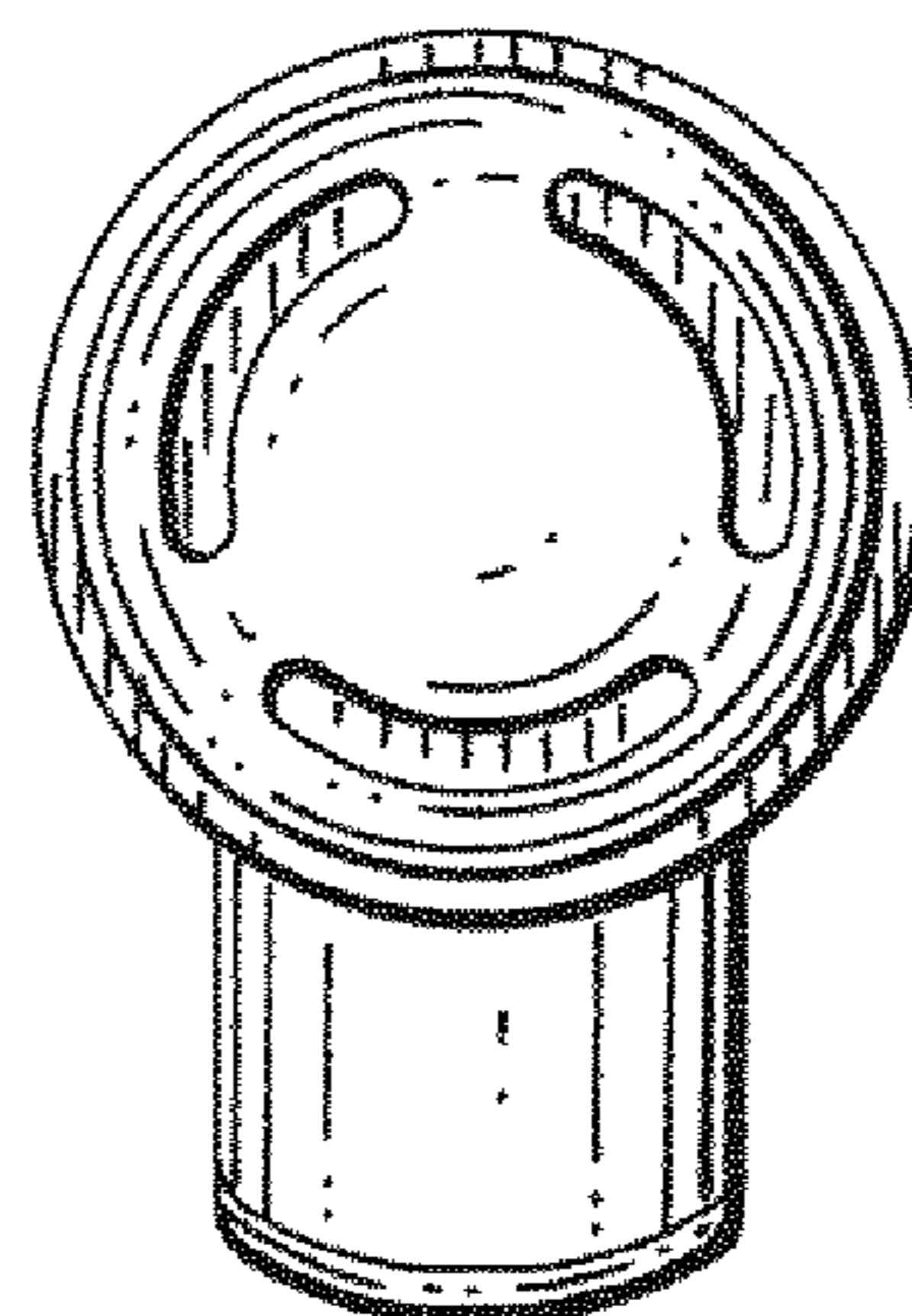


FIG. 6

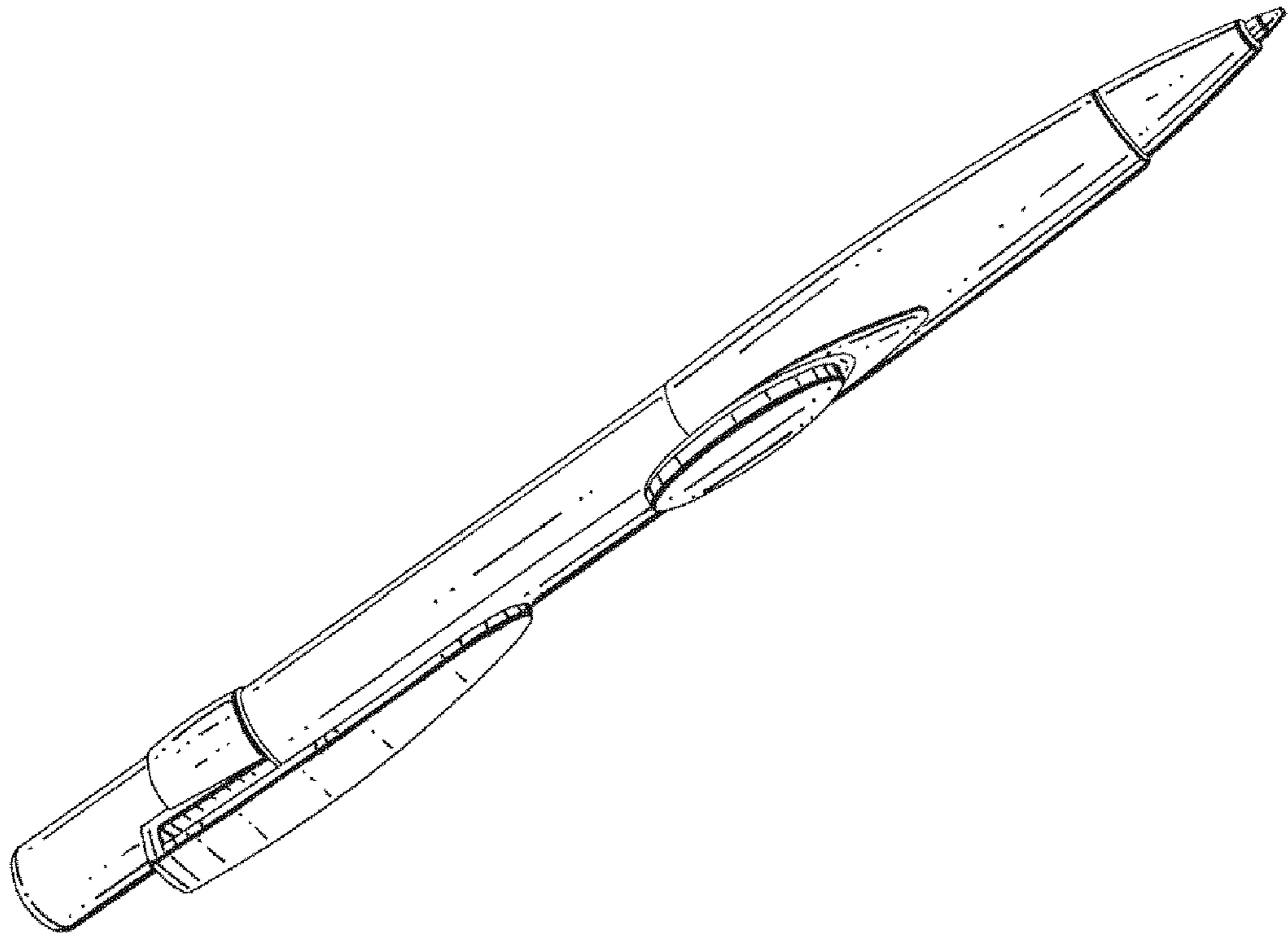


FIG. 7