



US00D647961S

(12) **United States Design Patent**
Zhang

(10) **Patent No.:** **US D647,961 S**
(45) **Date of Patent:** **** Nov. 1, 2011**

(54) **PEN**
(75) Inventor: **Binhun Zhang**, Ningbo (CN)
(73) Assignee: **Beifa Group Co., Ltd.**, Ningbo (CN)
(**) Term: **14 Years**
(21) Appl. No.: **29/379,477**
(22) Filed: **Nov. 19, 2010**
(30) **Foreign Application Priority Data**

May 30, 2010 (CN) 2010 3 0197078
(51) **LOC (9) Cl.** **19-06**
(52) **U.S. Cl.** **D19/43**
(58) **Field of Classification Search** D19/35,
D19/36, 41-51, 54-58; 24/11 R, 11 F, 11 P;
401/52, 99, 100, 192, 195, 196; D14/411
See application file for complete search history.

(56) **References Cited**

U.S. PATENT DOCUMENTS

2,468,699	A *	4/1949	Woods	24/11 R
D188,972	S *	10/1960	Young	D19/49
D270,843	S *	10/1983	Itoh	D19/51
D279,115	S *	6/1985	Nishida	D19/51
D286,547	S	11/1986	Koizumi		
D294,263	S	2/1988	Rodgers		
D310,684	S *	9/1990	Itoh	D19/57
D317,324	S *	6/1991	Chuang	D19/57
D317,625	S *	6/1991	Itoh	D19/57
D324,398	S *	3/1992	Herbst et al.	D19/57
D325,045	S	3/1992	Katami		
D342,089	S	12/1993	Anavil		
D342,090	S	12/1993	Anavil		
D356,306	S	3/1995	Ady		
D358,167	S	5/1995	Herbst		
D389,863	S *	1/1998	Nguyen	D19/48

D409,241	S *	5/1999	Melnick	D19/36
D421,625	S *	3/2000	Oka	D19/49
D442,635	S	5/2001	Izushima		
D446,245	S *	8/2001	Chuang	D19/57
D452,526	S	12/2001	Nishida		
D454,588	S	3/2002	Takanashi		
D460,110	S *	7/2002	Kobayashi	D19/43
D461,501	S	8/2002	Nishida		
D484,536	S	12/2003	Takanashi		
D489,087	S *	4/2004	Kent	D19/43
D489,405	S	5/2004	Qiu		
D492,963	S	7/2004	Qiu		
D505,976	S	6/2005	Qiu		
D506,501	S	6/2005	Qiu		
D508,077	S	8/2005	Bhavnani		
D530,748	S *	10/2006	Kent et al.	D19/57

(Continued)

OTHER PUBLICATIONS

Zhang, B., "Pen," U.S. Appl. No. 29/386,543, filed Mar. 2, 2011.

Primary Examiner — Elizabeth Albert

(74) *Attorney, Agent, or Firm* — Christensen O'Connor Johnson Kindness PLLC

(57) **CLAIM**

The ornamental design for a pen, as shown and described.

DESCRIPTION

FIG. 1 is a lower front left perspective view of a pen showing my new design;
FIG. 2 is a right side elevation view thereof, with the left side elevation view being a mirror image of the right side elevation view;
FIG. 3 is a front elevation view thereof;
FIG. 4 is a rear elevation view thereof;
FIG. 5 is an enlarged top plan view thereof; and,
FIG. 6 is an enlarged bottom plan view thereof.

1 Claim, 3 Drawing Sheets



US D647,961 S

Page 2

U.S. PATENT DOCUMENTS

D539,845 S	4/2007	Hamilton	
D540,383 S	4/2007	Nishida	
D541,342 S	4/2007	Qiu	
D544,541 S *	6/2007	Li	D19/43
D547,802 S *	7/2007	Jeon	D19/43
D549,775 S *	8/2007	Kent et al.	D19/48
D578,572 S	10/2008	Qiu	
D580,493 S *	11/2008	Fei	D19/49
D595,350 S *	6/2009	Paz et al.	D19/43
D608,393 S *	1/2010	Koreska	D19/50
D610,615 S	2/2010	Li	
D612,426 S *	3/2010	Suero et al.	D19/41
D614,623 S *	4/2010	Crisp et al.	D14/411
D616,935 S	6/2010	Zhang	

* cited by examiner

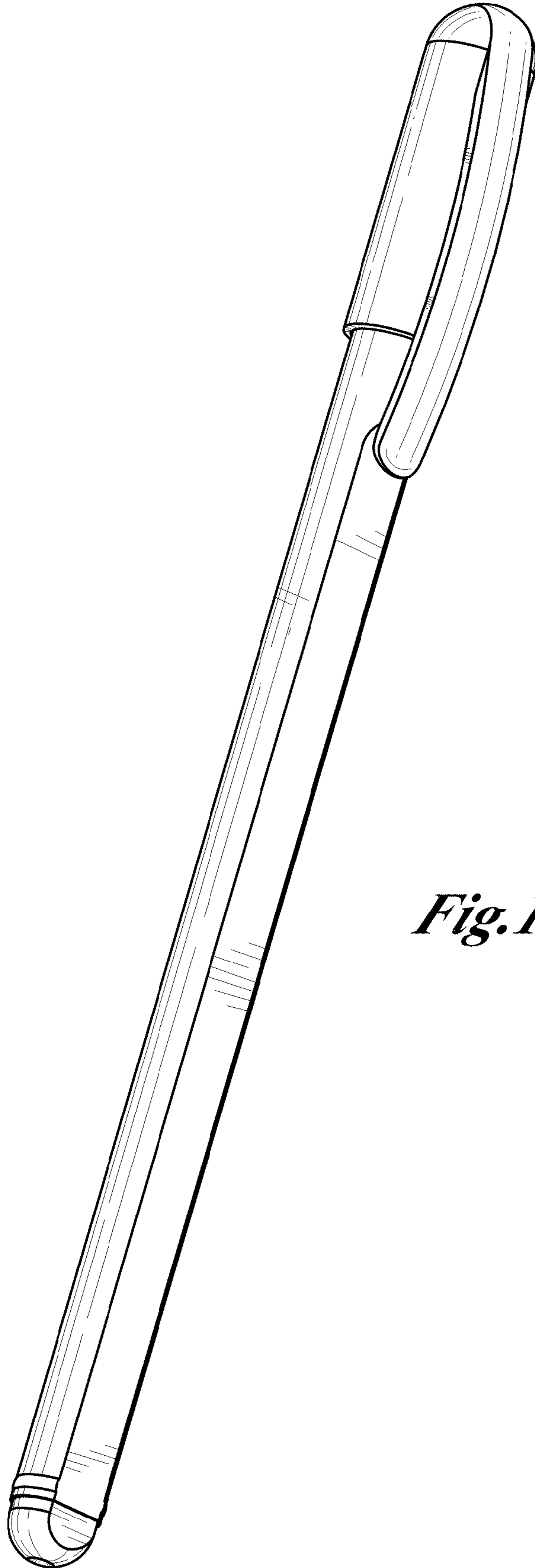


Fig. 1.

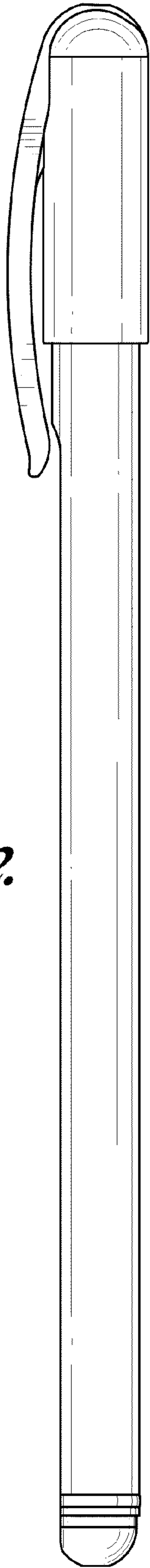


Fig. 2.

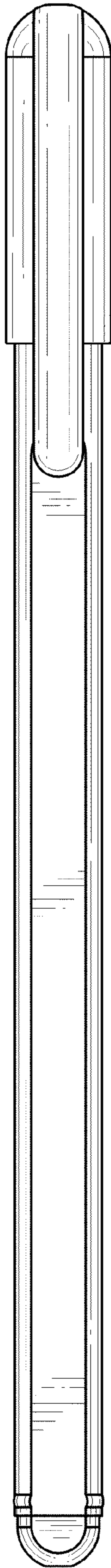


Fig. 3.

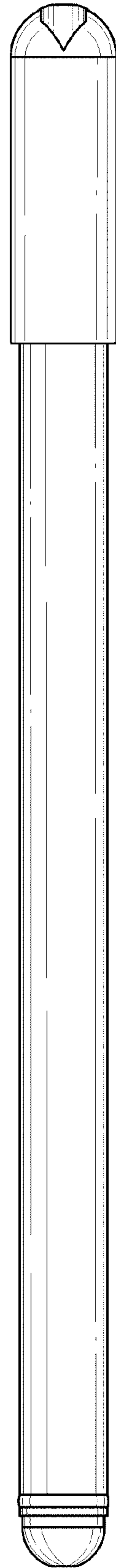


Fig. 4.

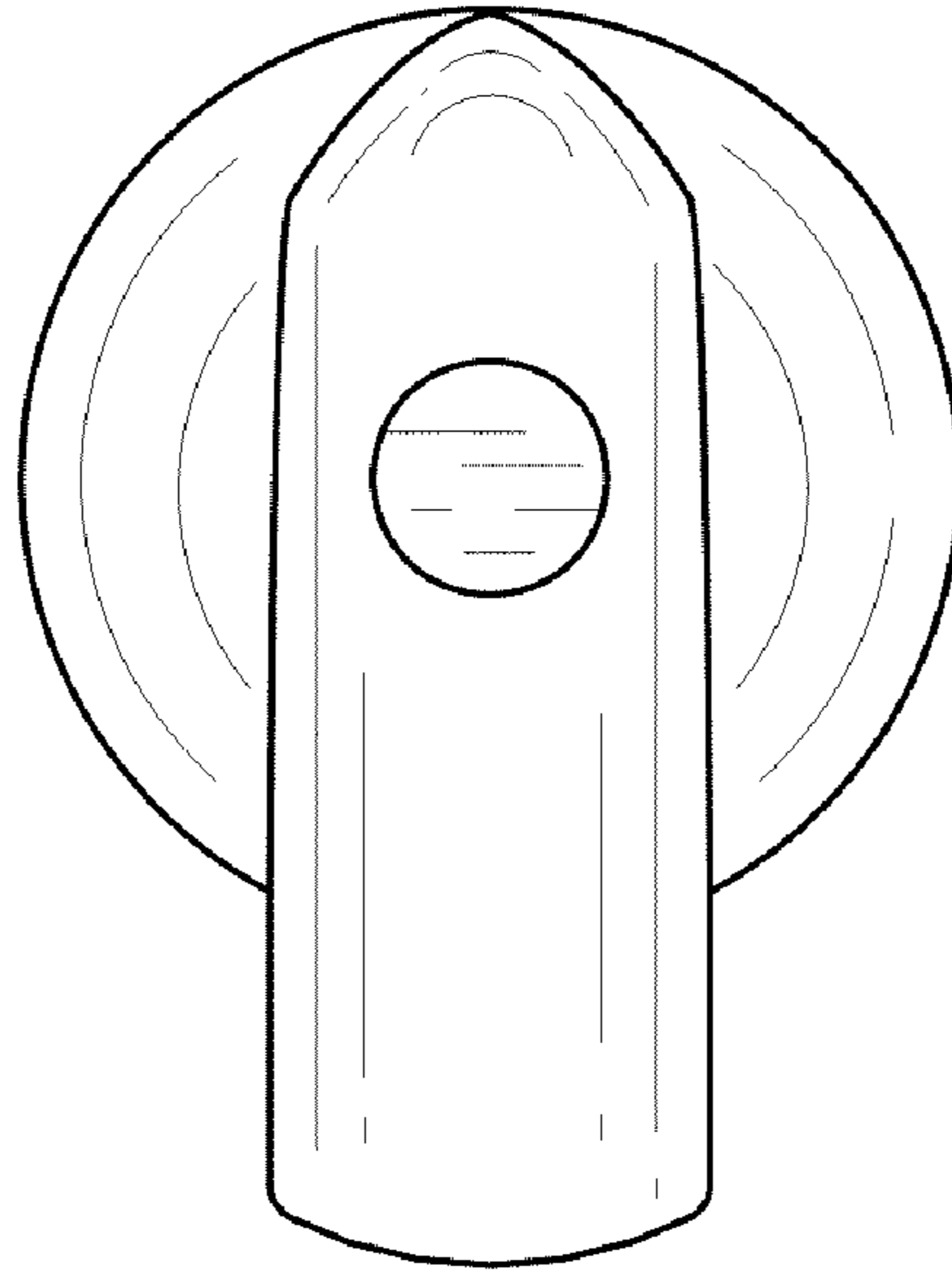


Fig. 5.

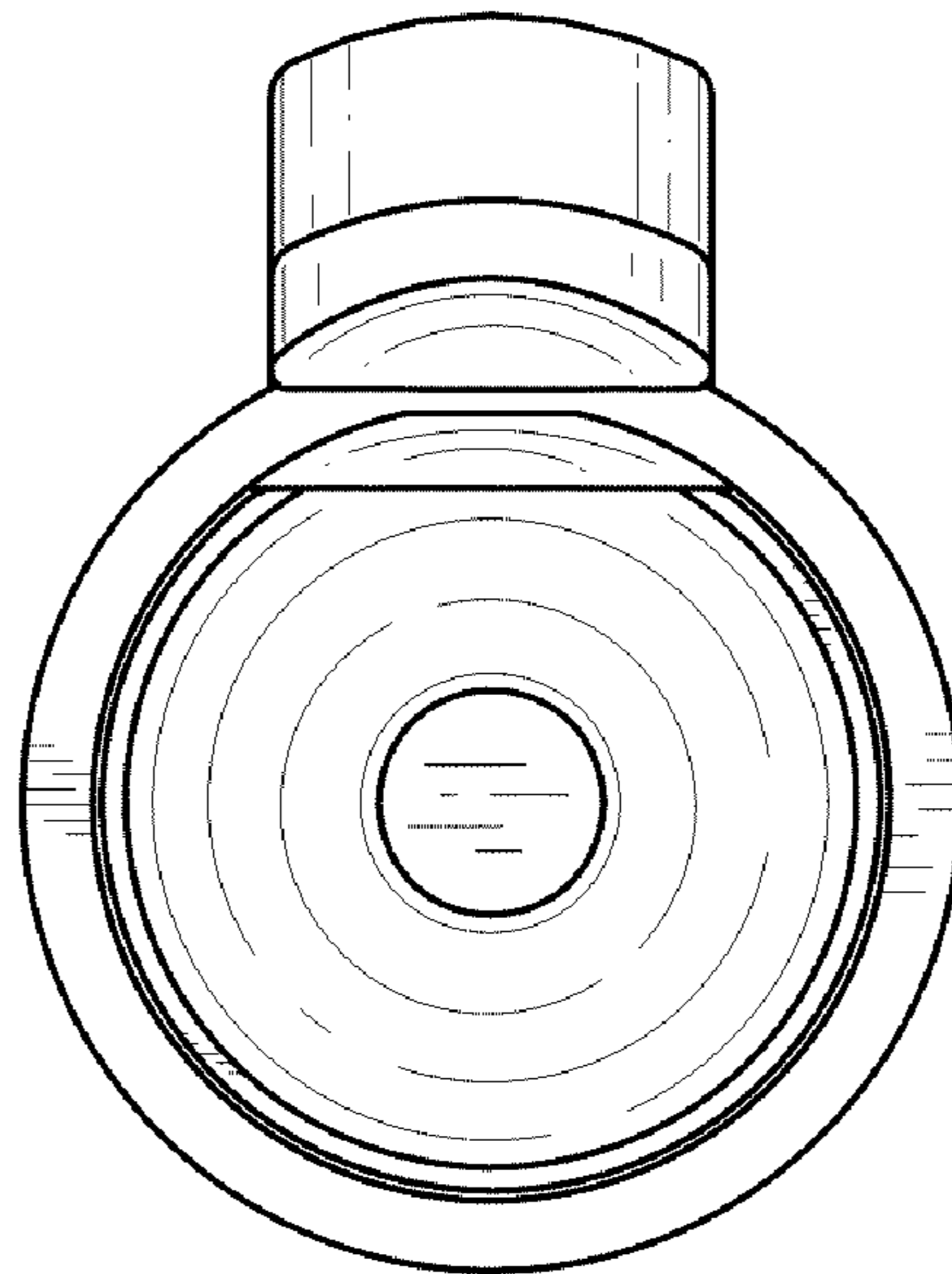


Fig. 6.