



US00D647957S

(12) **United States Design Patent**
Dwyer et al.

(10) **Patent No.:** **US D647,957 S**
(45) **Date of Patent:** **** Nov. 1, 2011**

(54) **PRINTER**

(75) Inventors: **Dan R. Dwyer**, Battle Ground, WA (US); **Maria Del Carmen Tate**, Santee, CA (US); **Hui-Chi Chuang**, San Diego, CA (US); **Mylene A. Tjin Wong Joe**, San Diego, CA (US)

(73) Assignee: **Hewlett-Packard Development Company, L.P.**, Houston, TX (US)

(**) Term: **14 Years**

(21) Appl. No.: **29/368,643**

(22) Filed: **Aug. 26, 2010**

(51) **LOC (9) Cl.** **14-02**

(52) **U.S. Cl.** **D18/50**

(58) **Field of Classification Search** D18/19,
D18/34.1, 36-37, 50, 54, 54.1, 55; D14/420-425,
D14/434, 463-470; 400/613.1-613.4, 690,
400/690.1-690.4, 691-694

See application file for complete search history.

(56) **References Cited**

U.S. PATENT DOCUMENTS

D279,985 S *	8/1985	Thom	D18/54
D293,445 S *	12/1987	Pensavecchia	D18/55
D304,186 S *	10/1989	Kojima	D14/464
D318,485 S *	7/1991	Hikawa et al.	D18/37
D331,401 S *	12/1992	Takeuchi	D14/462
D418,864 S *	1/2000	Igarashi	D18/49
D428,891 S *	8/2000	Harada et al.	D14/425

D437,877 S *	2/2001	Chen	D18/36
D444,813 S *	7/2001	Quijano	
D453,159 S *	1/2002	Nakamura	D14/422
D466,148 S *	11/2002	Yang	D18/36
D466,149 S *	11/2002	Takeuchi	D18/36
D491,219 S *	6/2004	Shimamura	D18/50
D520,558 S *	5/2006	Matsumoto et al.	D18/50
D522,044 S *	5/2006	Emmenegger et al.	
D537,113 S *	2/2007	Gant et al.	
D565,650 S *	4/2008	Tani	D18/50
D579,972 S *	11/2008	Meda et al.	D18/50
D590,013 S *	4/2009	Miticocchio et al.	

* cited by examiner

Primary Examiner — Cathy A MacCormac

(57) **CLAIM**

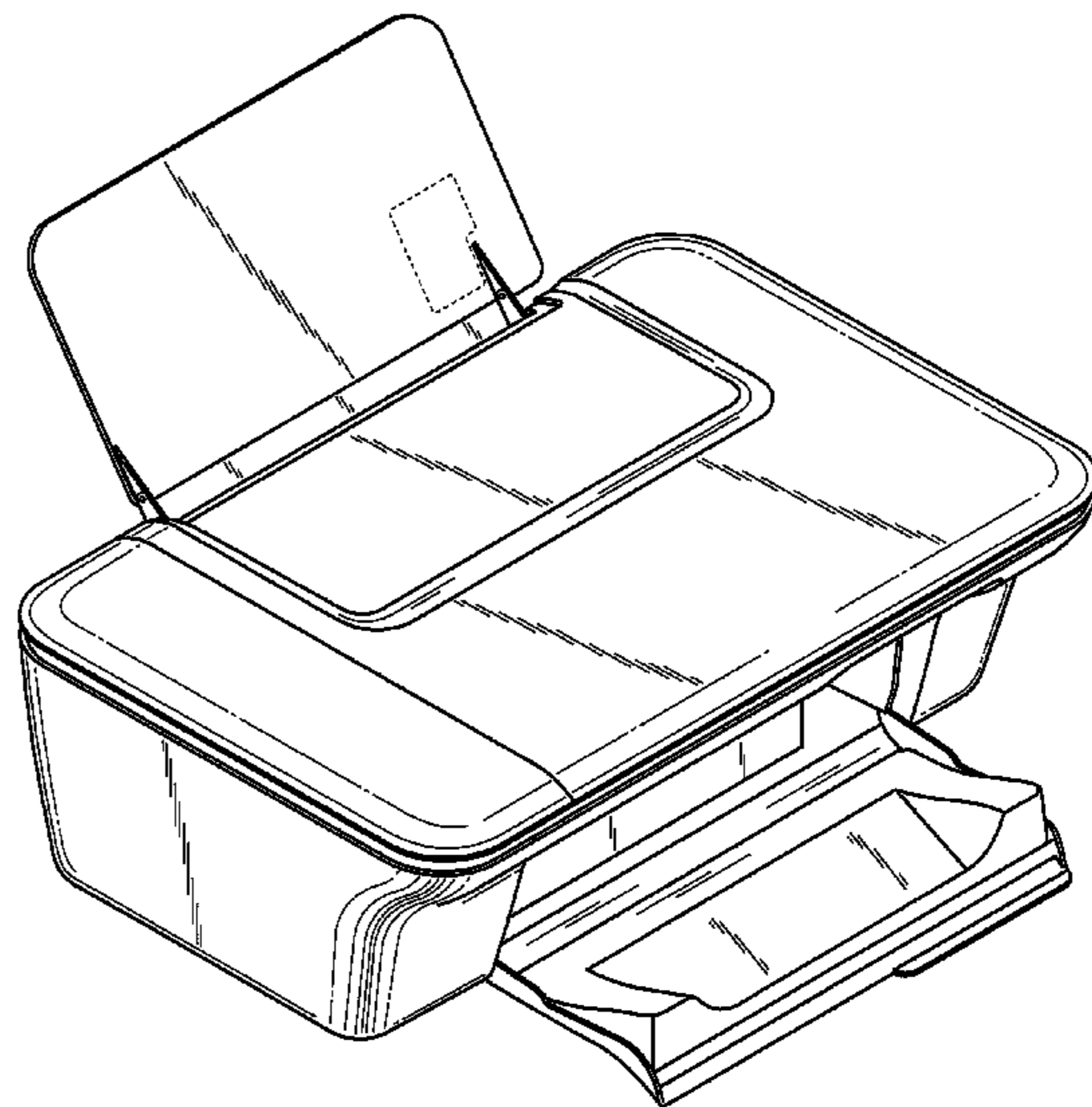
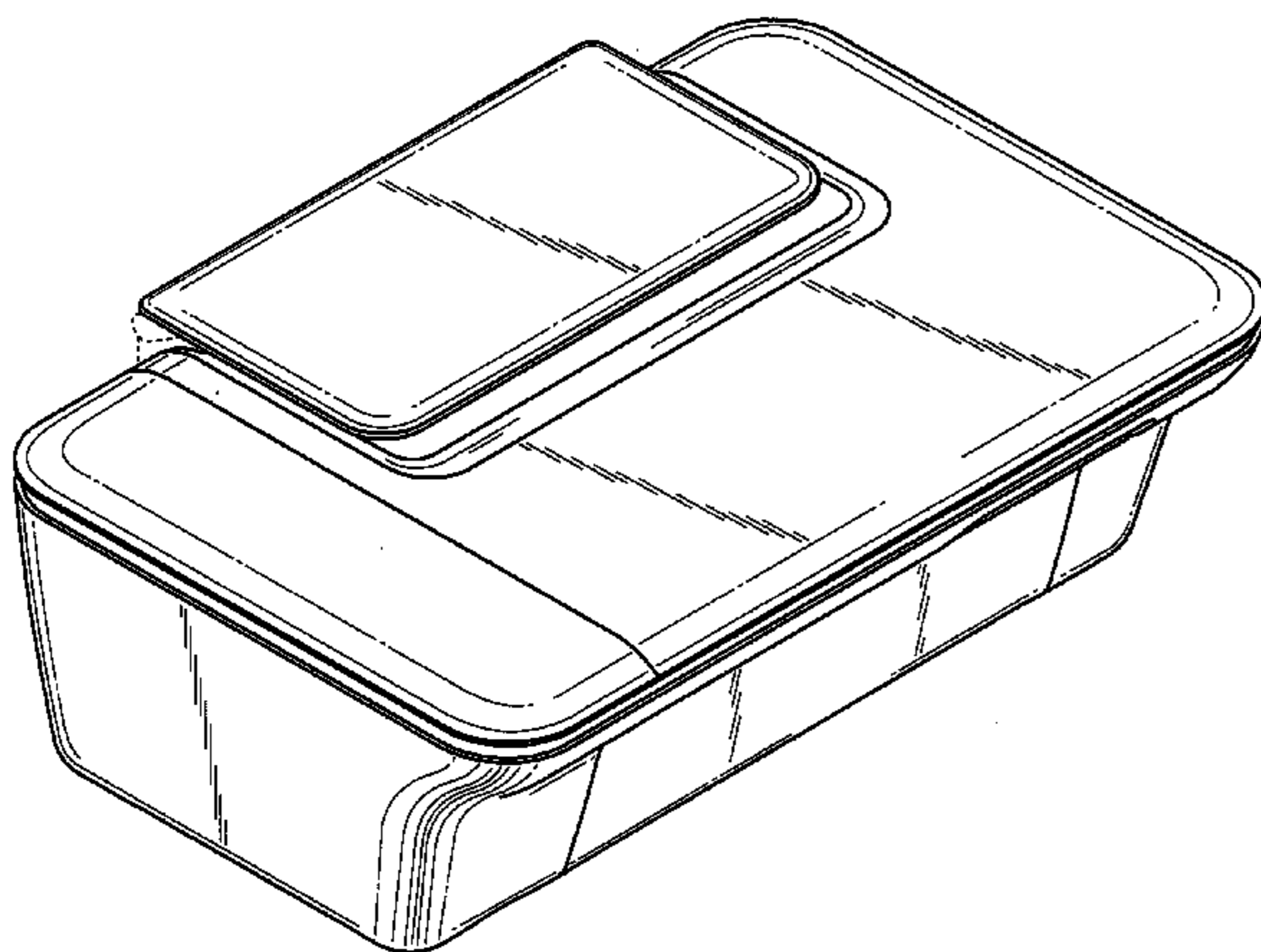
The ornamental design for a printer, as shown and described herein.

DESCRIPTION

FIG. 1 is a front, top, and left side perspective view of a printer;
FIG. 2 is a top plan view thereof;
FIG. 3 is a bottom plan view thereof;
FIG. 4 is a front elevational view thereof;
FIG. 5 is a rear elevational view thereof;
FIG. 6 is a left side elevational view thereof, which is a mirror image of a right side elevational view thereof; and,
FIG. 7 is a front, top, and left side perspective view of a printer.

Those portions of the Figures shown in broken lines are included for illustrative purposes only and form no part of the claimed design.

1 Claim, 7 Drawing Sheets



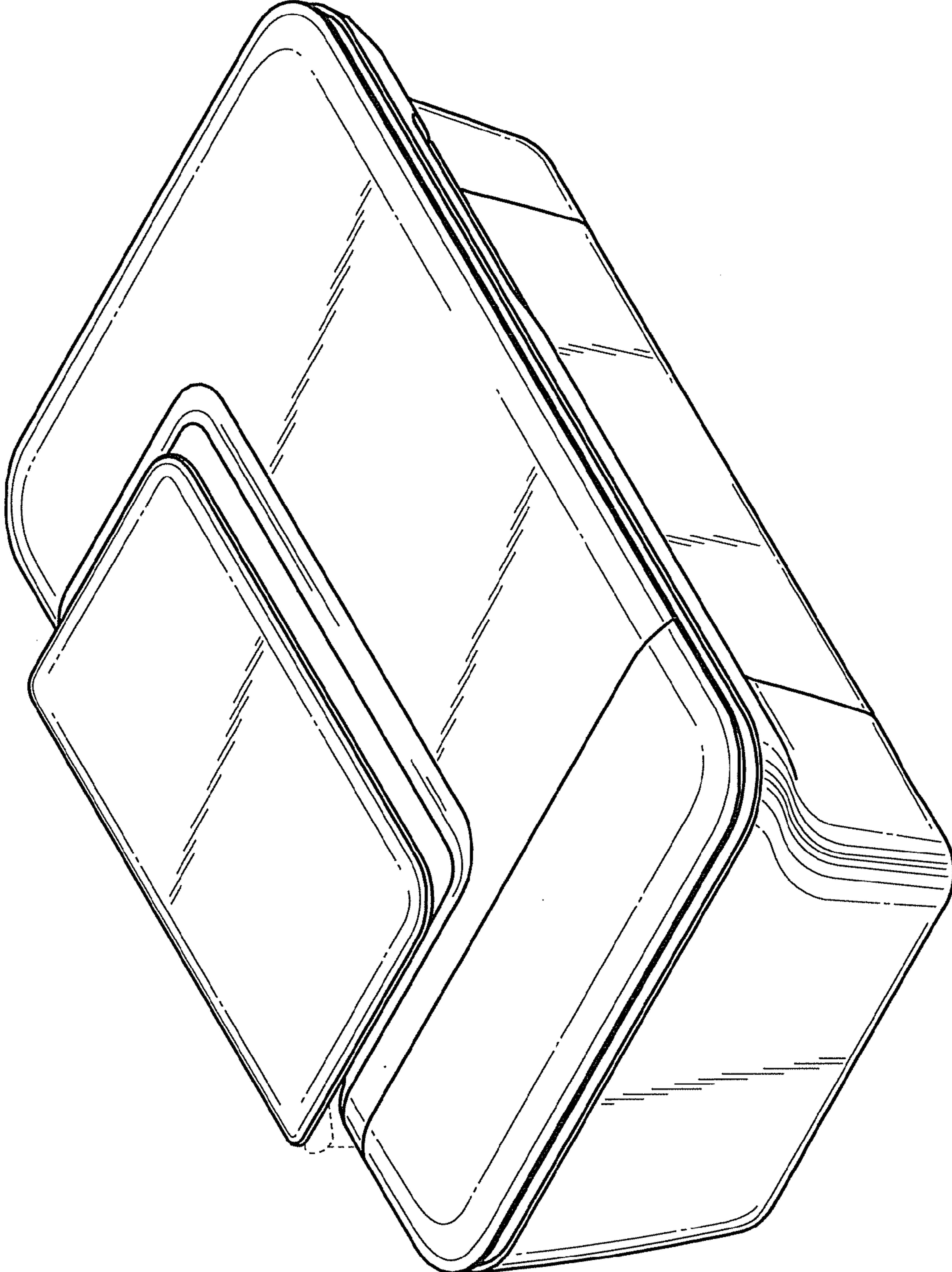


Fig. 1

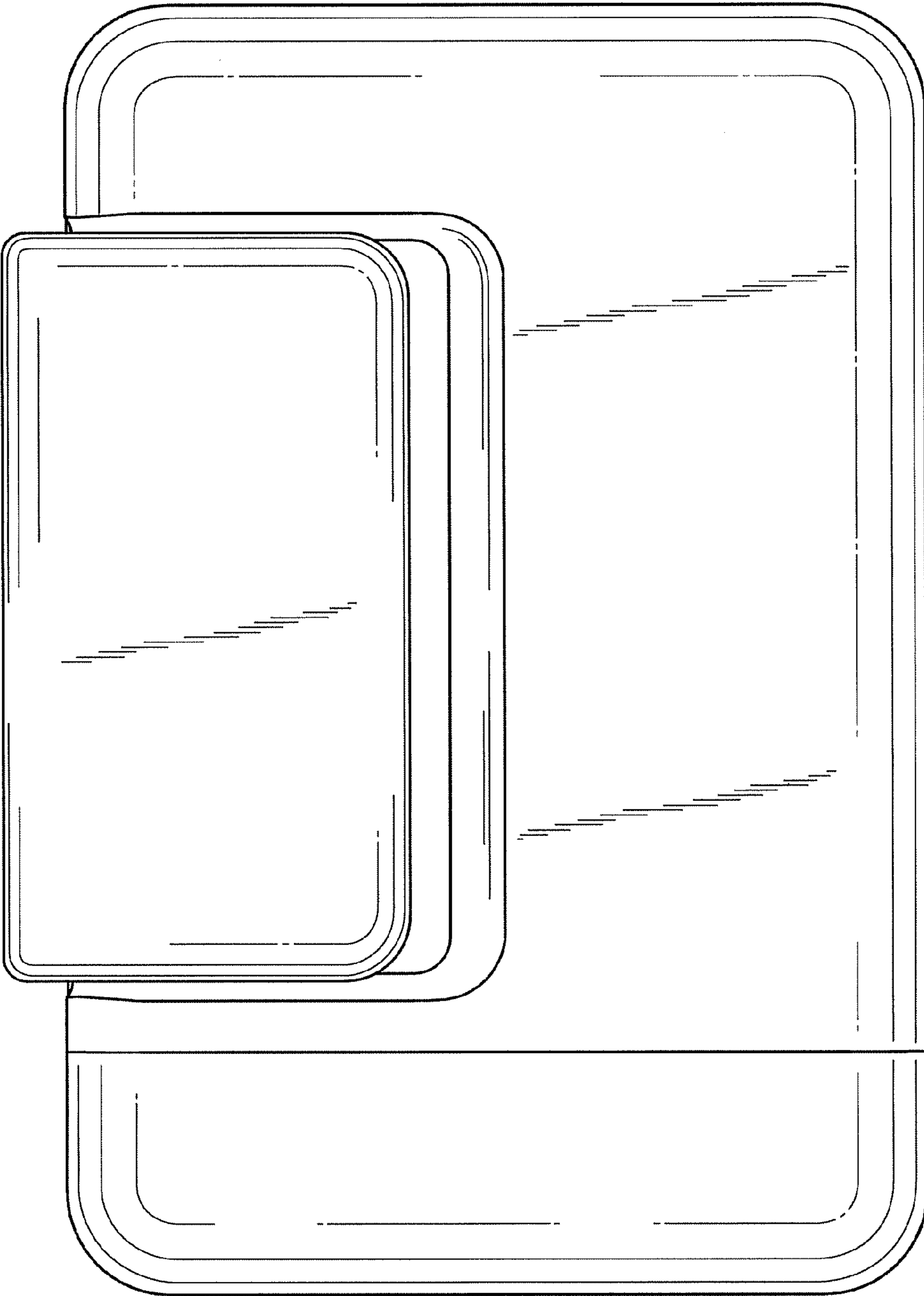


Fig. 2

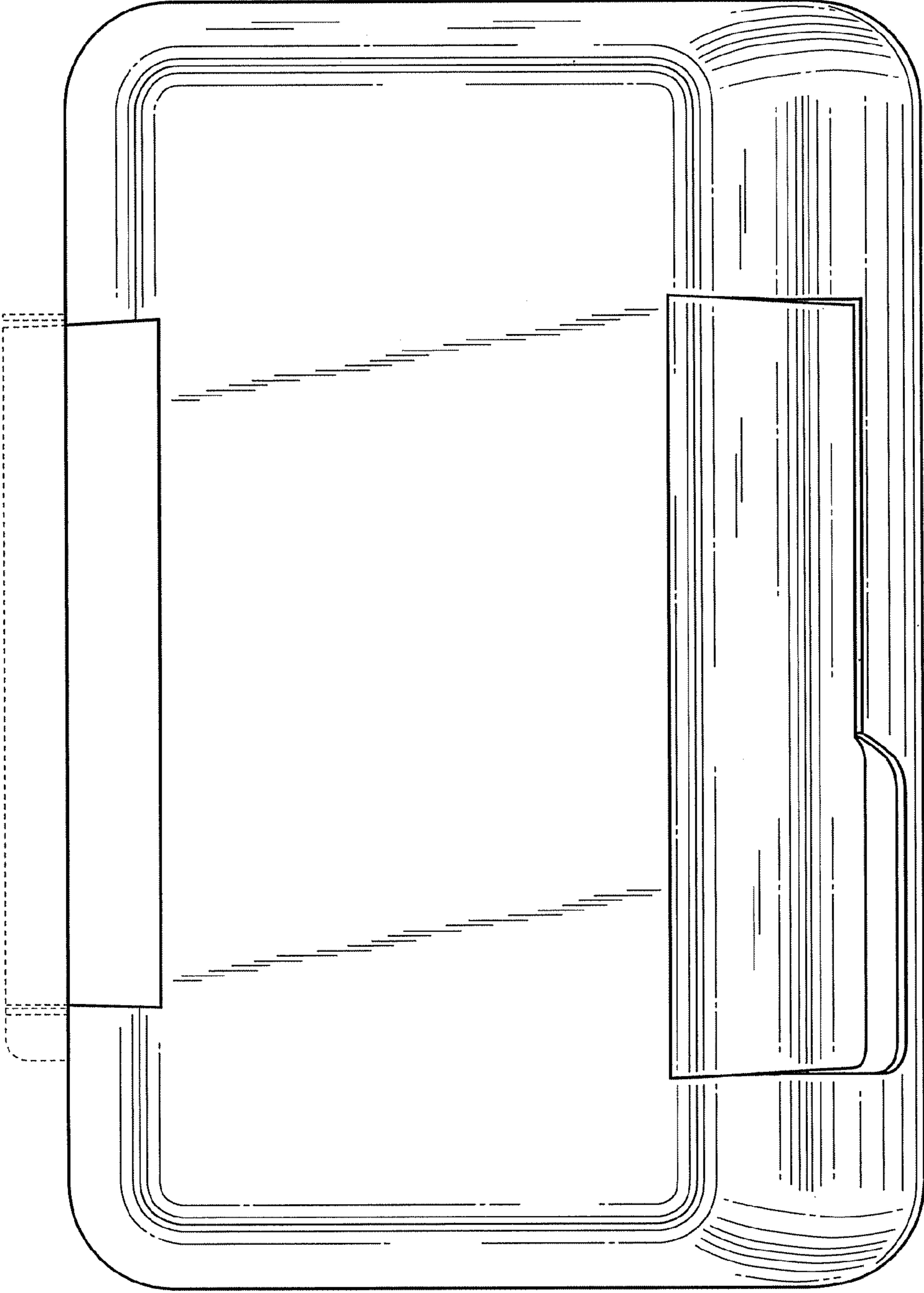


Fig. 3

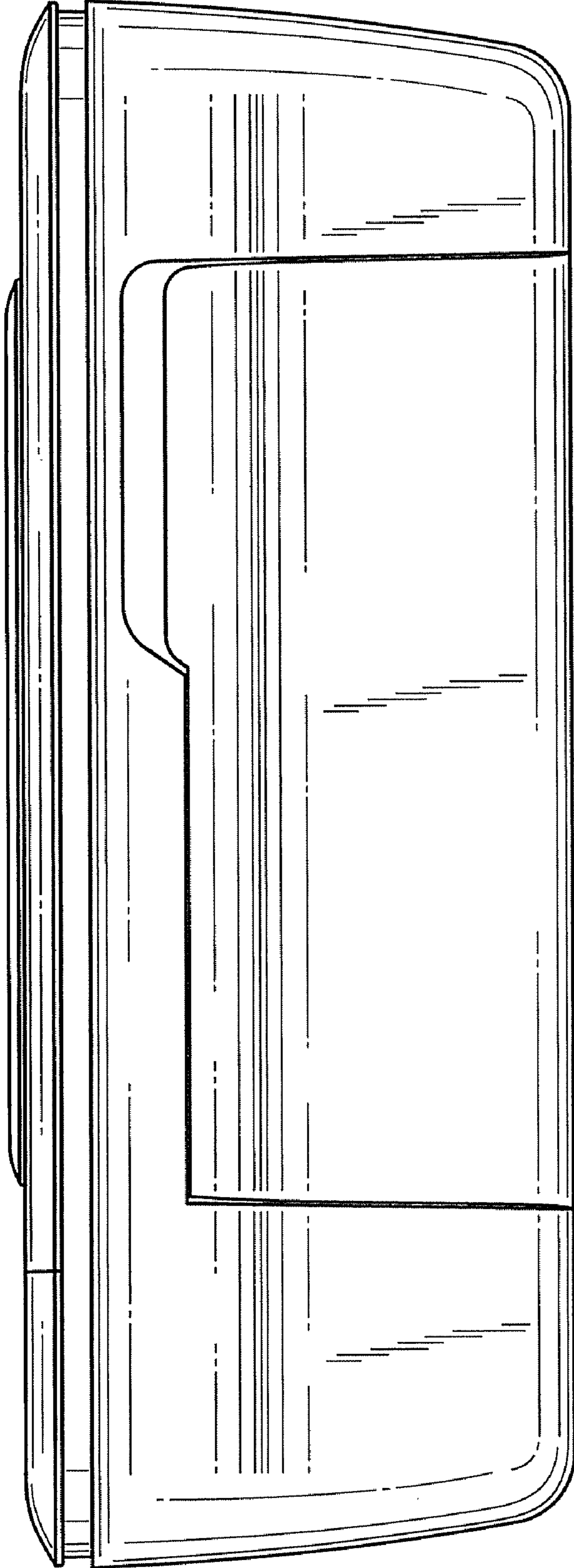


Fig. 4

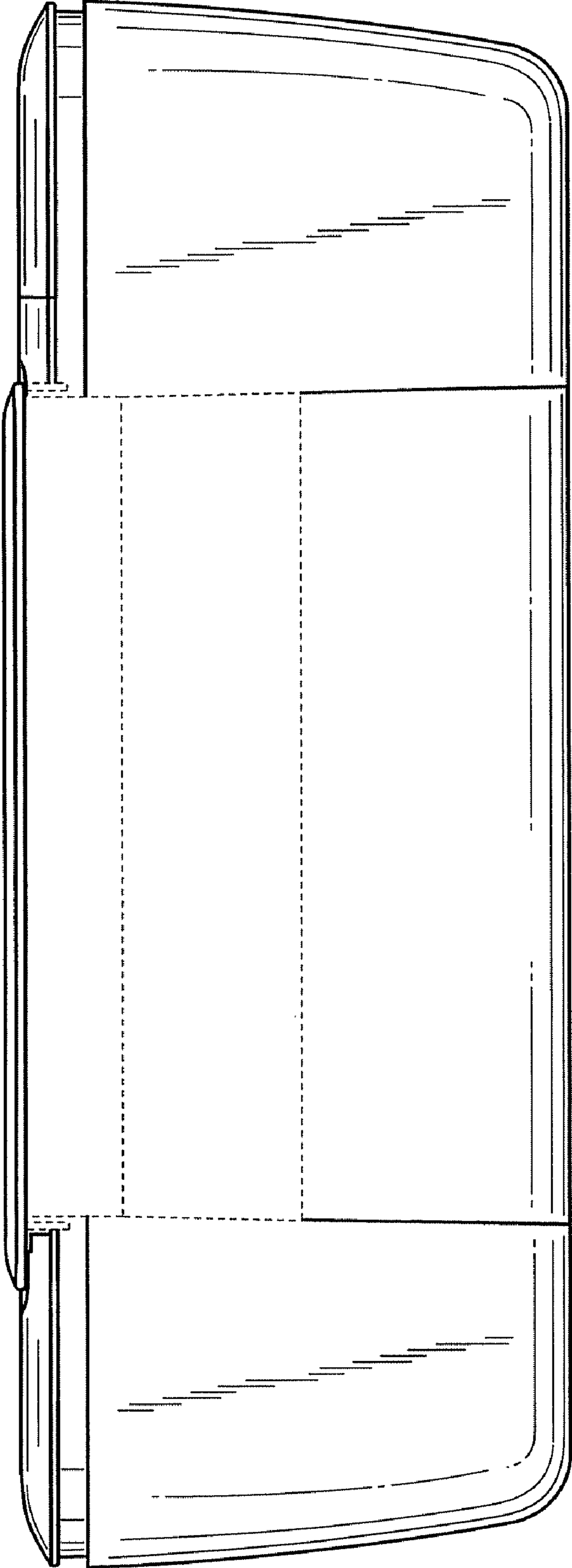


Fig. 5

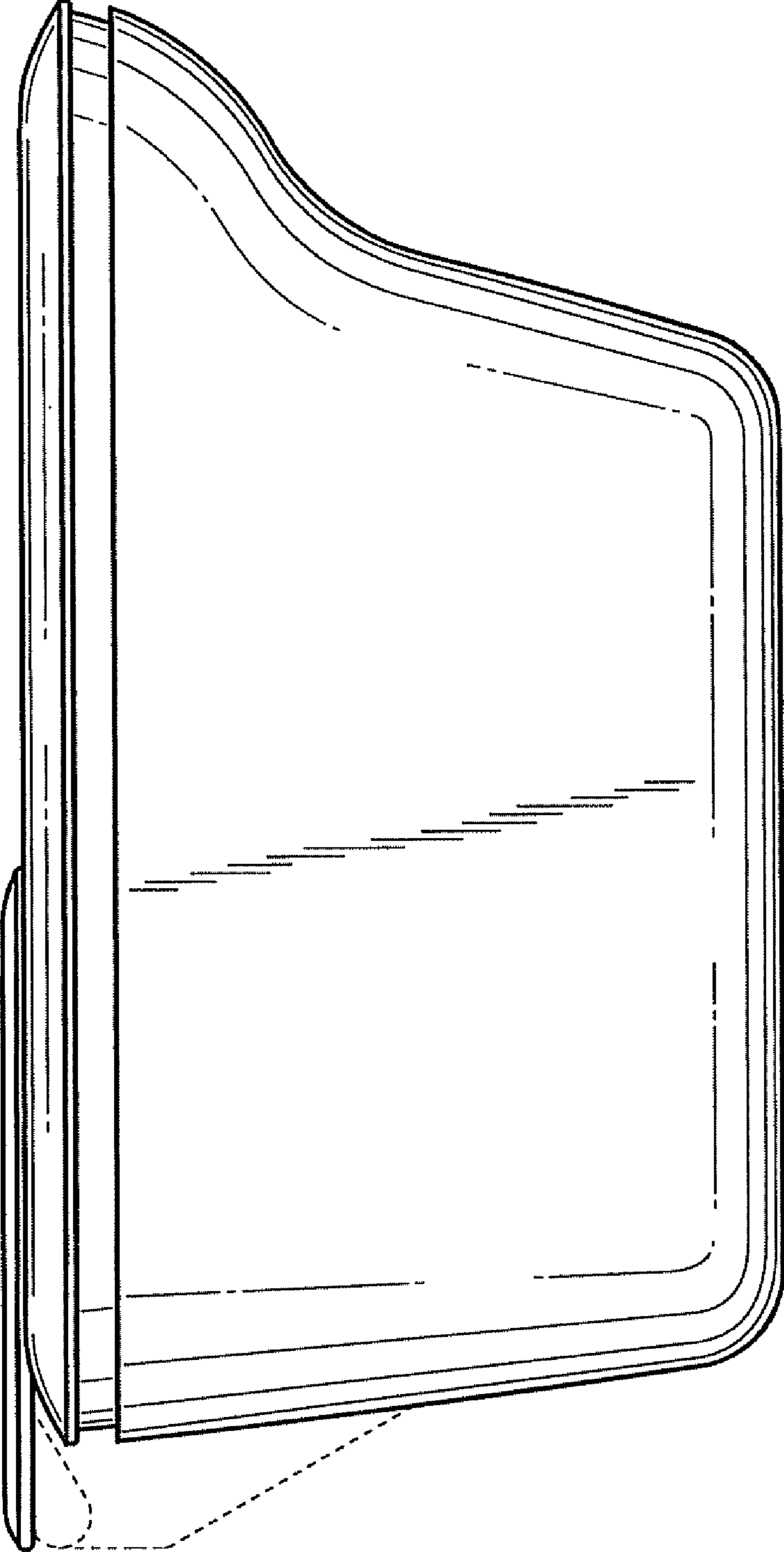


Fig. 6

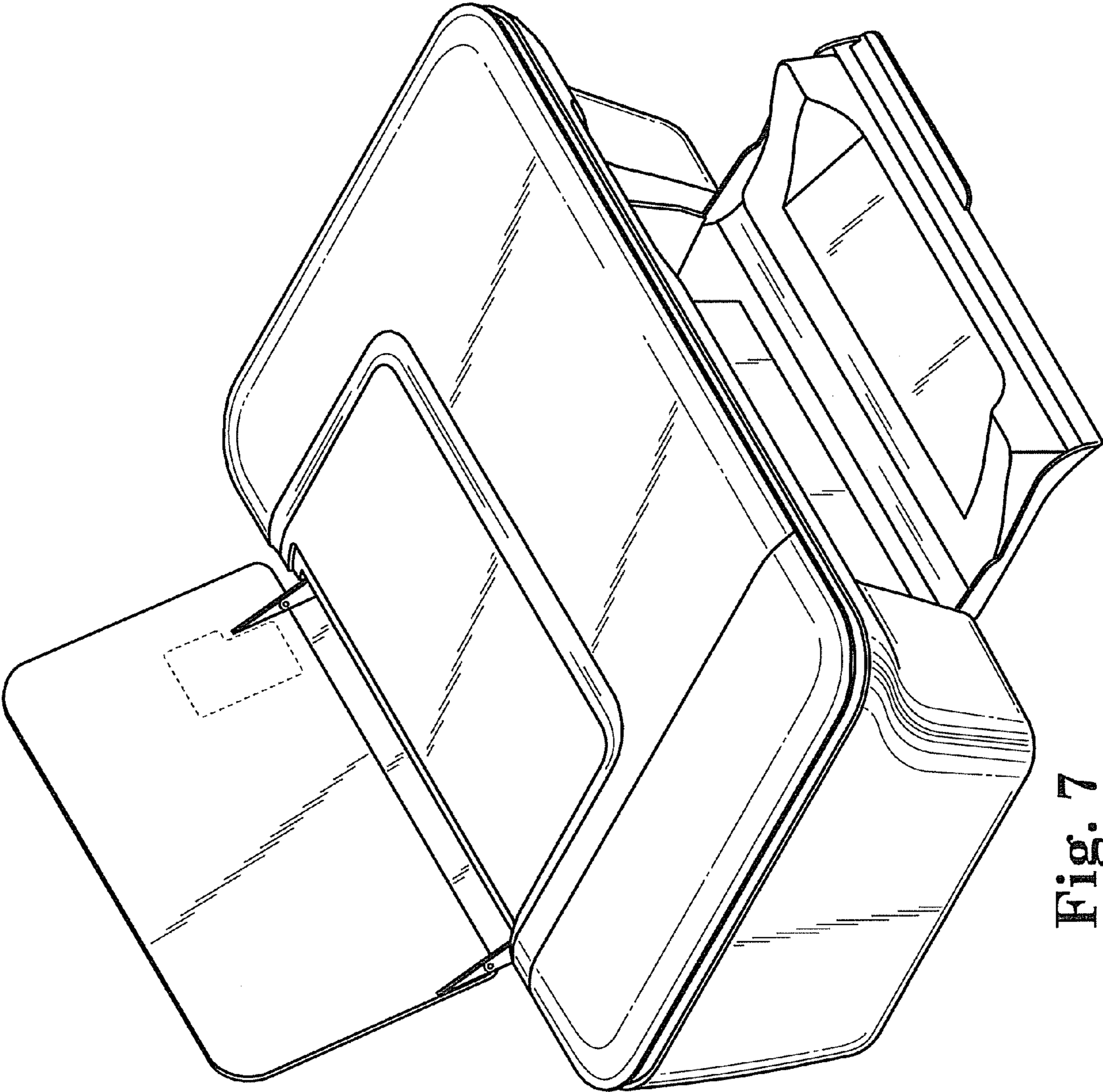


Fig. 7