



US00D647956S

(12) **United States Design Patent**
Kweon et al.

(10) **Patent No.:** **US D647,956 S**
(45) **Date of Patent:** **** Nov. 1, 2011**

(54) **DEVELOPING DEVICE FOR A LASER PRINTER**

(75) Inventors: **Dae-Seob Kweon**, Kyunggi-do (KR);
Jong-In Kim, Kyunggi-do (KR);
Sang-Hoon Lee, Kyunggi-do (KR)

(73) Assignee: **Samsung Electronics Co., Ltd.**,
Kyunggi-do (KR)

(**) Term: **14 Years**

(21) Appl. No.: **29/348,991**

(22) Filed: **Feb. 26, 2010**

(51) **LOC (9) Cl.** **16-03**

(52) **U.S. Cl.** **D18/43**

(58) **Field of Classification Search** D14/471;
D18/12, 36, 40, 43, 44, 56; 222/DIG. 1;
347/197, 222; 399/24–28, 107–112, 119,
399/121, 122, 222–224

See application file for complete search history.

(56) **References Cited**

U.S. PATENT DOCUMENTS

D378,830 S	4/1997	Kim	
D438,891 S *	3/2001	Hoshino et al.	D18/40
D464,079 S *	10/2002	Funayama et al.	D18/43
D519,150 S *	4/2006	Kojima et al.	D18/40
D538,850 S	3/2007	Choi et al.	
D539,335 S	3/2007	Jeon et al.	
D544,528 S	6/2007	Kim	
D546,382 S	7/2007	Noh et al.	
D547,368 S	7/2007	Han	
D551,286 S	9/2007	Han	
D555,193 S	11/2007	Choi	
D559,902 S	1/2008	Park et al.	
D570,403 S	6/2008	Park et al.	
D577,061 S	9/2008	Kim	
7,424,243 B2 *	9/2008	Kweon	399/107
D580,485 S	11/2008	Park et al.	
D581,975 S	12/2008	Park et al.	

D582,473 S	12/2008	Park et al.
D583,862 S	12/2008	Park et al.
D584,343 S	1/2009	Kwon
D584,345 S	1/2009	Choi et al.
D584,765 S	1/2009	Park et al.
D586,847 S	2/2009	Han
D587,303 S	2/2009	Park
D588,191 S	3/2009	Baek et al.
D597,592 S	8/2009	Kim
D597,593 S	8/2009	Jeon et al.
D598,049 S	8/2009	Park
D600,276 S	9/2009	Noh et al.
D600,744 S	9/2009	Kim

(Continued)

OTHER PUBLICATIONS

U.S. Appl. No. 29/313,190, Applicant: Seung-Gweon Lee, et al., filed Dec. 12, 2008 entitled Developing Device for a Color Printer.

(Continued)

Primary Examiner — Garth Rademaker

(74) *Attorney, Agent, or Firm* — Flynn, Theil, Boutell & Tanis, P.C.

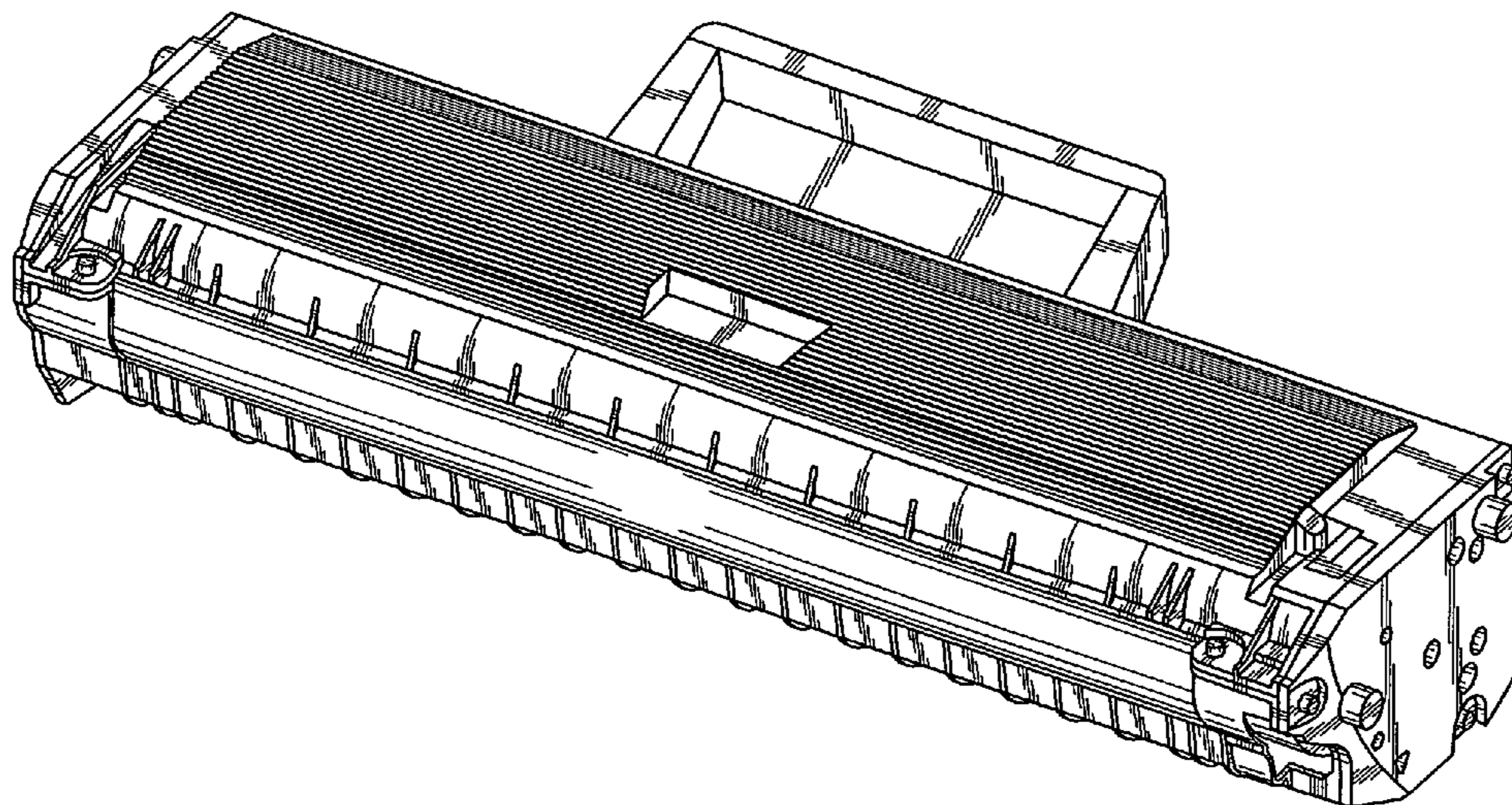
(57) **CLAIM**

The ornamental design for a developing device for a laser printer, as shown and described.

DESCRIPTION

FIG. 1 is a top front perspective view of a developing device for a laser printer showing our new design; FIG. 2 is a front elevational view thereof; FIG. 3 is a rear elevational view thereof; FIG. 4 is a left side elevational view thereof; FIG. 5 is a right side elevational view thereof; FIG. 6 is a top plan view thereof; and, FIG. 7 is a bottom plan view thereof. The broken lines depict environmental subject matter only and form no part of the claimed design.

1 Claim, 3 Drawing Sheets



US D647,956 S

Page 2

U.S. PATENT DOCUMENTS

D613,331 S 4/2010 Park et al.
2008/0298838 A1* 12/2008 Sato et al. 399/119
2009/0003874 A1* 1/2009 Silva 399/109

OTHER PUBLICATIONS

U.S. Appl. No. 29/313,635, Applicant: Gyeong-Sun Park, et al., filed
Jan. 27, 2009 entitled Development Device for Printer.
U.S. Appl. No. 29/313,632, Applicant: Gyeong-Sun Park, et al., filed
Jan. 27, 2009 entitled Toner Cartridge.

U.S. Appl. No. 29/313,633, Applicant: Gyeong-Sun Park, et al., filed
Jan. 27, 2009 entitled Toner Cartridge.

U.S. Appl. No. 29/316,709, Applicant: Jong-in Kim, filed Oct. 23,
2009 entitled Cartridge for Printer Development Device.

U.S. Appl. No. 29/313,631, Applicant: Gyeong-Sun Park, et al., filed
Jan. 27, 2009 entitled Toner Cartridge.

U.S. Appl. No. 29/316,711, Applicant: Jong-In Kim, filed Oct. 23,
2009 entitled Cartridge for Printer Development Device.

* cited by examiner

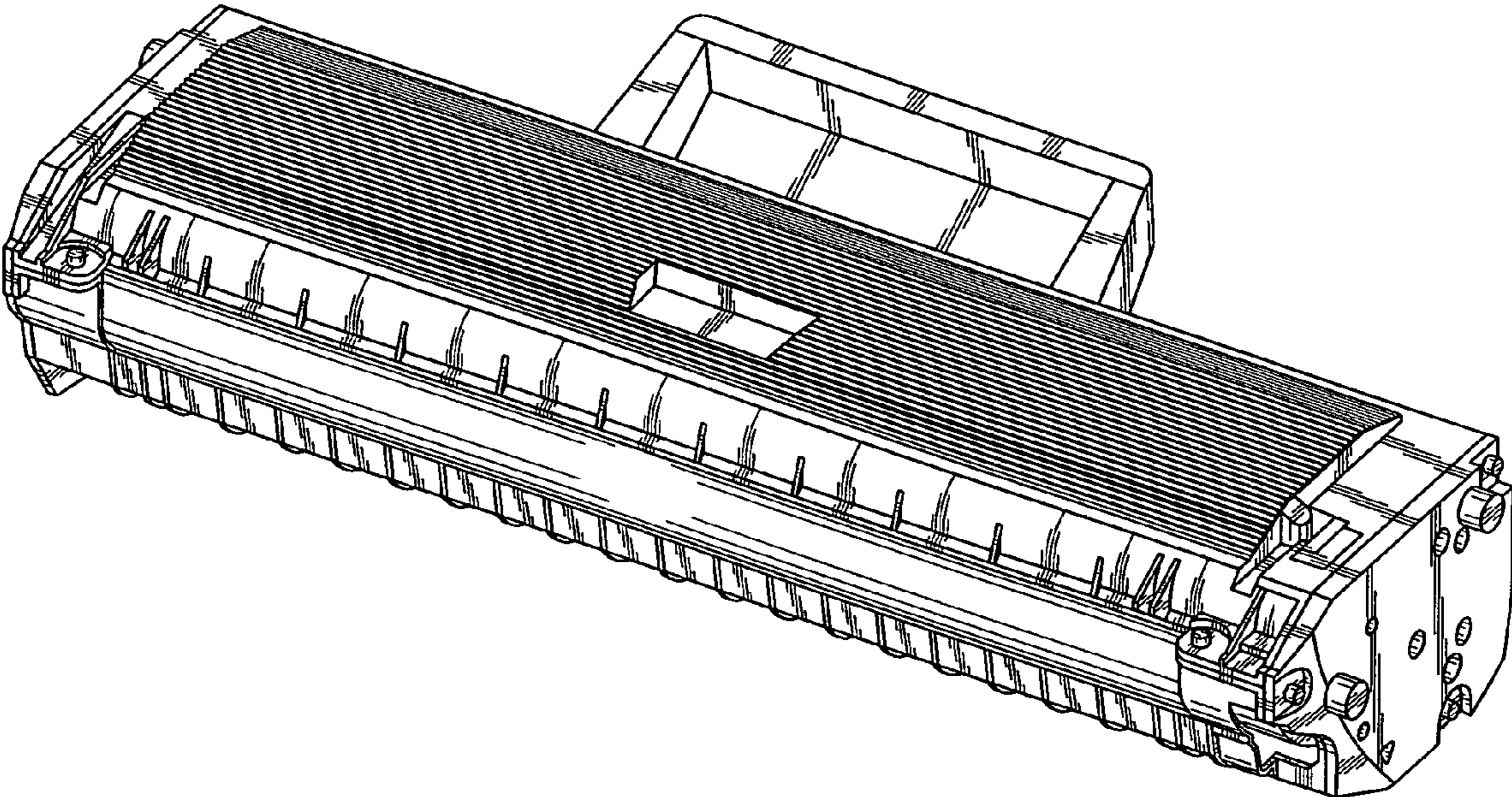


FIG. 1

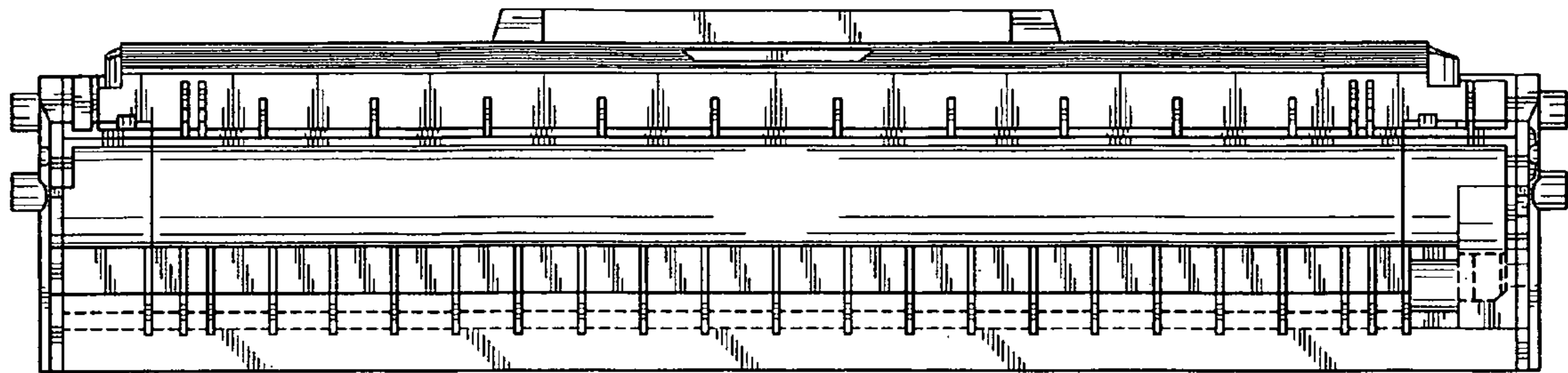


FIG. 2

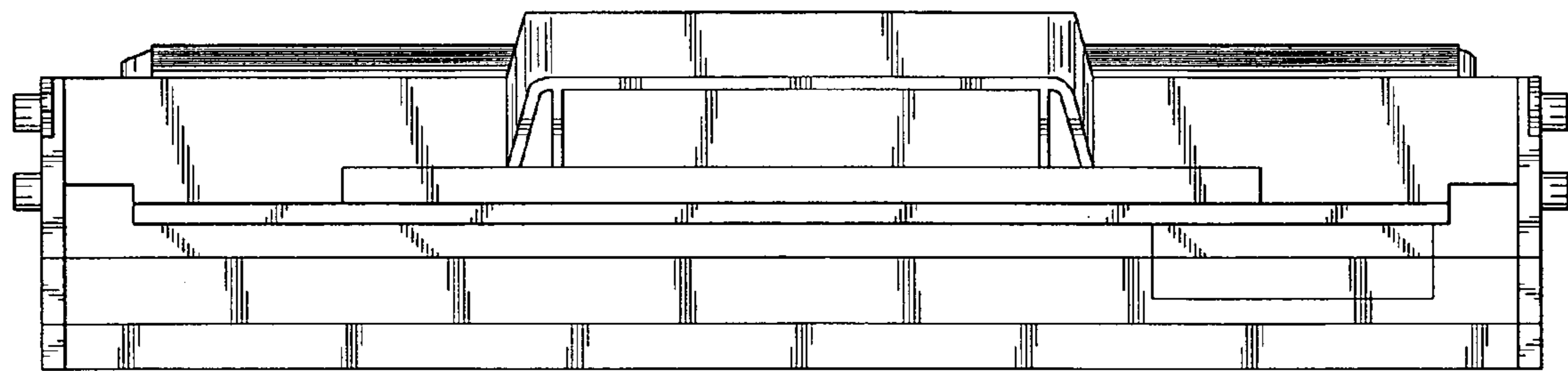


FIG. 3

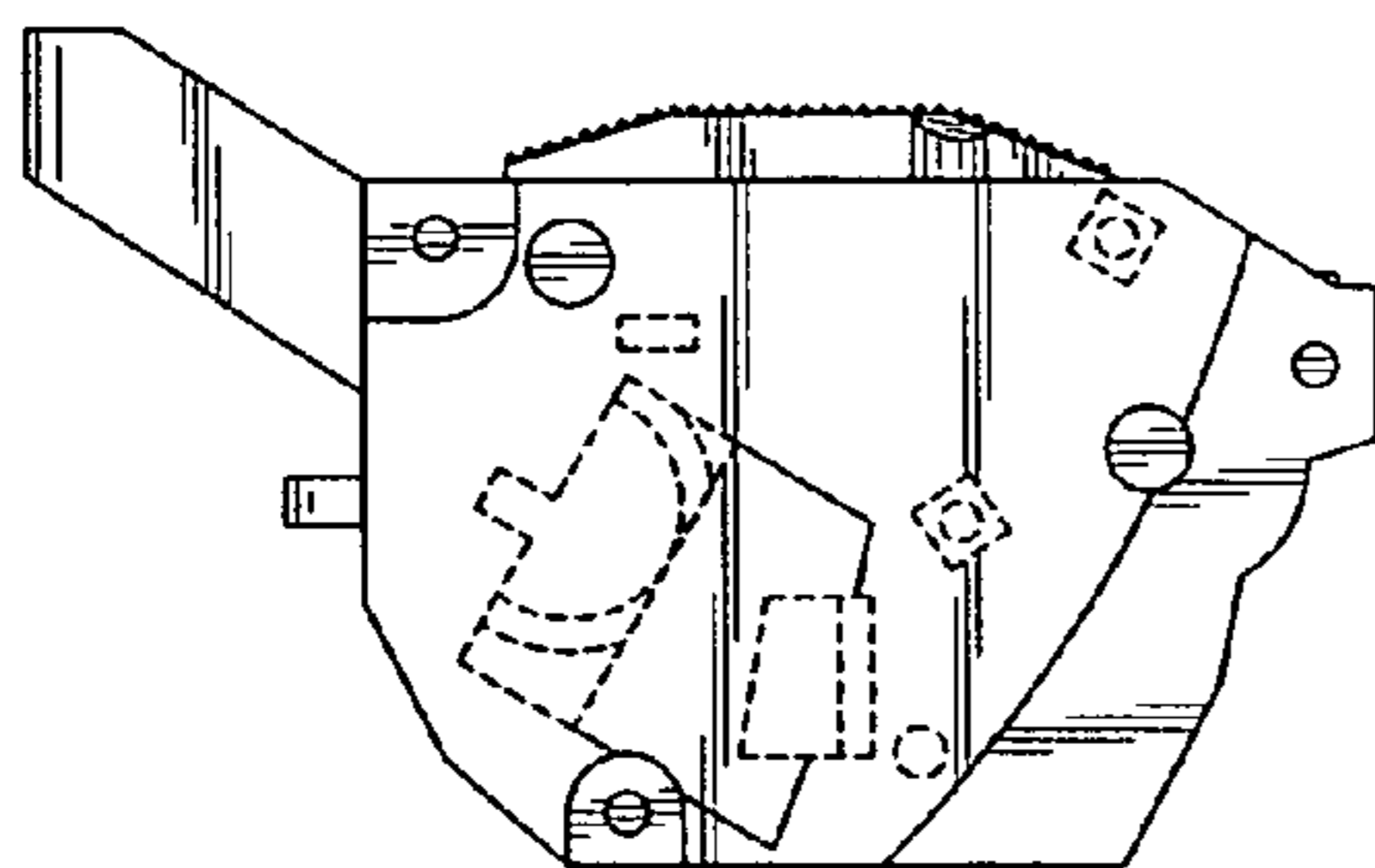


FIG. 4

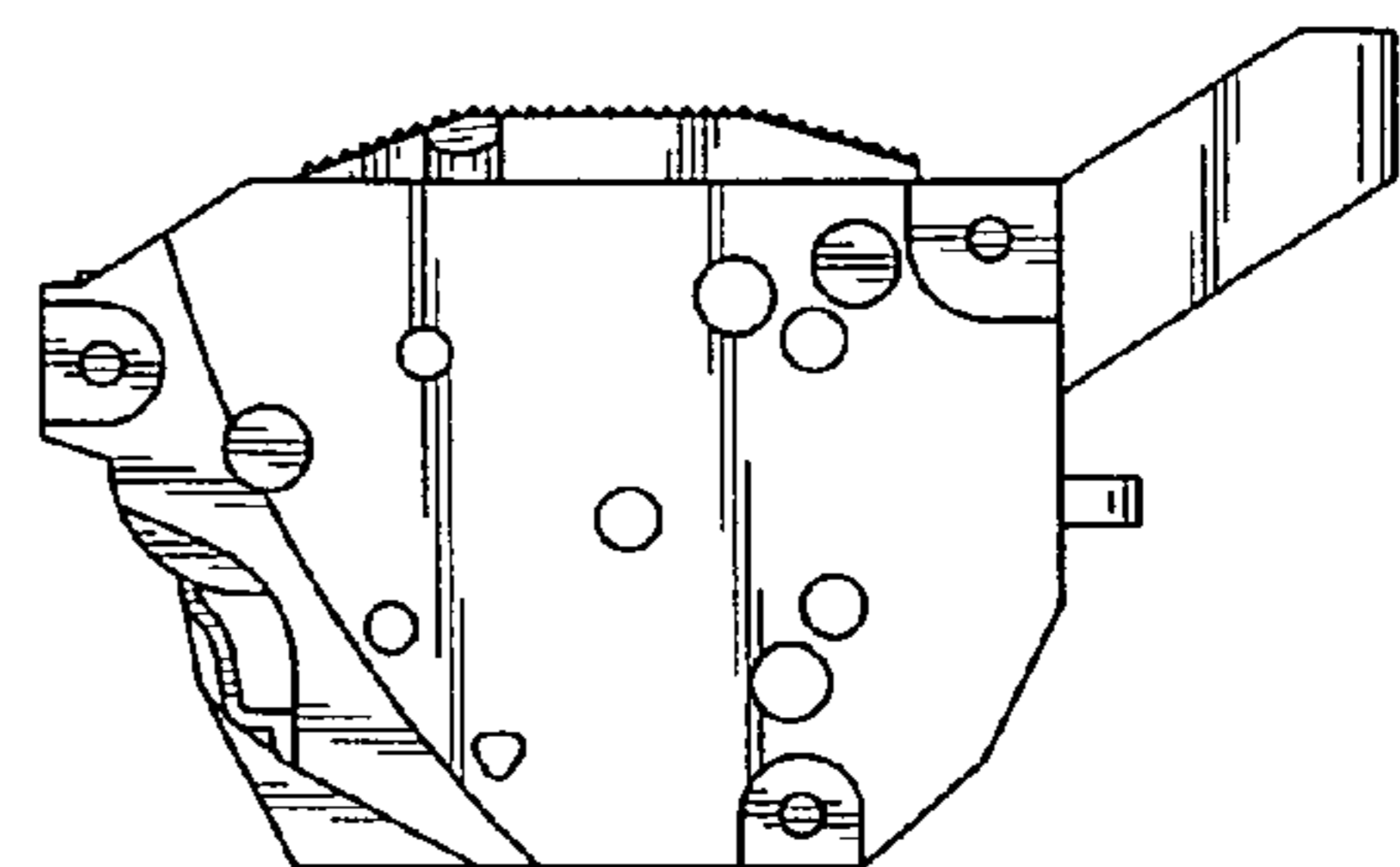


FIG. 5

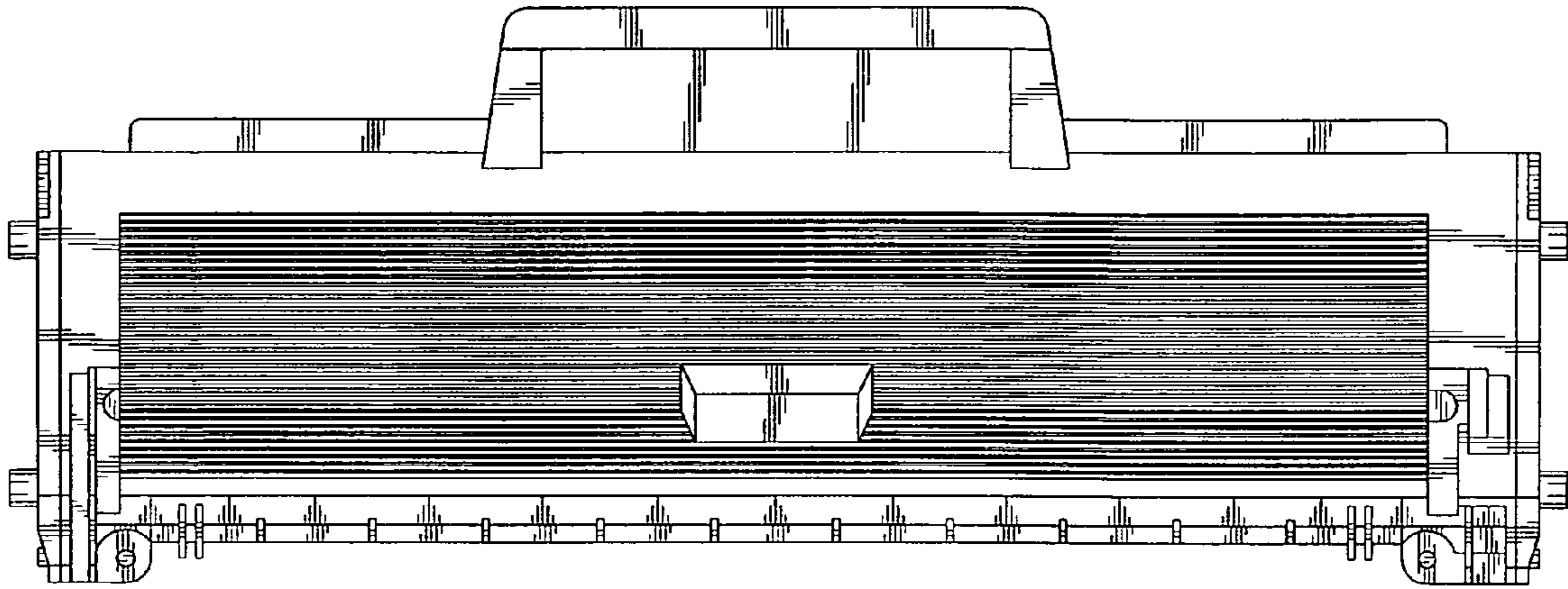


FIG. 6

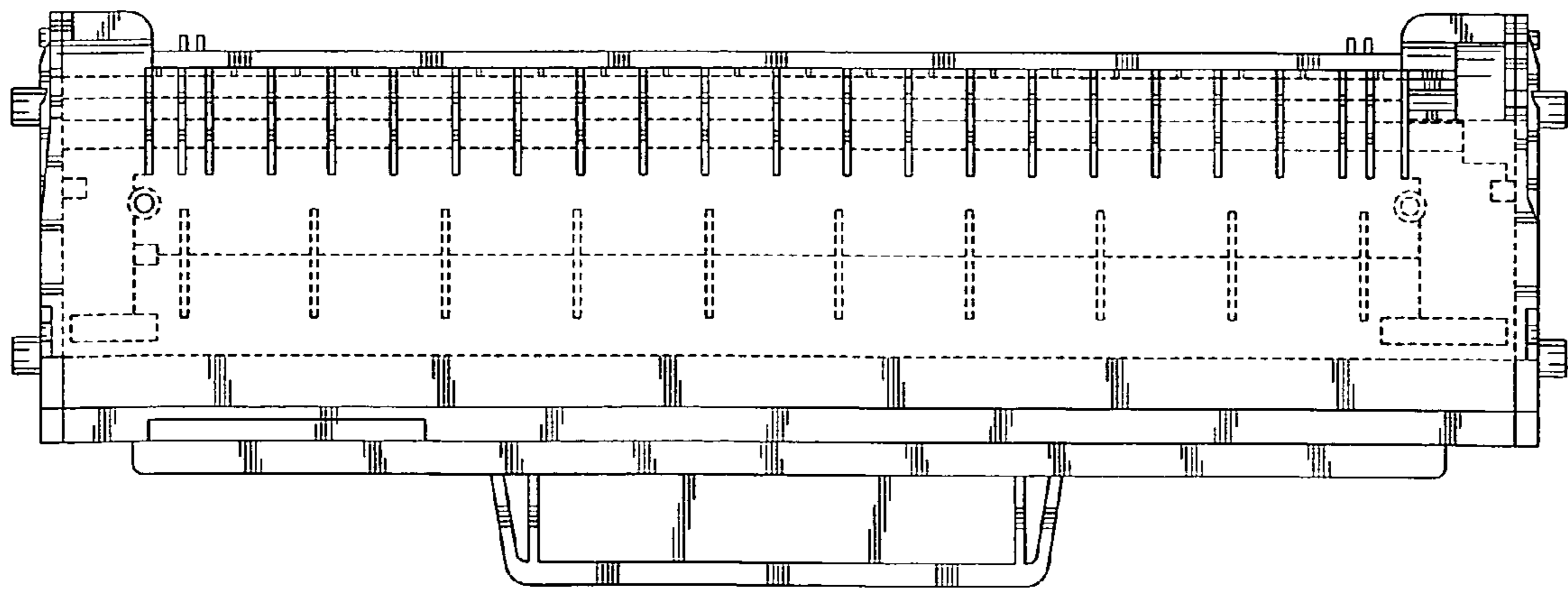


FIG. 7