



US00D647951S

(12) **United States Design Patent**
Fuchs

(10) **Patent No.:** **US D647,951 S**
(45) **Date of Patent:** **** Nov. 1, 2011**

(54) **EYEGLASSES, SUNGLASSES, OR LIKE EYEWEAR**

(75) Inventor: **Gerhard Fuchs, Kauns (AT)**

(73) Assignee: **Silhouette International Schmied AG, Linz (AU)**

(**) Term: **14 Years**

(21) Appl. No.: **29/360,087**

(22) Filed: **Apr. 20, 2010**

(30) **Foreign Application Priority Data**

Oct. 22, 2009 (EM) 001627191

(51) **LOC (9) Cl.** **16-06**

(52) **U.S. Cl.** **D16/334**

(58) **Field of Classification Search** D16/101,
D16/300-342; D29/109-110; D24/110.2;
351/41, 44, 51-52, 62, 158, 92, 103-123,
351/140, 153, 45-46; 2/426-432, 447-449,
2/441, 434-437, 13, 15; D21/483, 659-661
See application file for complete search history.

(56) **References Cited**

U.S. PATENT DOCUMENTS

2,976,766	A *	3/1961	Bianchi	351/113
4,494,834	A *	1/1985	Tabacchi	351/153
4,991,258	A *	2/1991	Drlik	16/228
5,666,181	A *	9/1997	Conway	351/113
6,505,933	B2 *	1/2003	Schuchard et al.	351/113
7,066,595	B1 *	6/2006	Chen	351/113
7,077,518	B1 *	7/2006	Lee	351/113
7,637,609	B1 *	12/2009	Ifergan	351/153
7,775,658	B2 *	8/2010	Antoniacomì	351/113
7,798,637	B2 *	9/2010	Medana	351/113
2007/0192991	A1 *	8/2007	Buchegger	16/228
2010/0162525	A1 *	7/2010	Wienicke et al.	16/228

* cited by examiner

Primary Examiner — Raphael Barkai

(74) *Attorney, Agent, or Firm* — Alston & Bird LLP

(57) **CLAIM**

The ornamental design for eyeglasses, sunglasses, or like eyewear, as shown and described.

DESCRIPTION

FIG. 1 is a perspective view of eyeglasses, sunglasses, or like eyewear showing my new design;

FIG. 2 is a front elevation view thereof;

FIG. 3 is a rear elevation view thereof; and

FIG. 4 is a top plan view thereof;

FIG. 5 is a bottom plan view thereof;

FIG. 6 is a left side elevation view thereof, the right side elevation view being a mirror image;

FIG. 7 is side elevation cross-section view thereof taken along line 7-7 in FIG. 4;

FIG. 8 is an enlarged perspective view of a portion thereof indicated in FIG. 1;

FIG. 9 is an enlarged top plan view of a portion thereof indicated in FIG. 4;

FIG. 10 is an enlarged bottom plan view of a portion thereof indicated in FIG. 5;

FIG. 11 is an enlarged side elevation view of a portion thereof indicated in FIG. 6;

FIG. 12 is an enlarged side elevation view of a portion thereof indicated in FIG. 7;

FIG. 13 is an enlarged perspective view of the internal components of a portion thereof indicated in FIG. 1;

FIG. 14 is an enlarged top plan view of the internal components of a portion thereof indicated in FIG. 4;

FIG. 15 is an enlarged bottom plan view of the internal components of a portion thereof indicated in FIG. 5;

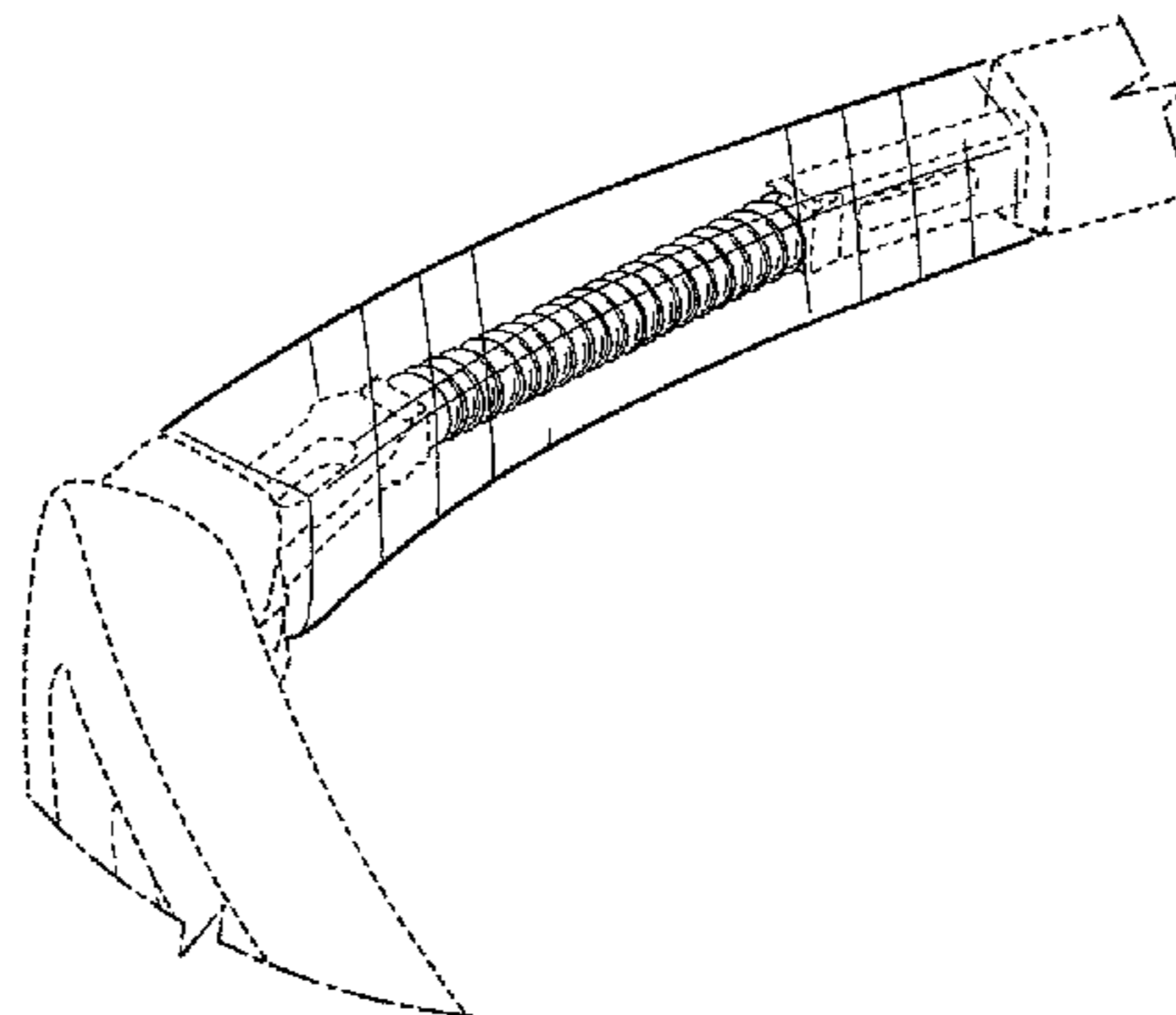
FIG. 16 is an enlarged side elevation view of the internal components of a portion thereof indicated in FIG. 6; and,

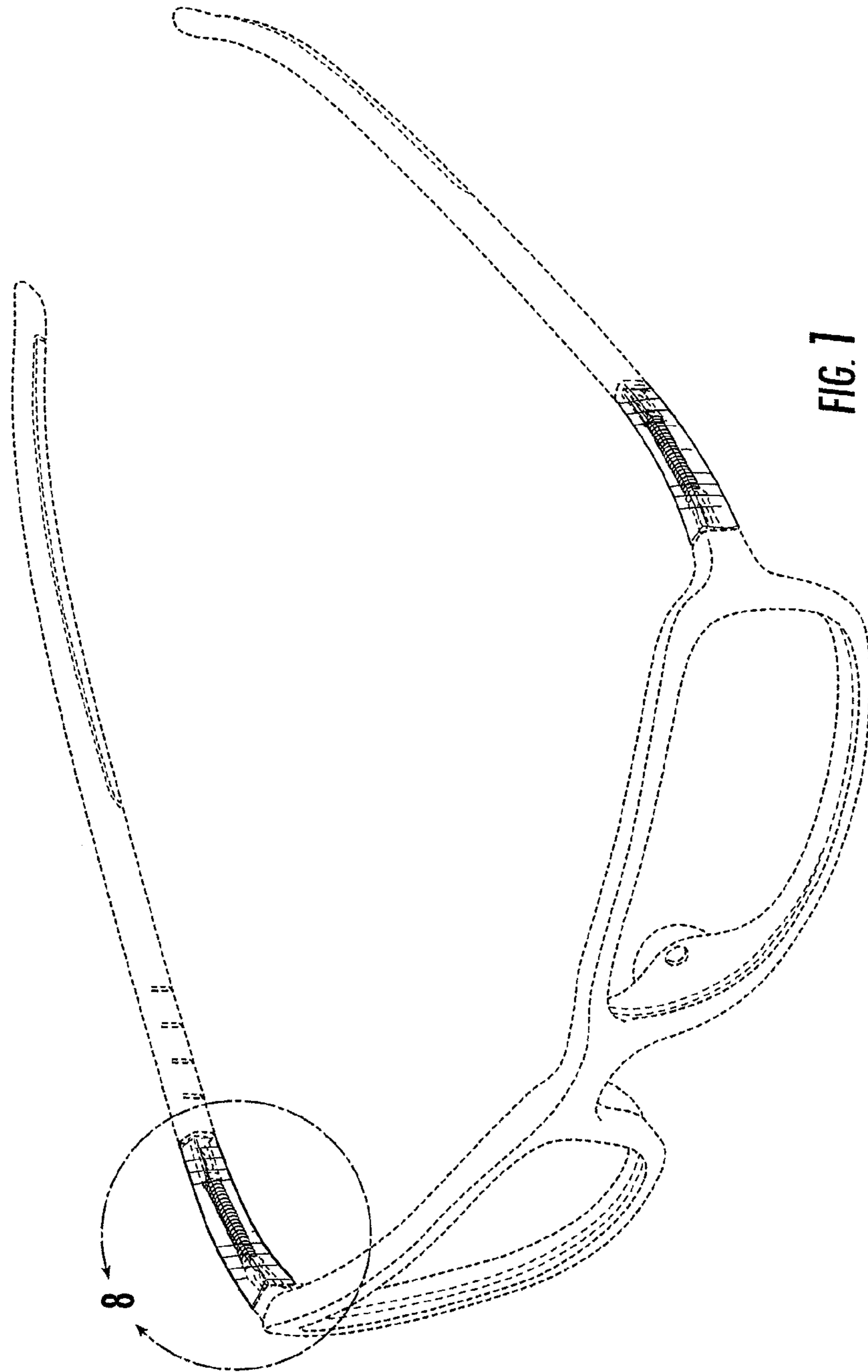
FIG. 17 is an enlarged side elevation view of the internal components of a portion thereof indicated in FIG. 7.

The broken lines immediately adjacent shaded areas represent bounds of the claimed design and environment while all other broken lines are directed to environment and are for illustrative purposes only. The broken lines form no part of the claimed design.

The internal components in FIGS. 13-17 are shown separately for ease of illustration only.

1 Claim, 13 Drawing Sheets





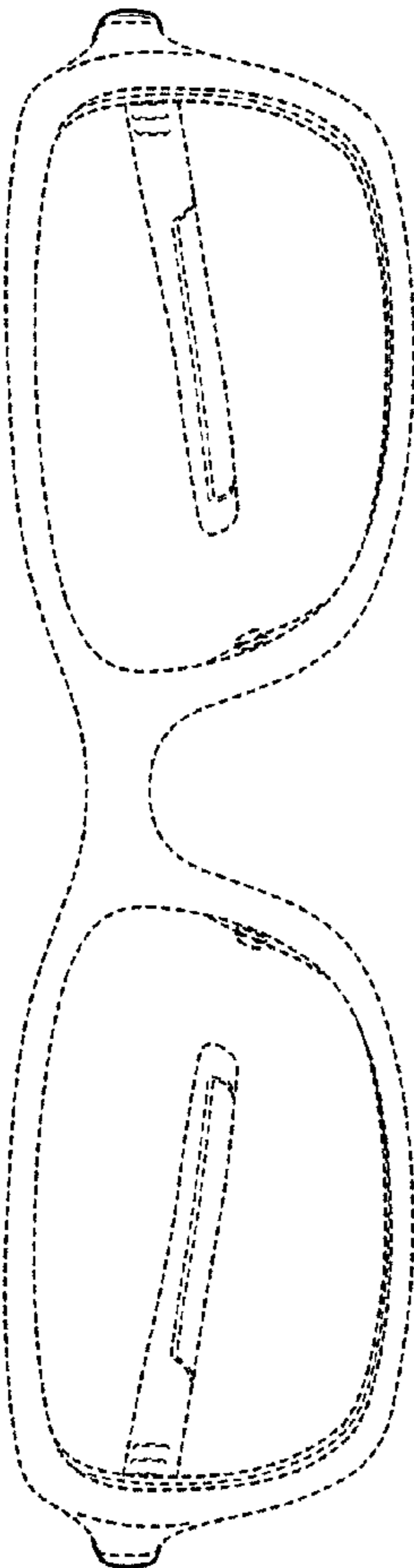


FIG. 2

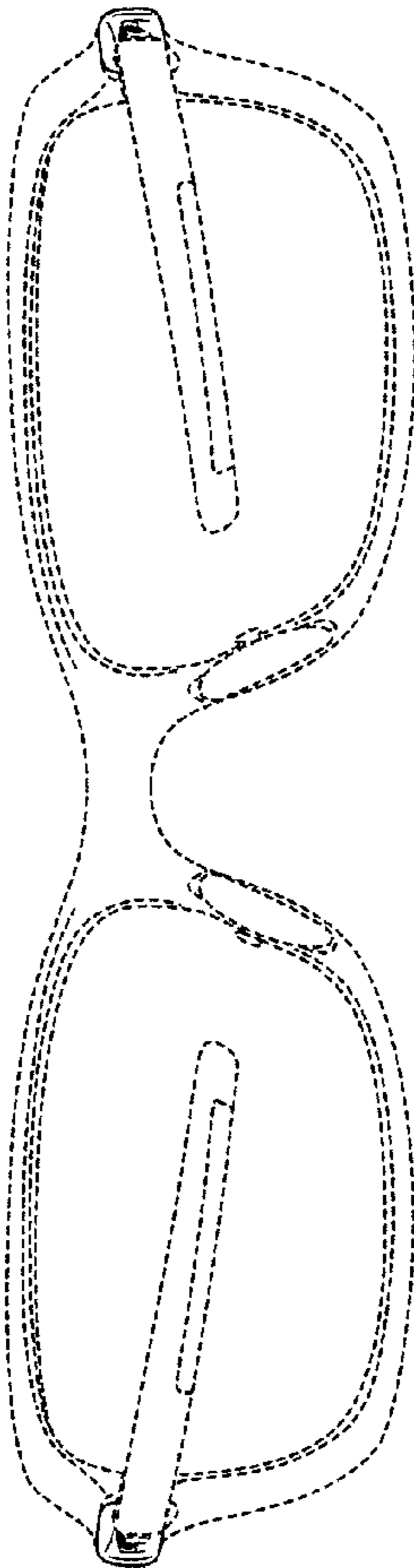


FIG. 3

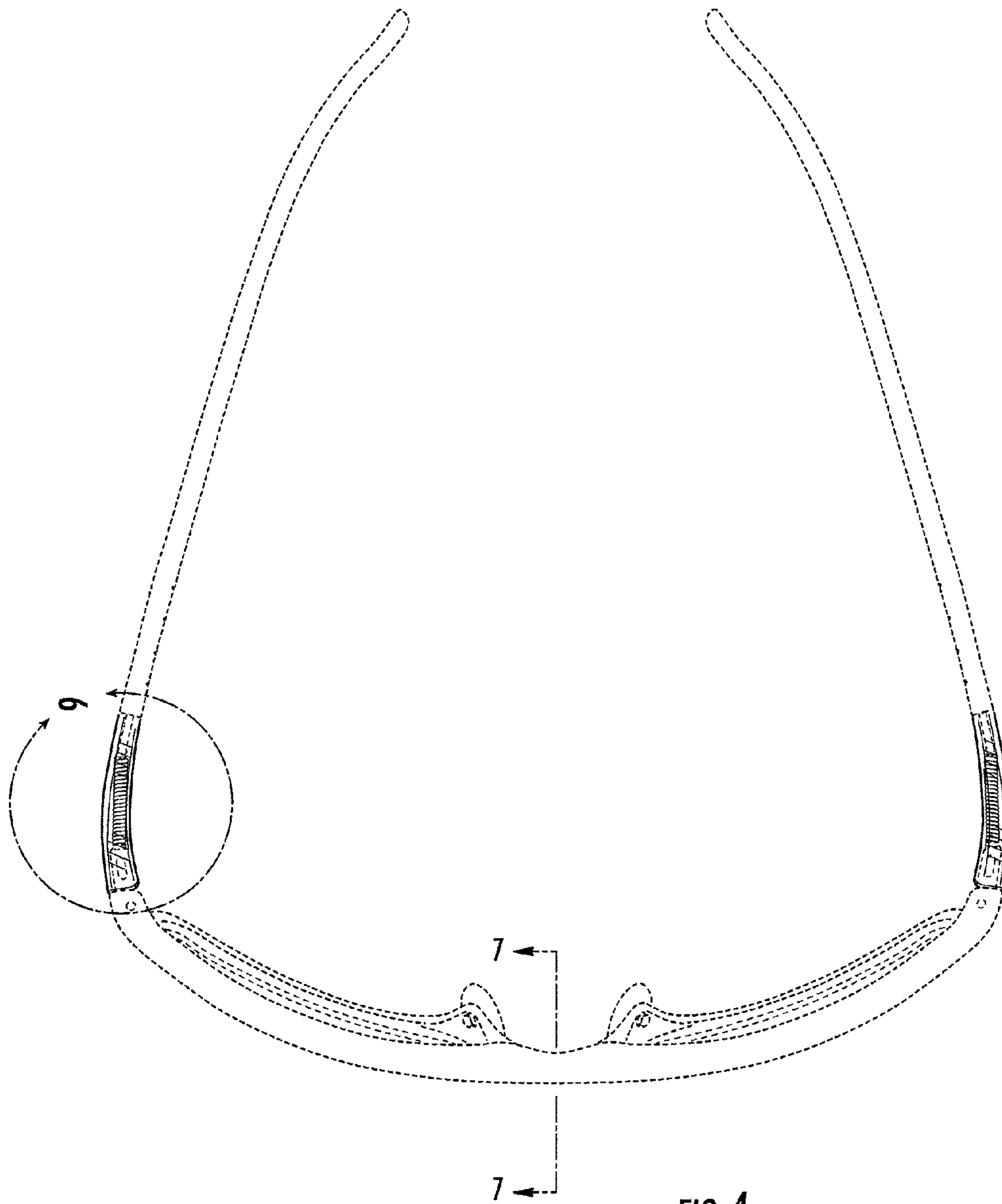


FIG. 4

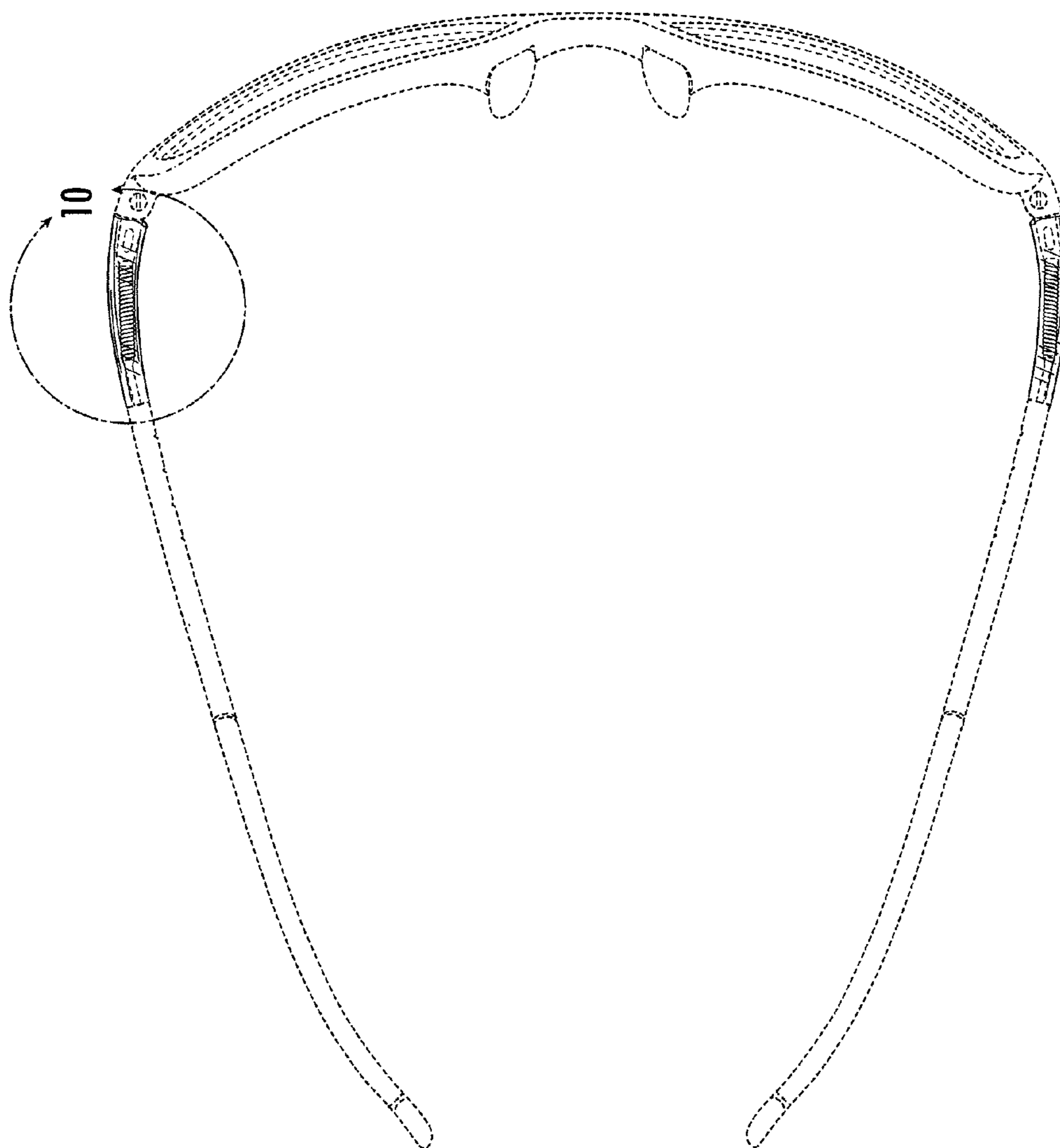


FIG. 5

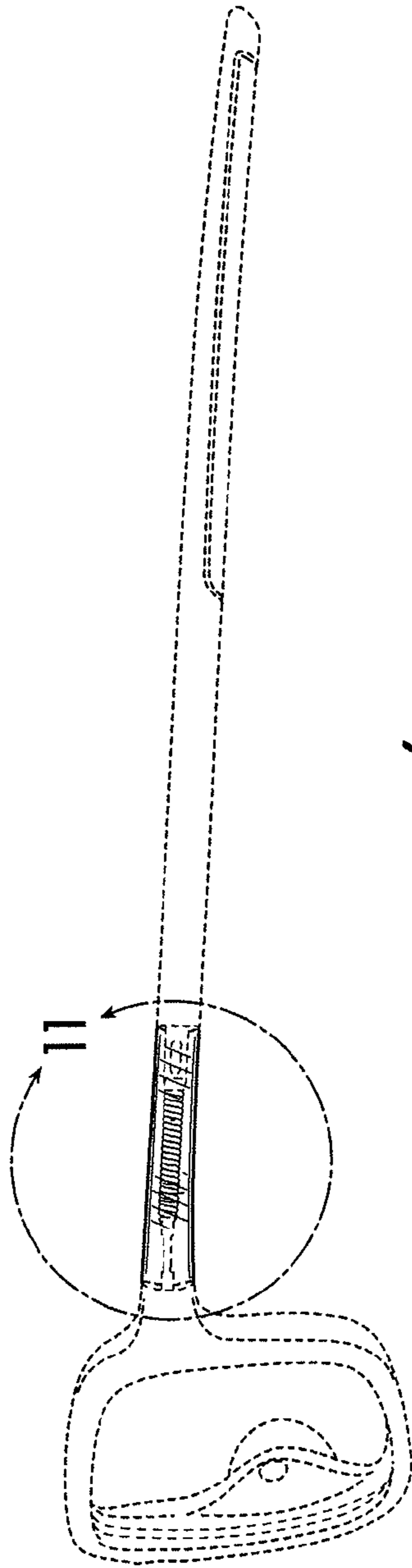


FIG. 6

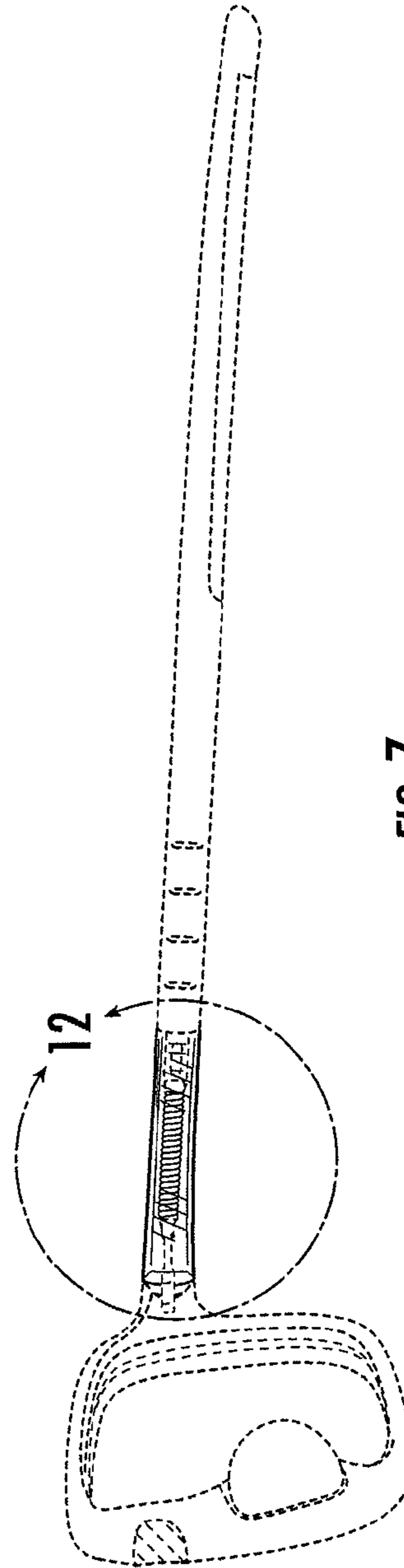


FIG. 7

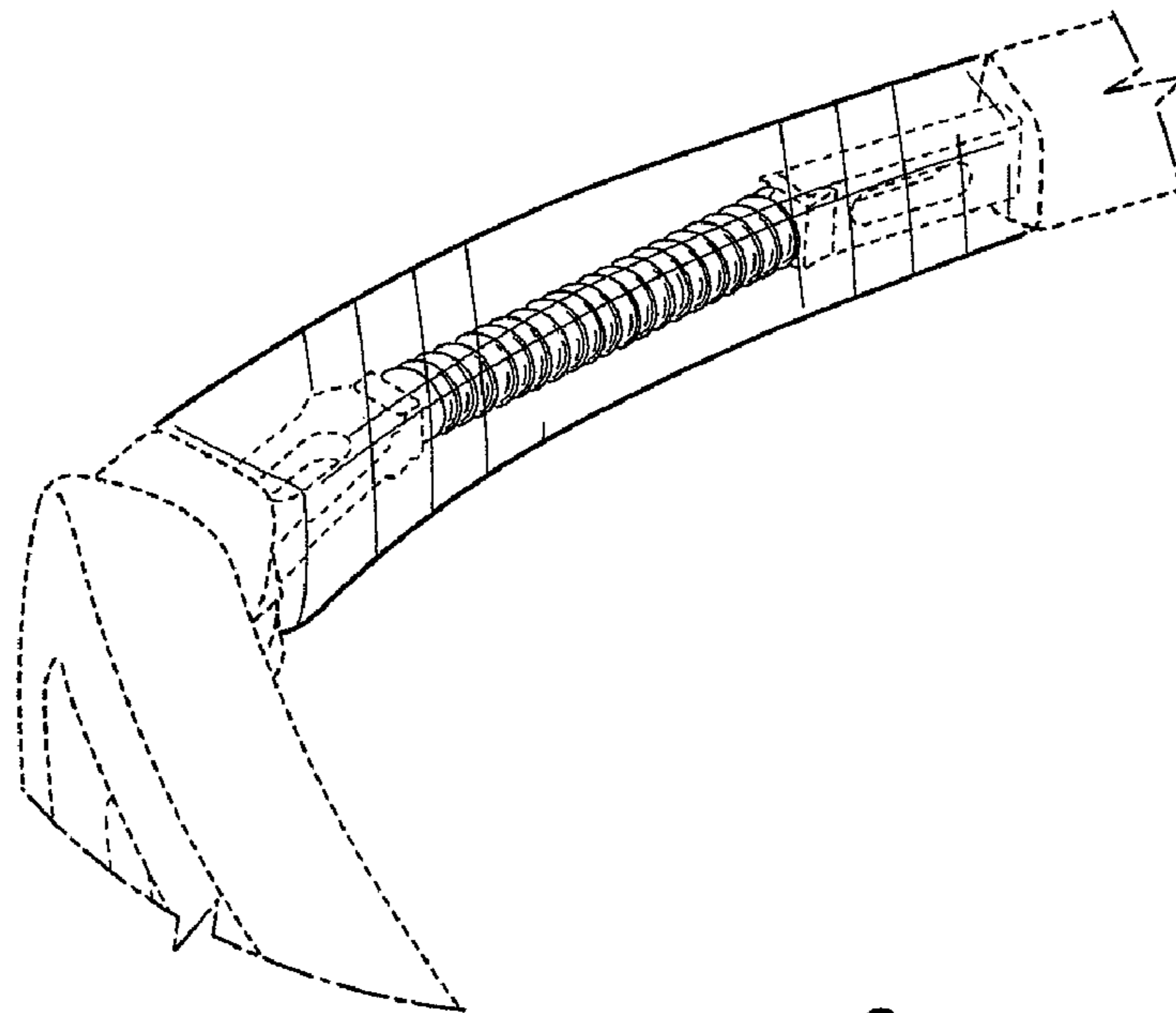


FIG. 8

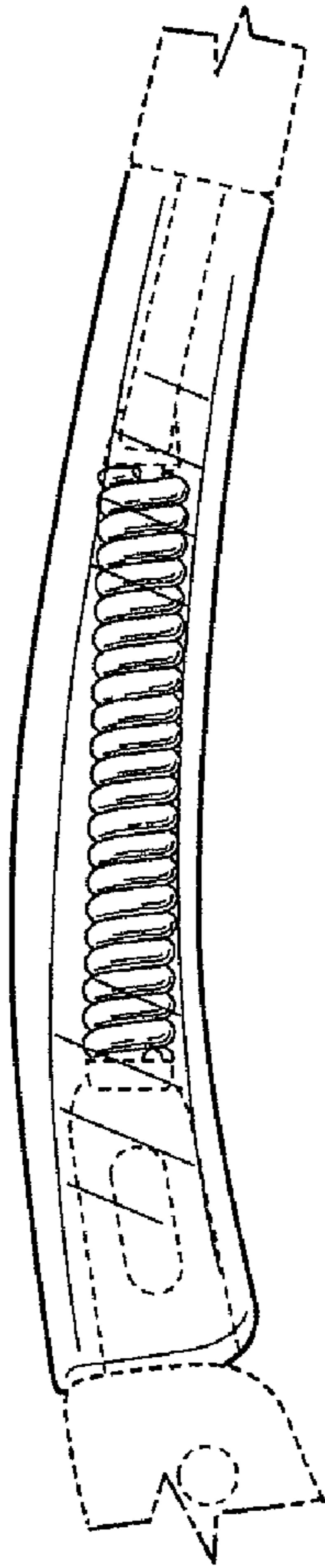


FIG. 9

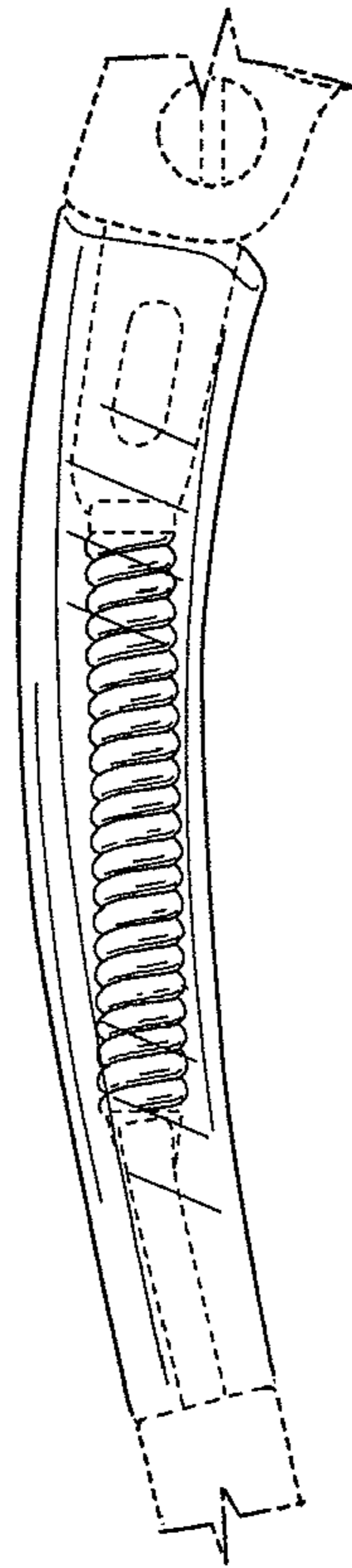


FIG. 10

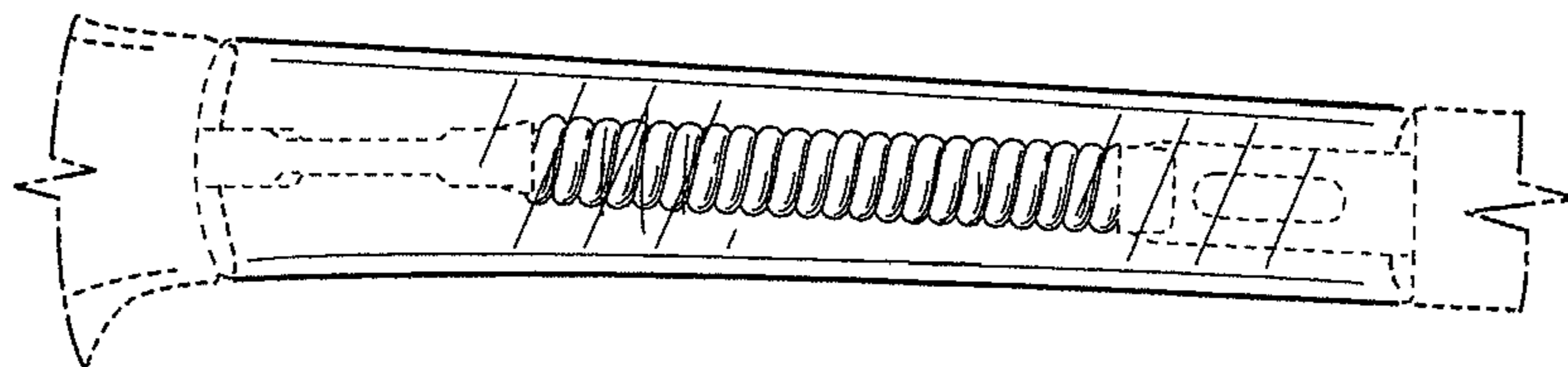


FIG. 11

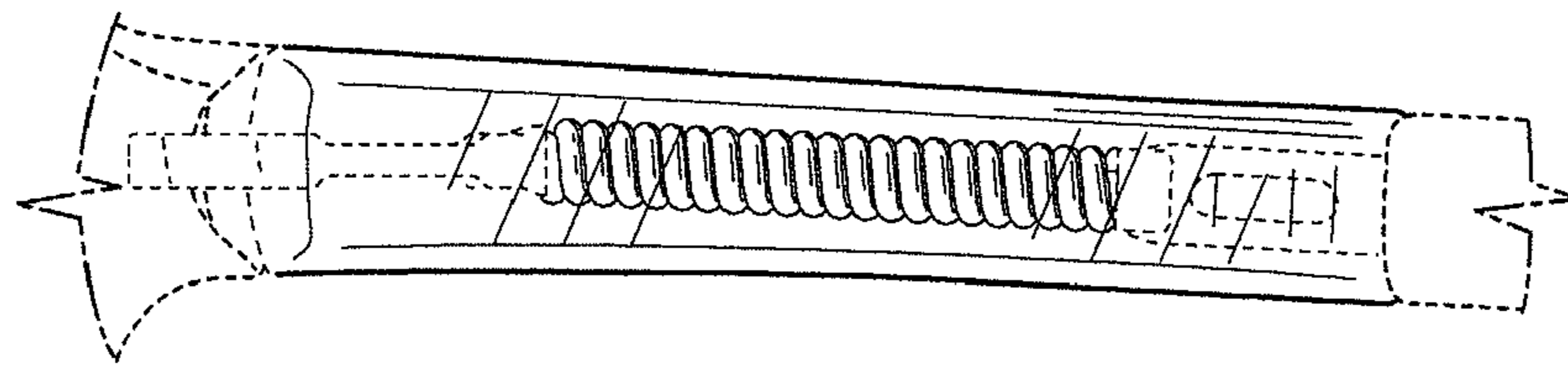


FIG. 12

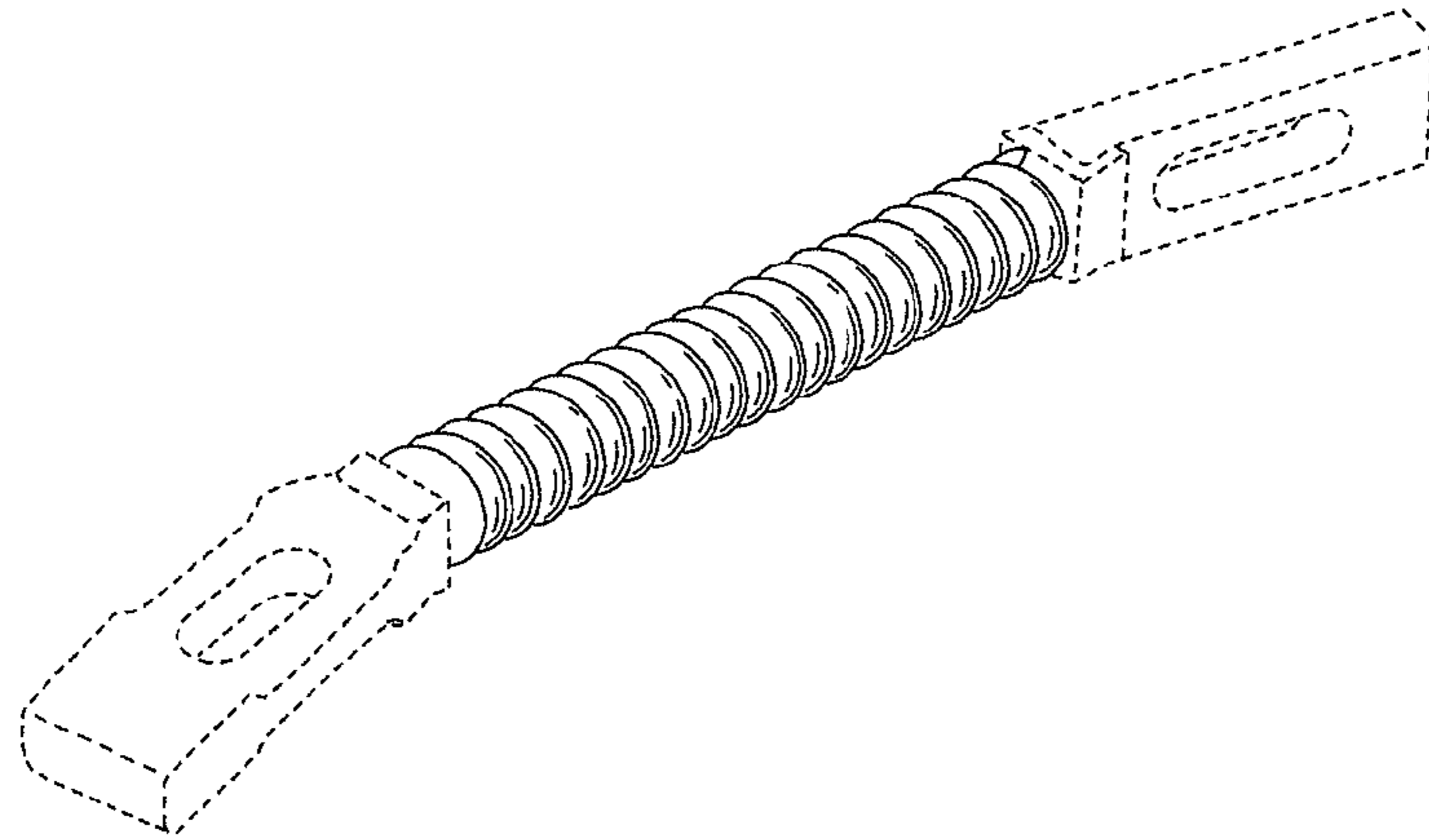


FIG. 13

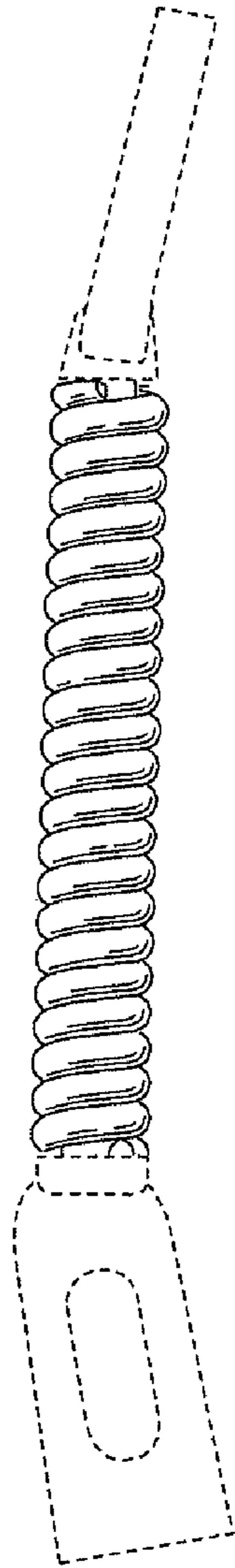


FIG. 14

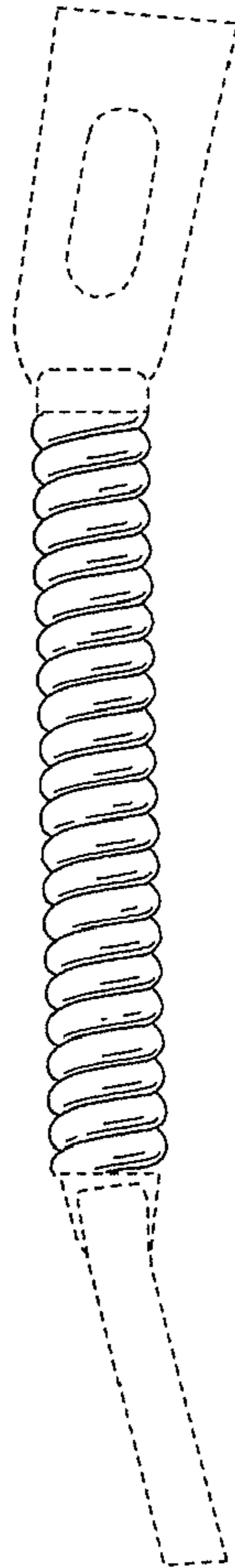


FIG. 15

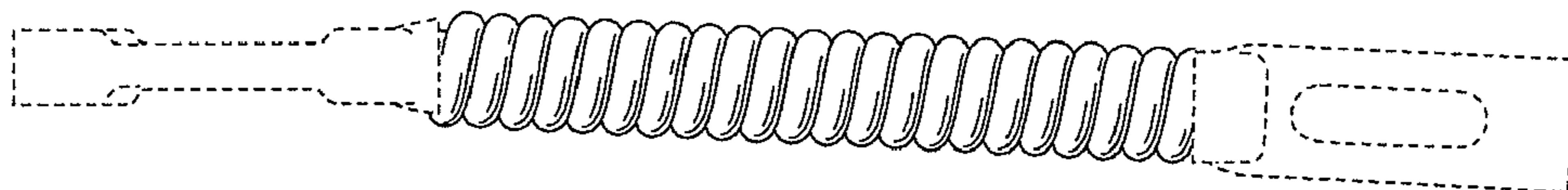


FIG. 16

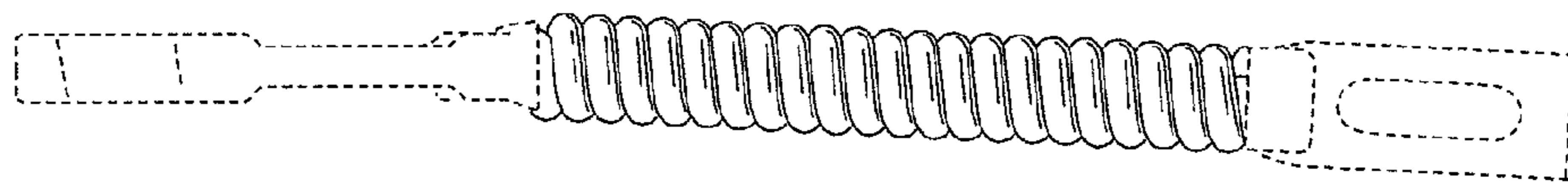


FIG. 17

UNITED STATES PATENT AND TRADEMARK OFFICE
CERTIFICATE OF CORRECTION

PATENT NO. : D647,951 S
APPLICATION NO. : 29/360087
DATED : November 1, 2011
INVENTOR(S) : Fuchs

Page 1 of 1

It is certified that error appears in the above-identified patent and that said Letters Patent is hereby corrected as shown below:

Title page.

Item (73) Assignee: “(AU)” should read --(AT)--.

Signed and Sealed this
First Day of May, 2012

A handwritten signature in black ink that reads "David J. Kappos". The signature is written in a cursive style with a large initial 'D' and 'K'.

David J. Kappos
Director of the United States Patent and Trademark Office