



US00D647946S

(12) **United States Design Patent**  
**Raken et al.**

(10) **Patent No.:** **US D647,946 S**  
(45) **Date of Patent:** **\*\* Nov. 1, 2011**

(54) **SUPPORT FOR AN ELECTRONIC CAMERA**

(75) Inventors: **Jan Raken**, Seattle, WA (US);  
**Katherine Bailey**, Seattle, WA (US)

(73) Assignee: **Microsoft Corporation**, Redmond, WA (US)

(\*\*) Term: **14 Years**

(21) Appl. No.: **29/356,857**

(22) Filed: **Mar. 3, 2010**

(51) **LOC (9) Cl.** ..... **16-05**

(52) **U.S. Cl.** ..... **D16/242**

(58) **Field of Classification Search** ..... D8/395,  
D8/396; D16/208, 219, 237, 424, 245; 348/373,  
348/375; 396/419, 420, 422

See application file for complete search history.

(56) **References Cited**

**U.S. PATENT DOCUMENTS**

7,066,664	B1 *	6/2006	Sitoh et al. ....	396/428
D557,310	S	12/2007	Fisher et al.	
D557,320	S	12/2007	Fisher et al.	
D557,321	S	12/2007	Fisher et al.	
D567,278	S	4/2008	Kim	
D569,888	S	5/2008	Kim	
D576,654	S	9/2008	Kim et al.	
D581,441	S	11/2008	Kim	
D581,960	S	12/2008	Kim et al.	
D592,233	S	5/2009	Kim et al.	
D592,234	S	5/2009	Kim et al.	
D595,328	S	6/2009	Kim et al.	
D600,732	S	9/2009	Kim	
D600,733	S	9/2009	Kim	
D606,106	S	12/2009	Kim et al.	
2008/0159733	A1 *	7/2008	Liang .....	396/428

**OTHER PUBLICATIONS**

U.S. Appl. No. 29/317,456, filed Apr. 30, 2008.

U.S. Appl. No. 29/342,094, filed Aug. 18, 2009.  
U.S. Appl. No. 29/346,969, filed Nov. 9, 2009.  
U.S. Appl. No. 29/346,970, filed Nov. 9, 2009.  
U.S. Appl. No. 29/346,971, filed Nov. 9, 2009.

\* cited by examiner

*Primary Examiner* — Nanda Bondade

(74) *Attorney, Agent, or Firm* — Banner & Witcoff, Ltd.

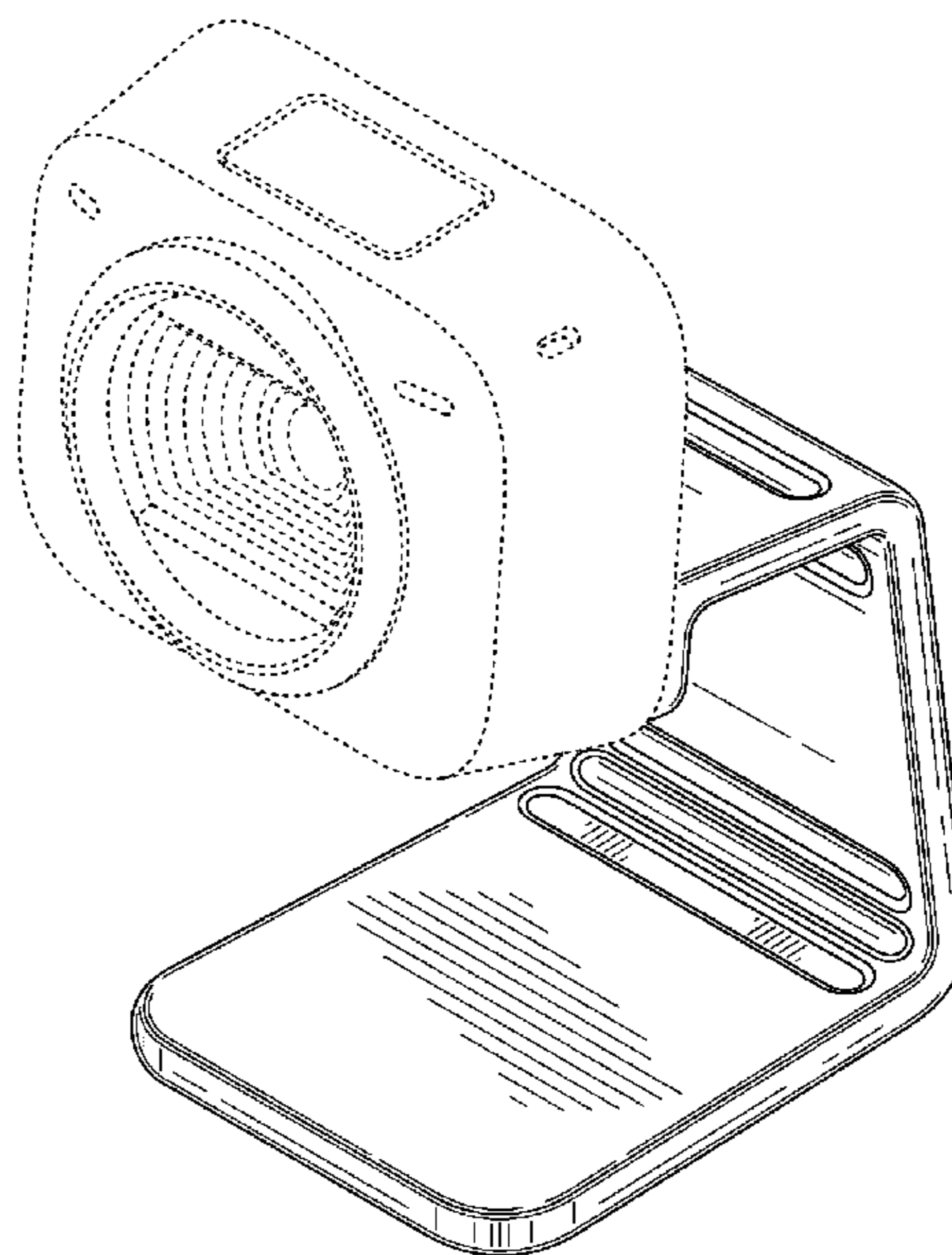
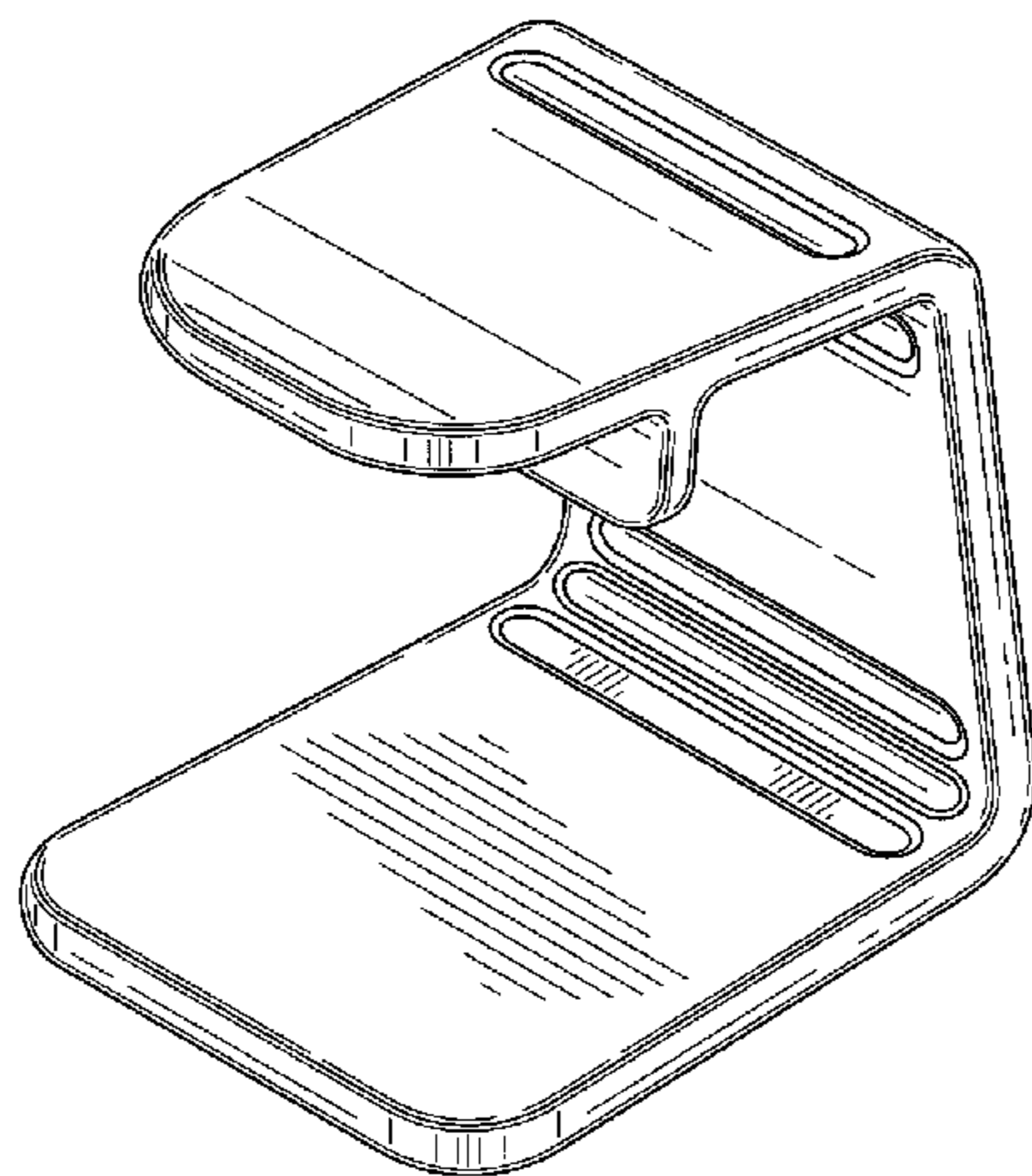
(57) **CLAIM**

The ornamental design for a support for an electronic camera, as shown and described.

**DESCRIPTION**

FIG. 1 is a front perspective view of a support for an electronic camera showing our new design; FIG. 2 is a front view thereof; FIG. 3 is a rear view thereof; FIG. 4 is a right side view thereof; FIG. 5 is a left side view thereof; FIG. 6 is a top view thereof; FIG. 7 is a bottom view thereof; FIG. 8 is a front perspective view of the support for an electronic camera of FIGS. 1-7 shown with an illustrative, disclaimed camera in broken lines; FIG. 9 is a front view thereof; FIG. 10 is a rear view thereof; FIG. 11 is a right side view thereof; FIG. 12 is a left side view thereof; FIG. 13 is a top view thereof; and, FIG. 14 is a bottom view thereof. The broken line showing of an electronic camera in FIGS. 8-14 is for environmental purposes only and forms no part of the claimed design.

**1 Claim, 11 Drawing Sheets**



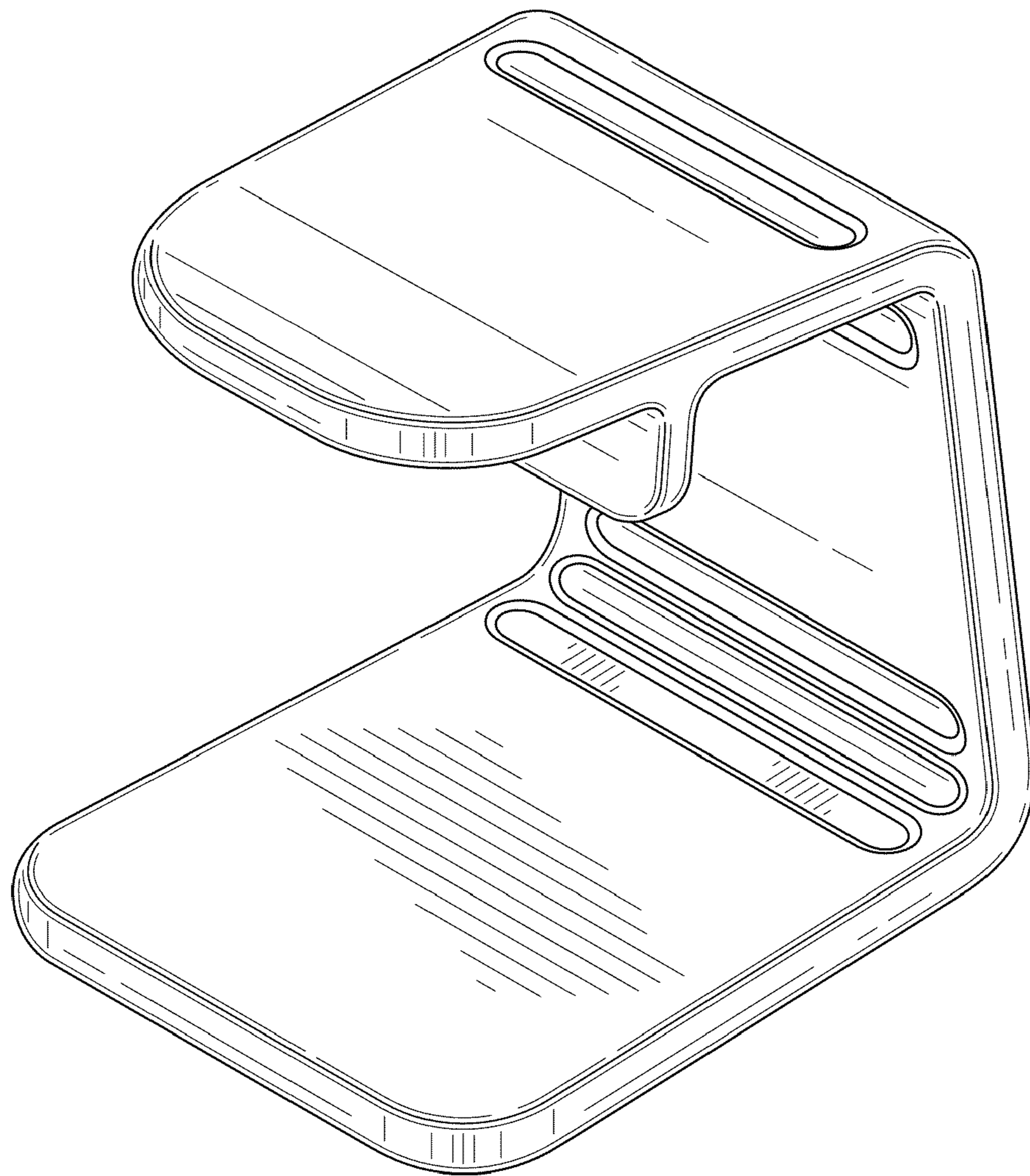


FIG. 1

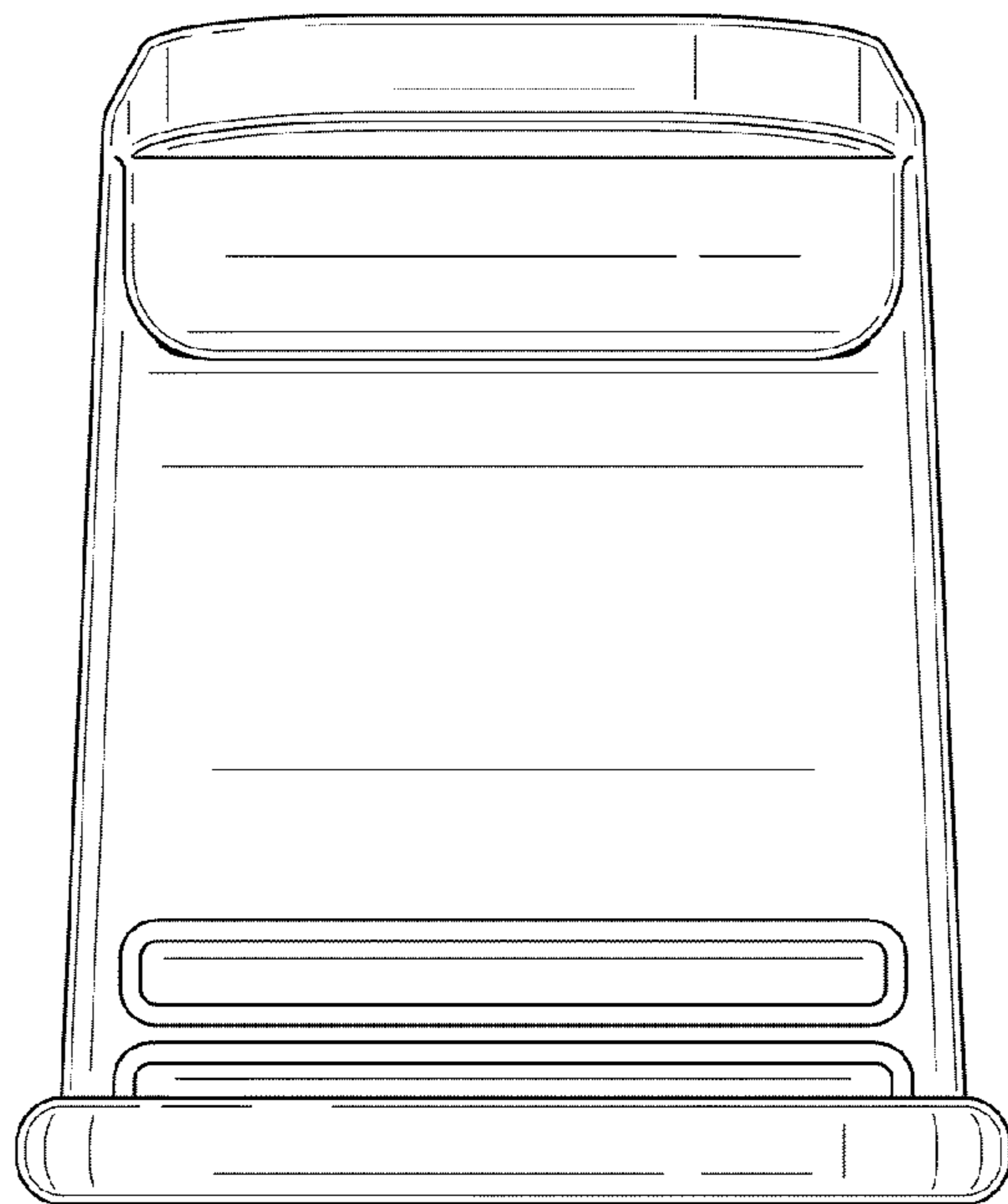


FIG. 2

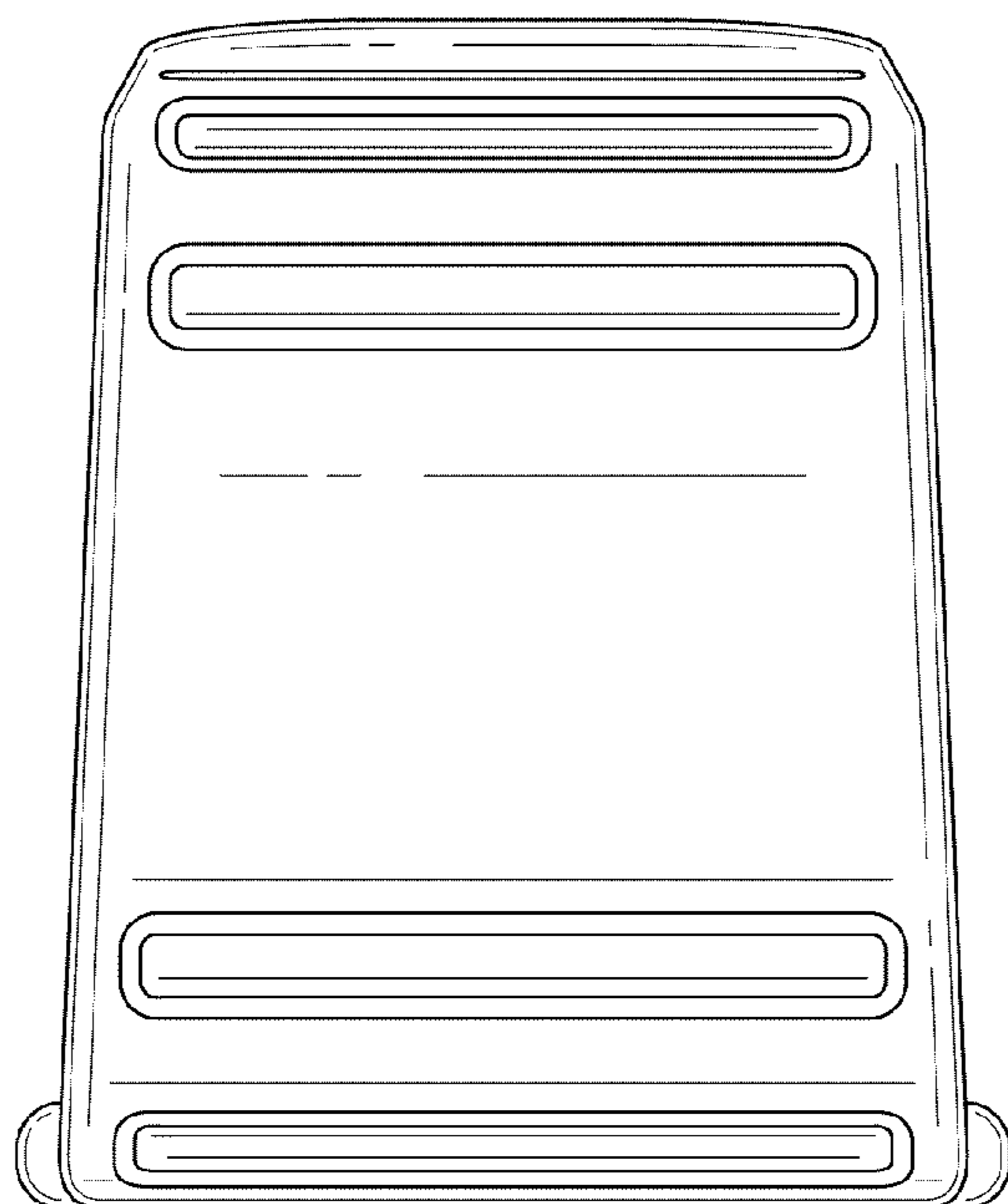


FIG. 3

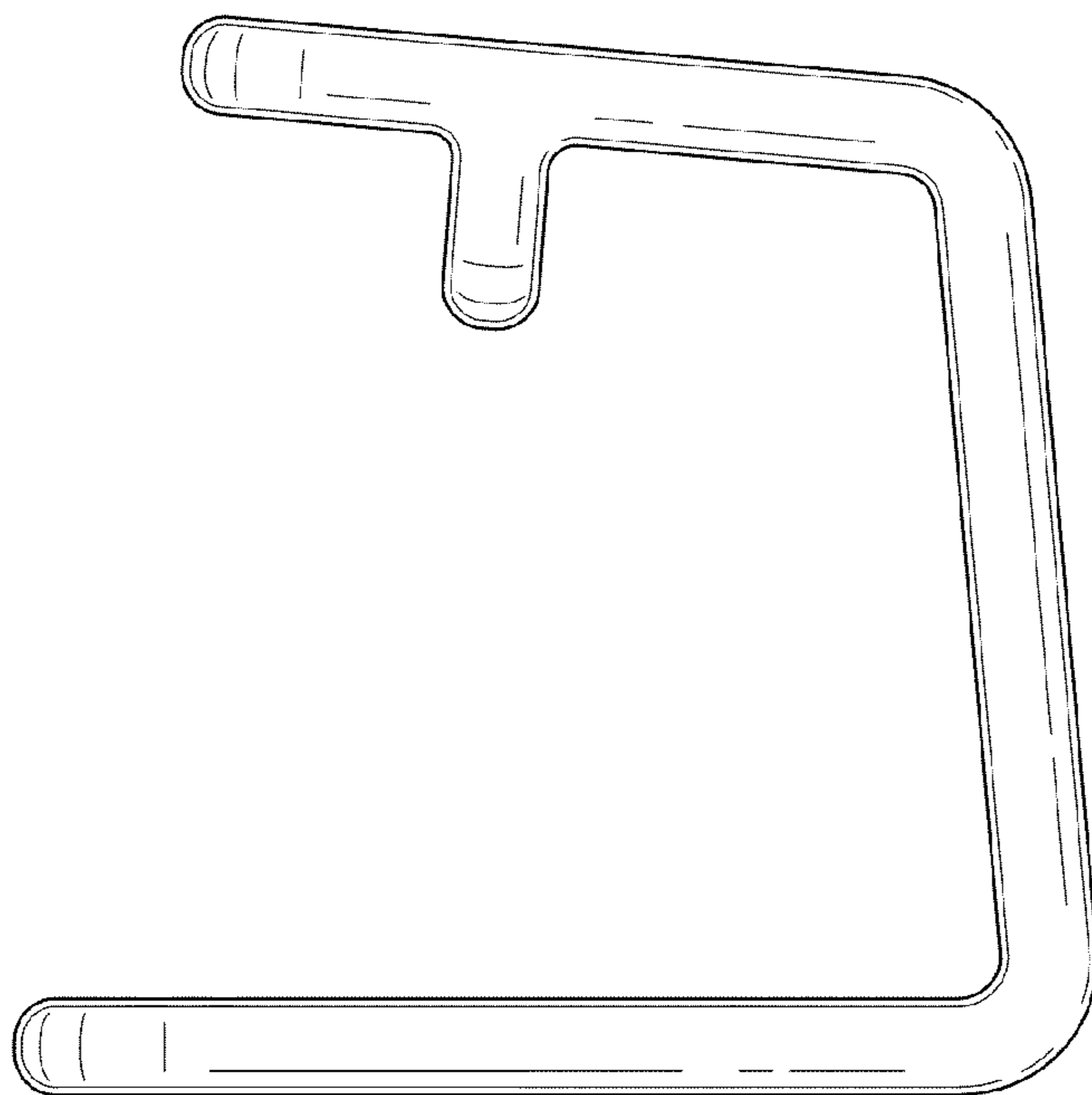


FIG. 4

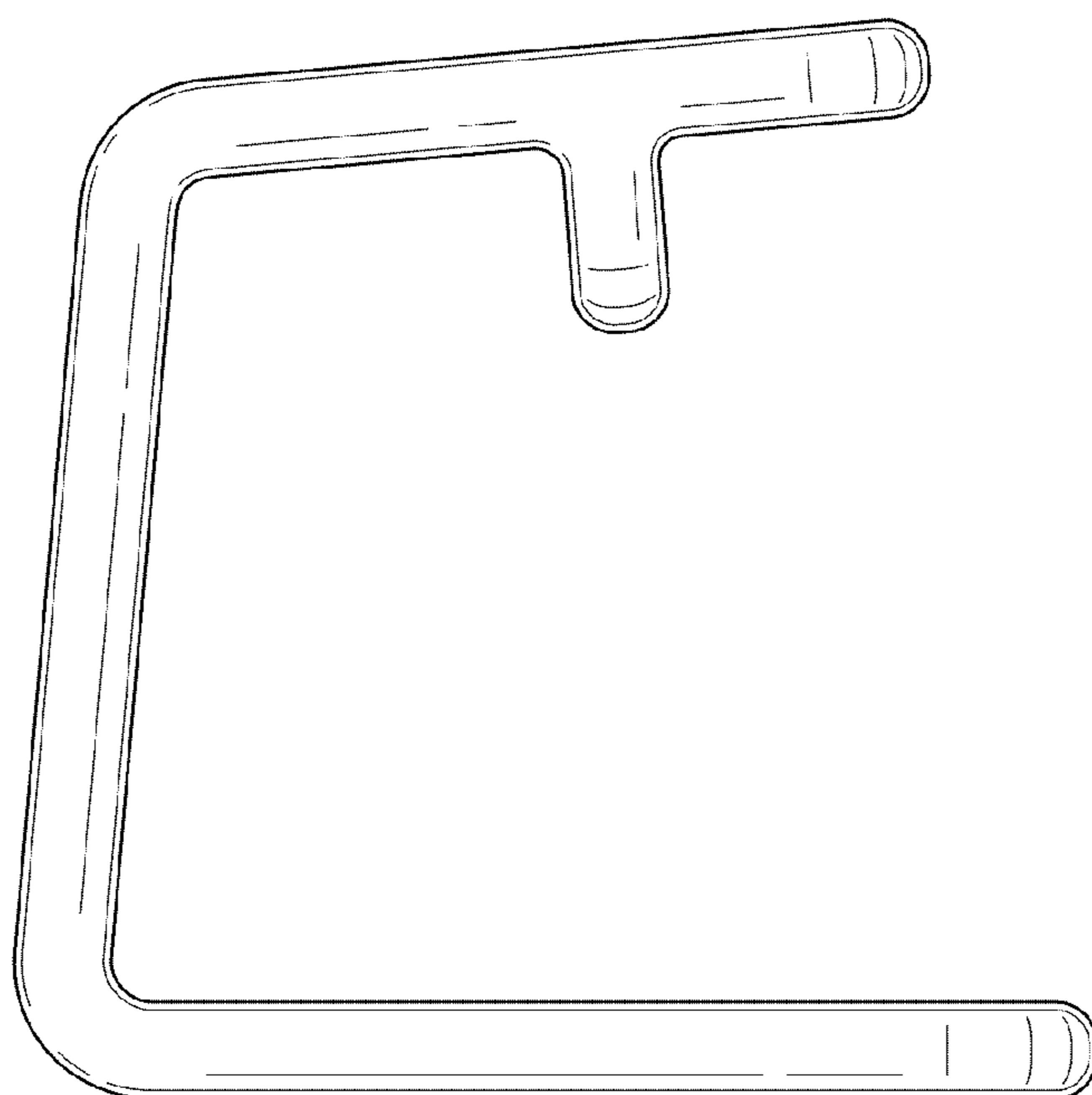


FIG. 5

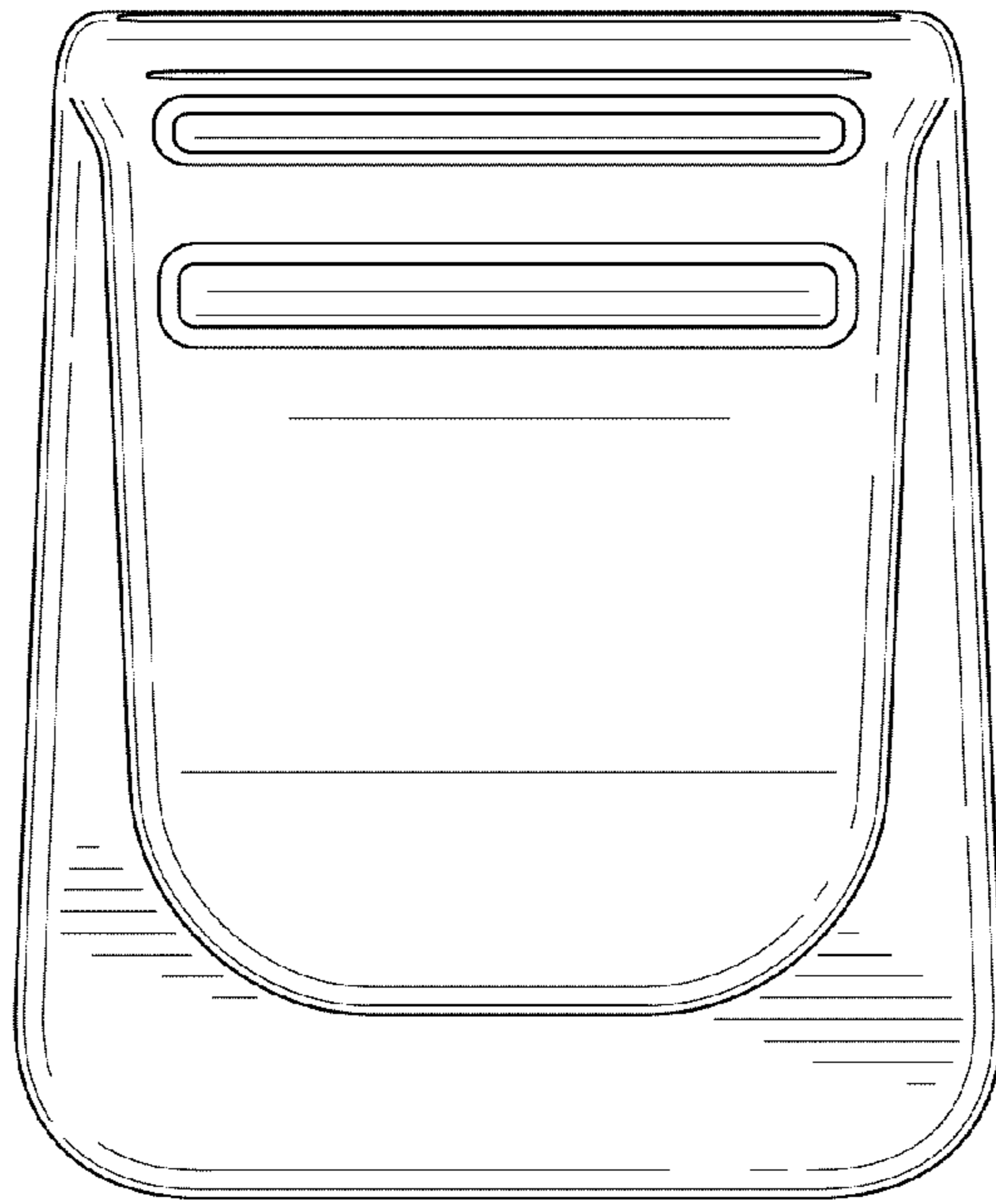


FIG. 6

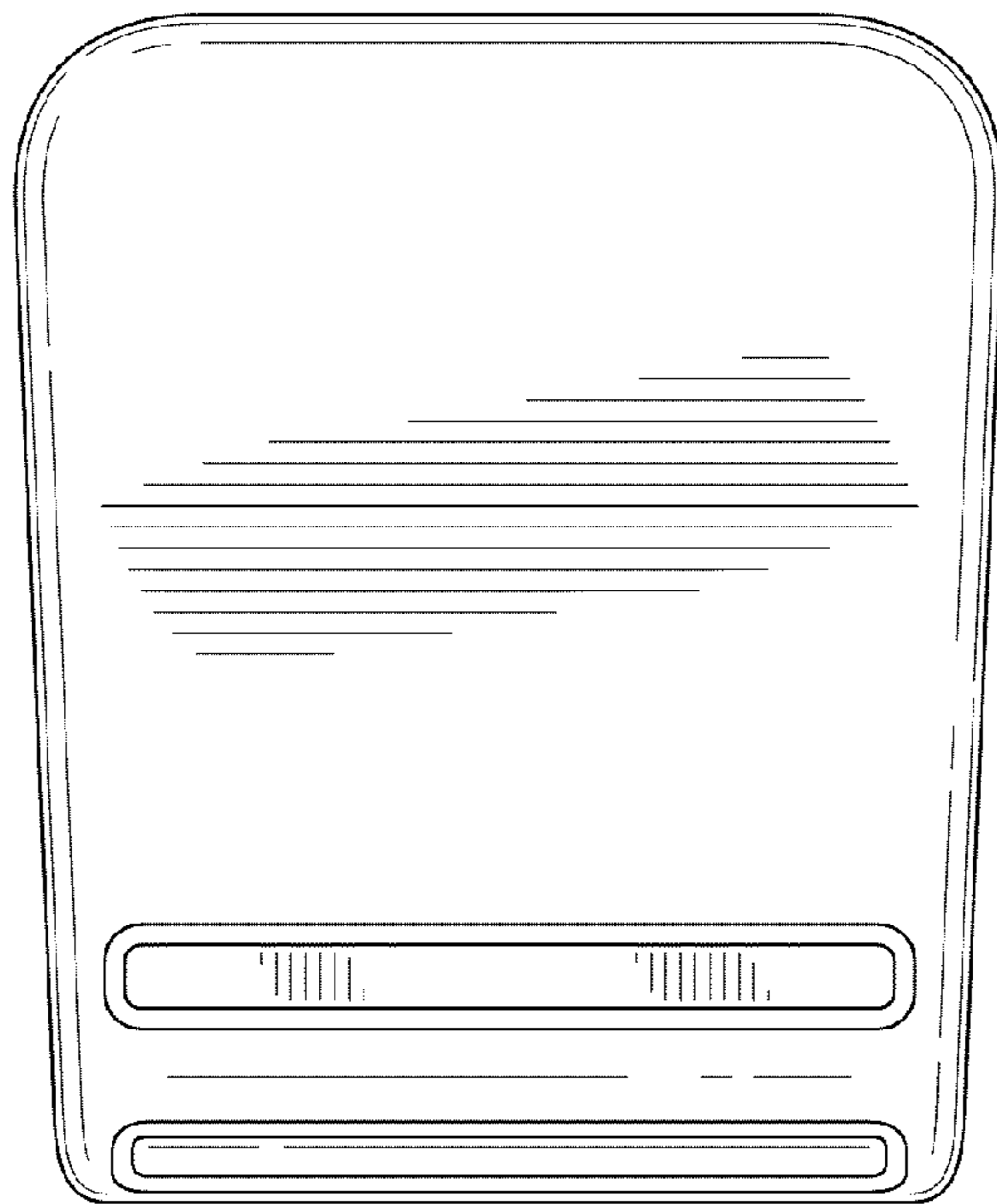


FIG. 7

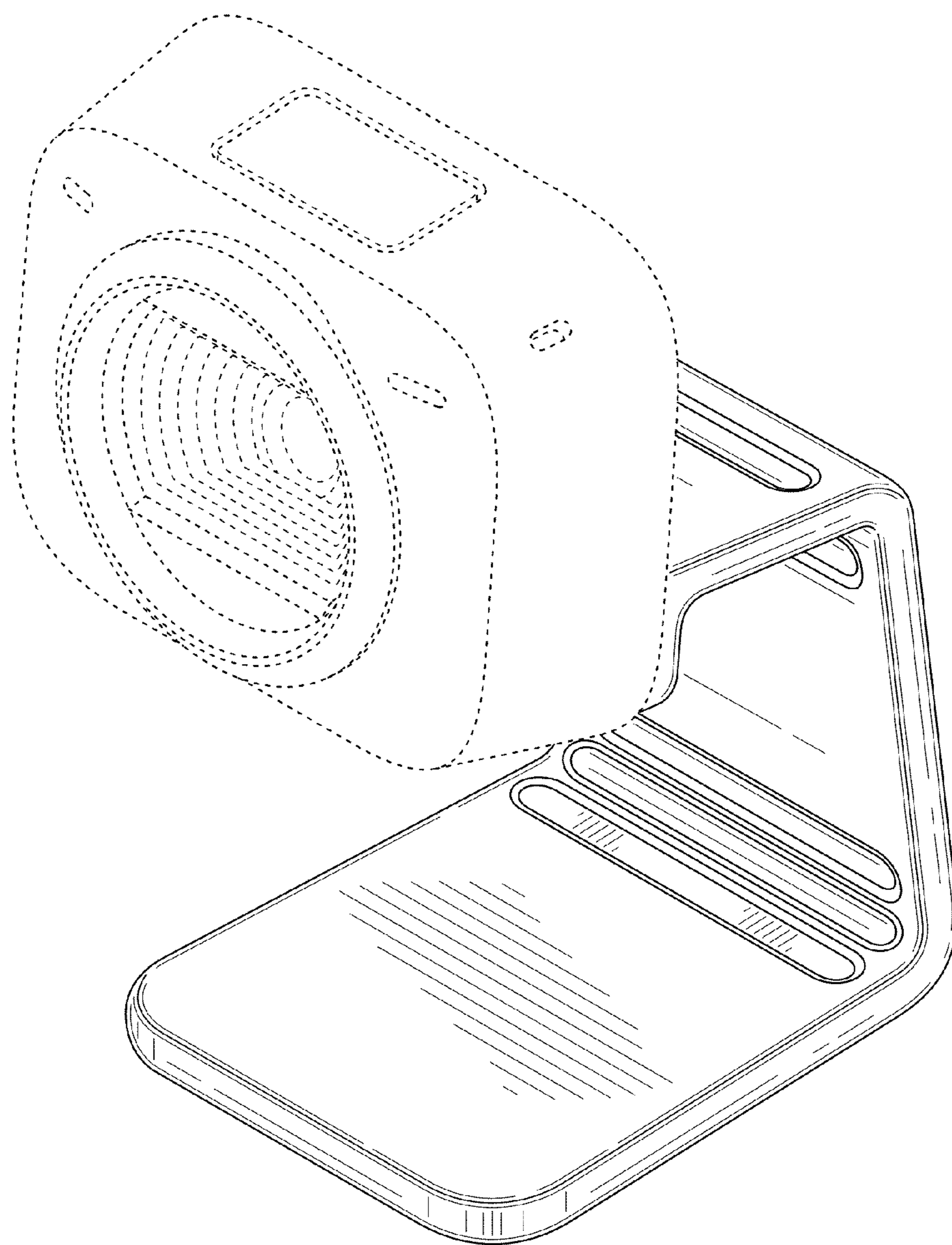


FIG. 8

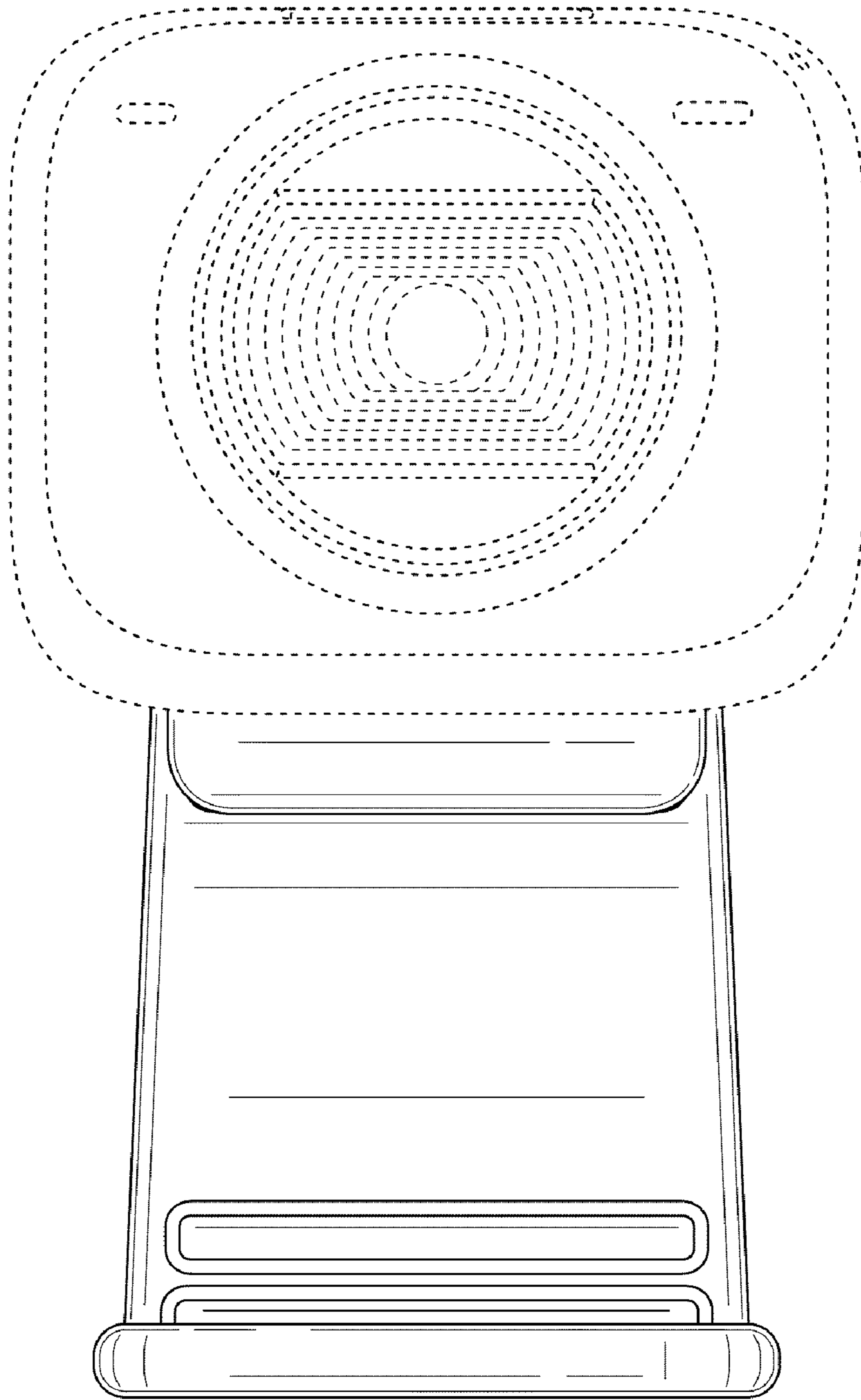


FIG. 9

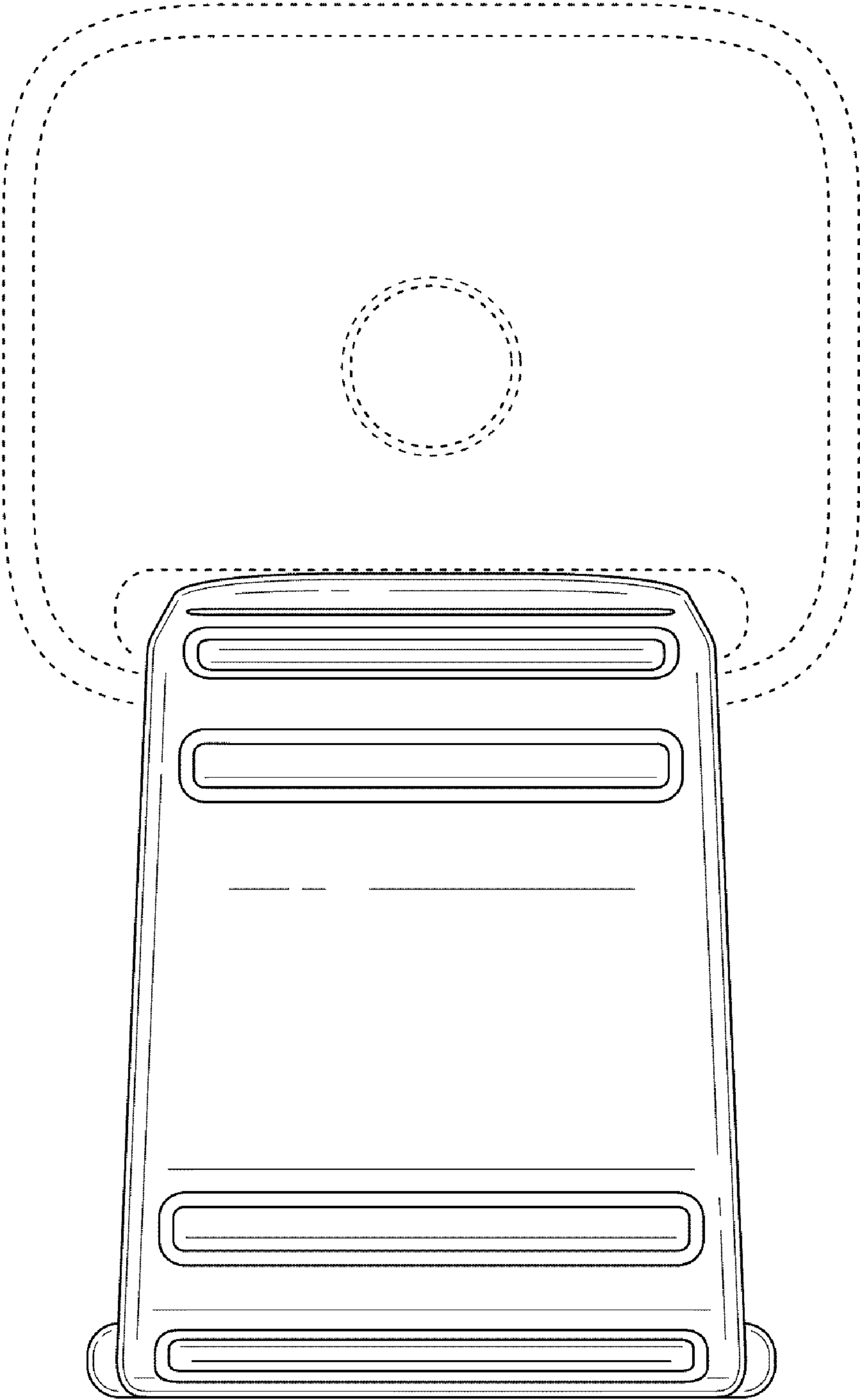


FIG. 10



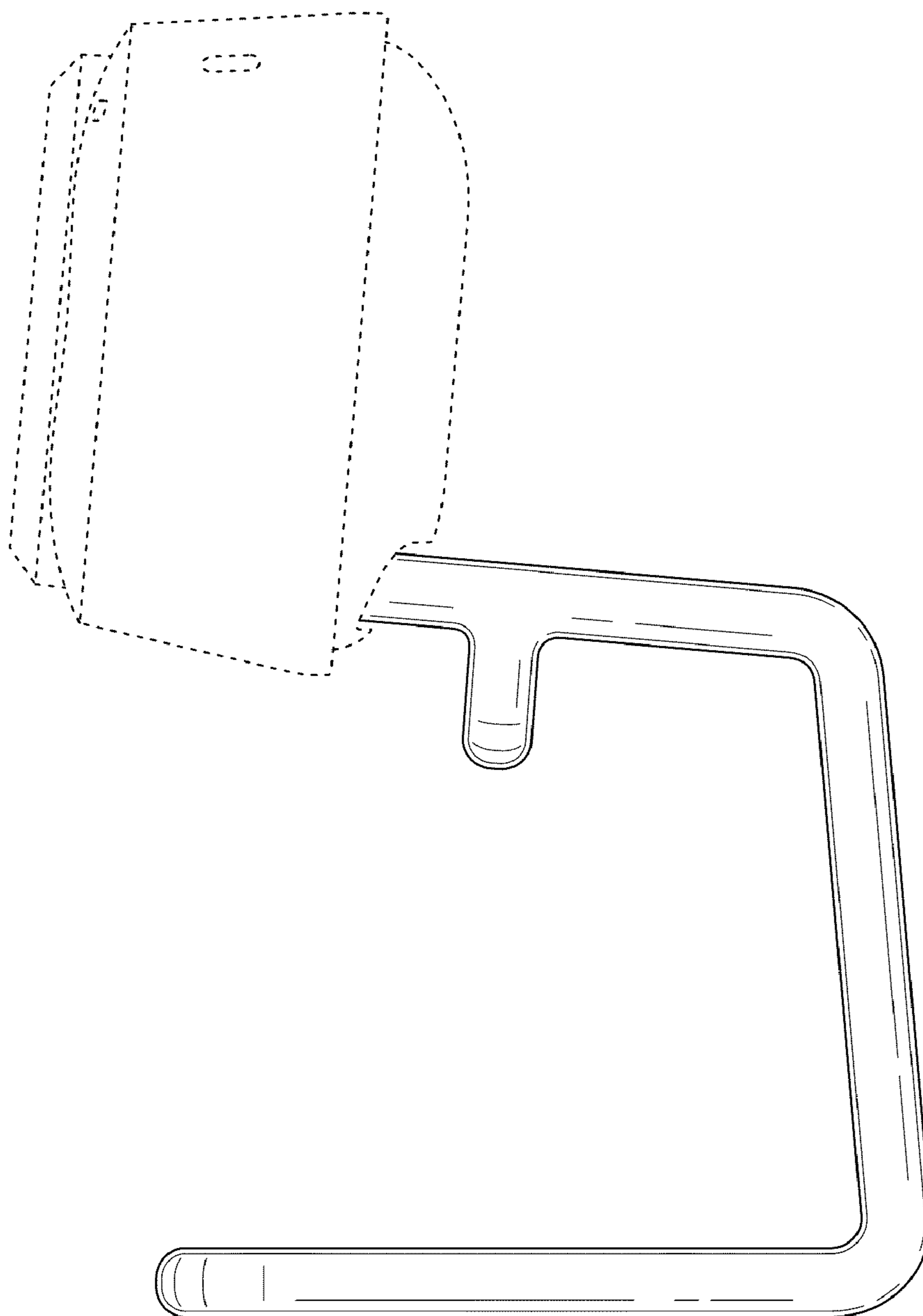


FIG. 11

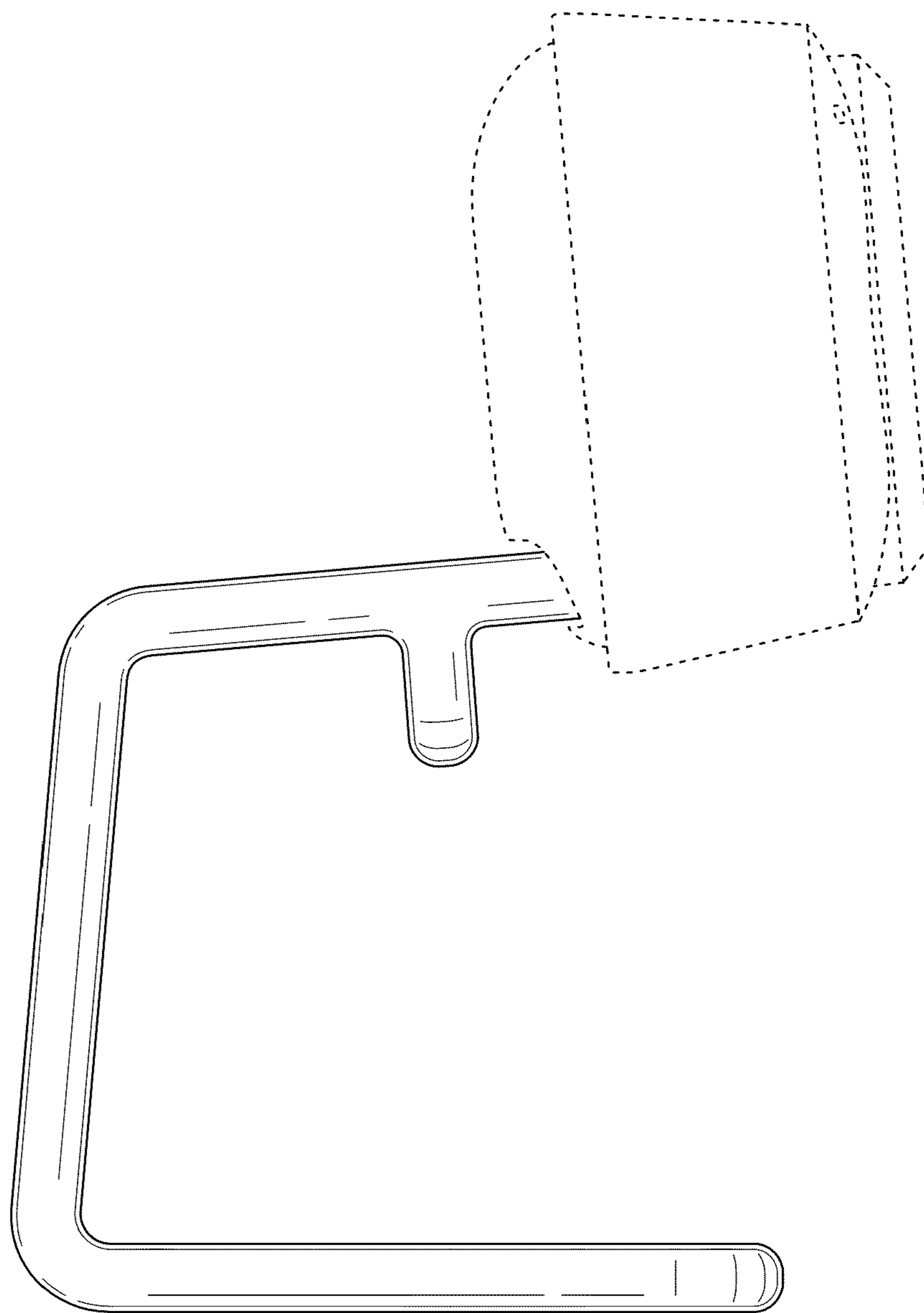


FIG. 12

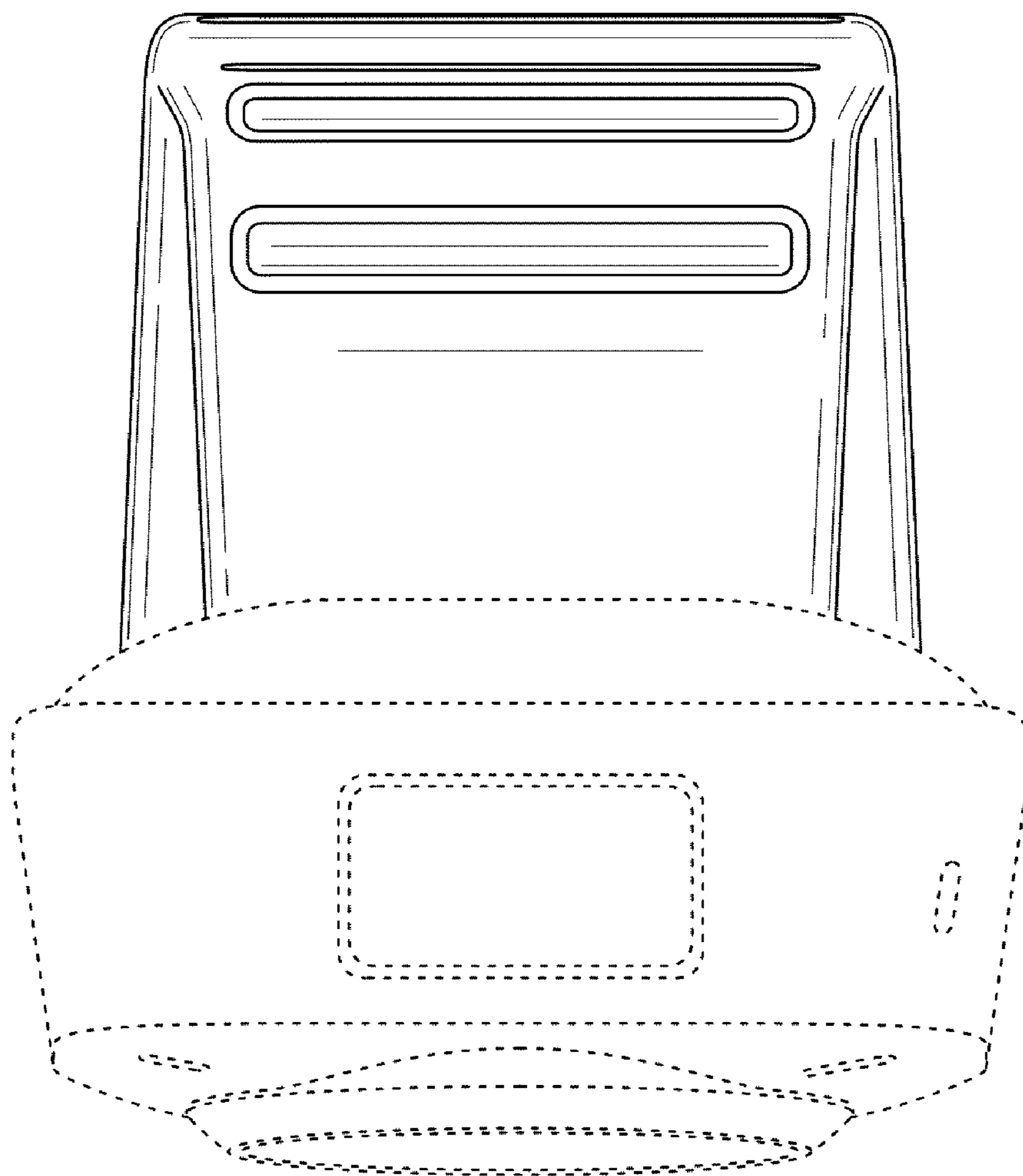


FIG. 13

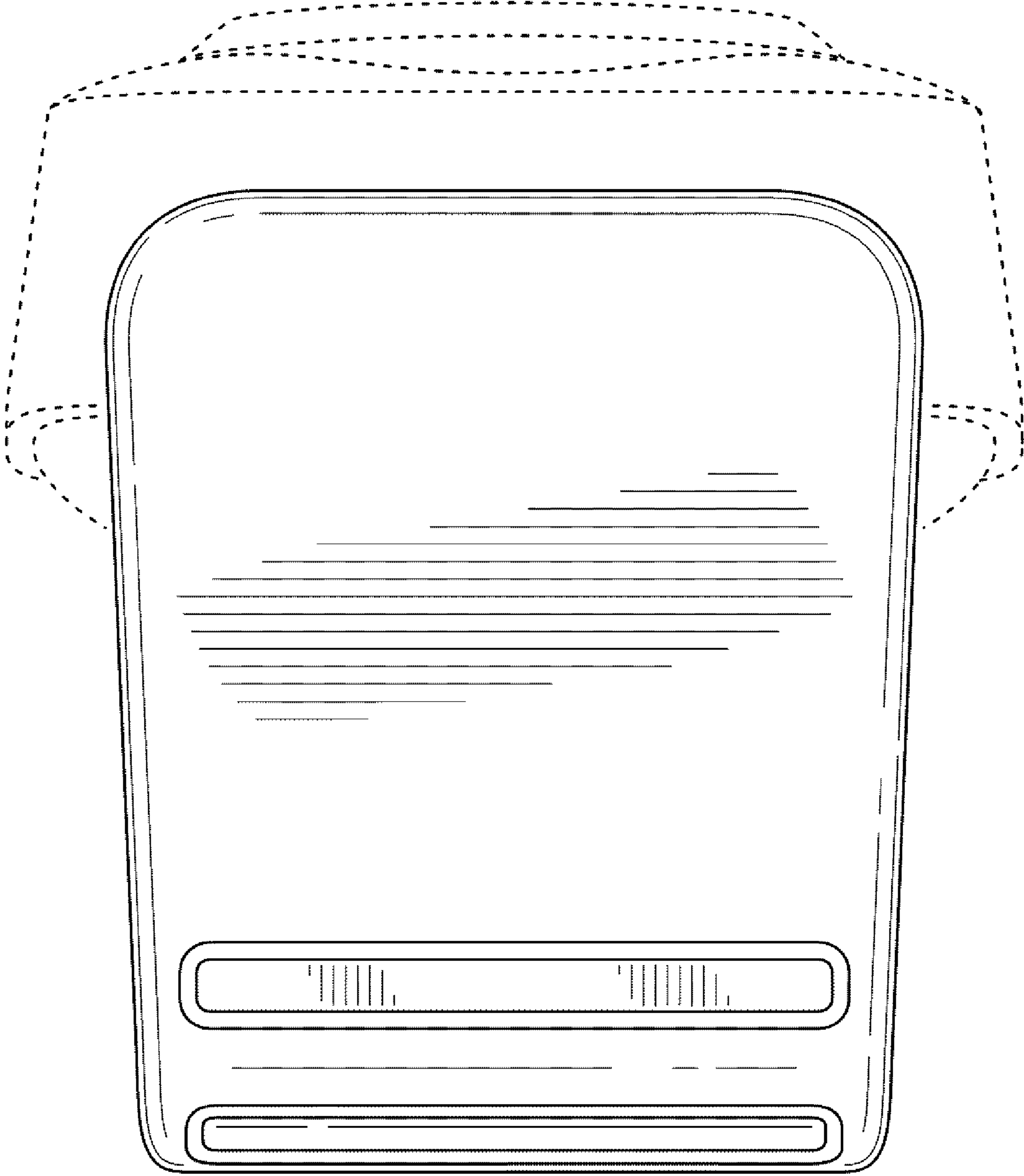


FIG. 14