



US00D647945S

(12) **United States Design Patent**  
**Jannard et al.**

(10) **Patent No.:** **US D647,945 S**

(45) **Date of Patent:** **\*\* Nov. 1, 2011**

(54) **CAMERA COMPONENT**

(75) Inventors: **James H. Jannard**, Las Vegas, NV (US); **Matthew Gene Tremblay**, Laguna Beach, CA (US); **Peter Jarred Land**, Lake Forest, CA (US)

(73) Assignee: **Red.com, Inc.**, Lake Forest, CA (US)

(\*\*) Term: **14 Years**

(21) Appl. No.: **29/348,319**

(22) Filed: **Dec. 18, 2009**

(51) **LOC (9) Cl.** ..... **14-01**

(52) **U.S. Cl.** ..... **D16/237**

(58) **Field of Classification Search** ..... D16/200–205, D16/208, 218, 237–250; 348/143, 151, 373–376; 358/906; 396/247, 427, 535–541

See application file for complete search history.

(56) **References Cited**

**U.S. PATENT DOCUMENTS**

- D298,760 S \* 11/1988 Yoshida et al. .... D16/242
- D357,695 S \* 4/1995 Ott ..... D16/238
- D478,608 S \* 8/2003 Briks et al. .... D16/237

2008/0159732 A1\* 7/2008 Young et al. .... 396/427  
\* cited by examiner

*Primary Examiner* — Nanda Bondade

(74) *Attorney, Agent, or Firm* — Gregory K. Nelson

(57) **CLAIM**

The ornamental design for a camera component, as shown and described.

**DESCRIPTION**

FIG. 1 is a front perspective view of the camera component of the present invention;

FIG. 2 is a rear perspective view thereof;

FIG. 3 is a front elevational view thereof;

FIG. 4 is a rear elevational view thereof;

FIG. 5 is a left-side elevational view thereof;

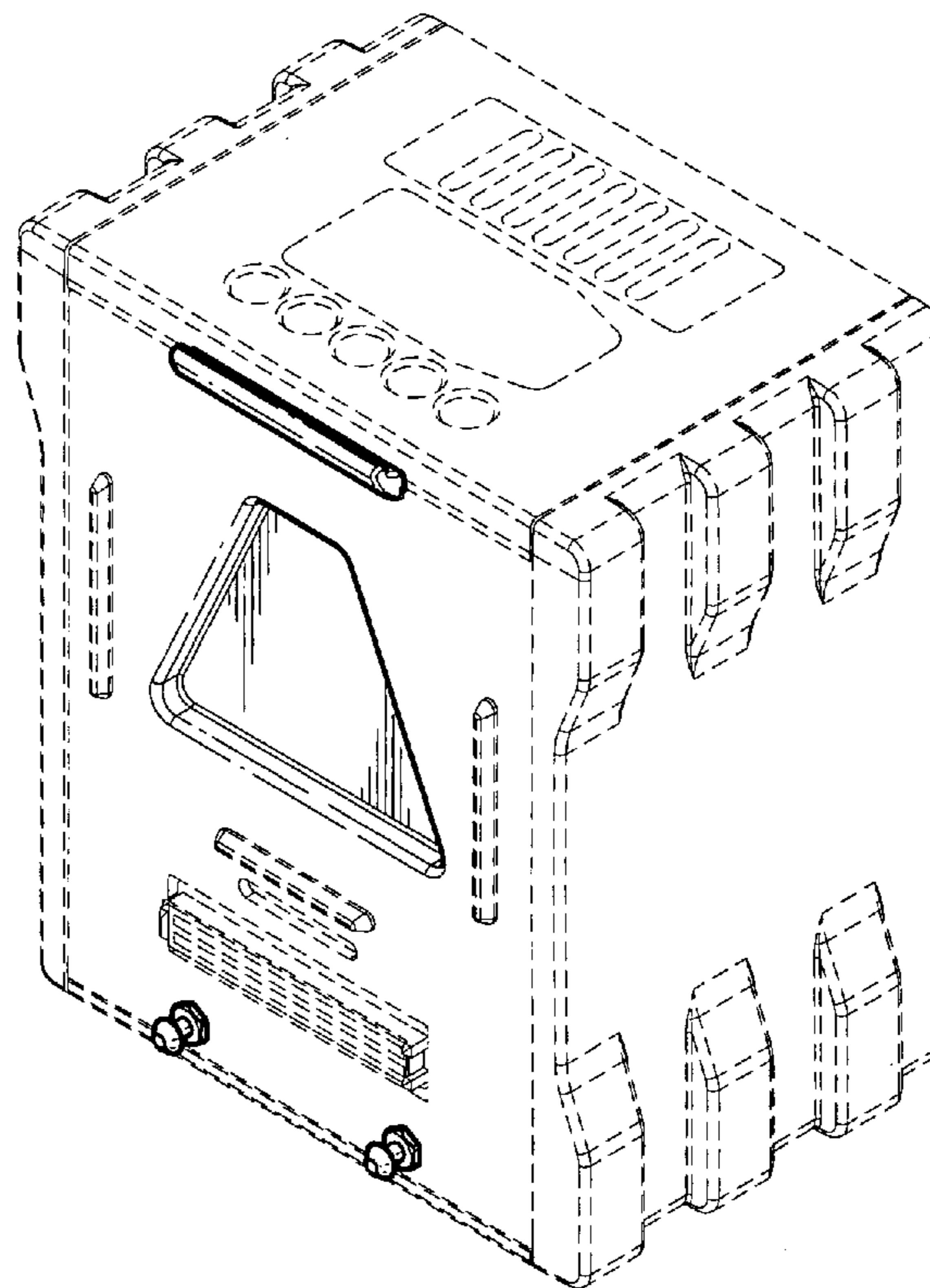
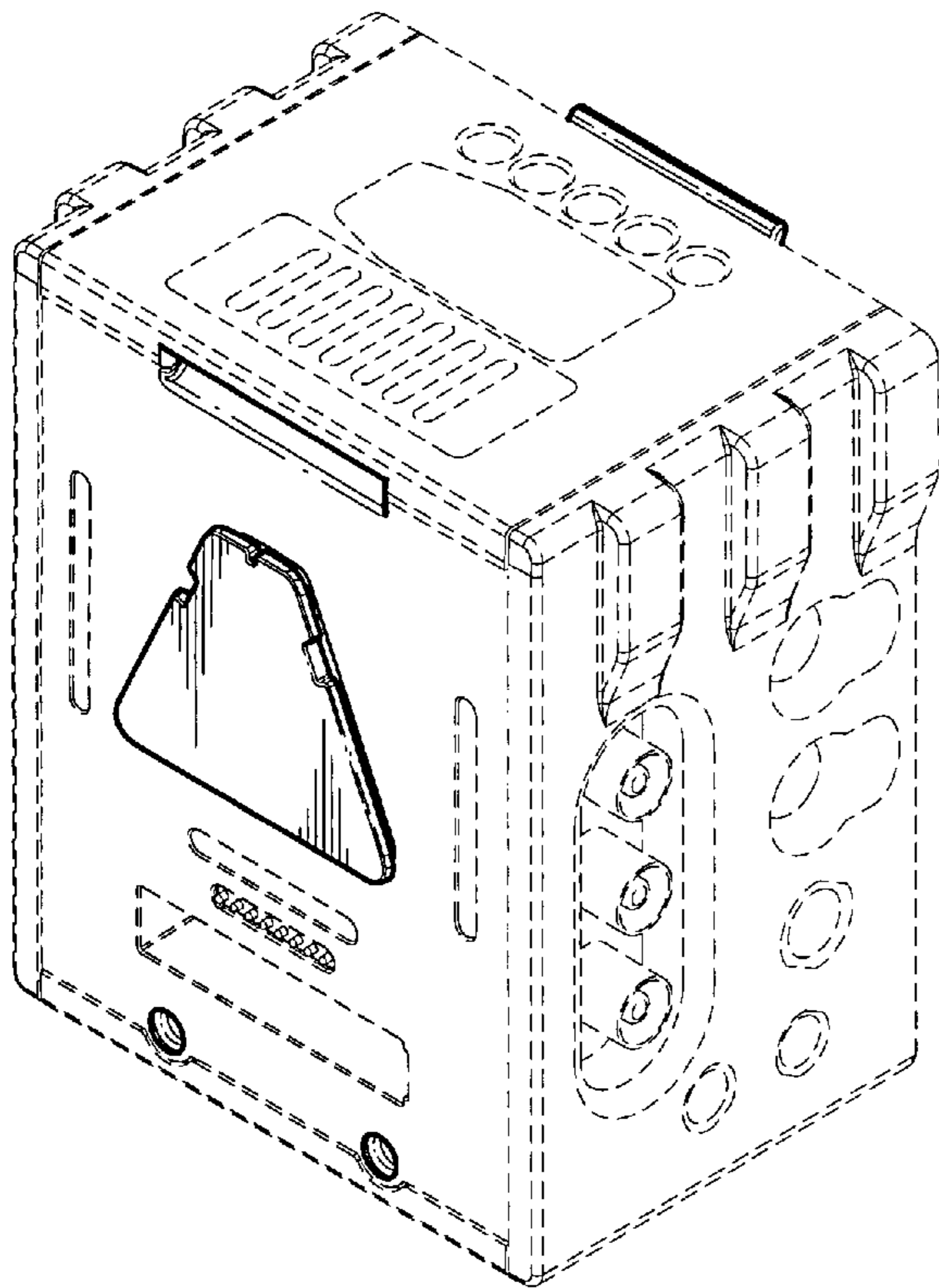
FIG. 6 is a right-side elevational view thereof;

FIG. 7 is a top plan view thereof; and,

FIG. 8 is a bottom plan view thereof.

The broken line showing on the drawing disclosure is for illustrative purposes only and forms no part of the claimed design.

**1 Claim, 4 Drawing Sheets**



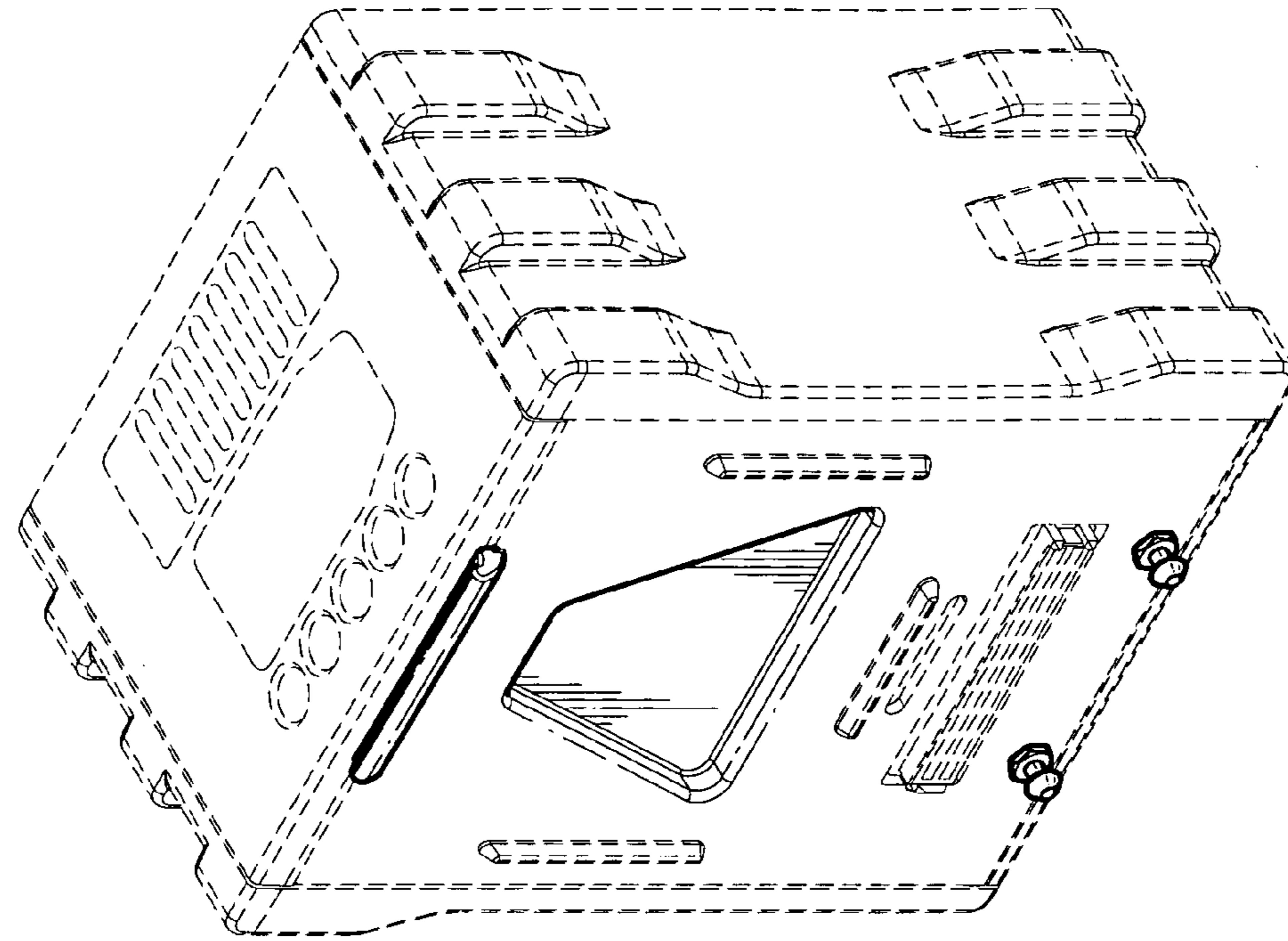


FIG. 2

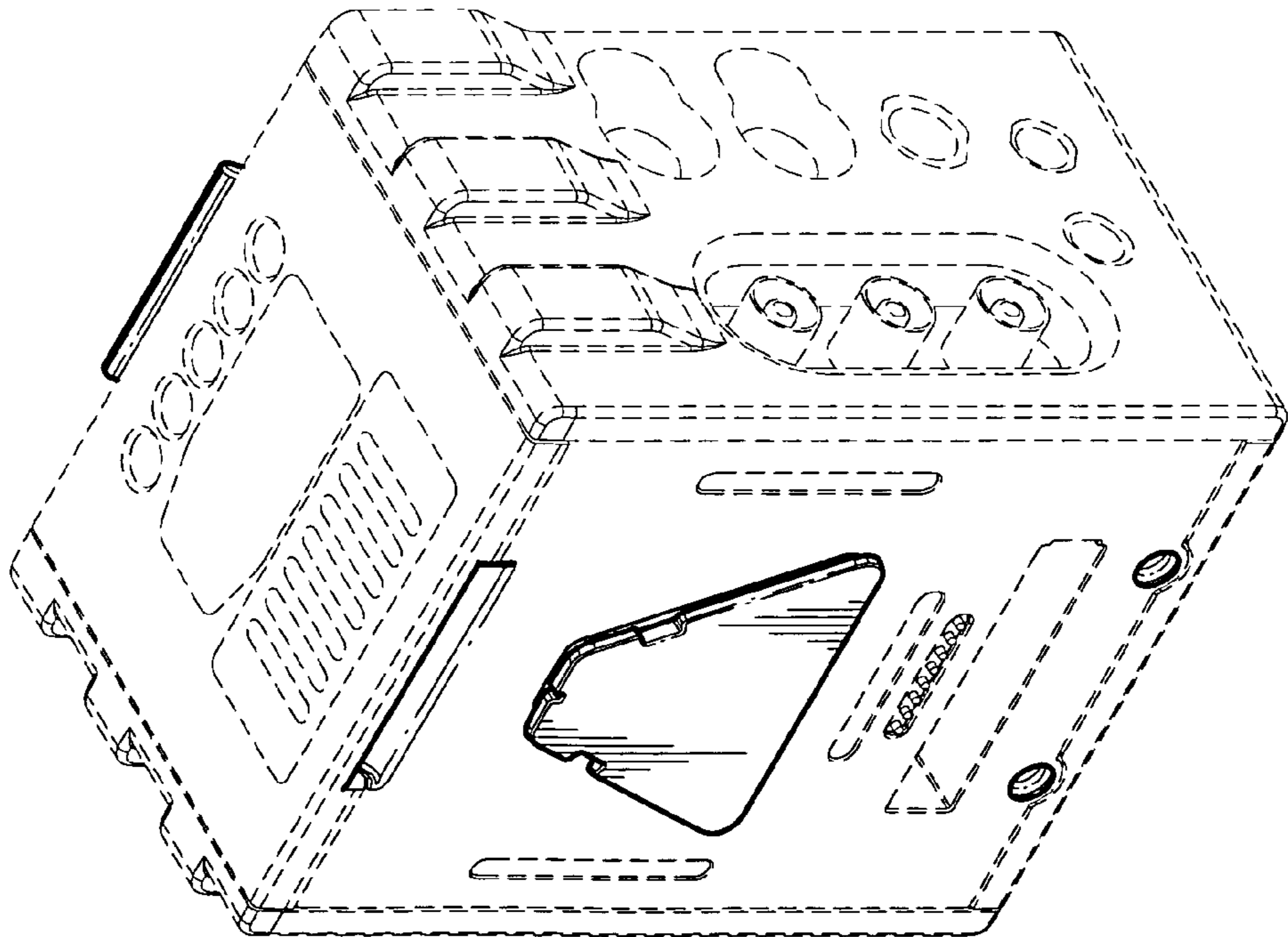


FIG. 1

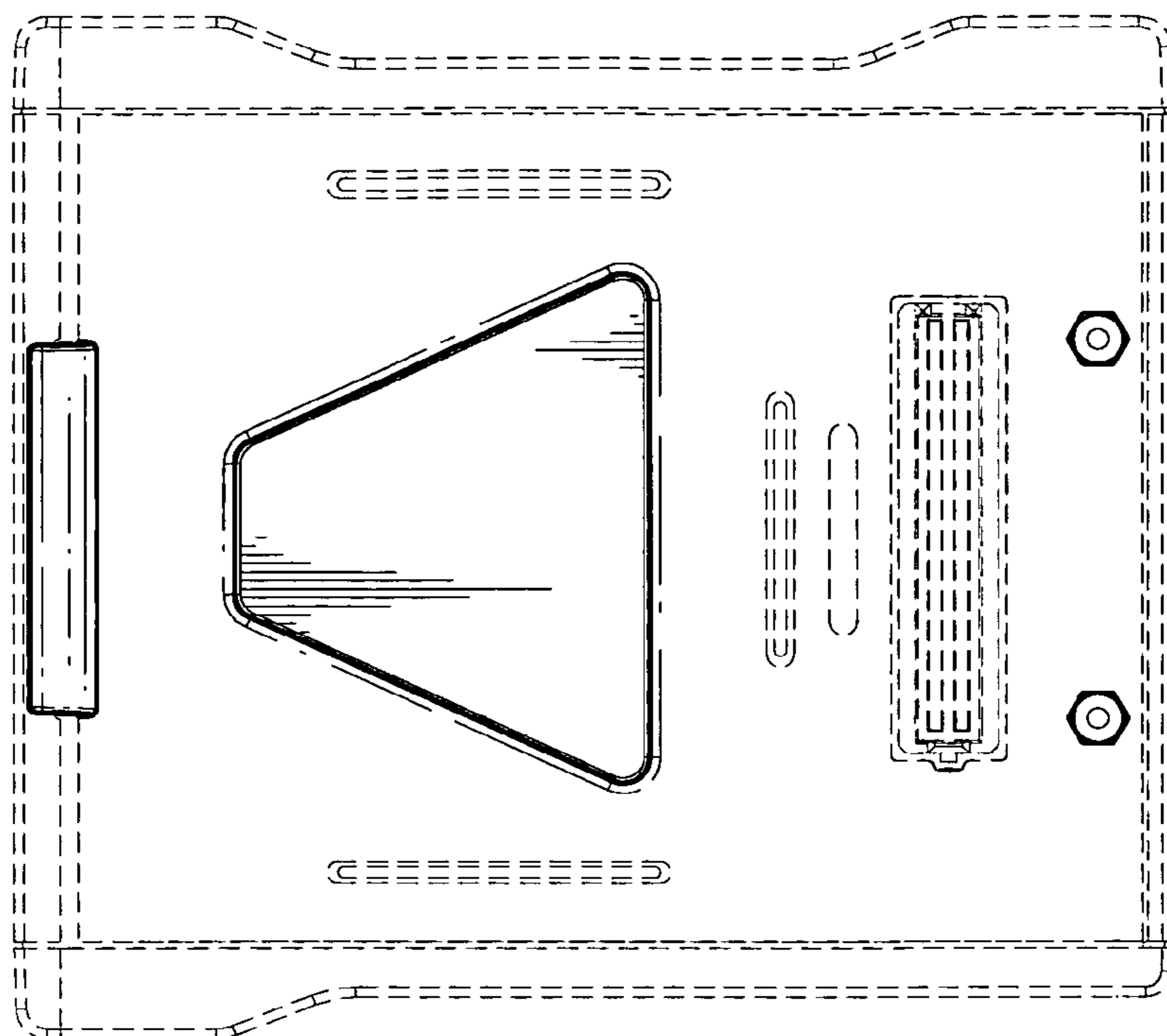


FIG. 4

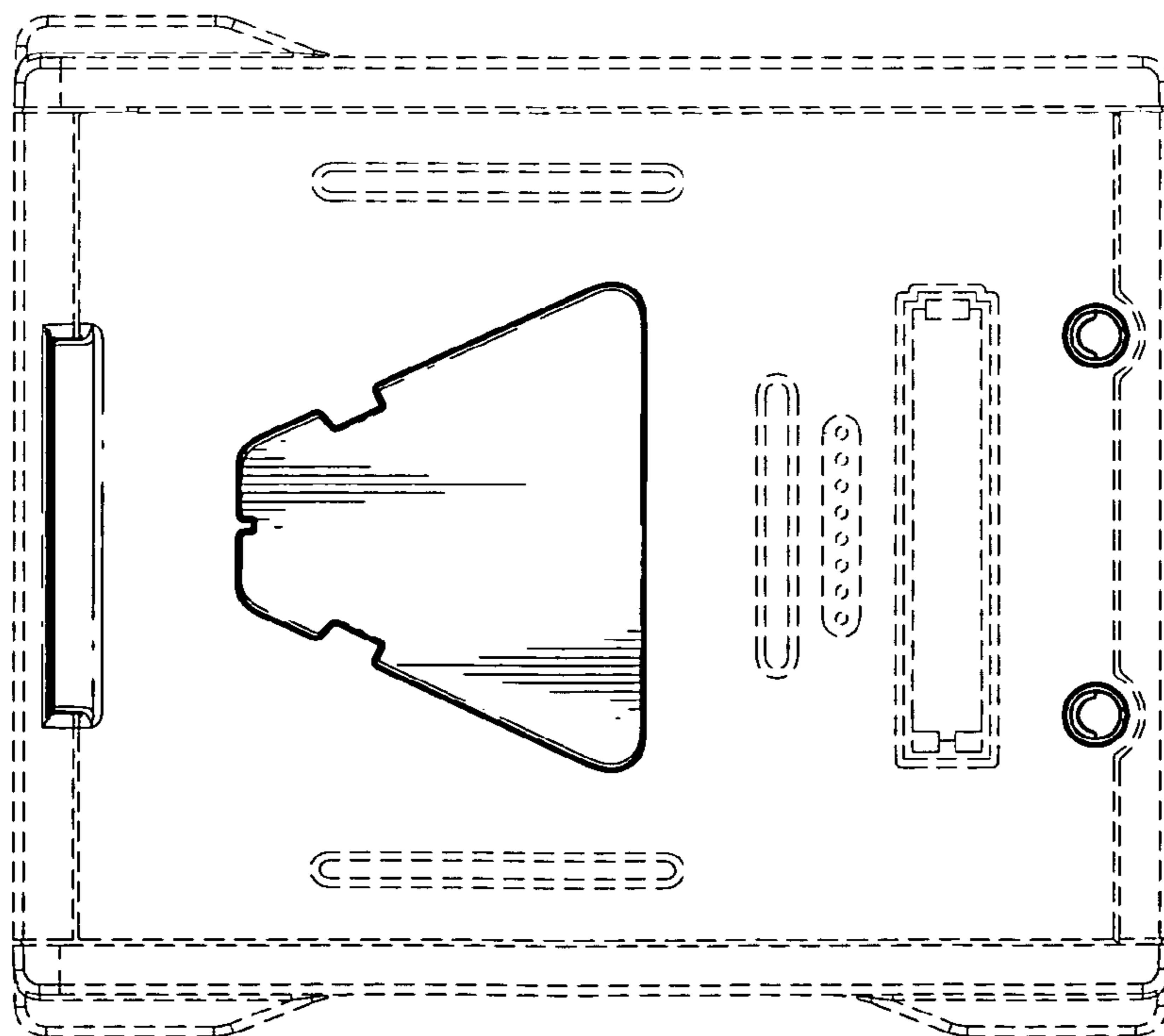


FIG. 3

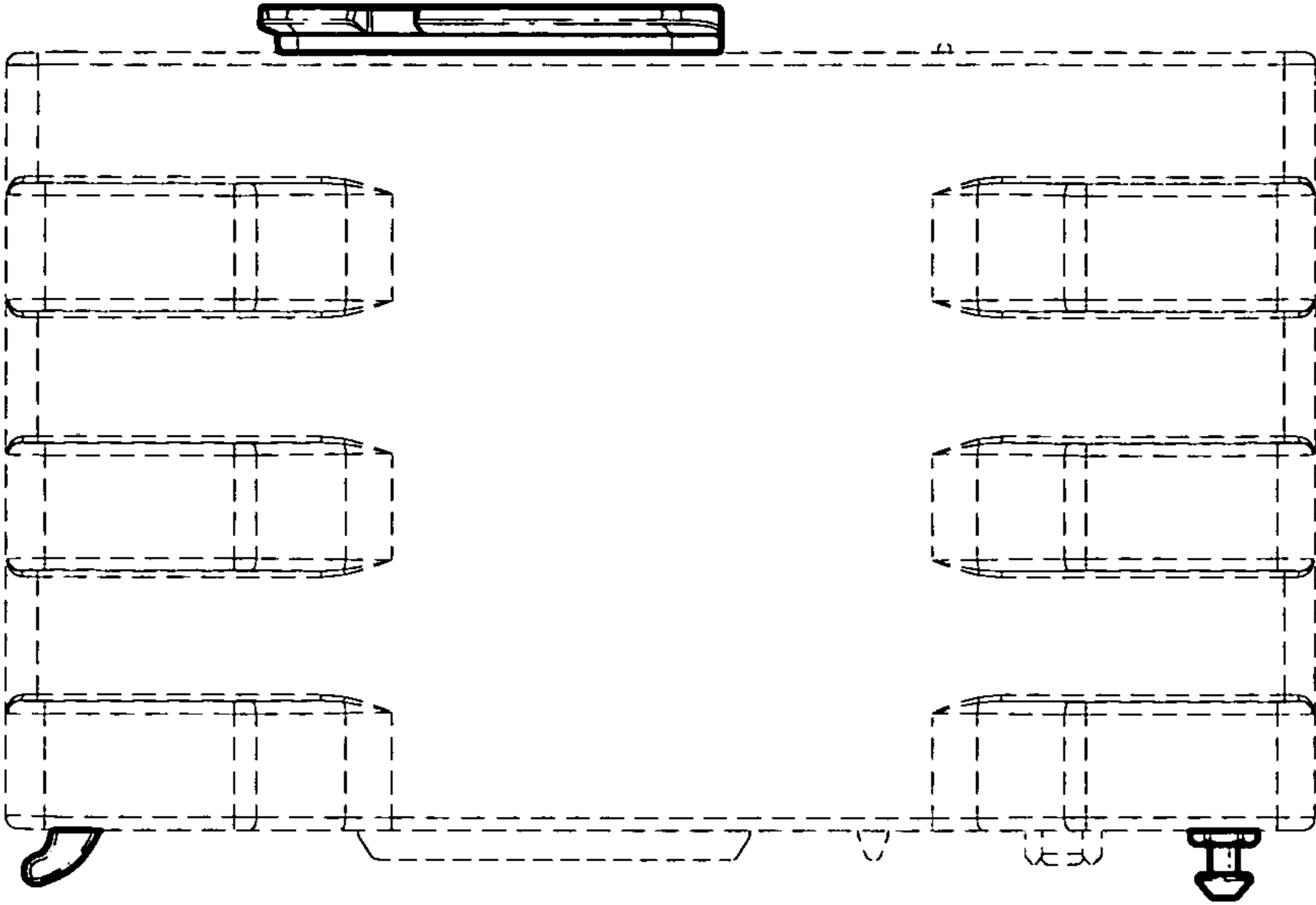


FIG. 5

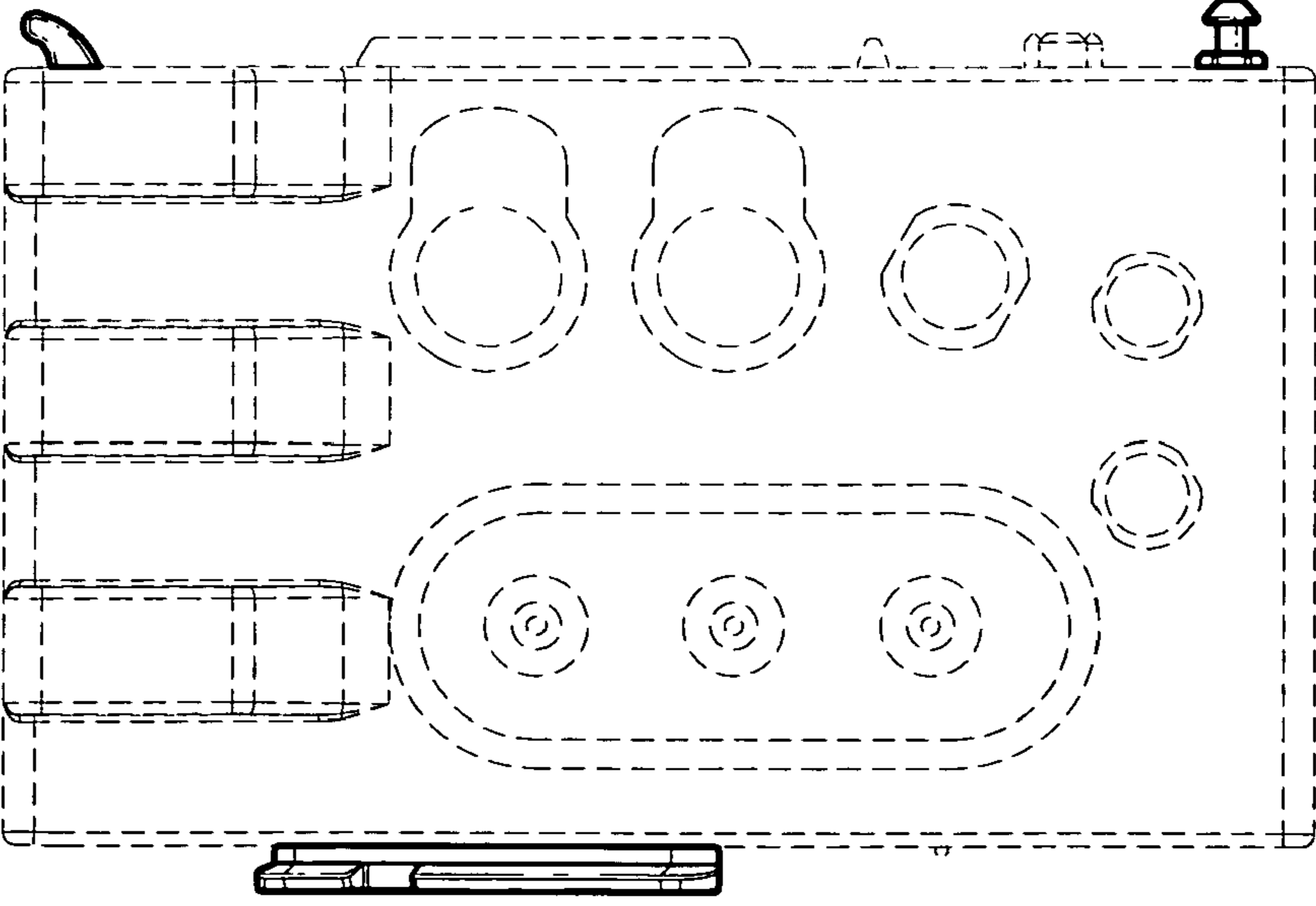


FIG. 6

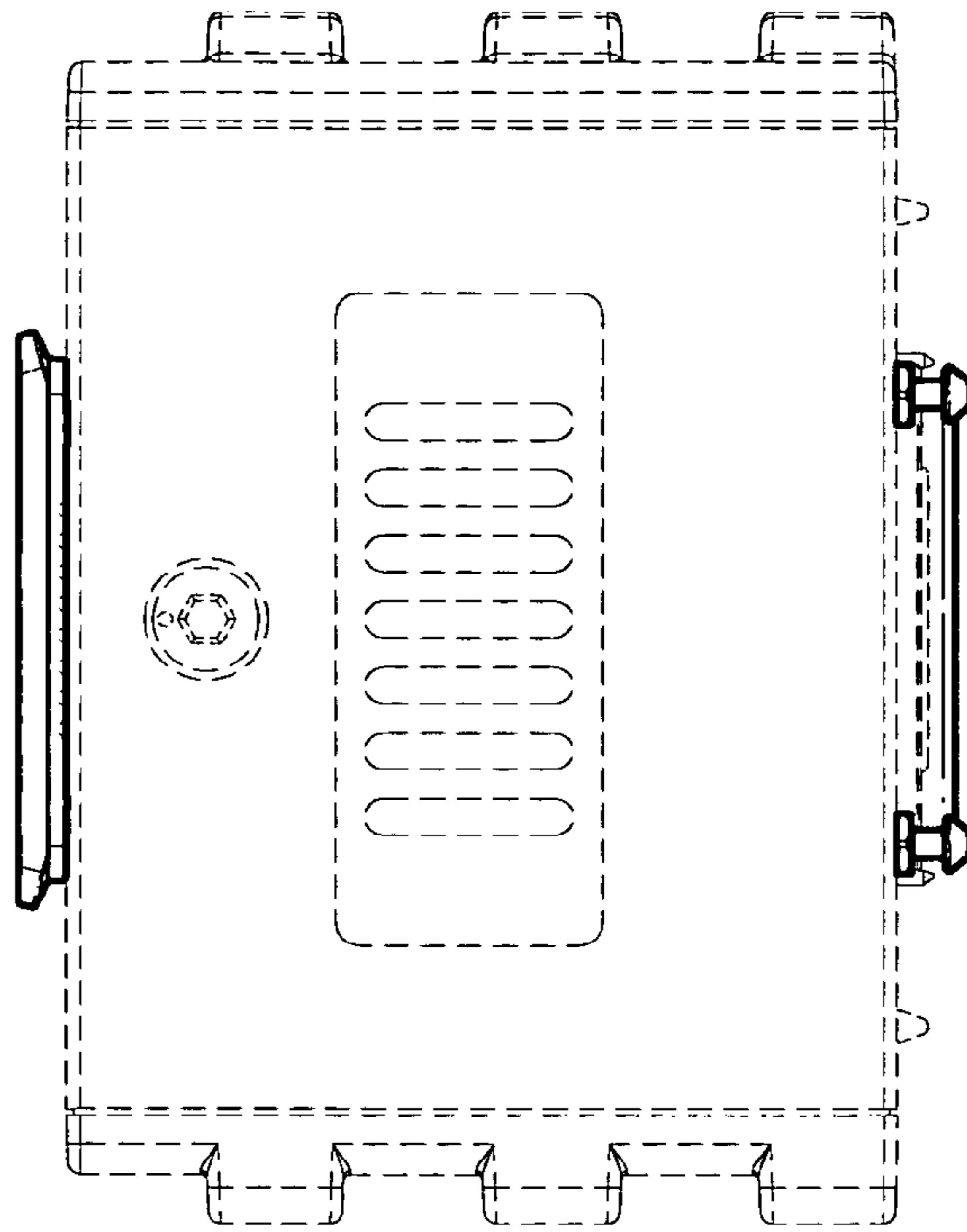


FIG. 8

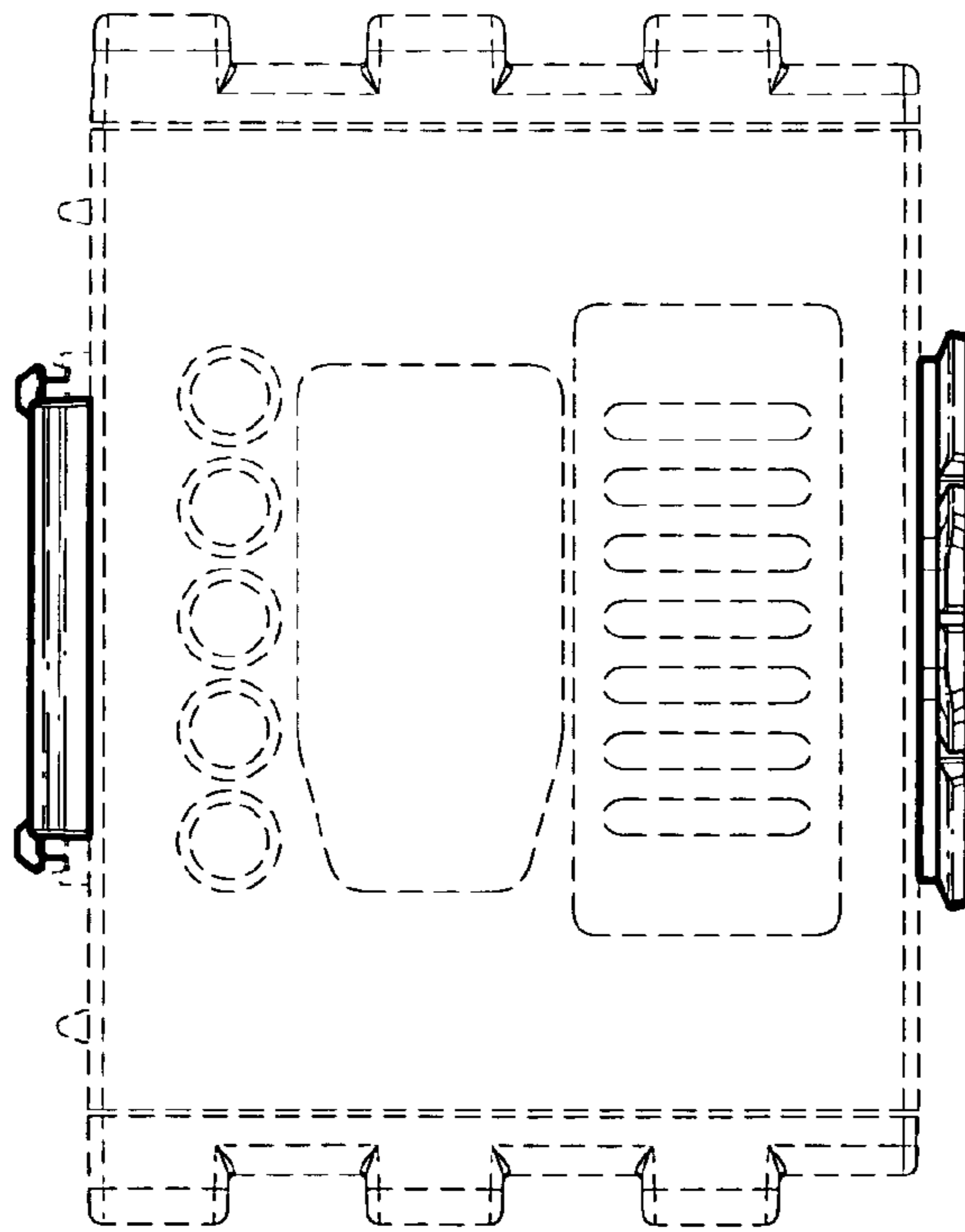


FIG. 7