



US00D647940S

(12) **United States Design Patent**
Hibi

(10) **Patent No.:** **US D647,940 S**

(45) **Date of Patent:** **** Nov. 1, 2011**

(54) **VIDEO CAMERA**

(75) Inventor: **Keita Hibi**, Tokyo (JP)

(73) Assignee: **Sony Corporation**, Tokyo (JP)

(**) Term: **14 Years**

(21) Appl. No.: **29/371,007**

(22) Filed: **Sep. 10, 2010**

Related U.S. Application Data

(63) Continuation of application No. 29/309,138, filed on Jun. 26, 2008, now Pat. No. Des. 623,677.

(30) **Foreign Application Priority Data**

Dec. 28, 2007 (JP) D2007-036230

(51) **LOC (9) Cl.** **16-05**

(52) **U.S. Cl.** **D16/219**

(58) **Field of Classification Search** D16/200,
D16/202, 203, 204, 205, 218, 219; 348/373,
348/375, 376; 358/906; 396/535-541
See application file for complete search history.

(56) **References Cited**

U.S. PATENT DOCUMENTS

5,499,052 A	3/1996	Nakanishi et al.	
D368,922 S	4/1996	Tanaka	
D384,963 S	10/1997	Sekita	
D431,582 S	10/2000	Sumita et al.	
D435,575 S	12/2000	Kanatani	
D463,469 S	9/2002	Kawase	
D484,166 S *	12/2003	Senda	D16/219
D488,495 S	4/2004	Shimizu	
D496,061 S	9/2004	Hayashi	
D500,512 S	1/2005	Hayashi	

D500,776 S	1/2005	Miyashita	
D508,512 S *	8/2005	Suzuki	D16/219
D511,350 S	11/2005	Sumita	
D516,597 S	3/2006	Tsuchiya	
D516,600 S	3/2006	Tsuchiya	
D557,719 S	12/2007	Yasutomi	
D558,244 S	12/2007	Ikenaga	
D558,245 S	12/2007	Ikenaga	
D565,625 S	4/2008	Ikenaga et al.	
D566,150 S	4/2008	Sadatsuki	
D584,754 S	1/2009	Chung et al.	
D590,860 S *	4/2009	Yukikado	D16/202
D593,590 S	6/2009	Tanifuji et al.	
D614,221 S *	4/2010	Park	D16/203

* cited by examiner

Primary Examiner — Adir Aronovich

(74) *Attorney, Agent, or Firm* — Rader, Fishman & Grauer PLLC

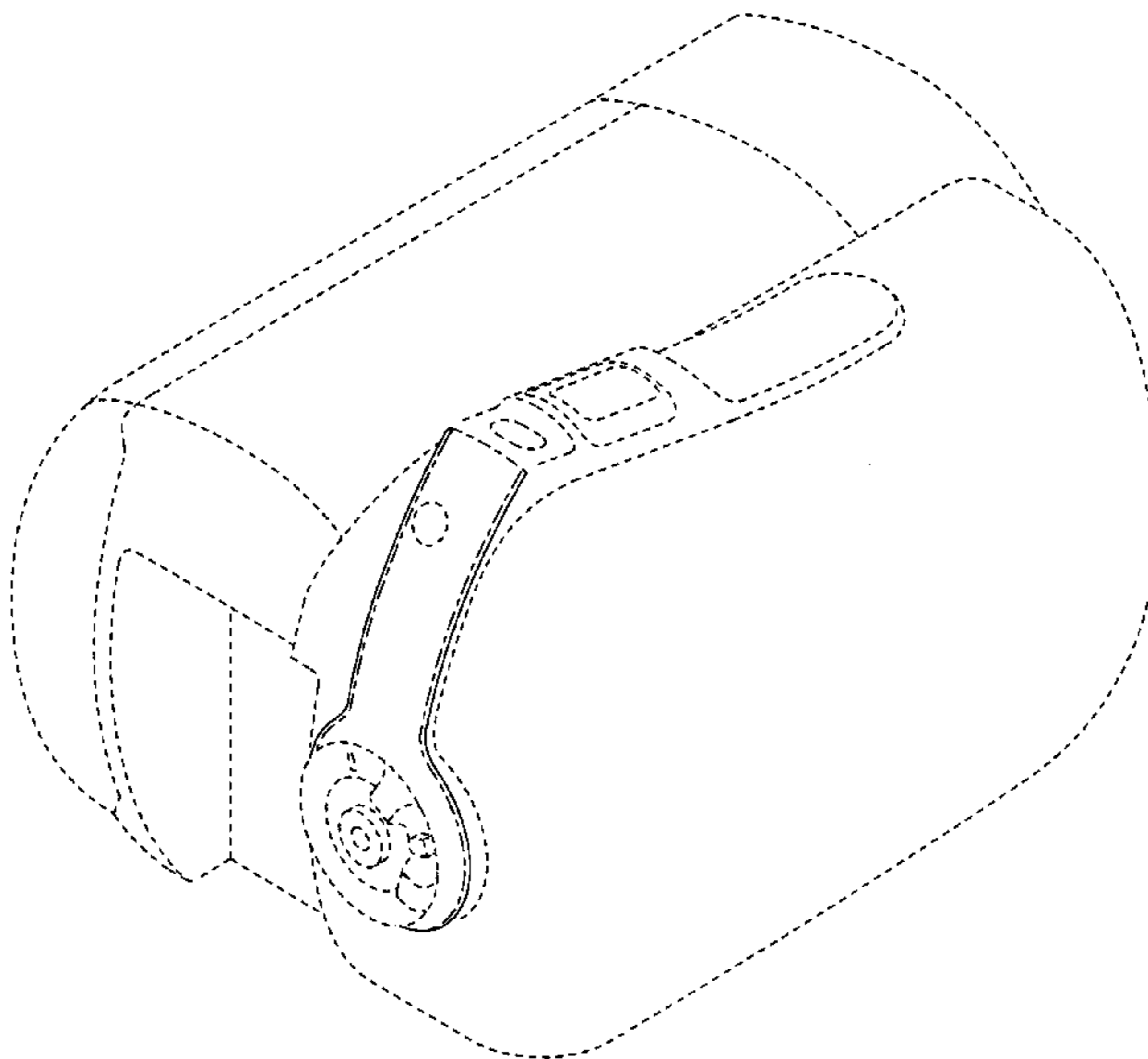
(57) **CLAIM**

The ornamental design for a video camera, as shown and described.

DESCRIPTION

FIG. 1 is a rear, top, left perspective view of a video camera showing my new design;
FIG. 2 is a rear elevational view thereof;
FIG. 3 is a left side elevational view thereof;
FIG. 4 is a right side elevational view thereof;
FIG. 5 is a top plan view thereof;
FIG. 6 is a bottom plan view thereof; and,
FIG. 7 is a rear, top, left perspective view thereof.
The portions in broken lines are for illustrative purpose only and form no part of the claimed design. The dot-dash lines define, but are not included in, the boundaries of the claimed design.

1 Claim, 7 Drawing Sheets



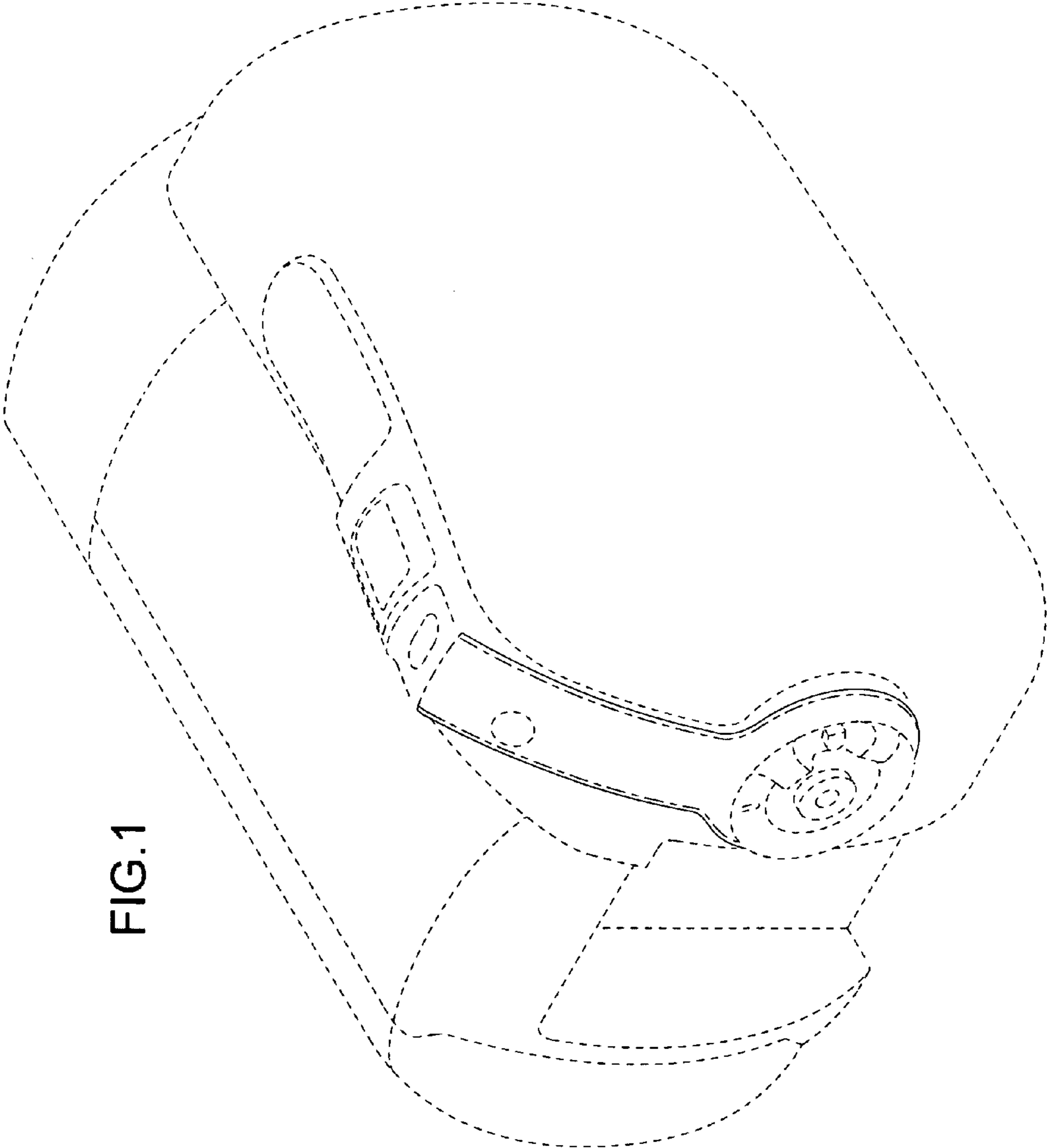


FIG.1

FIG.2

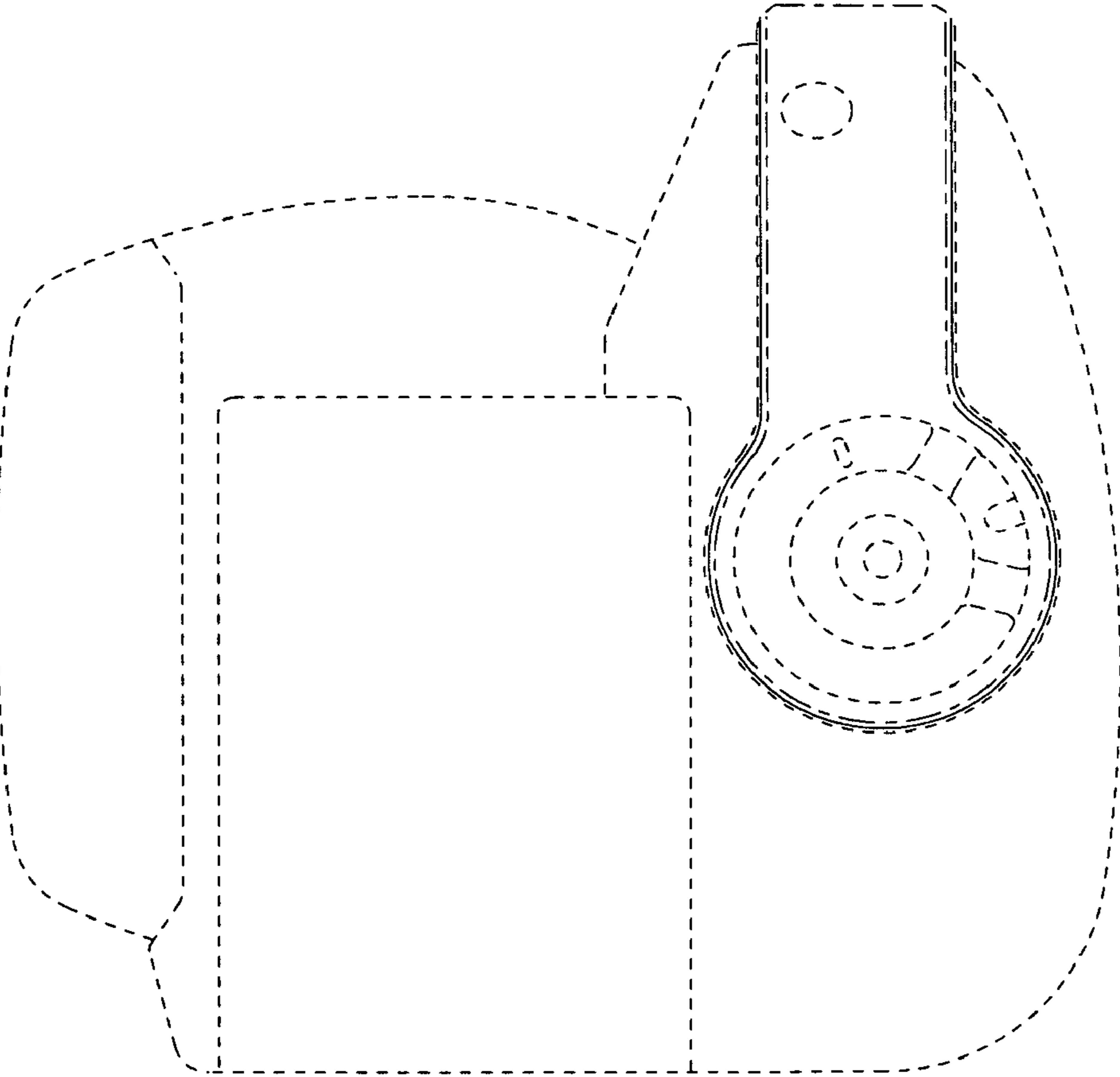


FIG.3

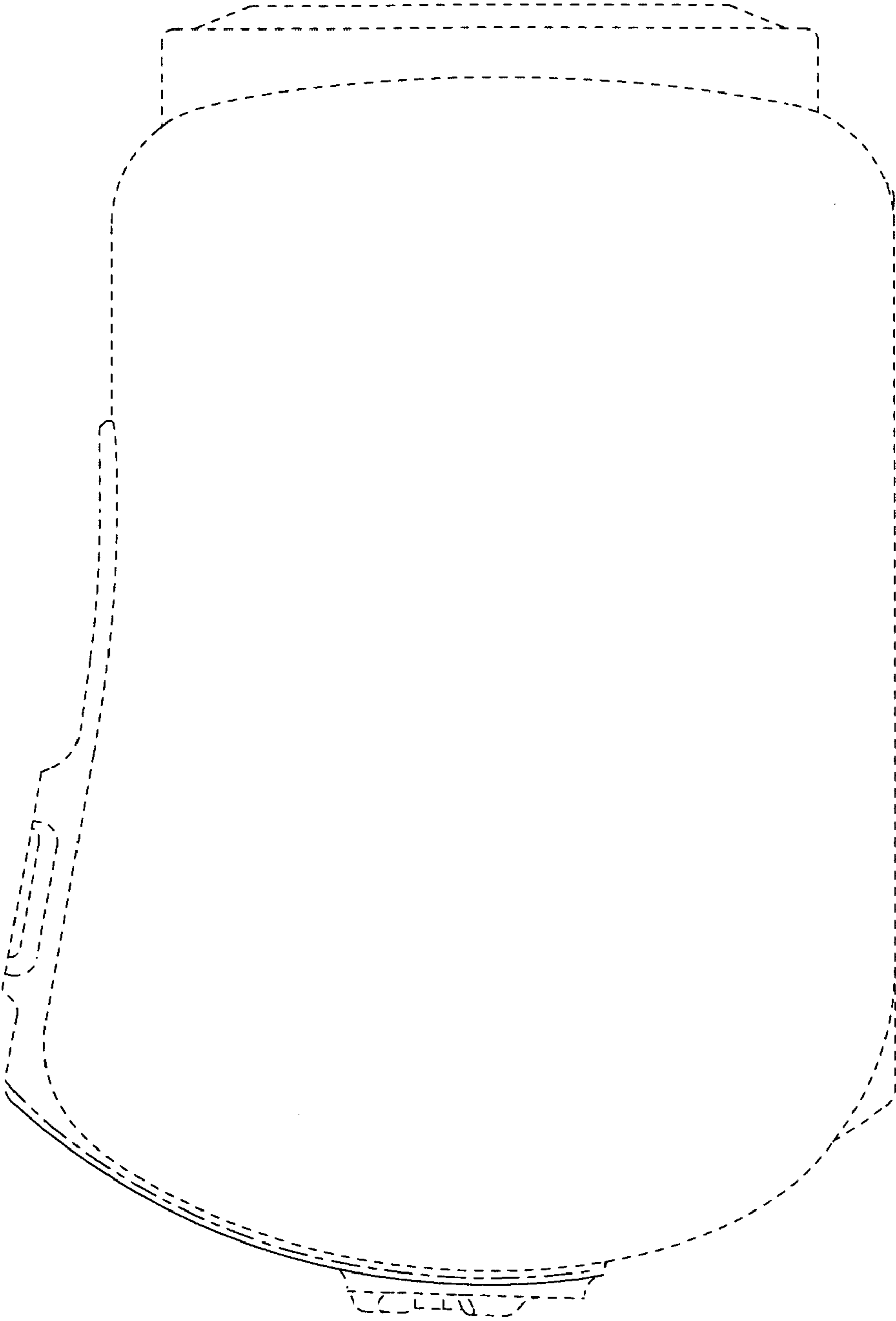


FIG.4

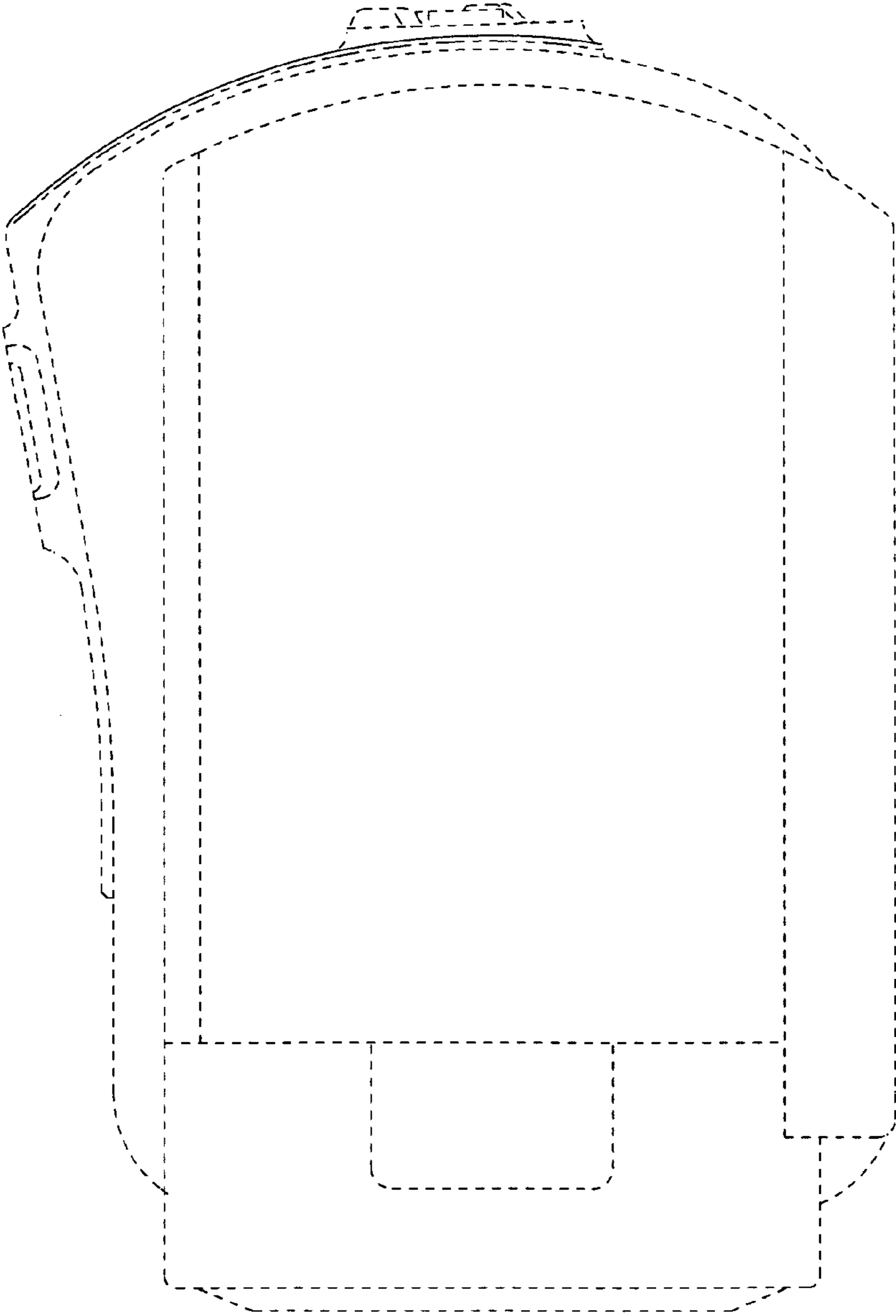


FIG.5

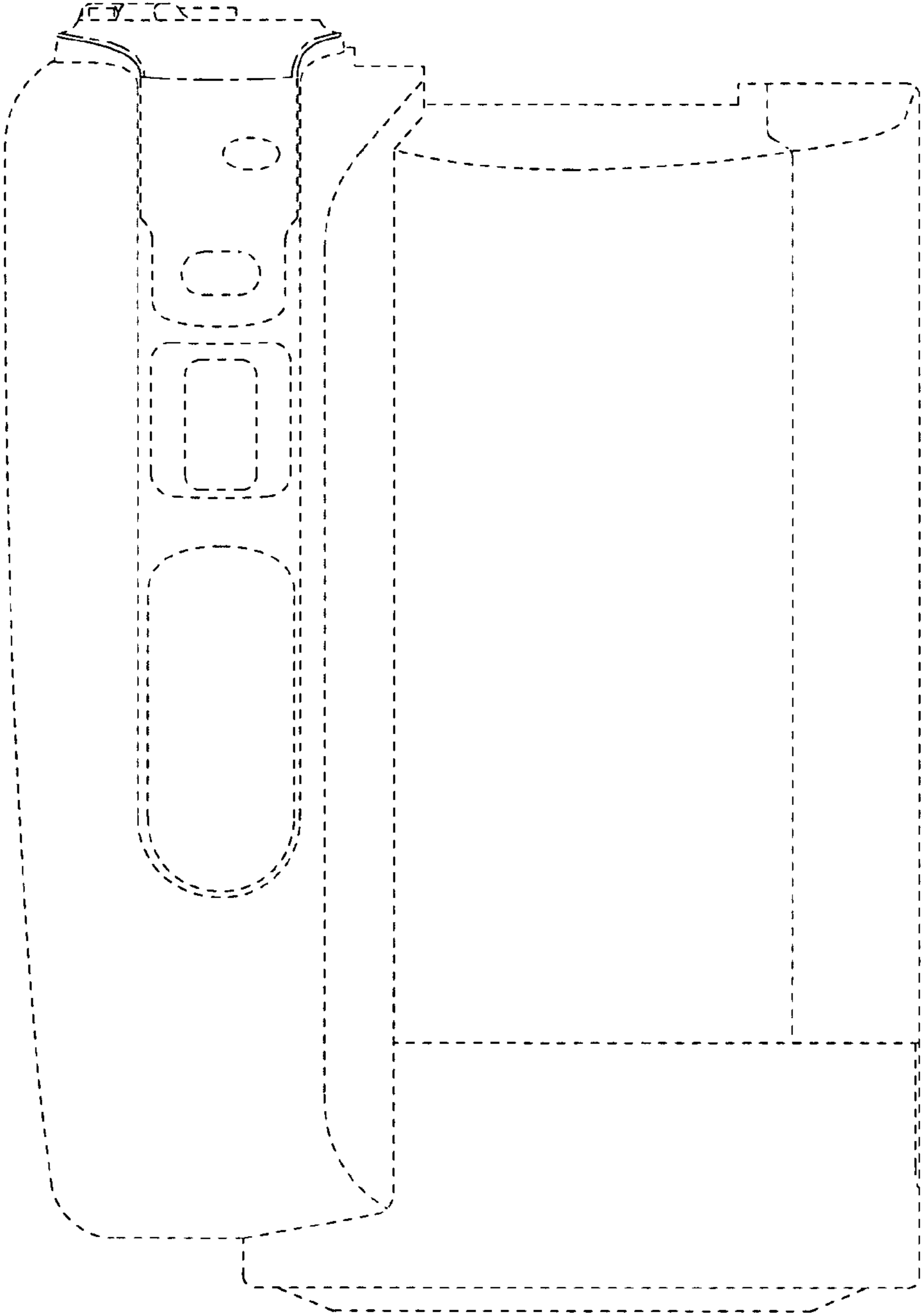


FIG.6

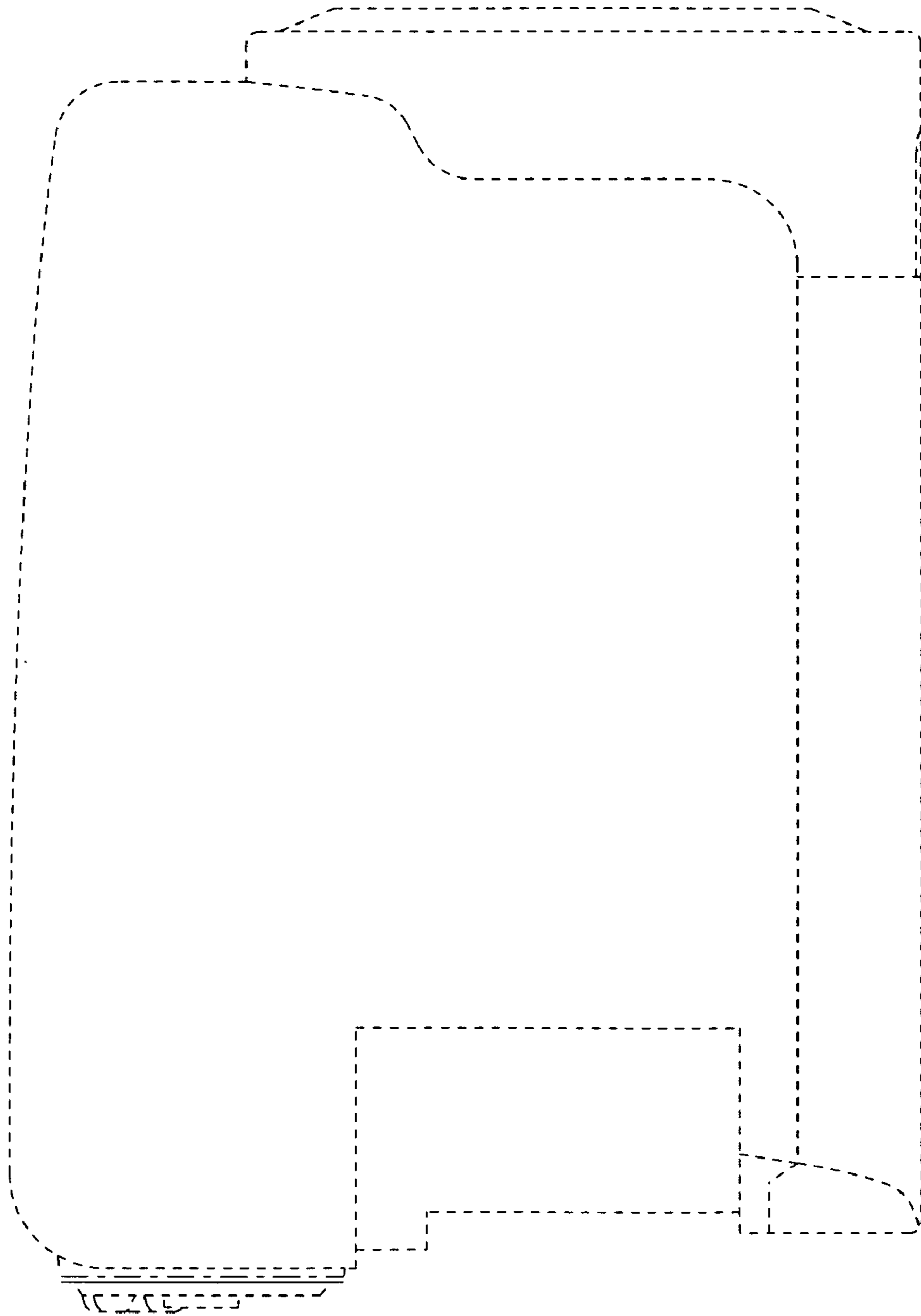


FIG.7

