



US00D647939S

(12) **United States Design Patent**
Jannard et al.

(10) **Patent No.:** **US D647,939 S**

(45) **Date of Patent:** **** Nov. 1, 2011**

(54) **CAMERA COMPONENT**

(75) Inventors: **James H. Jannard**, Las Vegas, NV (US); **Matthew Gene Tremblay**, Laguna Beach, CA (US); **Peter Jarred Land**, Lake Forest, CA (US)

(73) Assignee: **Red.com, Inc.**, Lake Forest, CA (US)

(**) Term: **14 Years**

(21) Appl. No.: **29/348,318**

(22) Filed: **Dec. 18, 2009**

(51) **LOC (9) Cl.** **16-05**

(52) **U.S. Cl.** **D16/219**

(58) **Field of Classification Search** D16/200–205, D16/208, 218–219, 237–250; 348/143, 151, 348/373–376; 358/906; 396/247, 427, 226–228, 396/257, 259, 535–541

See application file for complete search history.

(56) **References Cited**

U.S. PATENT DOCUMENTS

4,391,488 A * 7/1983 Ishizaka et al. 396/63
D534,195 S * 12/2006 Ikenaga D16/202
D572,291 S * 7/2008 Aiba D16/219

* cited by examiner

Primary Examiner — Nanda Bondade

(74) *Attorney, Agent, or Firm* — Gregory K. Nelson

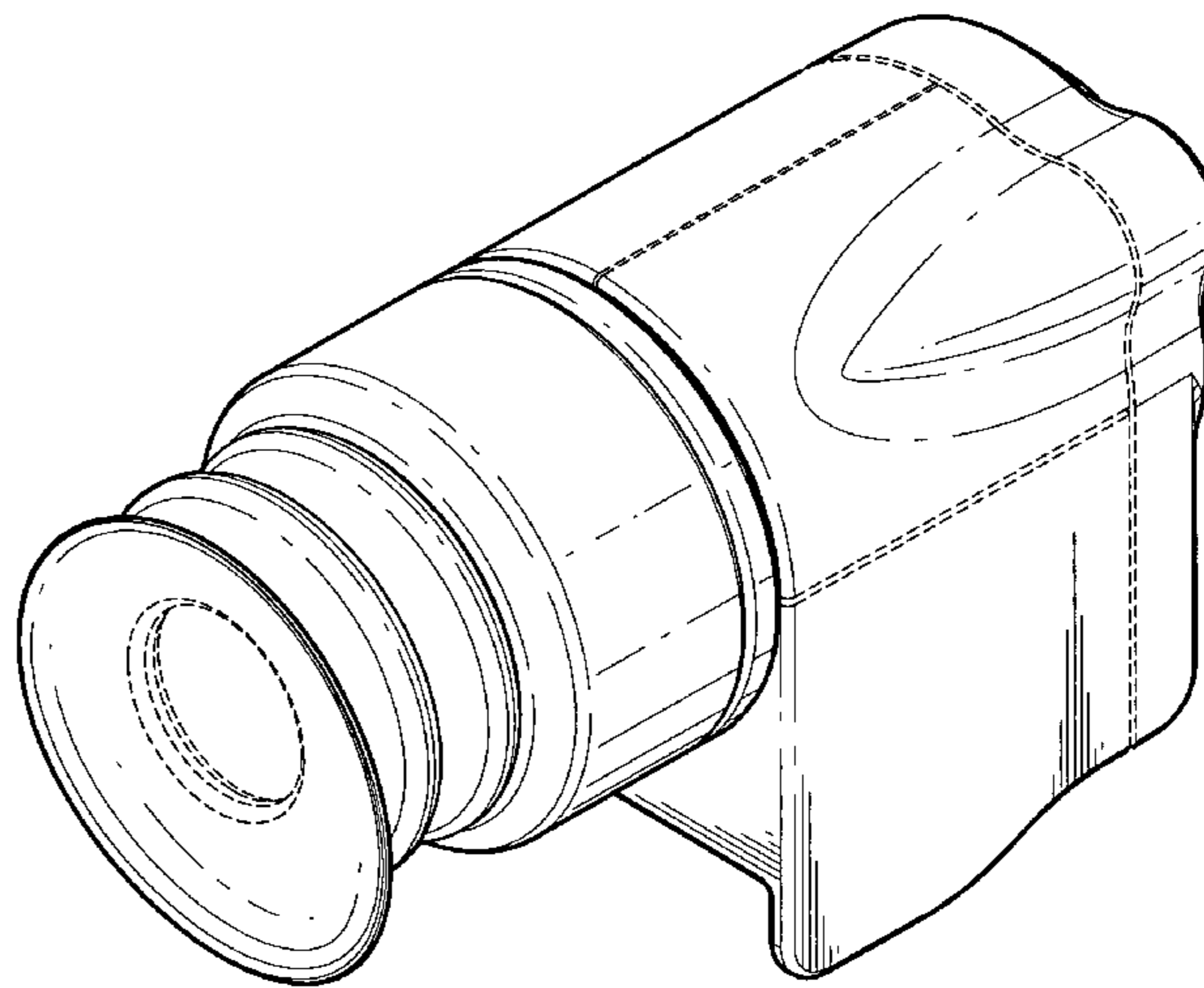
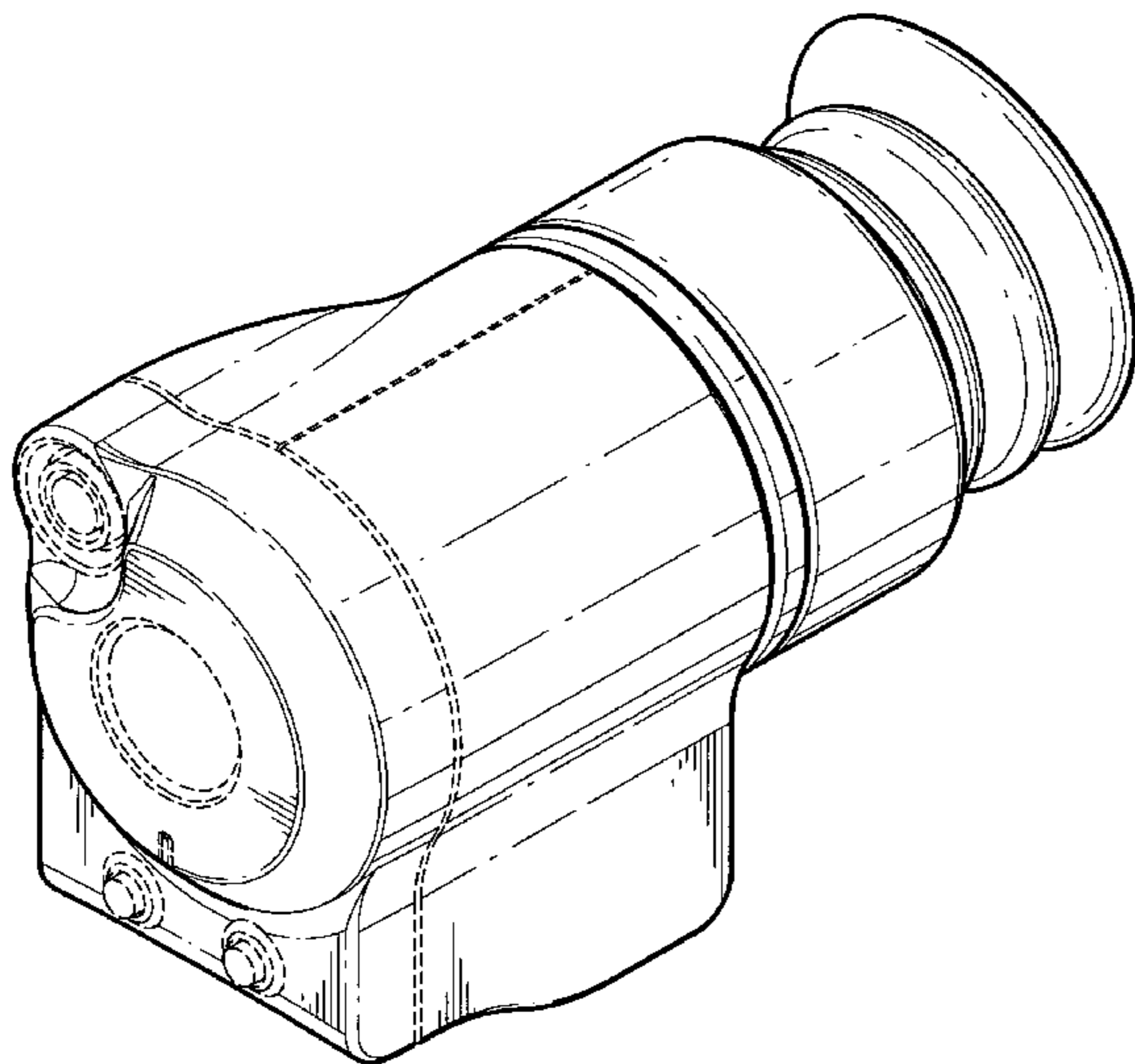
(57) **CLAIM**

The ornamental design for a camera component, as shown.

DESCRIPTION

FIG. 1 is a top plan view of a showing my new design;
FIG. 2 is bottom plan view thereof;
FIG. 3 is a front elevational view thereof;
FIG. 4 is a rear elevational view thereof;
FIG. 5 is a right side elevational view thereof;
FIG. 6 is a left side elevational view thereof; and
FIG. 7 is a top perspective view thereof; and,
FIG. 8 is a rear elevational view thereof.
Phantom lining, where utilized, is for illustrative purposes only and is not intended to limit the claimed design to the features shown in phantom.

1 Claim, 5 Drawing Sheets



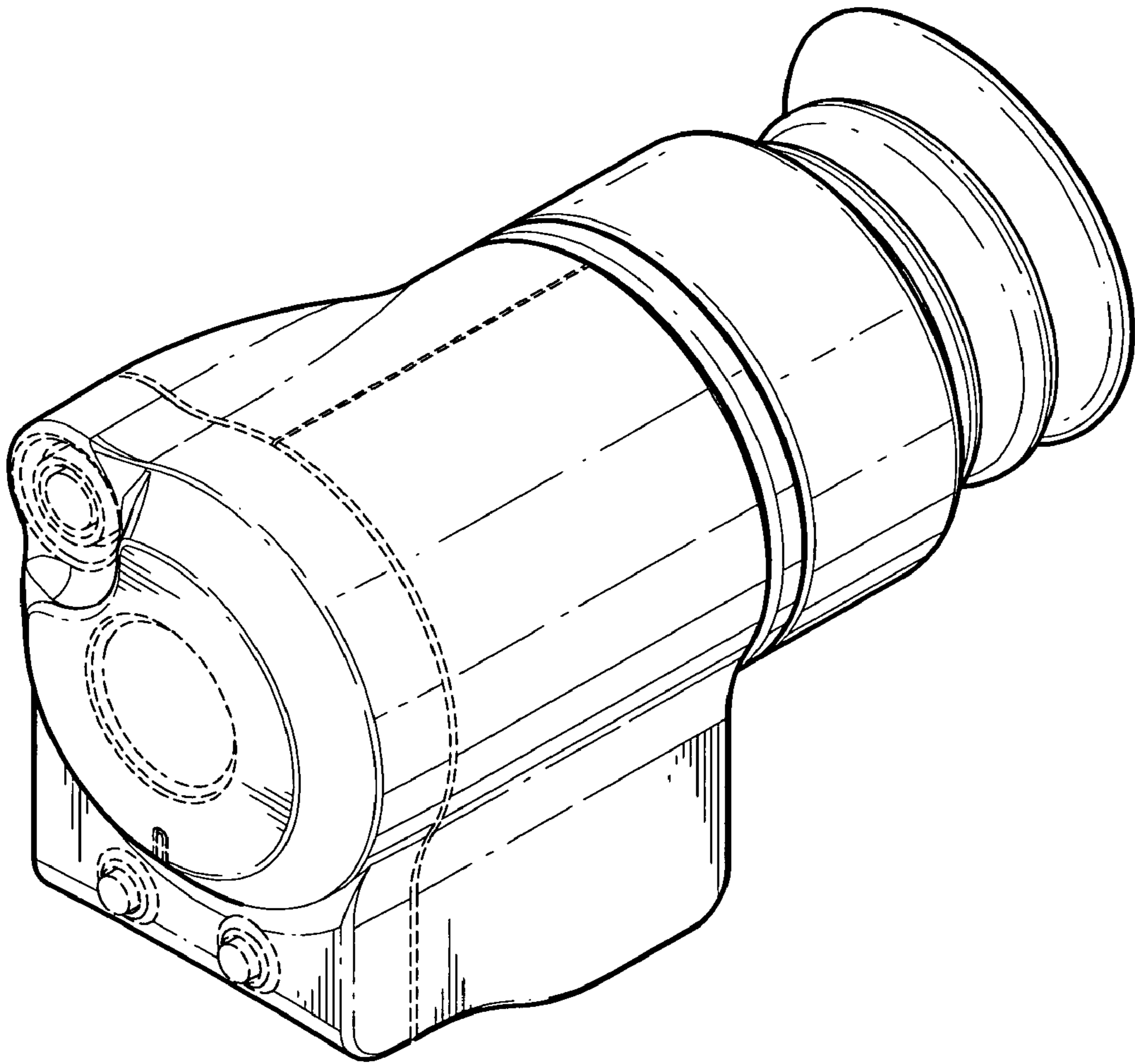


FIG. 1

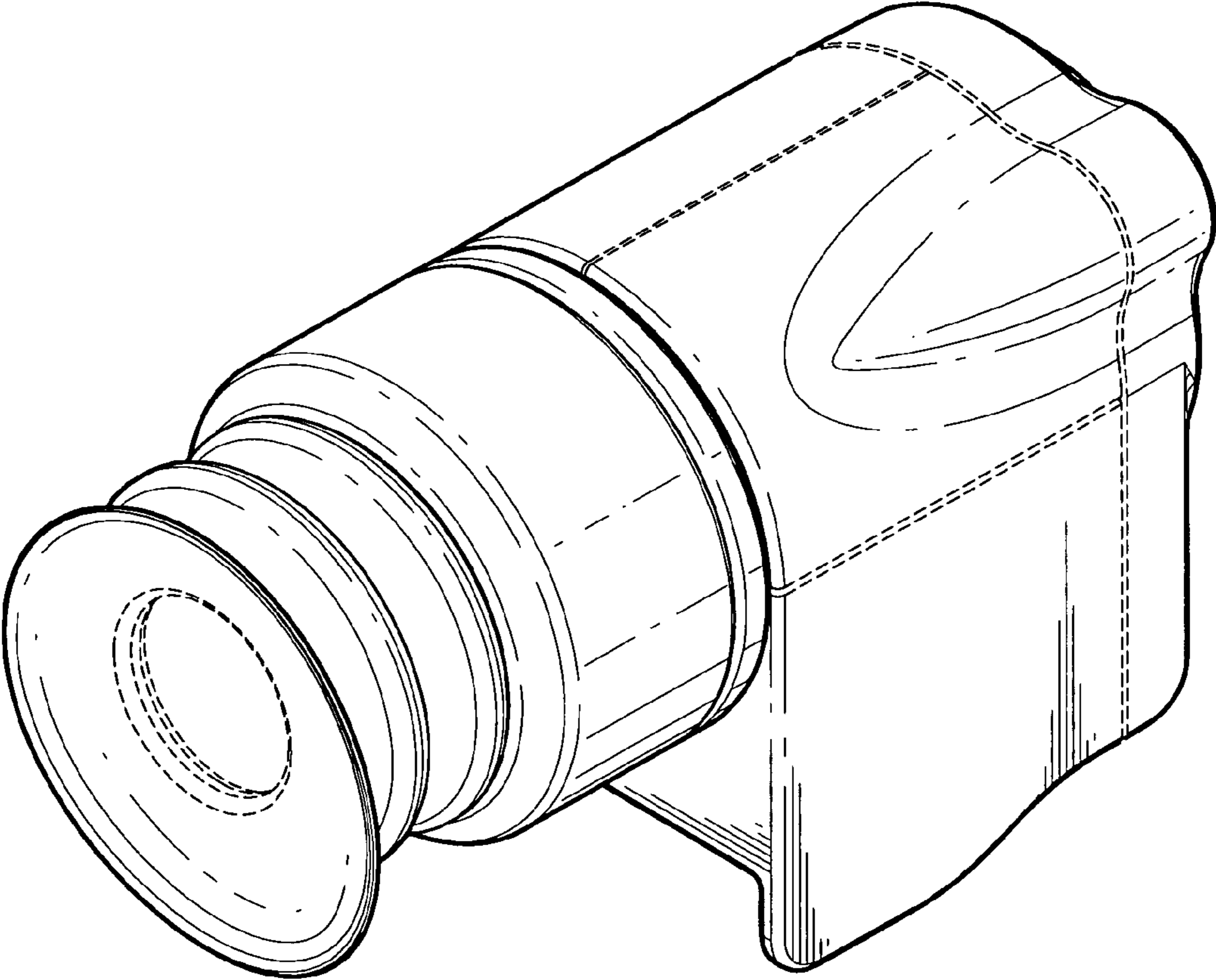


FIG. 2

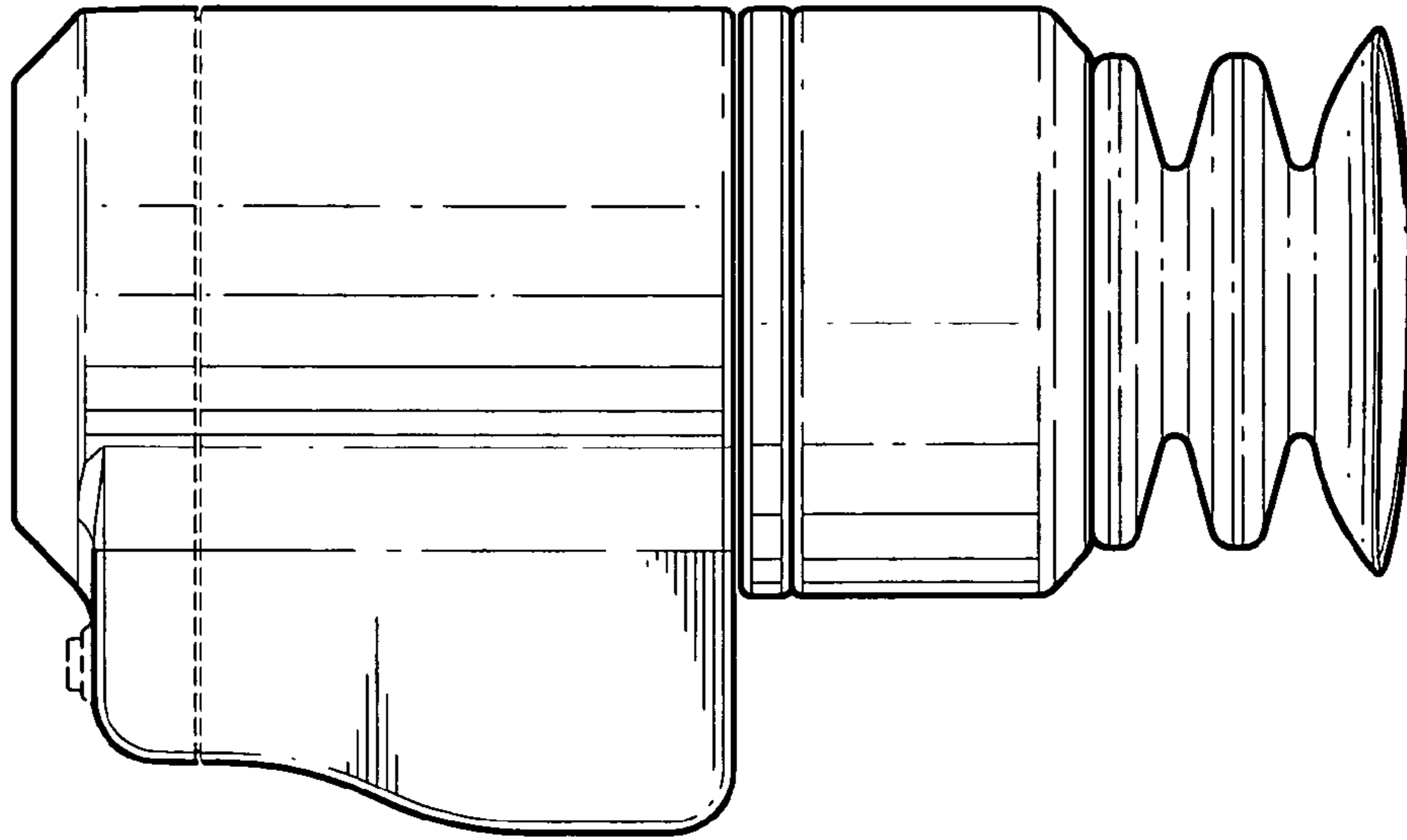


FIG. 3

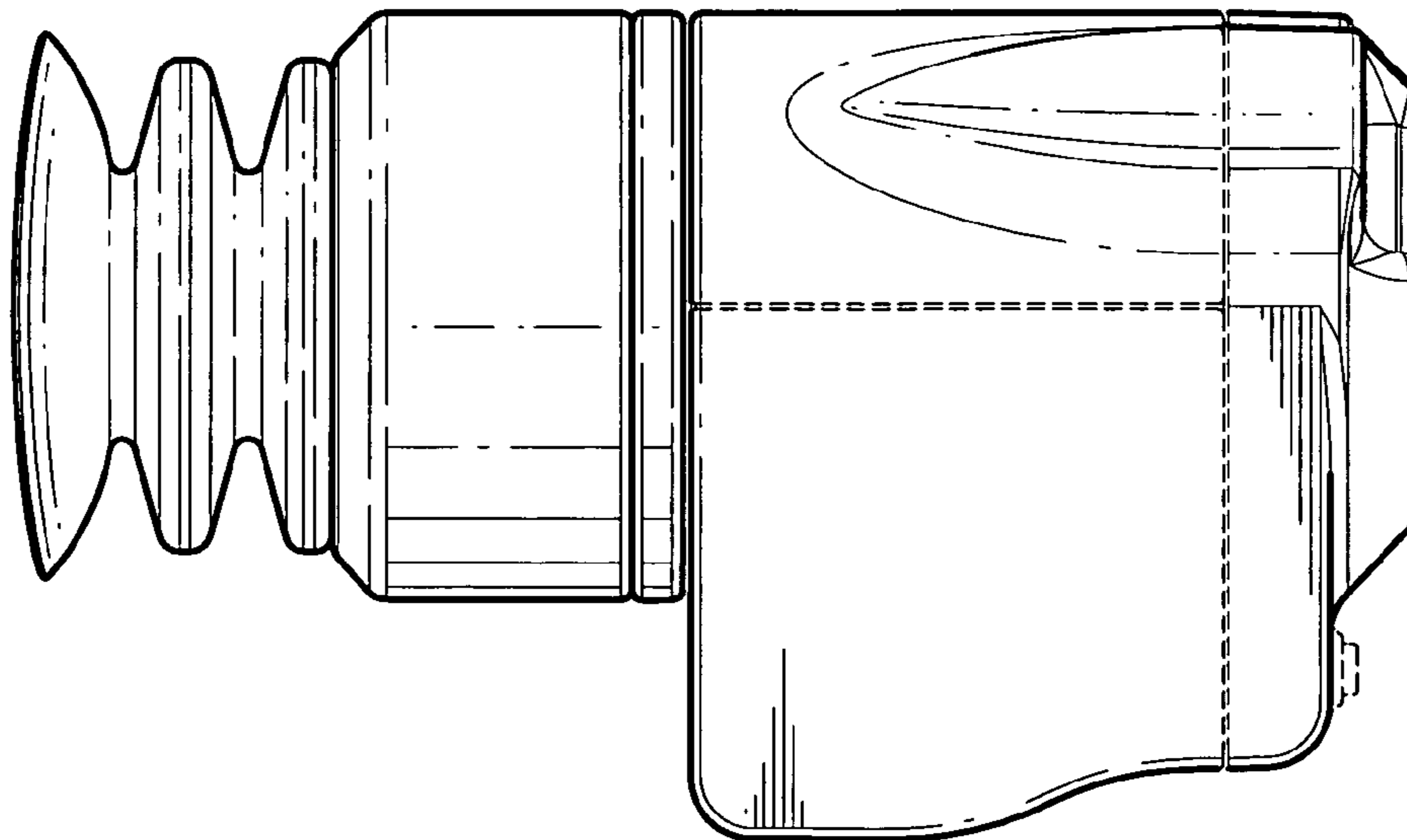


FIG. 4

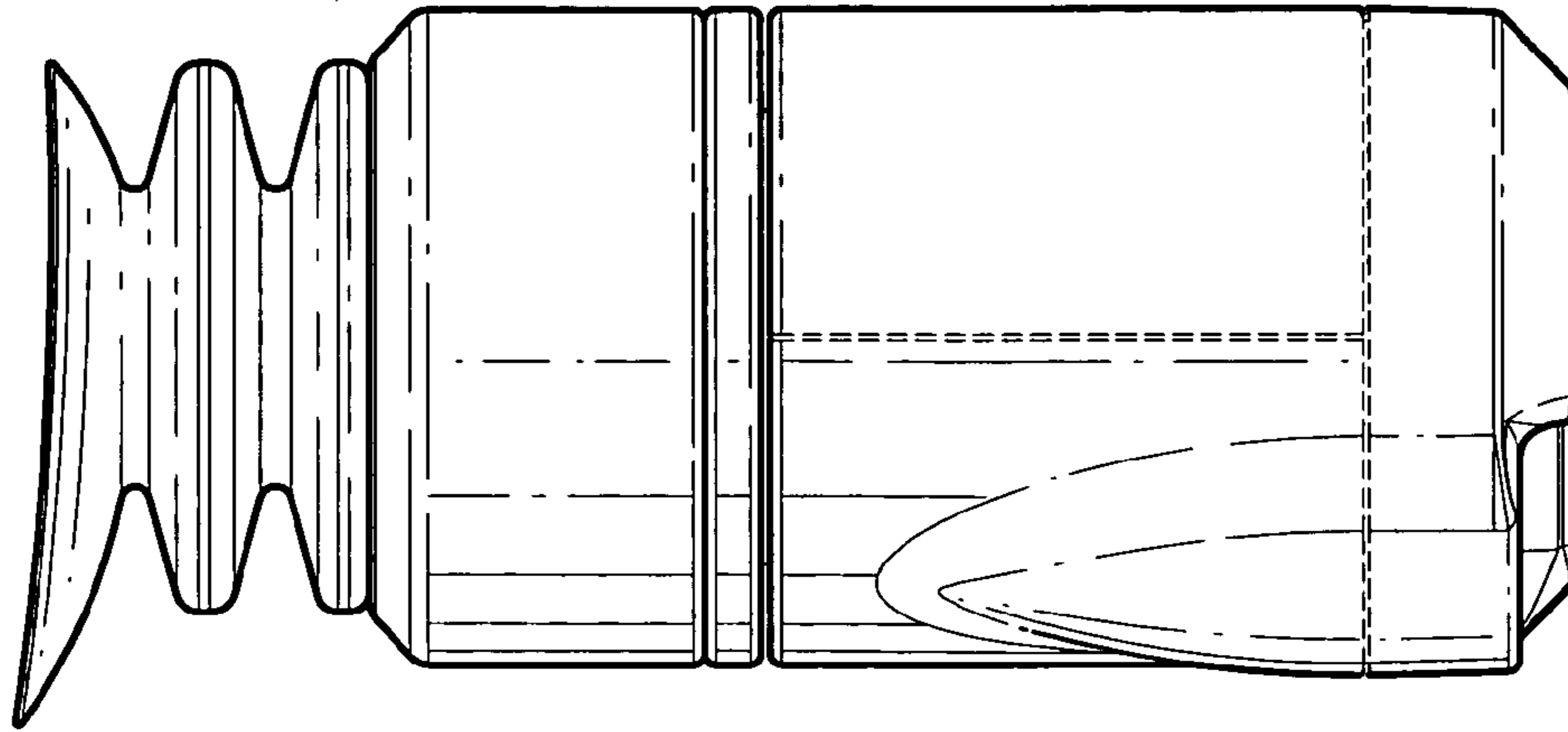


FIG. 5



FIG. 6

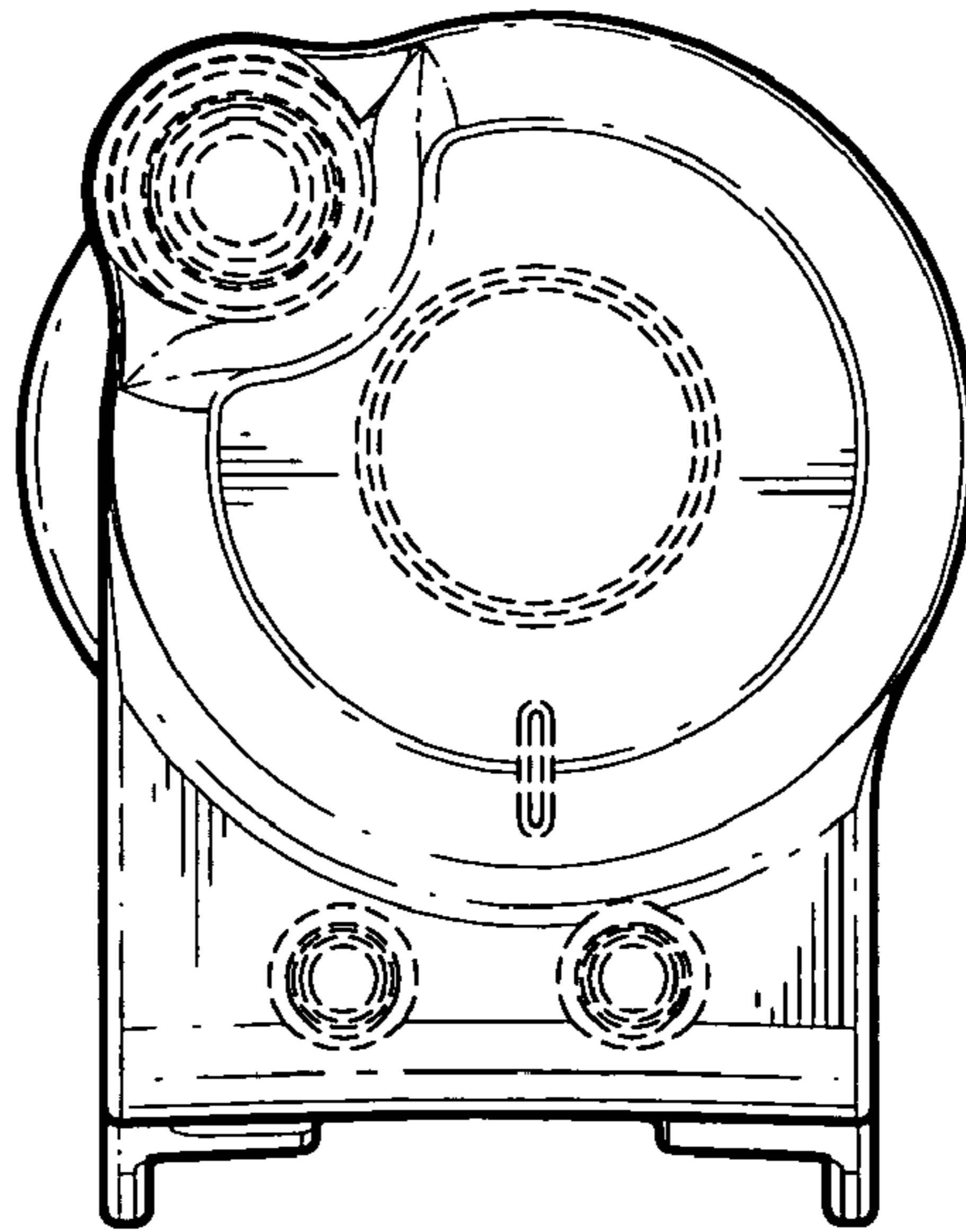


FIG. 7

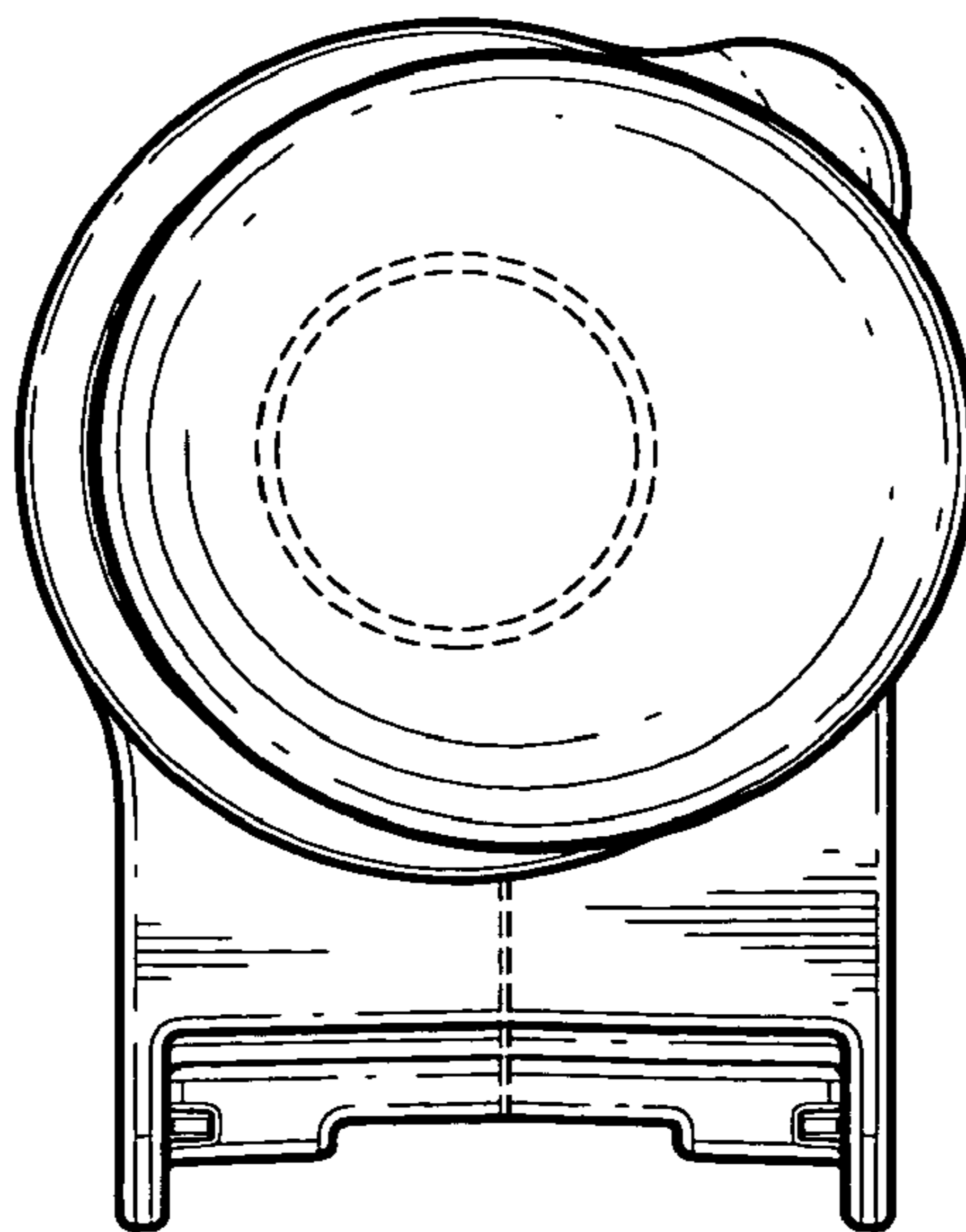


FIG. 8