



US00D647938S

(12) **United States Design Patent**  
**Geddes**

(10) **Patent No.:** **US D647,938 S**

(45) **Date of Patent:** **\*\* Nov. 1, 2011**

(54) **PHOTO BOOTH**

(76) Inventor: **Henry Geddes**, Miami, FL (US)

(\*\*) Term: **14 Years**

(21) Appl. No.: **29/378,009**

(22) Filed: **Oct. 28, 2010**

(51) **LOC (9) Cl.** ..... **16-01**

(52) **U.S. Cl.** ..... **D16/215**

(58) **Field of Classification Search** ..... D16/215,  
D16/237; D20/10; D25/25; 52/29; 396/2,  
396/3, 5

See application file for complete search history.

(56) **References Cited**

**U.S. PATENT DOCUMENTS**

D286,817 S *	11/1986	Zanuso	.....	D25/16
D296,131 S *	6/1988	James	.....	D25/16
D308,726 S *	6/1990	Fontaine	.....	D25/16
D381,433 S *	7/1997	Priestley et al.	.....	D25/16
5,653,063 A *	8/1997	Barnett et al.	.....	52/29
5,778,258 A *	7/1998	Zamoyski	.....	396/2
D397,130 S *	8/1998	Tudico	.....	D16/215
D514,844 S *	2/2006	Cravens et al.	.....	D25/16

D589,627 S \* 3/2009 Shreck et al. .... D25/16

\* cited by examiner

*Primary Examiner* — Adir Aronovich

(74) *Attorney, Agent, or Firm* — Gifford, Krass, Sprinkle,  
Anderson & Citkowski, P.C.

(57) **CLAIM**

The ornamental design for a portable photo booth, as shown  
and described.

**DESCRIPTION**

FIG. 1 is a perspective view from the front and top of a  
portable photobooth showing my new design;

FIG. 2 is a reduced front elevational view of the portable  
photo booth of FIG. 1;

FIG. 3 is a reduced right side elevational view of the portable  
photo booth of FIG. 1;

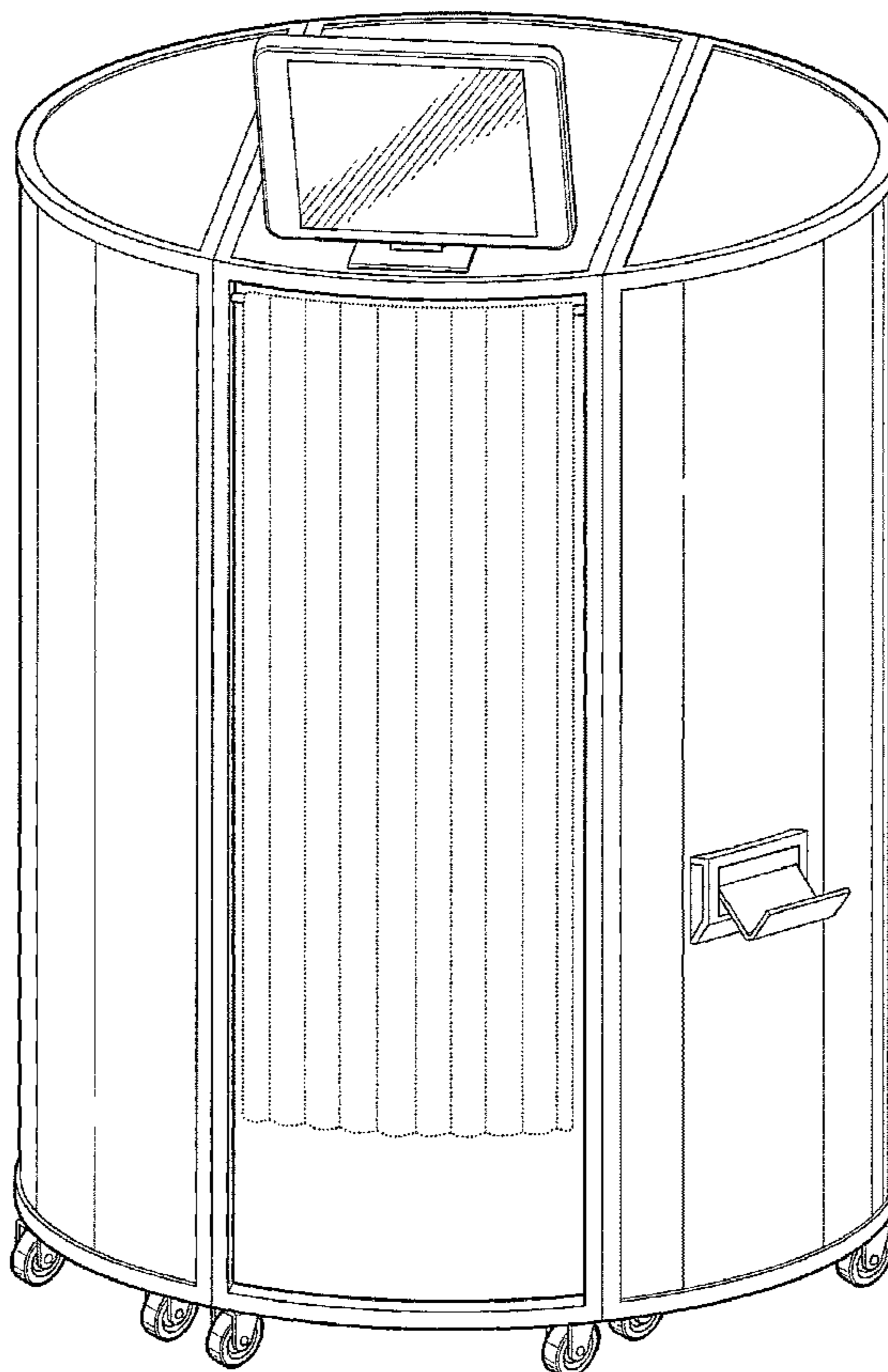
FIG. 4 is a reduced rear elevational view of the portable photo  
booth of FIG. 1;

FIG. 5 is a reduced left side elevational view of the portable  
photo booth of FIG. 1;

FIG. 6 is a reduced bottom plan view of the portable photo  
booth of FIG. 1; and,

FIG. 7 is a reduced top plan view of the portable photo booth  
of FIG. 1.

**1 Claim, 4 Drawing Sheets**



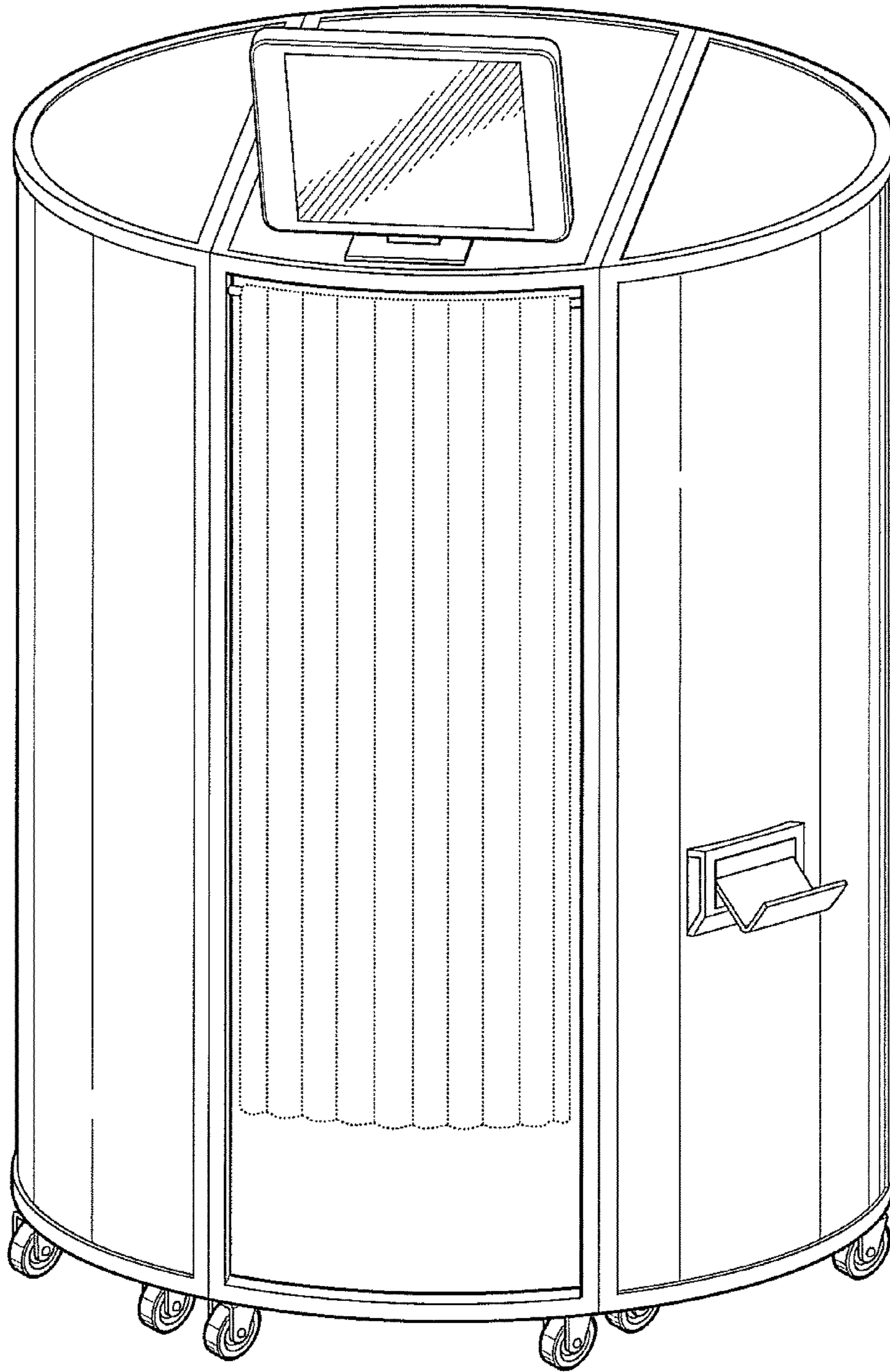


FIG. 1

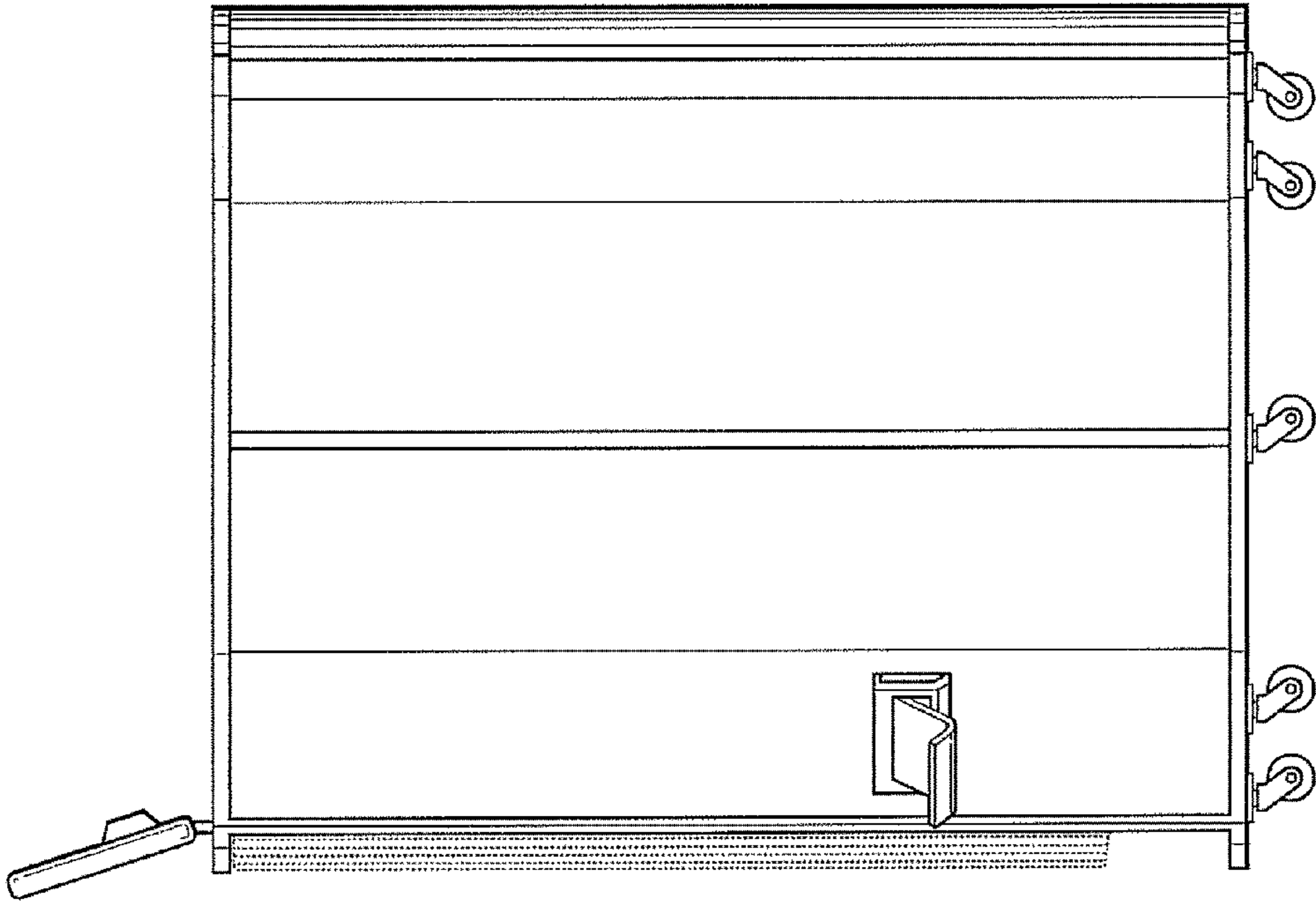


FIG. 3

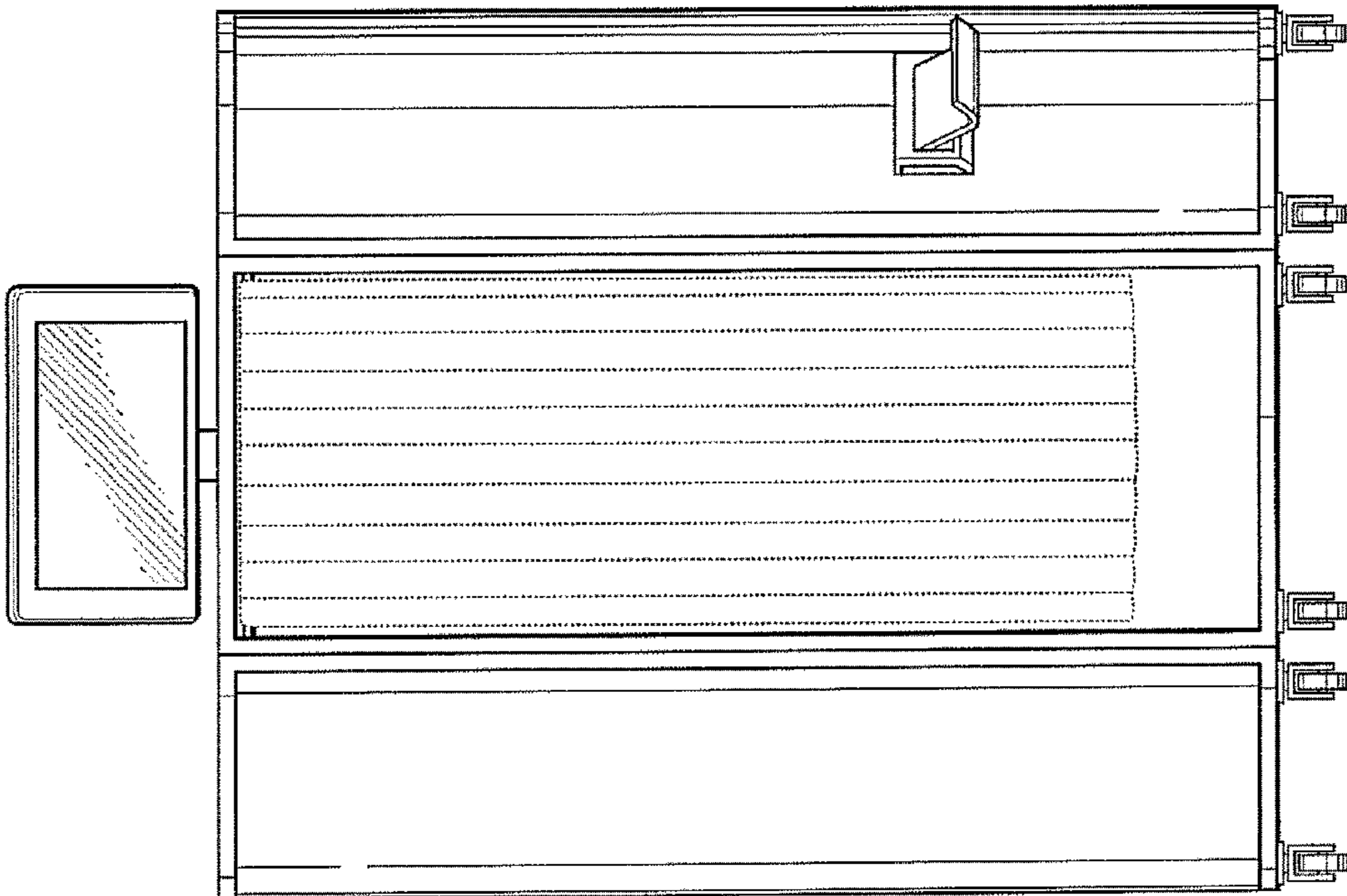


FIG. 2



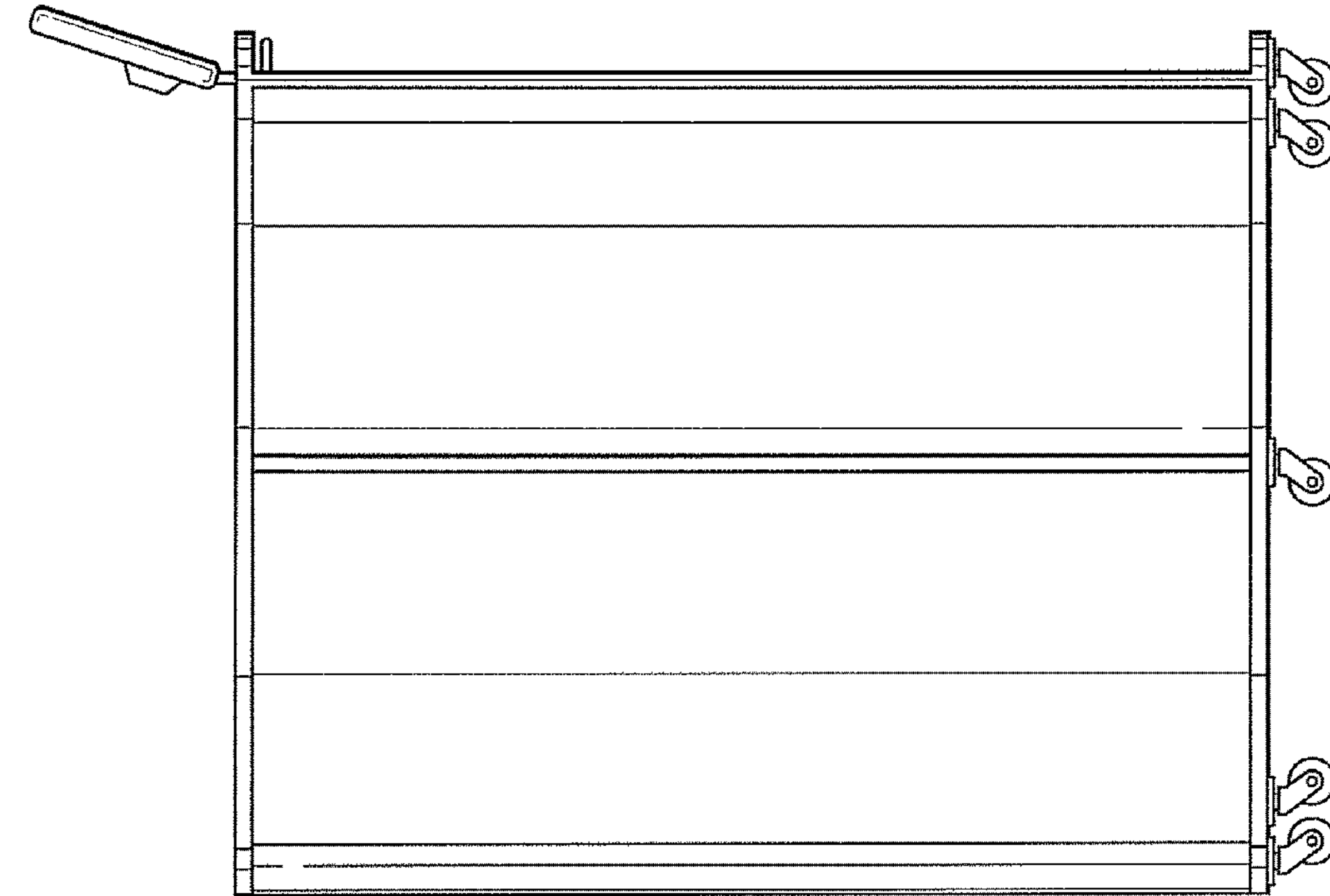


FIG. 5

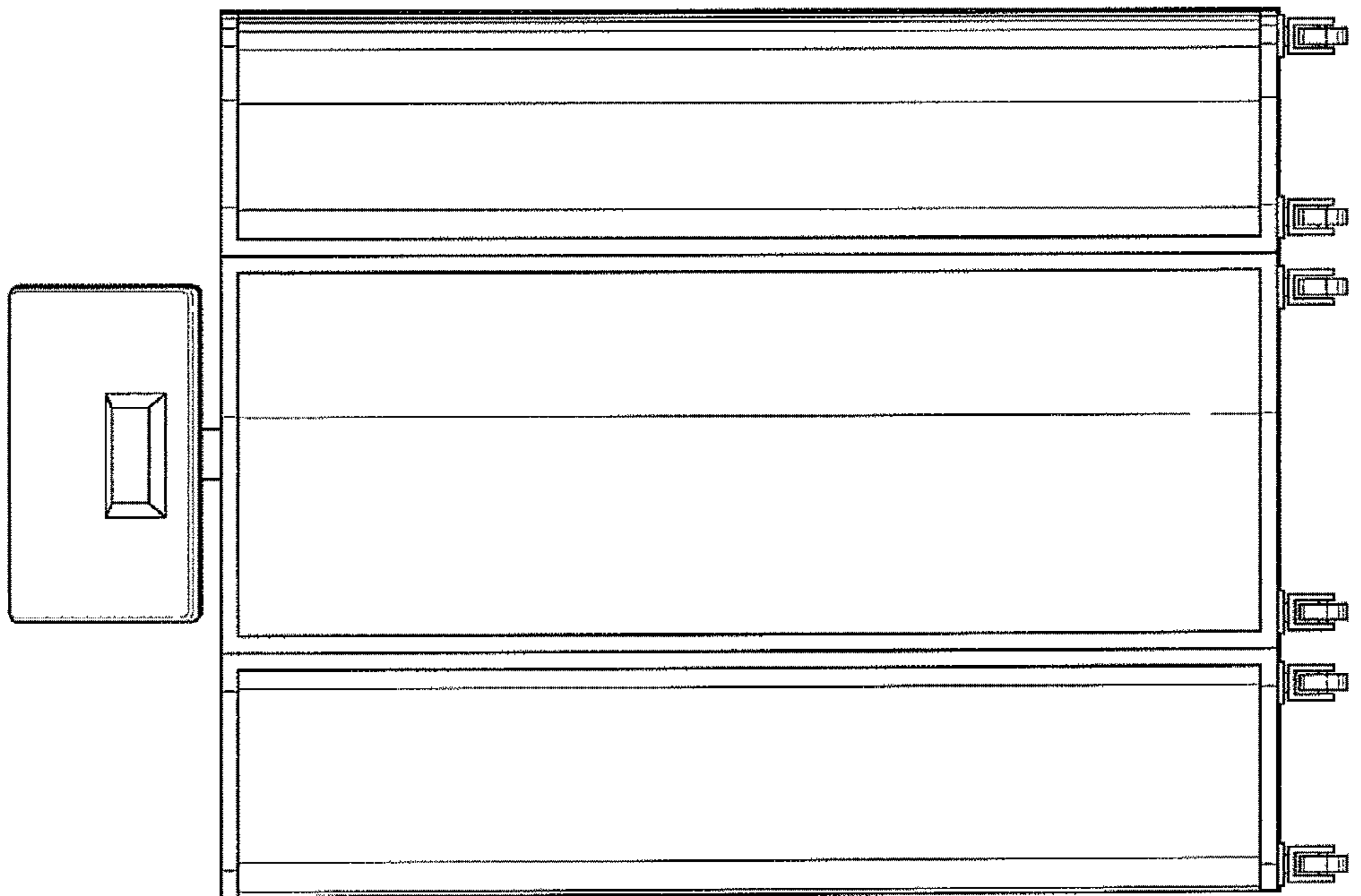


FIG. 4

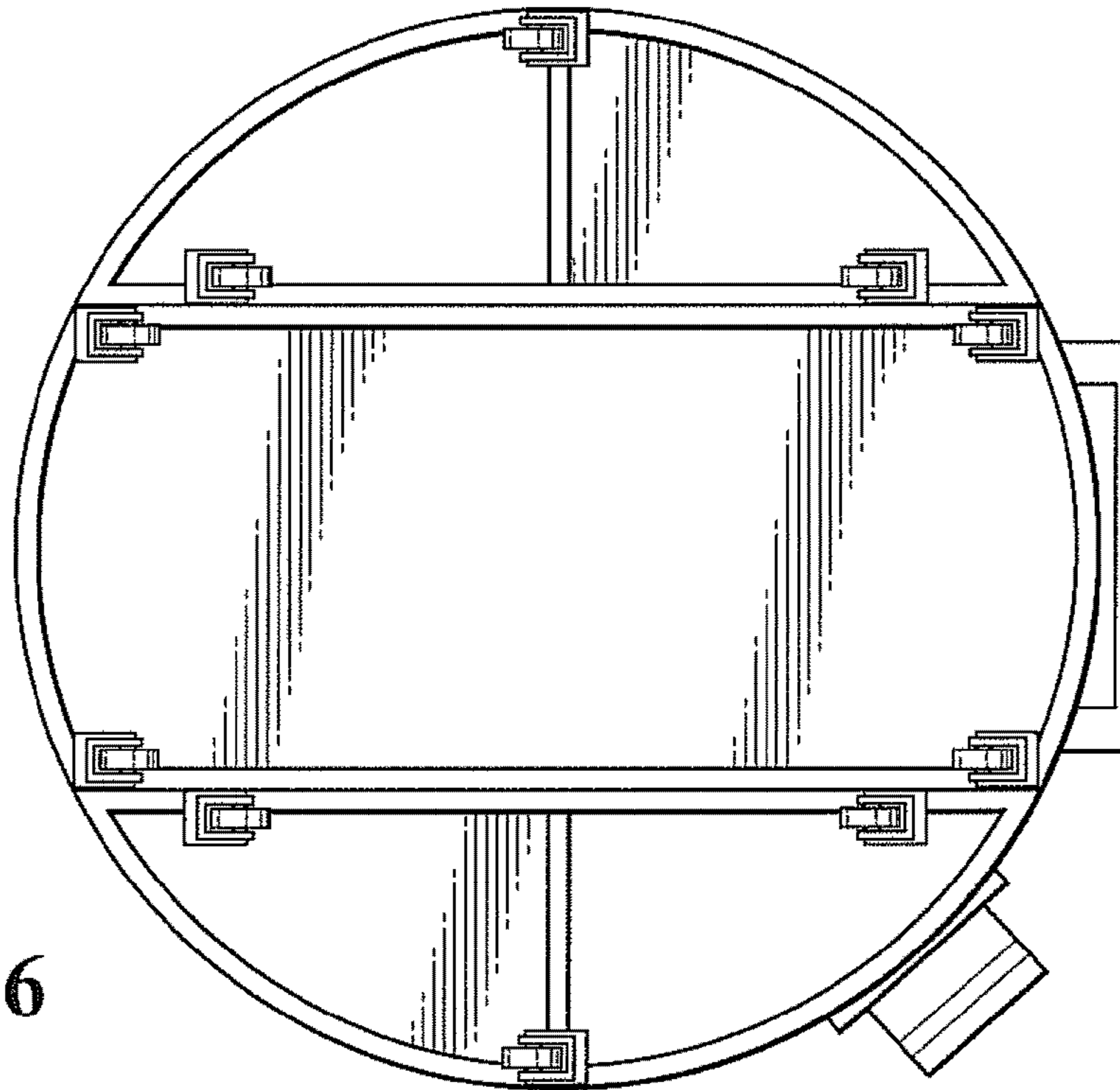


FIG. 6

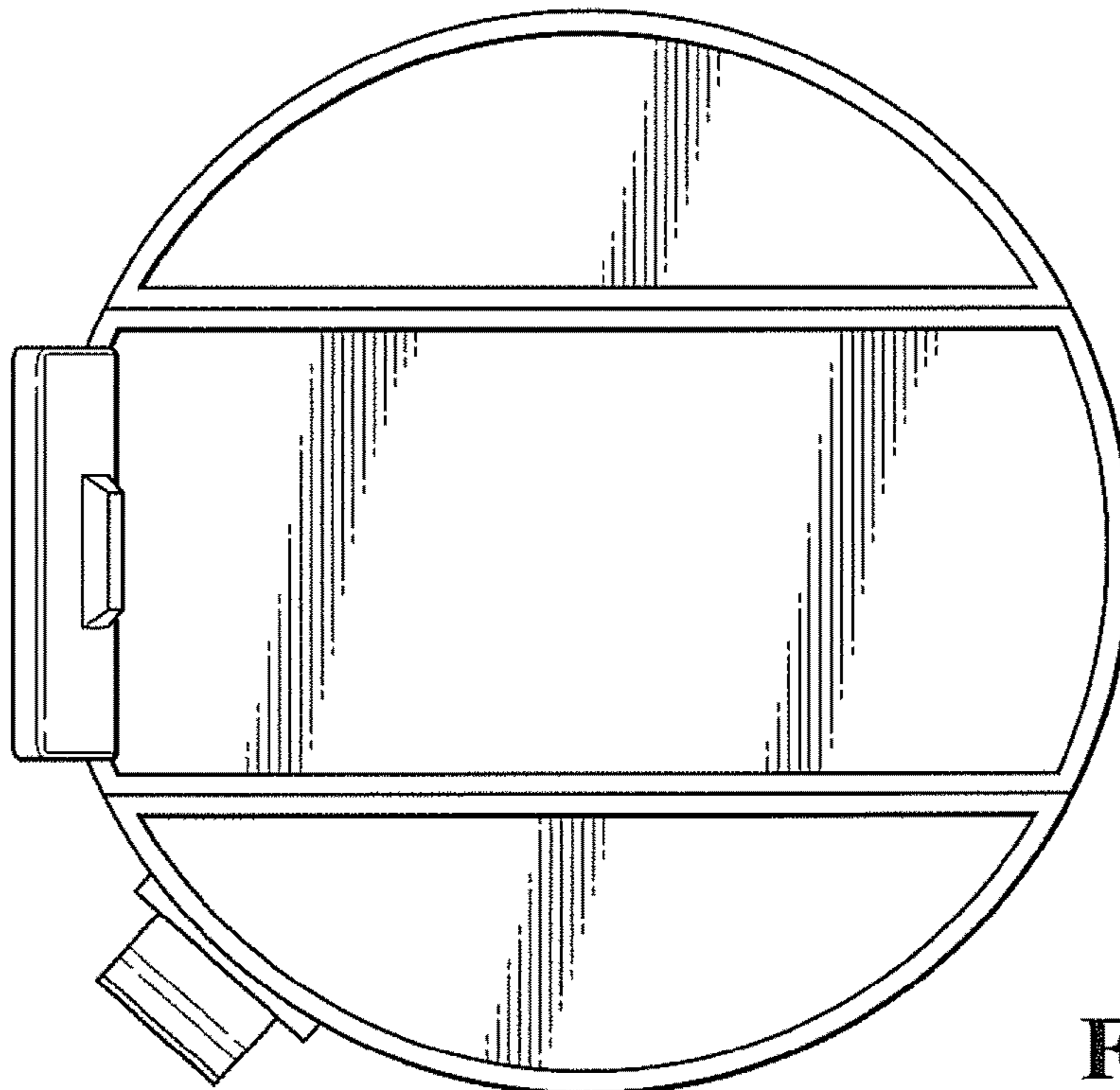


FIG. 7