



US00D647937S

(12) **United States Design Patent**
Raken et al.

(10) **Patent No.:** **US D647,937 S**

(45) **Date of Patent:** **** Nov. 1, 2011**

(54) **ELECTRONIC CAMERA**

(75) Inventors: **Jan Raken**, Seattle, WA (US);
Katherine Bailey, Seattle, WA (US)
(73) Assignee: **Microsoft Corporation**, Redmond, WA
(US)

(**) Term: **14 Years**

(21) Appl. No.: **29/357,719**

(22) Filed: **Mar. 16, 2010**

(51) **LOC (9) Cl.** **16-01**

(52) **U.S. Cl.** **D16/203**

(58) **Field of Classification Search** D16/200–204,
D16/208, 218, 219; 348/333.01, 373–376;
358/906; 396/533–541

See application file for complete search history.

(56) **References Cited**

U.S. PATENT DOCUMENTS

D403,888	S	*	1/1999	Hutton	D6/437
7,221,402	B2	*	5/2007	Cheng	348/375
D547,346	S	*	7/2007	Ollila	D16/203
D557,310	S		12/2007	Fisher et al.		
D557,320	S		12/2007	Fisher et al.		
D557,321	S		12/2007	Fisher et al.		
D557,720	S	*	12/2007	Shimizu	D16/202
D567,278	S		4/2008	Kim		
D569,888	S		5/2008	Kim		
D576,654	S		9/2008	Kim et al.		
D581,441	S		11/2008	Kim		
D581,960	S		12/2008	Kim et al.		
D592,233	S		5/2009	Kim et al.		
D592,234	S		5/2009	Kim et al.		
D595,328	S		6/2009	Kim et al.		
D600,732	S		9/2009	Kim		
D600,733	S		9/2009	Kim		
D606,106	S		12/2009	Kim et al.		

OTHER PUBLICATIONS

U.S. Appl. No. 29/317,456, filed Apr. 30, 2008.
U.S. Appl. No. 29/342,094, filed Aug. 18, 2009.
U.S. Appl. No. 29/346,969, filed Nov. 9, 2009.
U.S. Appl. No. 29/346,970, filed Nov. 9, 2009.
U.S. Appl. No. 29/346,971, filed Nov. 9, 2009.

* cited by examiner

Primary Examiner — Nanda Bondade

(74) *Attorney, Agent, or Firm* — Banner & Witcoff, Ltd.

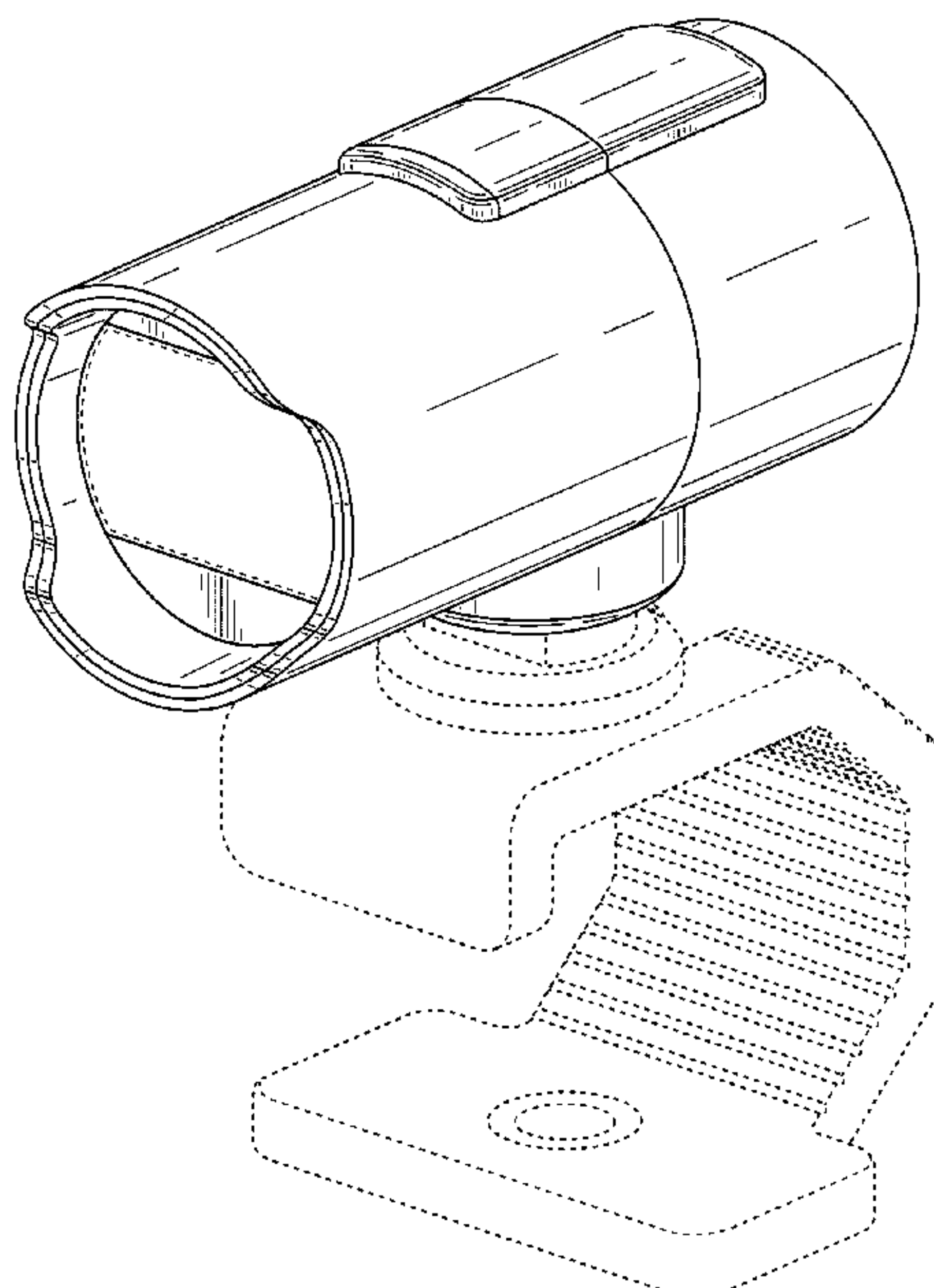
(57) **CLAIM**

The ornamental design for an electronic camera, as shown and described.

DESCRIPTION

FIG. 1 is a front perspective view of an electronic camera showing our new design;
FIG. 2 is a front view thereof;
FIG. 3 is a rear view thereof;
FIG. 4 is a right side view thereof;
FIG. 5 is a left side view thereof;
FIG. 6 is a top view thereof;
FIG. 7 is a bottom view thereof;
FIG. 8 is a front perspective view of the electronic camera of FIGS. 1-7 shown in isolation without the disclaimed support and with additional disclaimed features;
FIG. 9 is a front view thereof;
FIG. 10 is a rear view thereof;
FIG. 11 is a right side view thereof;
FIG. 12 is a left side view thereof;
FIG. 13 is a top view thereof; and,
FIG. 14 is a bottom view thereof.
The broken line showing of portions of the electronic camera in FIGS. 1-14 and the support in FIGS. 1-7 is for environmental purposes only and forms no part of the claimed design.

1 Claim, 12 Drawing Sheets



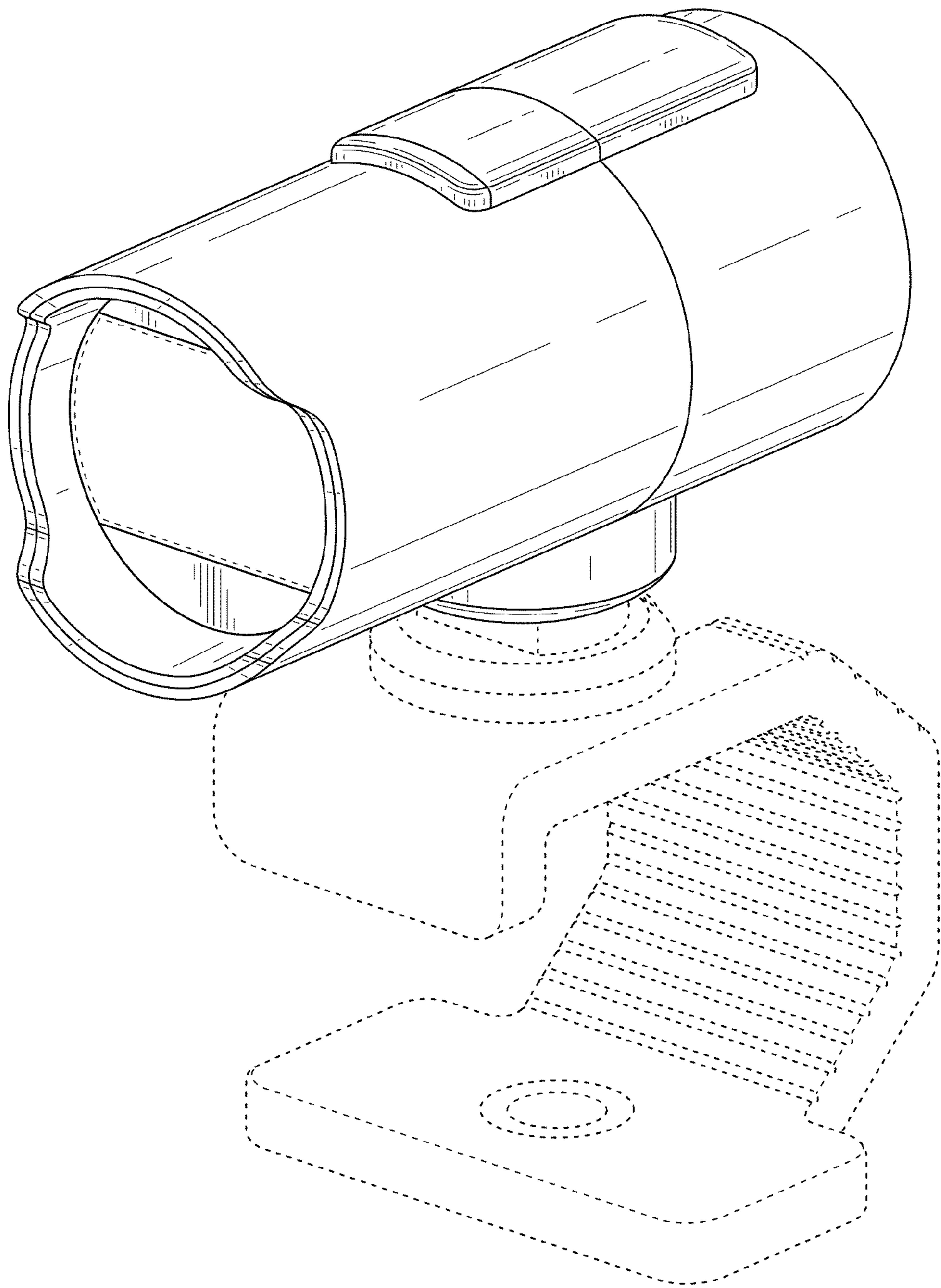


FIG. 1

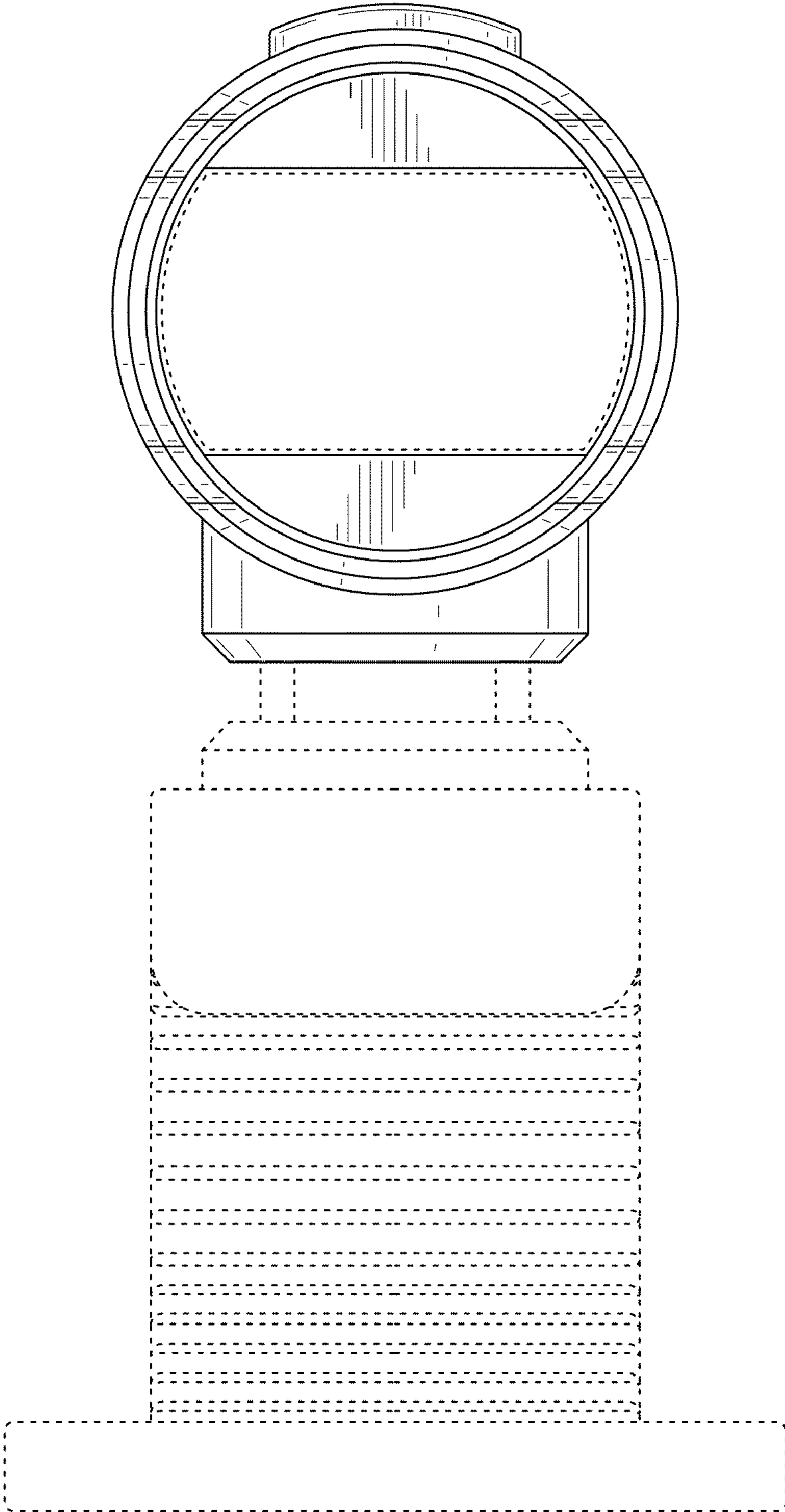


FIG. 2

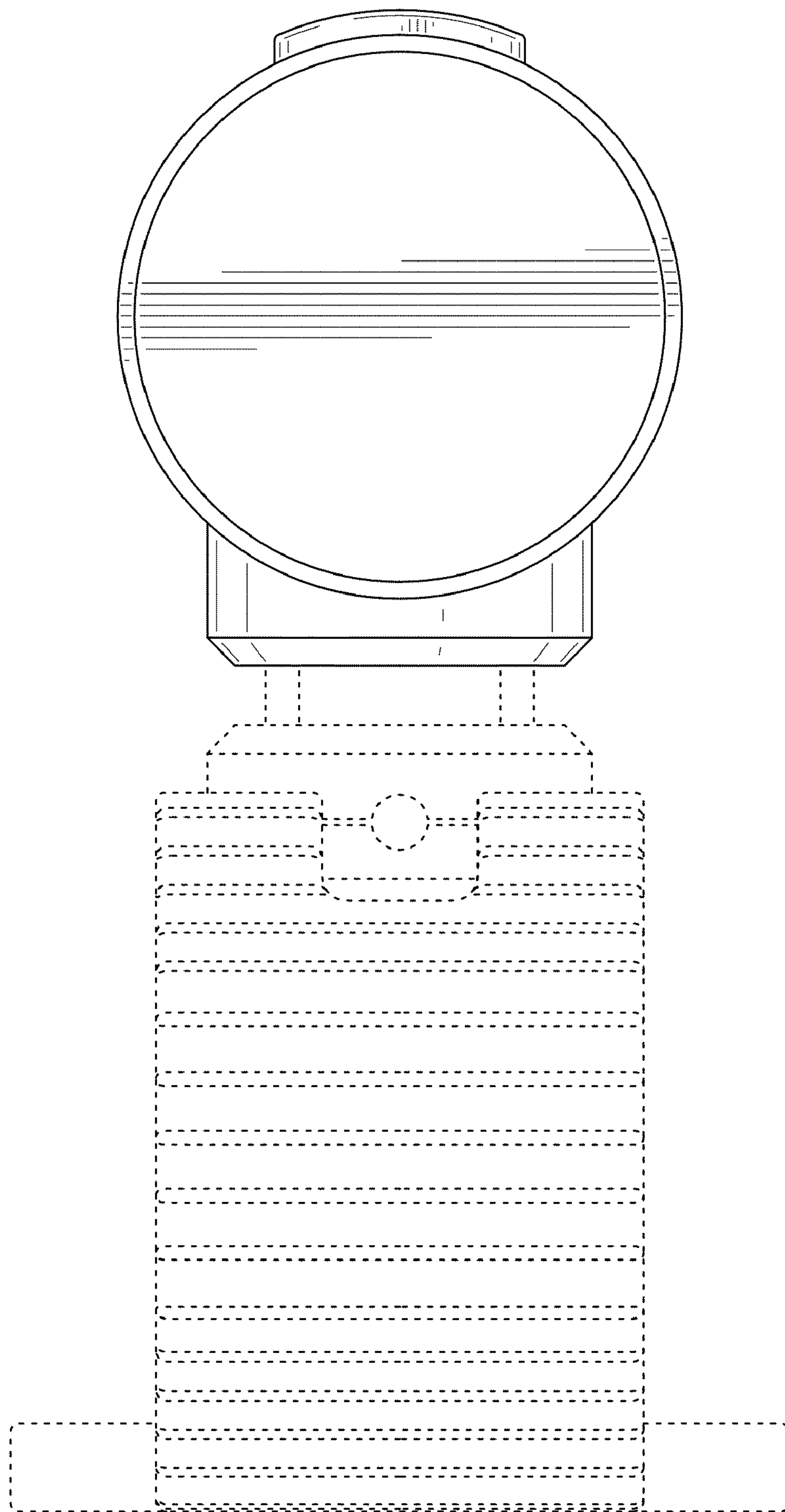


FIG. 3

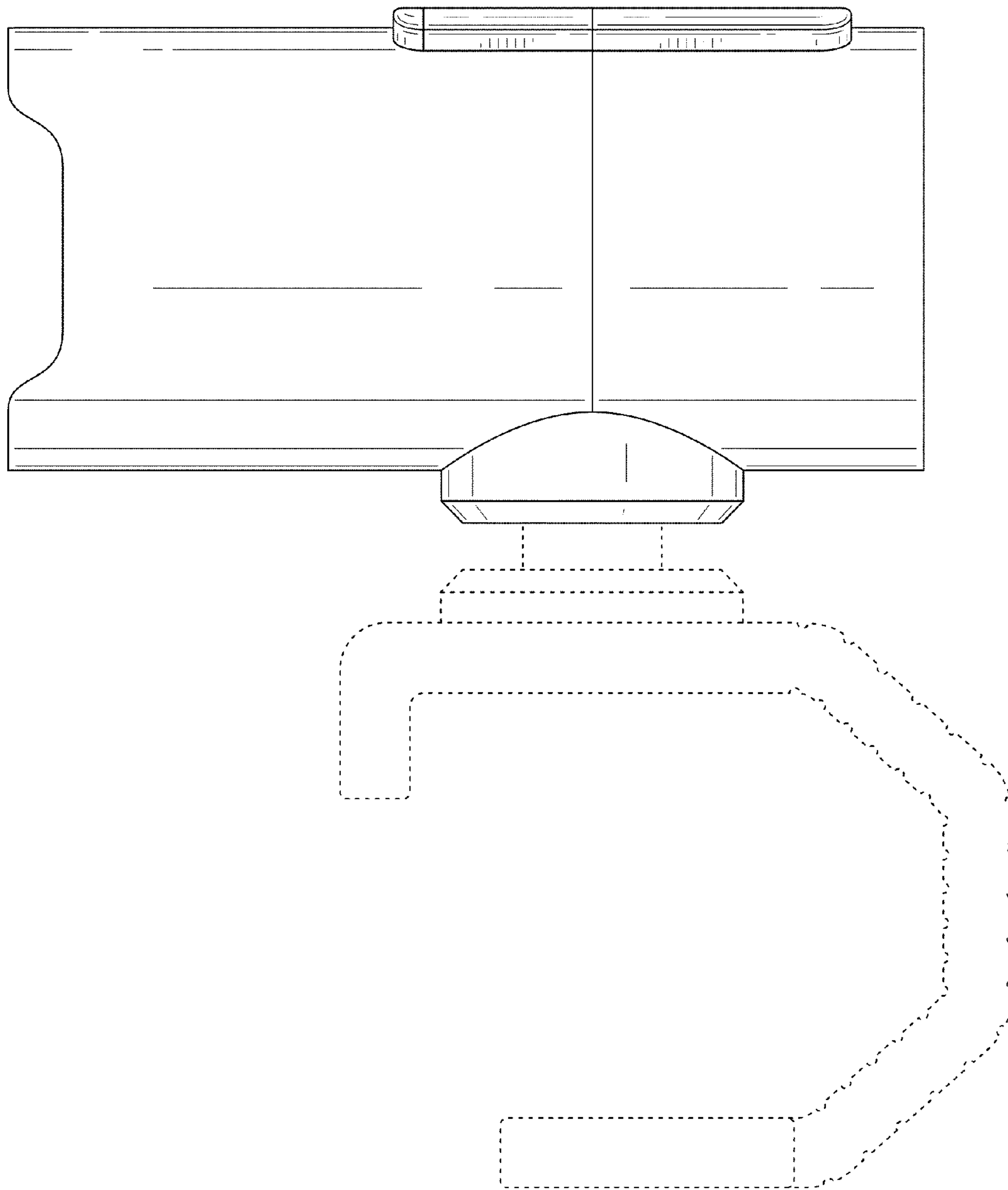


FIG. 4

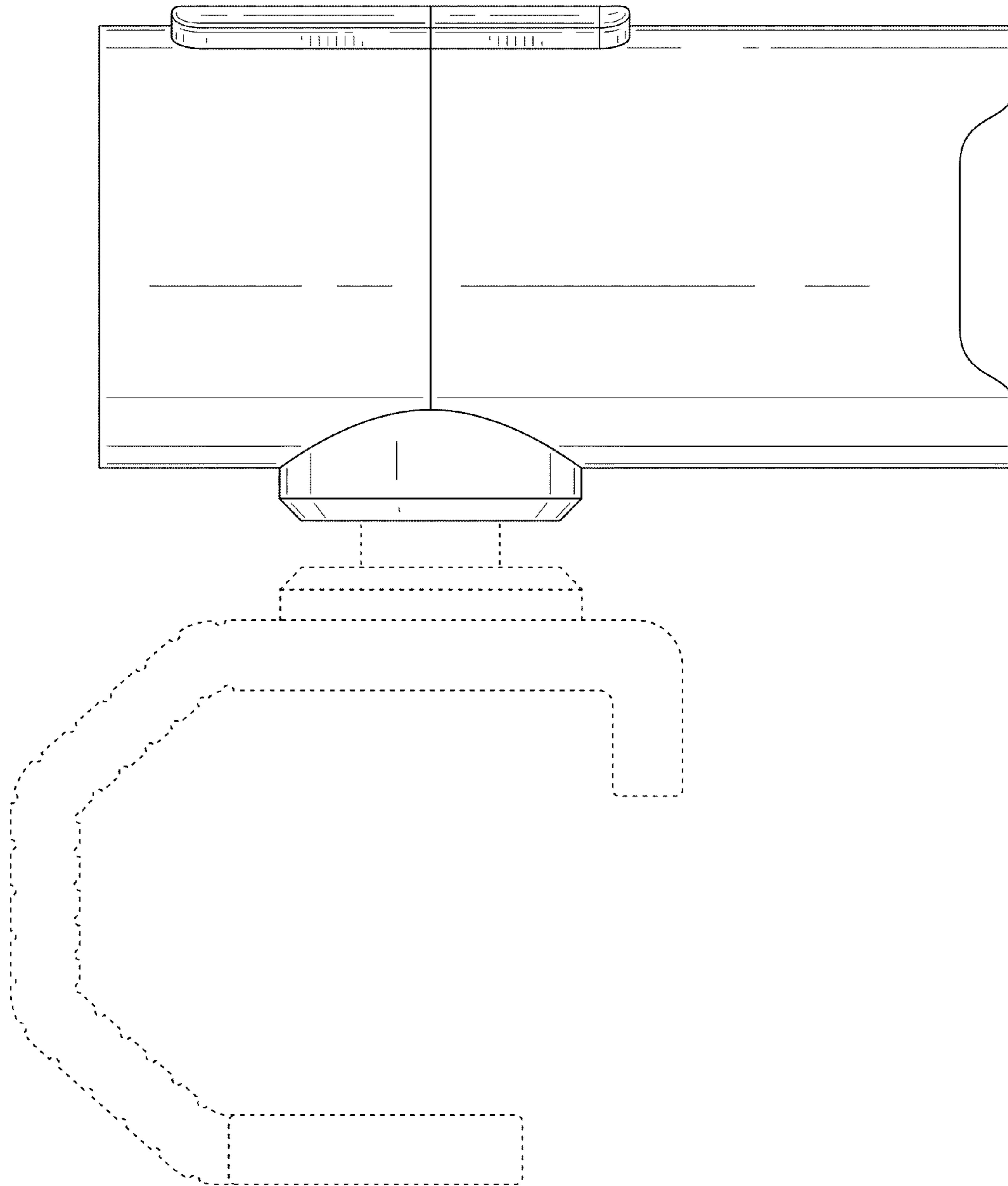


FIG. 5

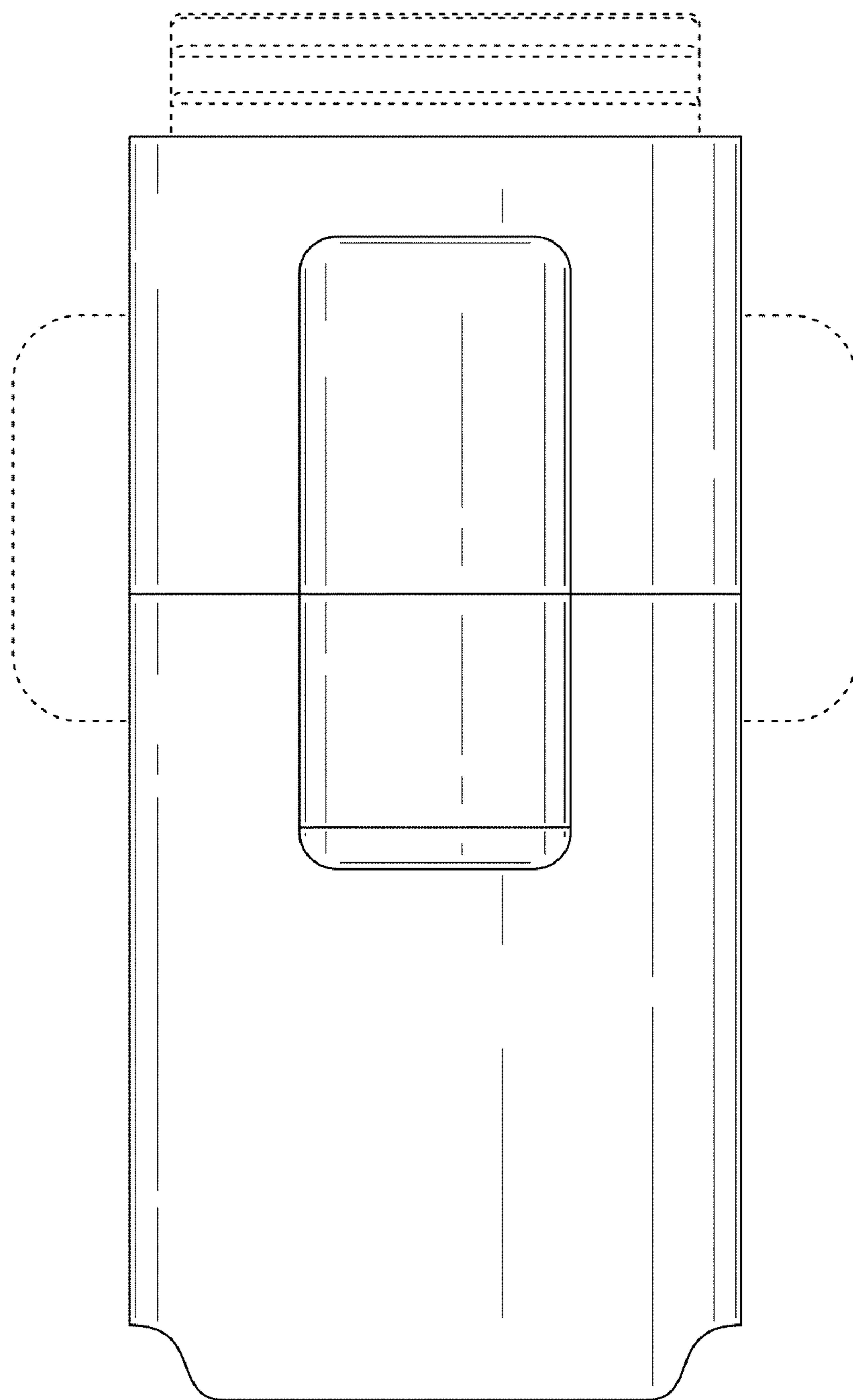


FIG. 6

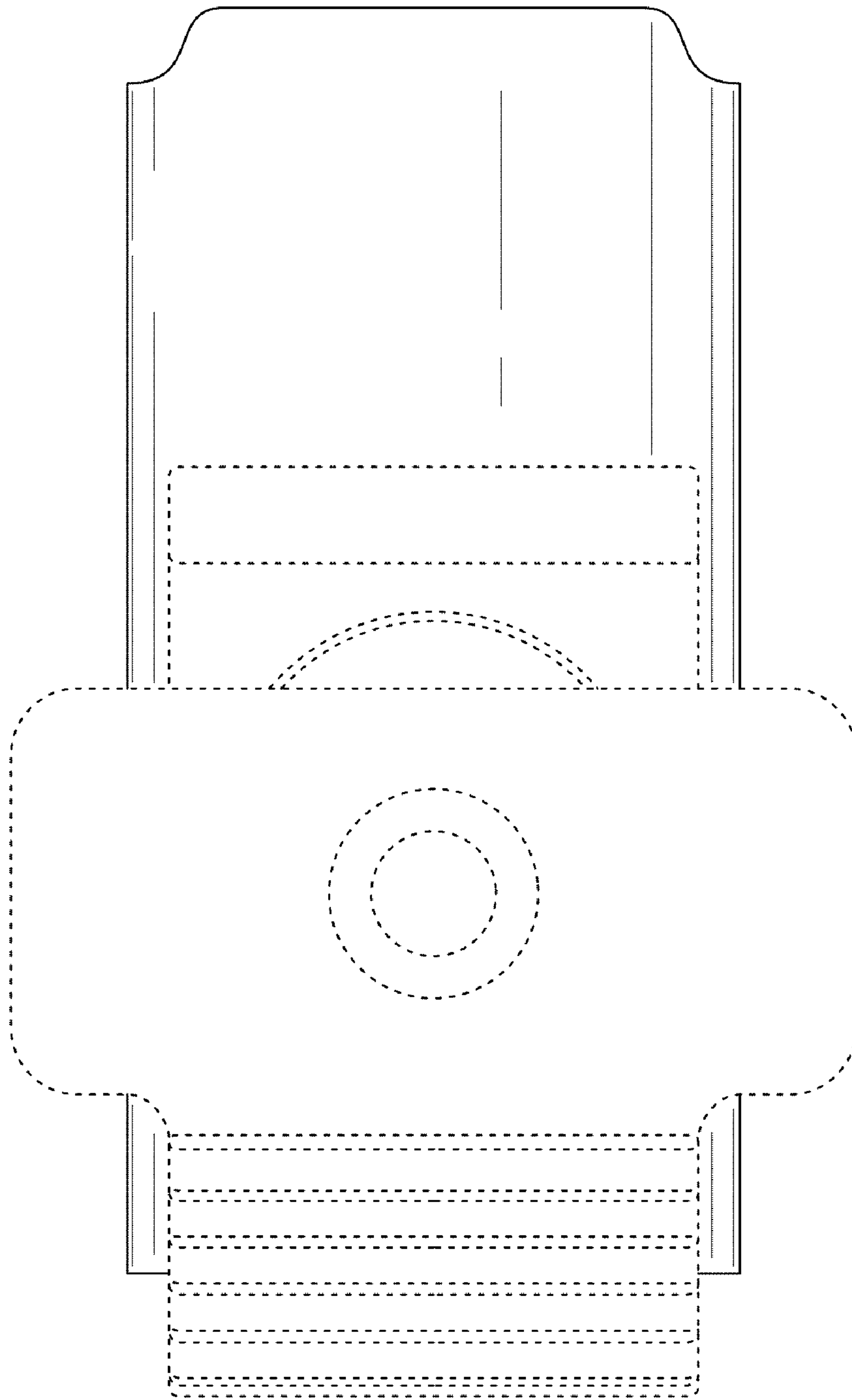


FIG. 7

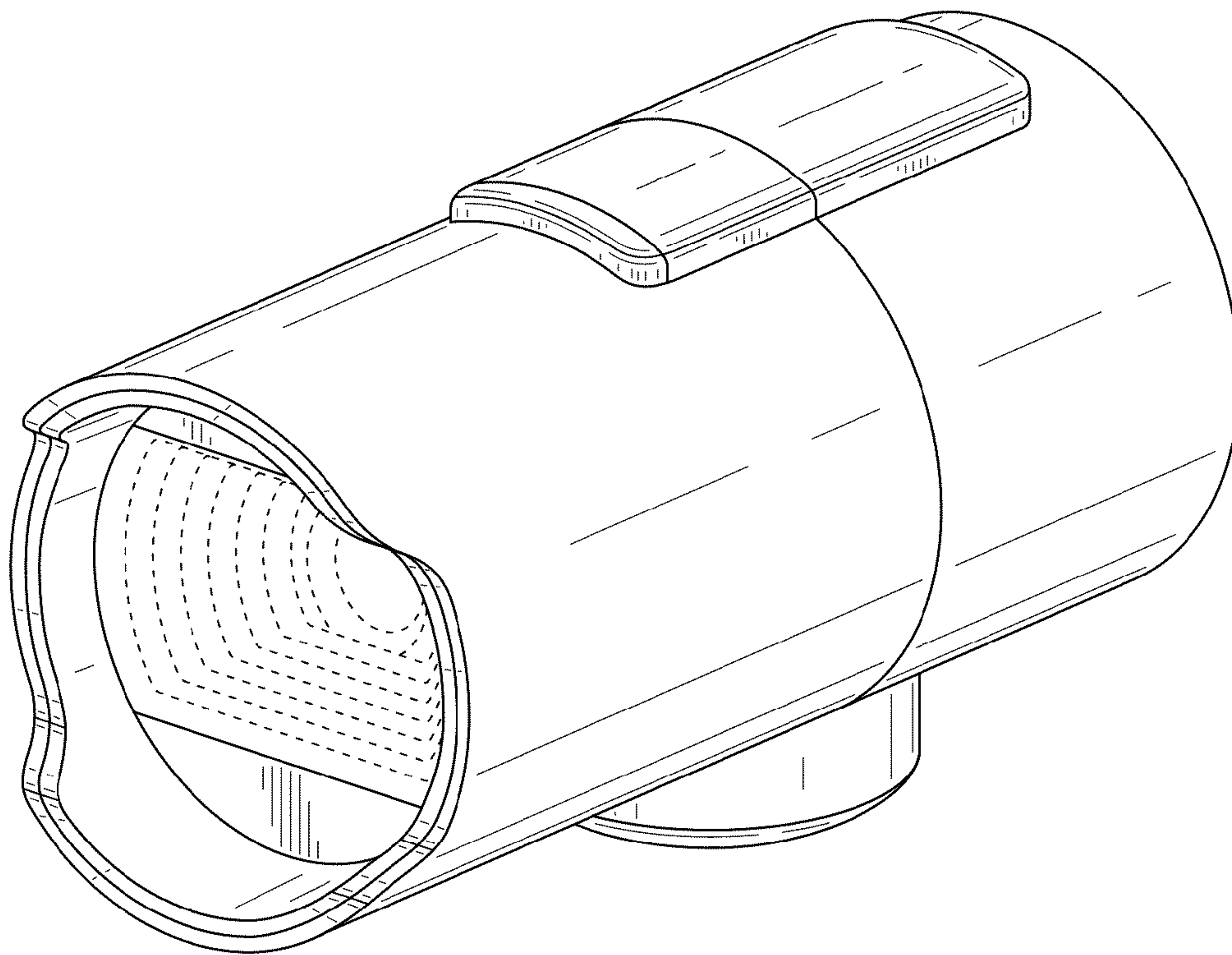


FIG. 8

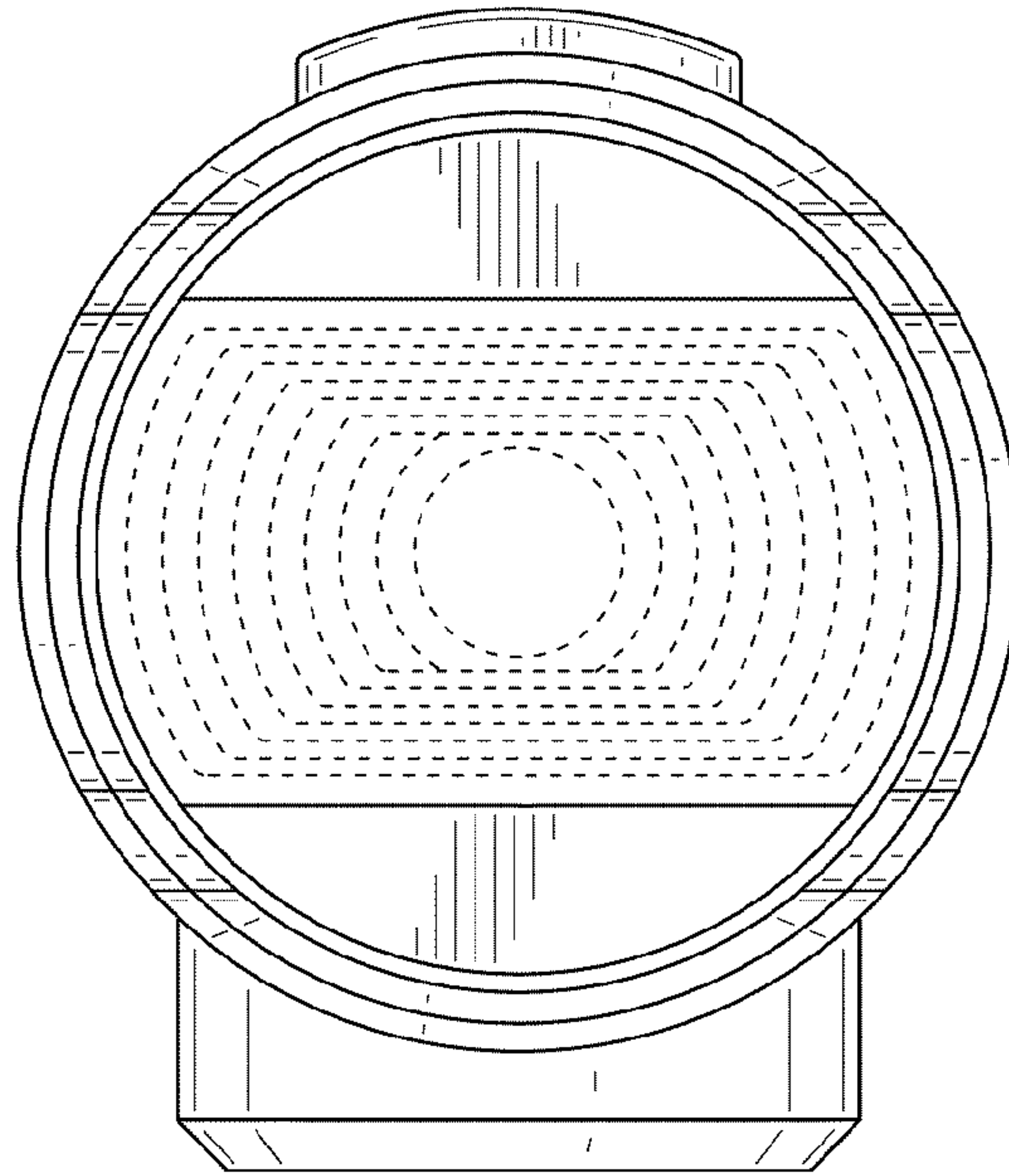


FIG. 9

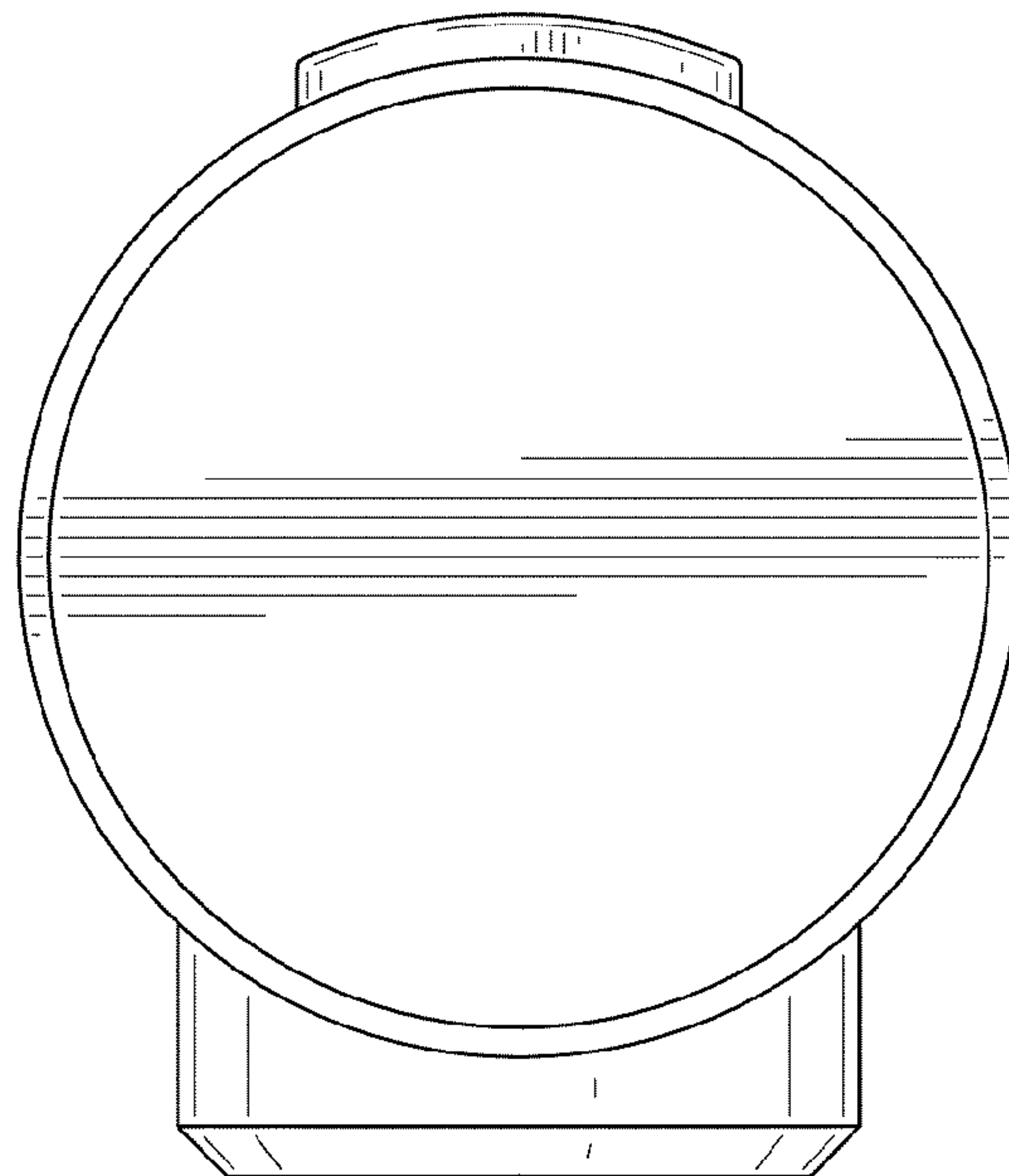


FIG. 10

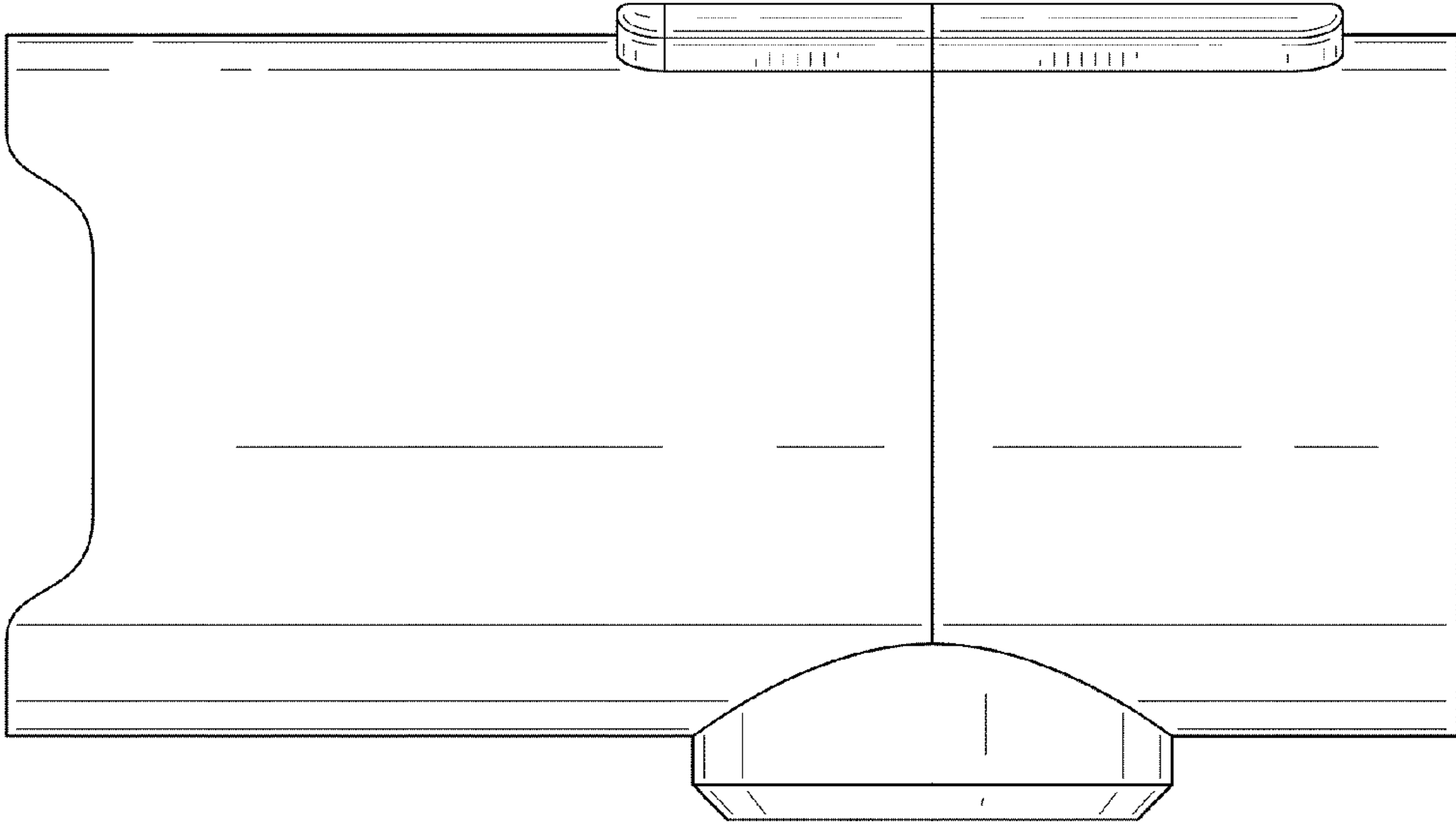


FIG. 11

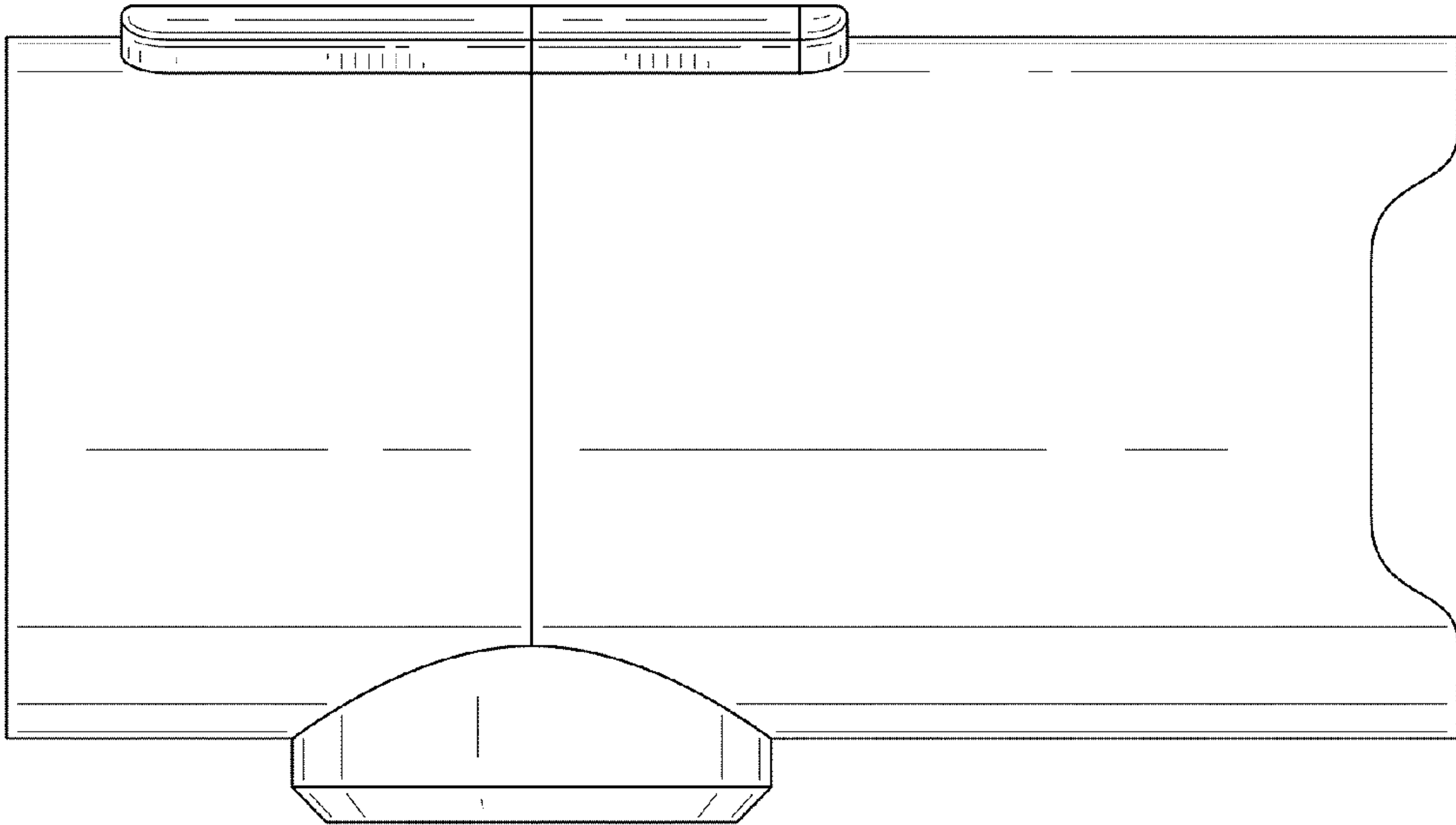


FIG. 12

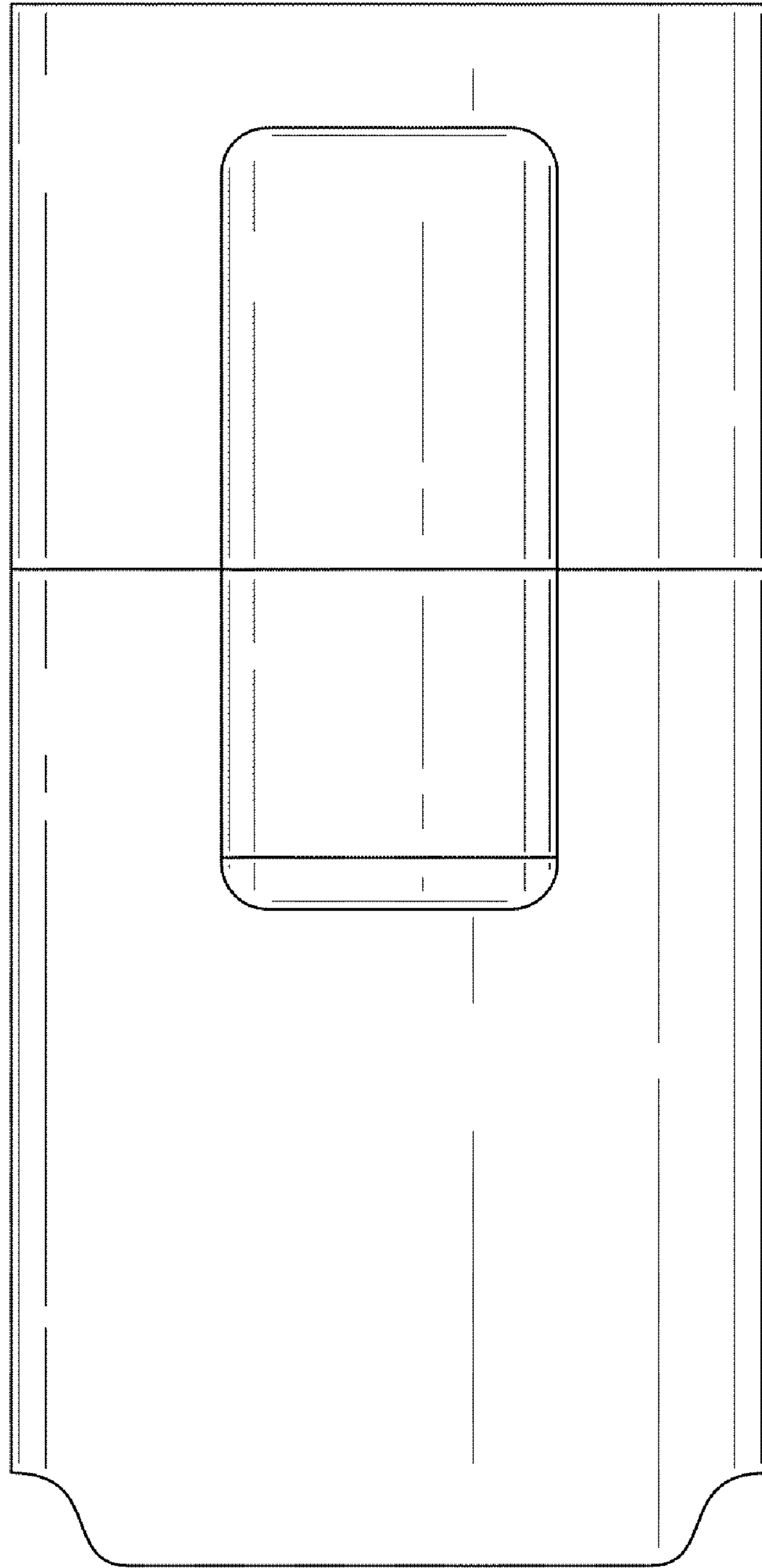


FIG. 13

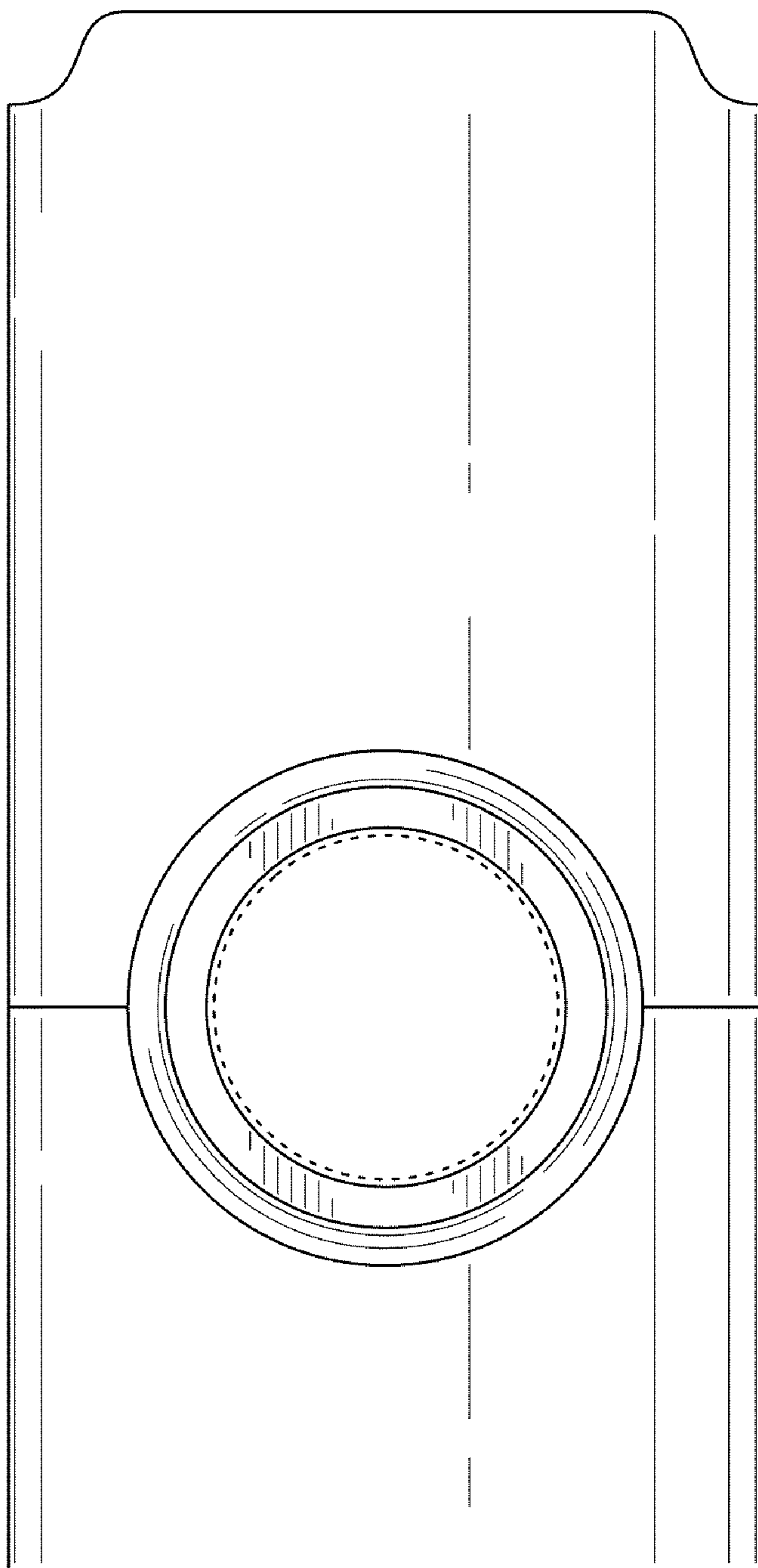


FIG. 14