

US00D647936S

(12) **United States Design Patent**
Tanifuji et al.

(10) **Patent No.:** **US D647,936 S**

(45) **Date of Patent:** **** Nov. 1, 2011**

(54) **CAMCORDER**

(75) Inventors: **Shuji Tanifuji**, Yokohamashi (JP);
Akihiko Miyamori, Yokohamashi (JP)

(73) Assignee: **Victor Company of Japan, Limited**,
Yokohama-Shi, Kanagawa (JP)

(**) Term: **14 Years**

(21) Appl. No.: **29/385,099**

(22) Filed: **Feb. 9, 2011**

(30) **Foreign Application Priority Data**

Aug. 25, 2010 (JP) D2010-020484

(51) **LOC (9) Cl.** **16-01**

(52) **U.S. Cl.** **D16/202**

(58) **Field of Classification Search** D16/200–205,
D16/208, 218; 348/373–376; 358/906;
396/535–541

See application file for complete search history.

(56) **References Cited**

U.S. PATENT DOCUMENTS

4,283,743 A * 8/1981 Kaiser 348/373
4,394,692 A * 7/1983 Randmae et al. 348/374
D307,915 S * 5/1990 Kuester, III D16/203
6,219,489 B1 * 4/2001 Ohta et al. 348/333.1
6,683,654 B1 * 1/2004 Haijima 348/374

6,728,480 B1 * 4/2004 Maeda et al. 348/373
D529,063 S * 9/2006 Cheng D16/203
D549,261 S * 8/2007 Hayashi et al. D16/202
D556,804 S * 12/2007 Ishida D16/202
D563,450 S * 3/2008 Cheng D16/203
D612,408 S * 3/2010 Yamakawa D16/203
D642,607 S * 8/2011 Bergstrom et al. D16/203

* cited by examiner

Primary Examiner — Adir Aronovich

(74) *Attorney, Agent, or Firm* — The Nath Law Group;
Jerald L. Meyer; Derek Richmond

(57) **CLAIM**

The ornamental design for a camcorder, as shown and described.

DESCRIPTION

FIG. 1 is a front perspective view of a camcorder;
FIG. 2 is a rear perspective view thereof;
FIG. 3 is a rear perspective view thereof showing the article with its monitor panel opened
FIG. 4 is a front elevational view thereof;
FIG. 5 is a rear elevational view thereof;
FIG. 6 is a left side elevational view thereof;
FIG. 7 is a right side elevational view thereof;
FIG. 8 is a top plan view thereof; and,
FIG. 9 is a bottom plan view thereof.

The broken lines showing on the drawing disclosure are for illustrative purposes only and form no part of the claimed design.

1 Claim, 7 Drawing Sheets

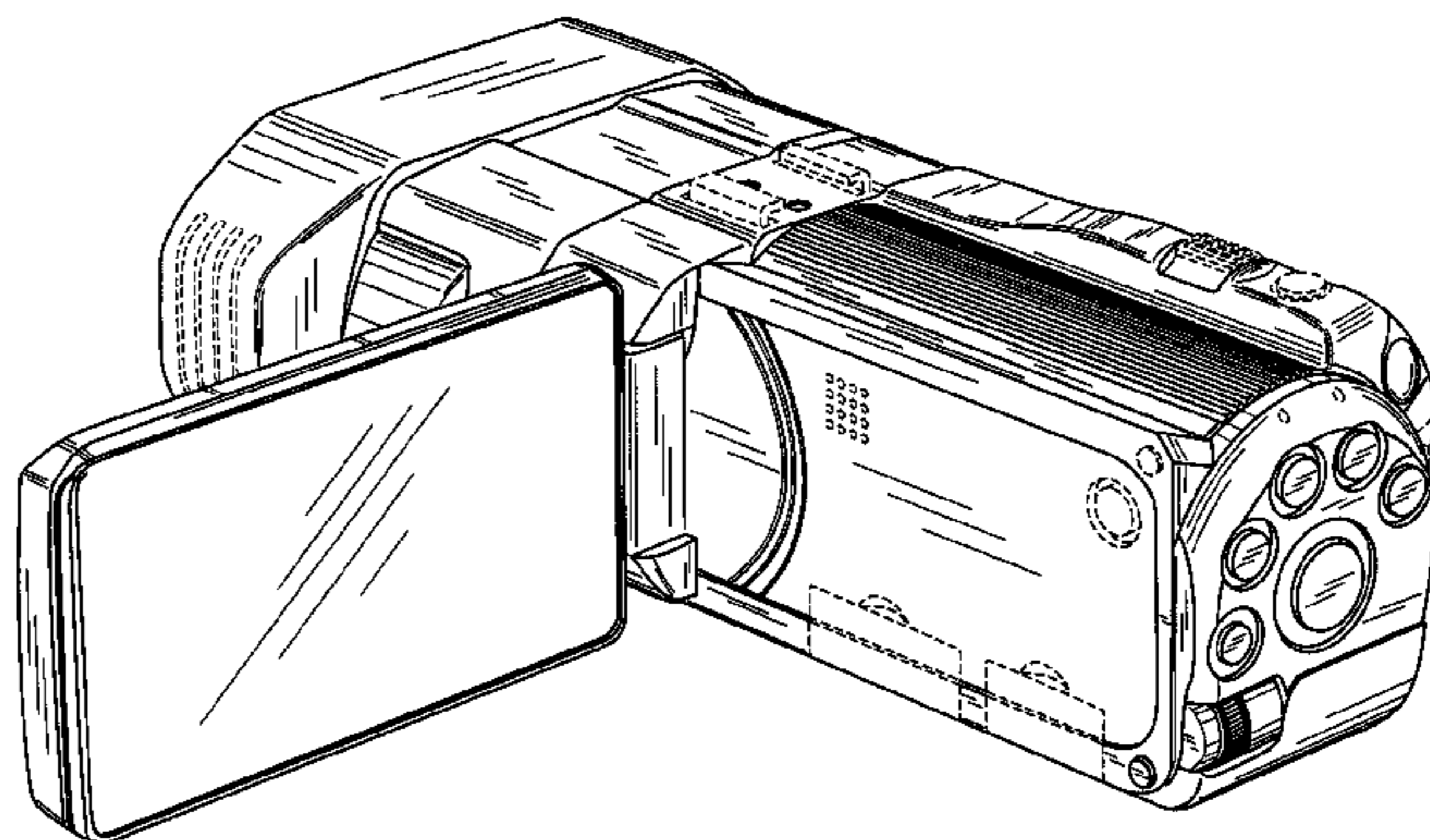
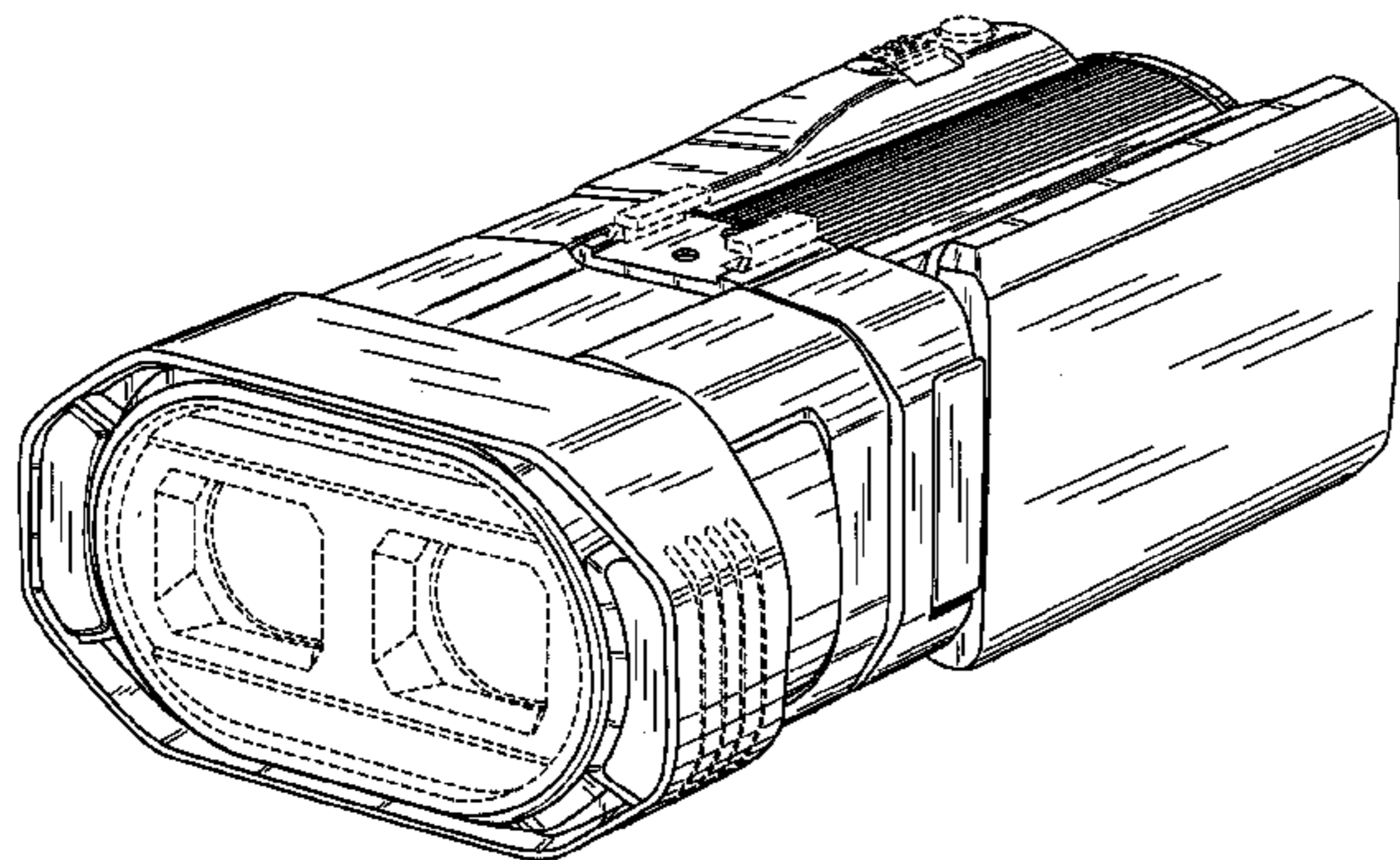


Fig. 1

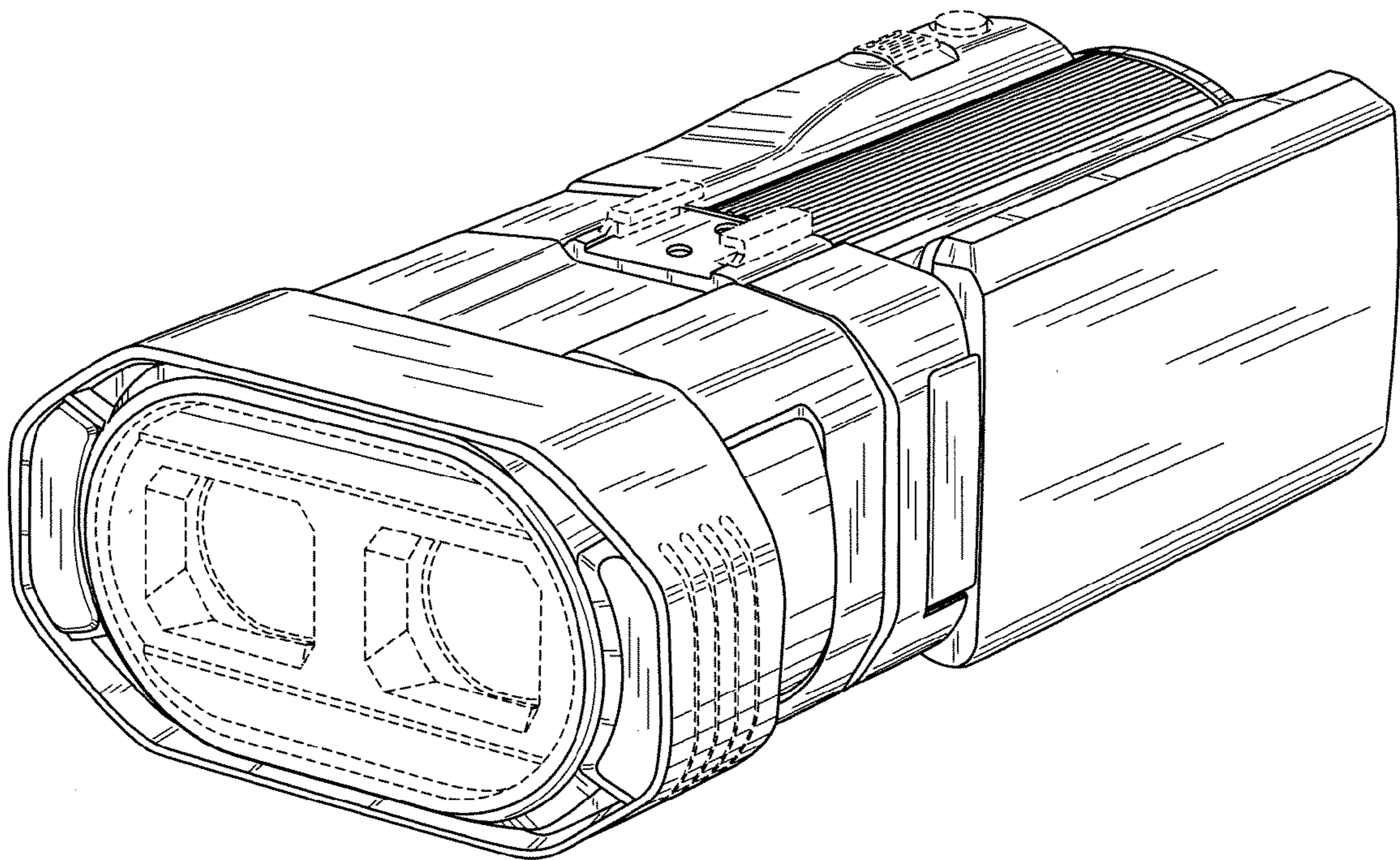


Fig.2

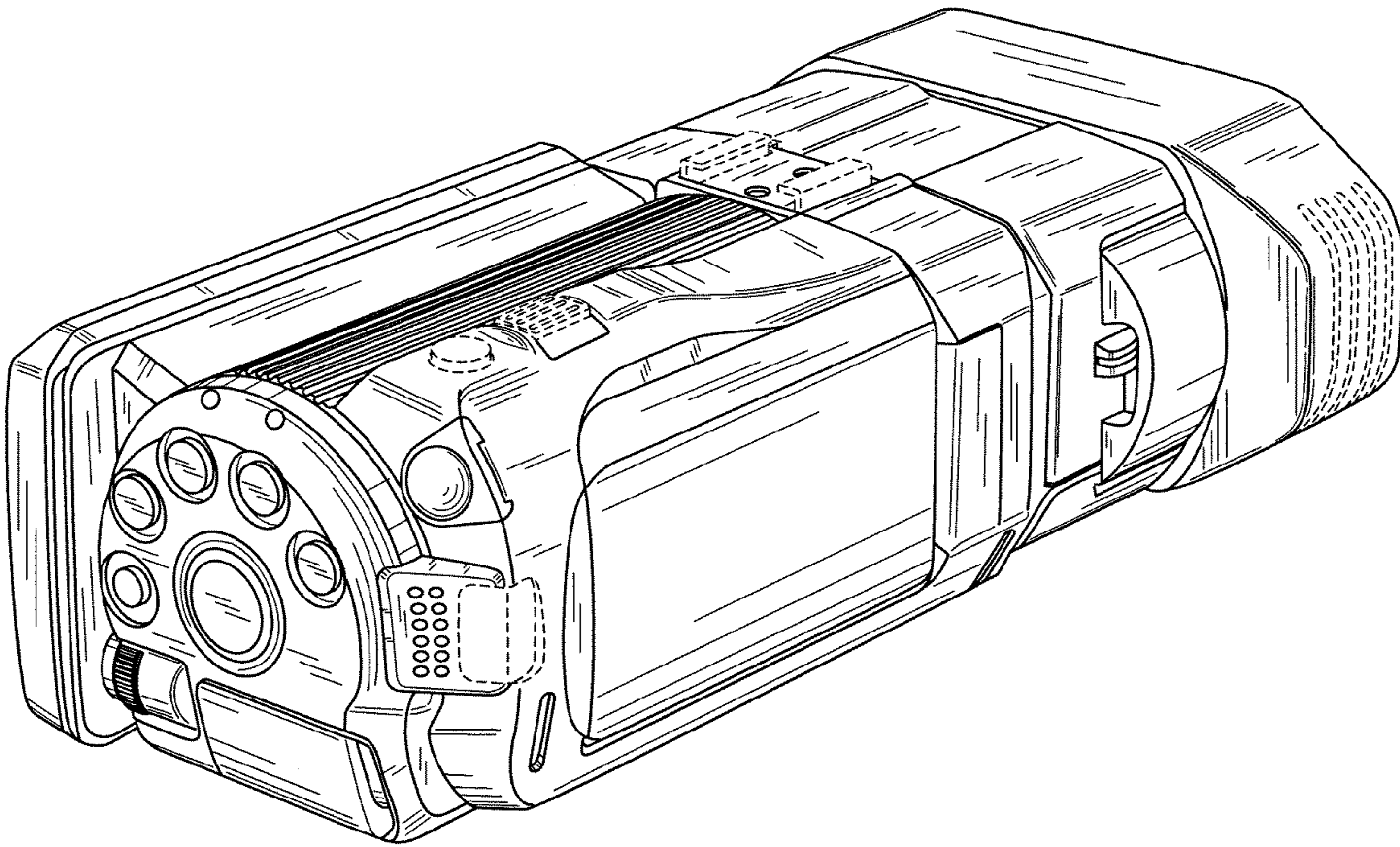


Fig.3

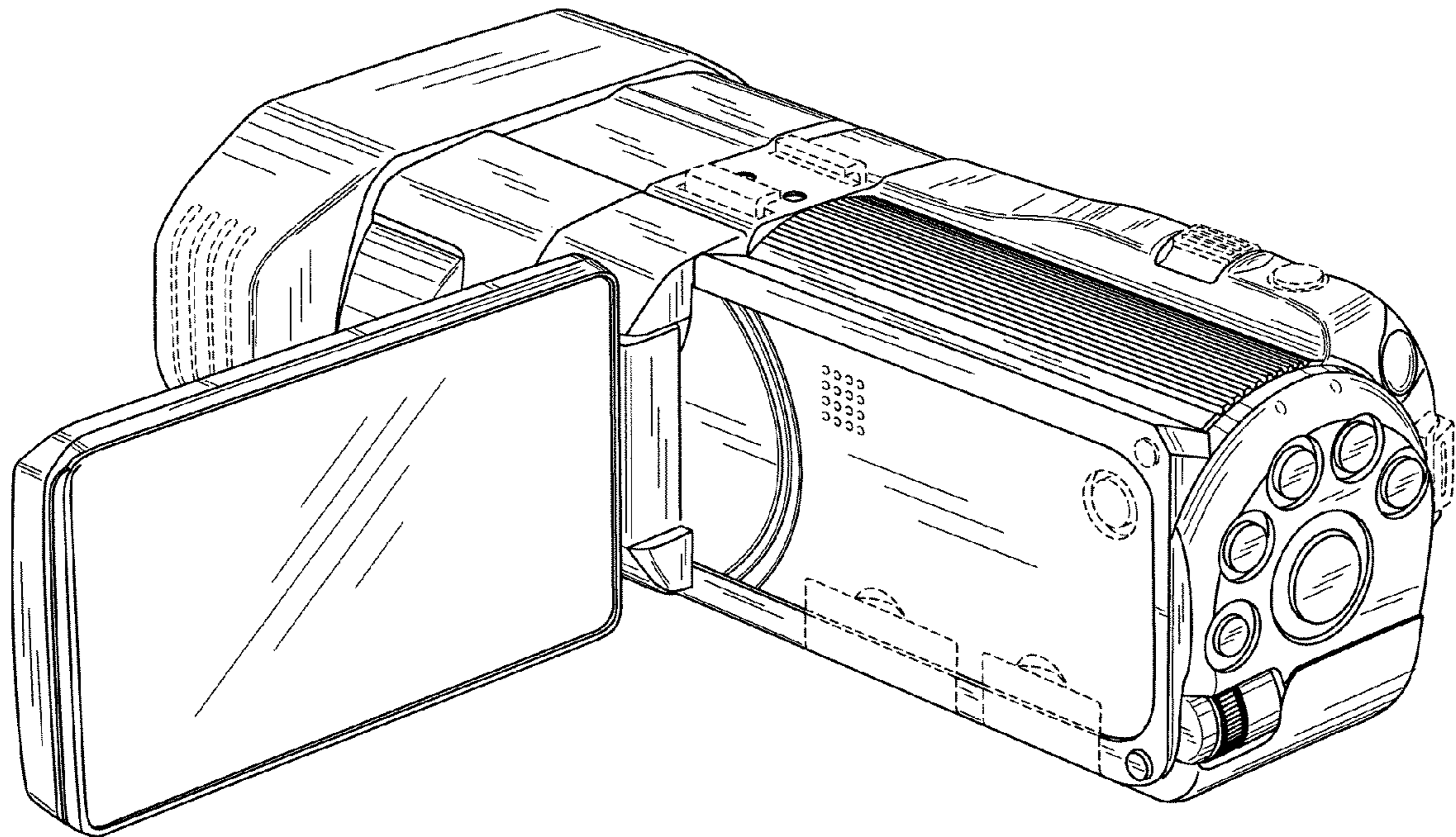


Fig.4

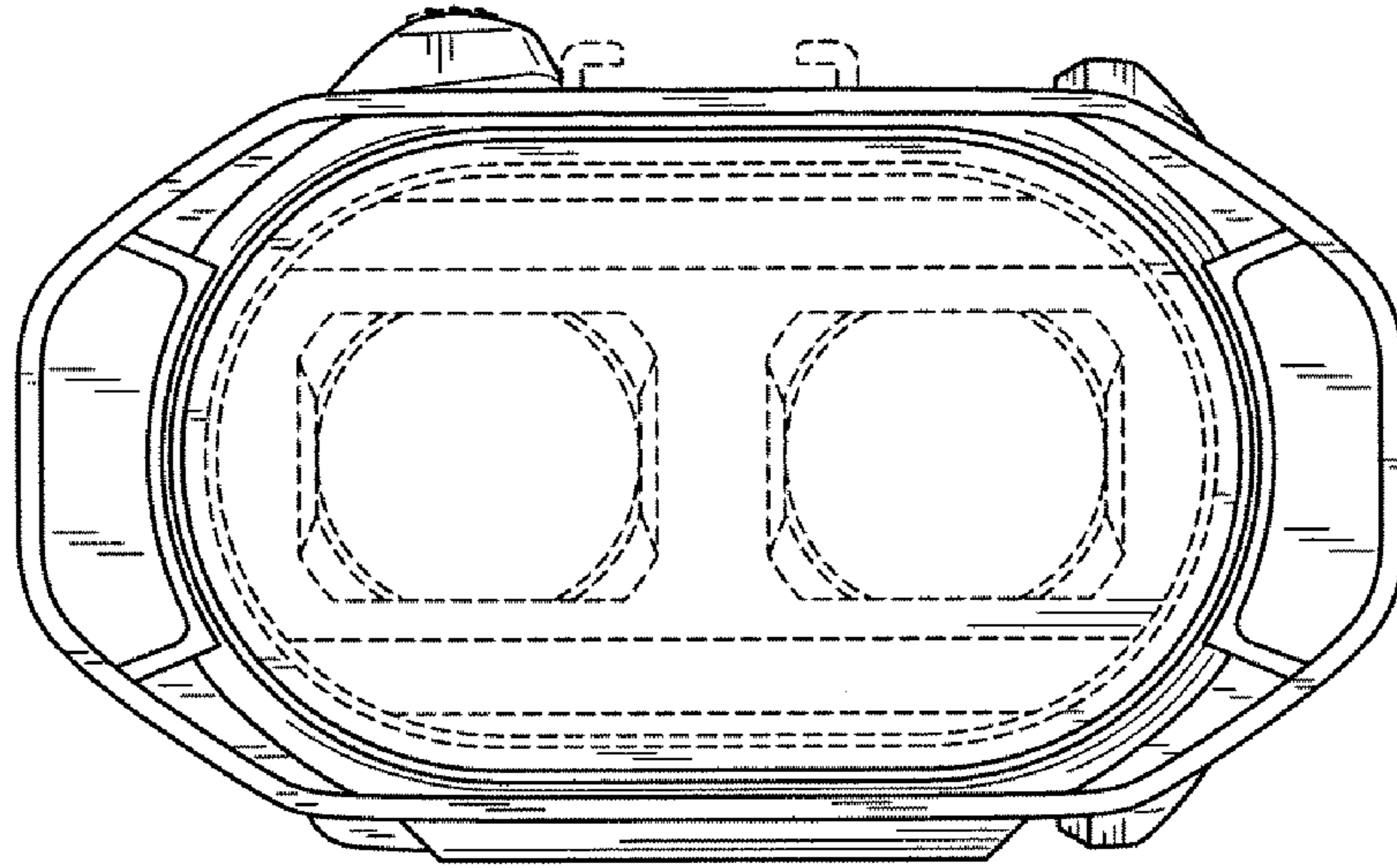


Fig.5

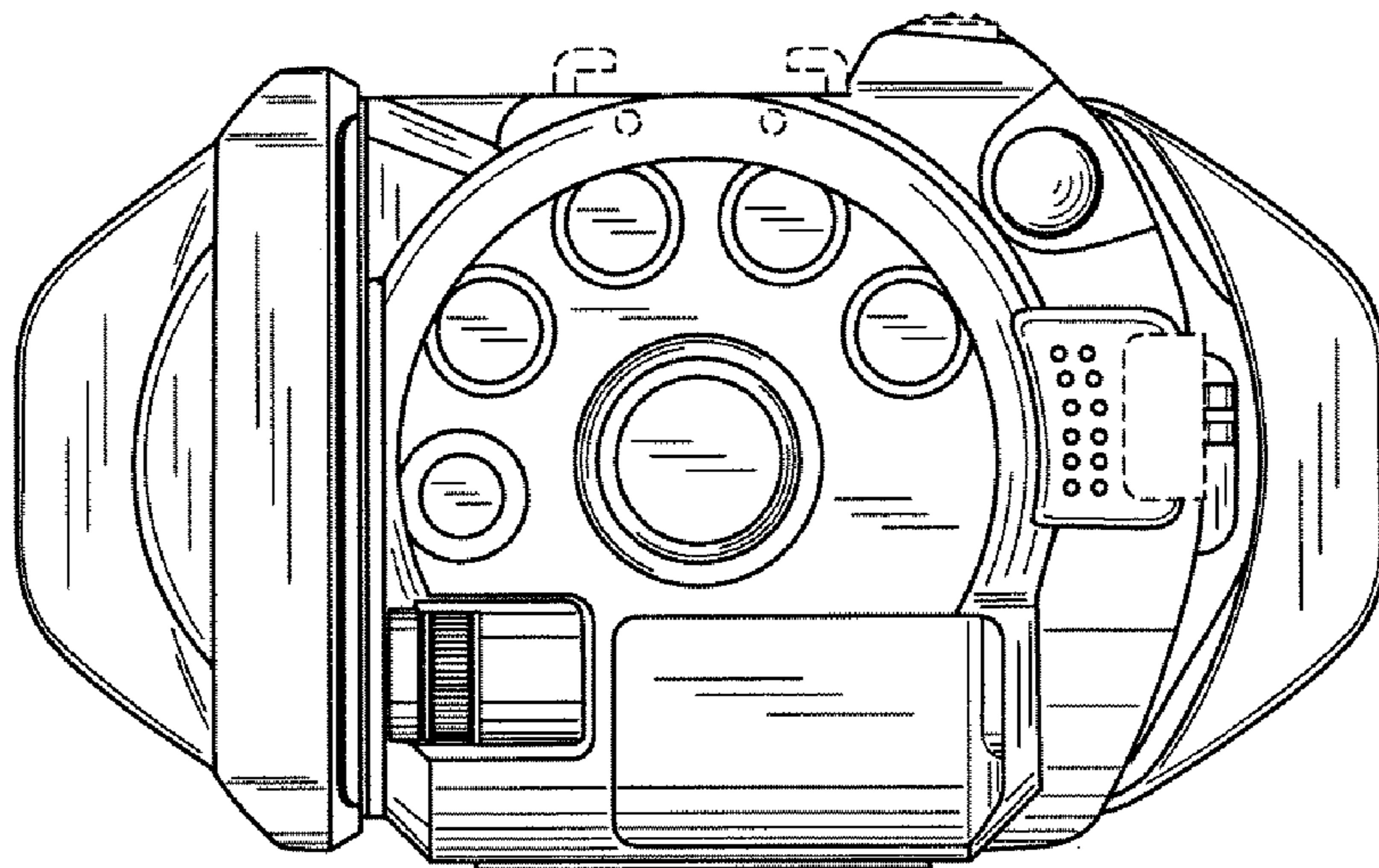


Fig.6

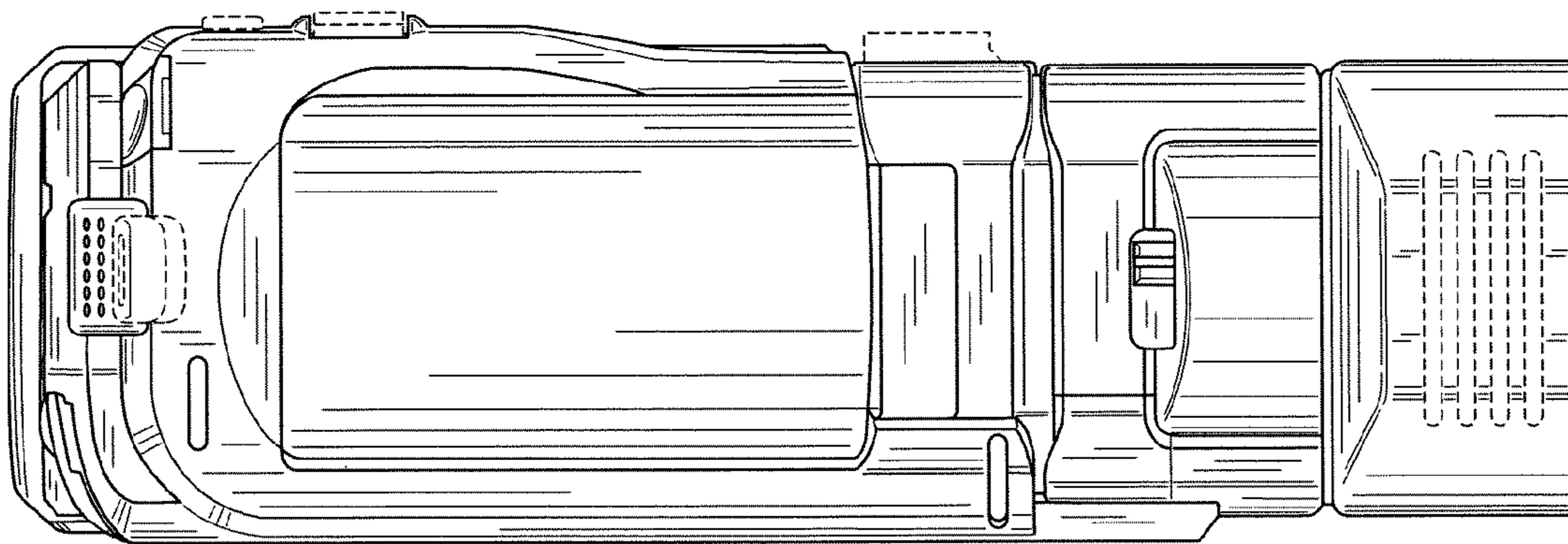


Fig.7

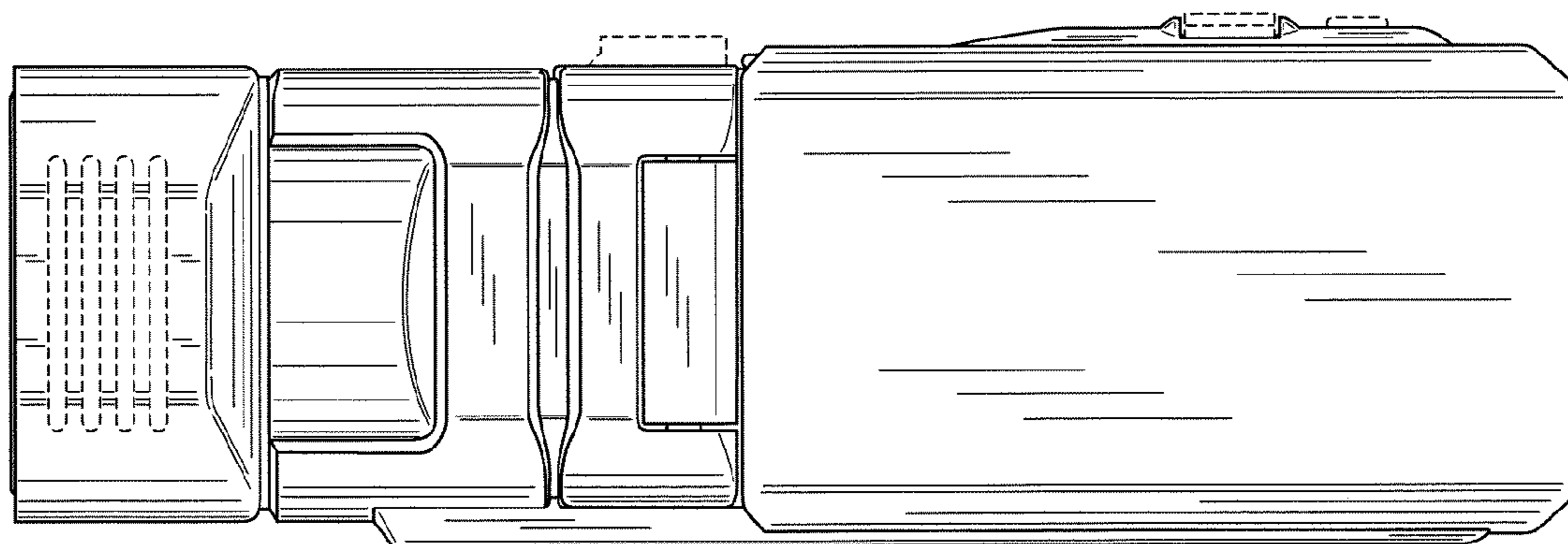


Fig.8

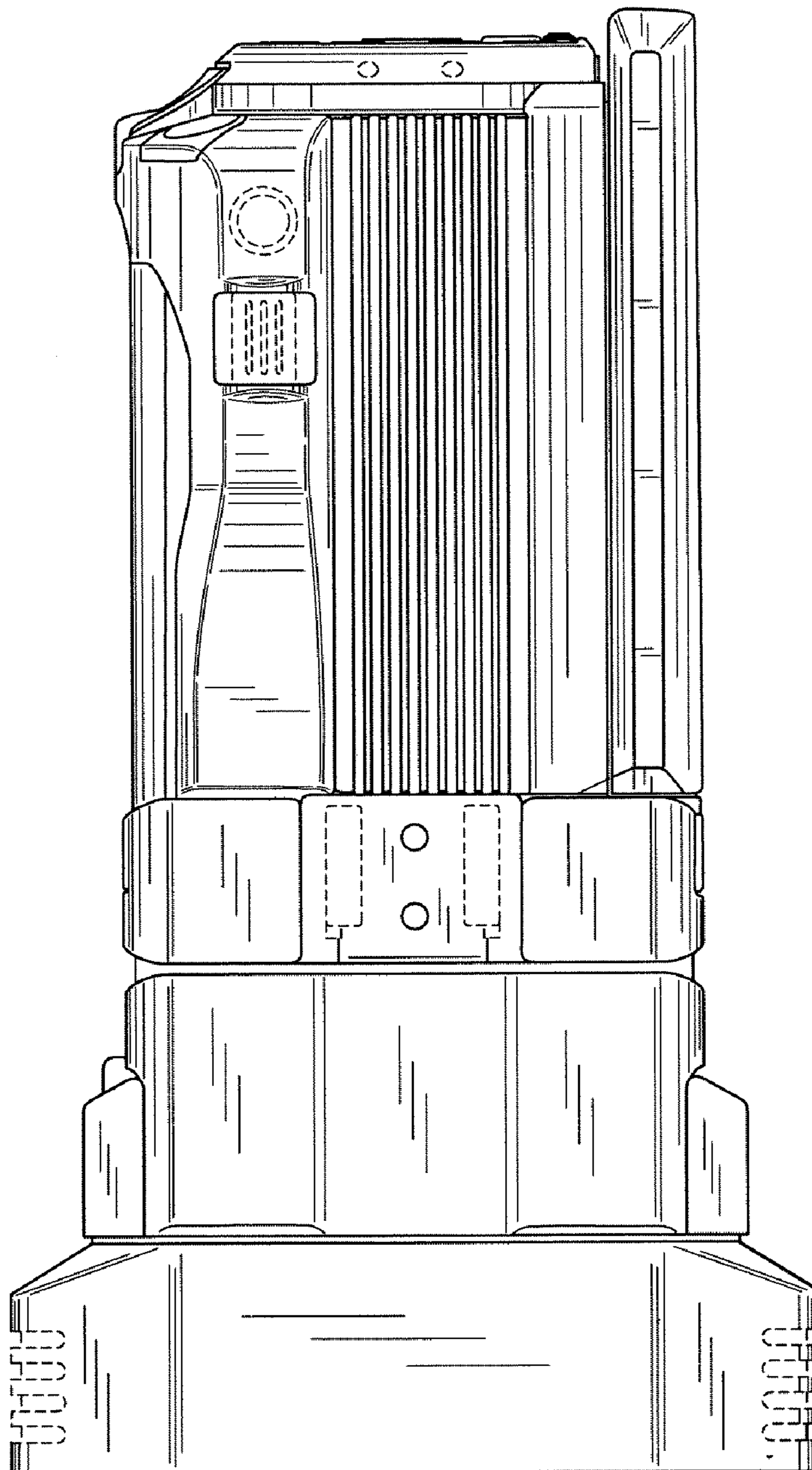


Fig.9

