



US00D647934S

(12) **United States Design Patent**  
**Raken et al.**

(10) **Patent No.:** **US D647,934 S**  
(45) **Date of Patent:** **\*\* Nov. 1, 2011**

(54) **ELECTRONIC CAMERA**

(75) Inventors: **Jan Raken**, Seattle, WA (US);  
**Katherine Bailey**, Seattle, WA (US)

(73) Assignee: **Microsoft Corporation**, Redmond, WA  
(US)

(\*\*) Term: **14 Years**

(21) Appl. No.: **29/357,028**

(22) Filed: **Mar. 5, 2010**

(51) **LOC (9) Cl.** ..... **16-01**

(52) **U.S. Cl.** ..... **D16/202**

(58) **Field of Classification Search** ..... D16/200–204,  
D16/208, 218, 219; 348/333.01, 373–376;  
358/906; 396/533–541

See application file for complete search history.

(56) **References Cited**

**U.S. PATENT DOCUMENTS**

D557,310 S	12/2007	Fisher et al.	
D557,320 S	12/2007	Fisher et al.	
D557,321 S	12/2007	Fisher et al.	
D567,278 S	4/2008	Kim	
D569,888 S	5/2008	Kim	
D576,654 S	9/2008	Kim et al.	
D581,441 S	11/2008	Kim	
D581,960 S	12/2008	Kim et al.	
D592,233 S	5/2009	Kim et al.	
D592,234 S	5/2009	Kim et al.	
D595,328 S	6/2009	Kim et al.	
D600,732 S	9/2009	Kim	
D600,733 S	9/2009	Kim	
D606,106 S	12/2009	Kim et al.	
2007/0297788 A1 *	12/2007	Wahl et al.	396/419
2009/0251585 A1 *	10/2009	Joseph	348/333.01

**OTHER PUBLICATIONS**

U.S. Appl. No. 29/317,456, filed Apr. 30, 2008.

U.S. Appl. No. 29/342,094, filed Aug. 18, 2009.  
U.S. Appl. No. 29/346,969, filed Nov. 9, 2009.  
U.S. Appl. No. 29/346,970, filed Nov. 9, 2009.  
U.S. Appl. No. 29/346,971, filed Nov. 9, 2009.

\* cited by examiner

*Primary Examiner* — Nanda Bondade

(74) *Attorney, Agent, or Firm* — Banner & Witcoff, Ltd.

(57) **CLAIM**

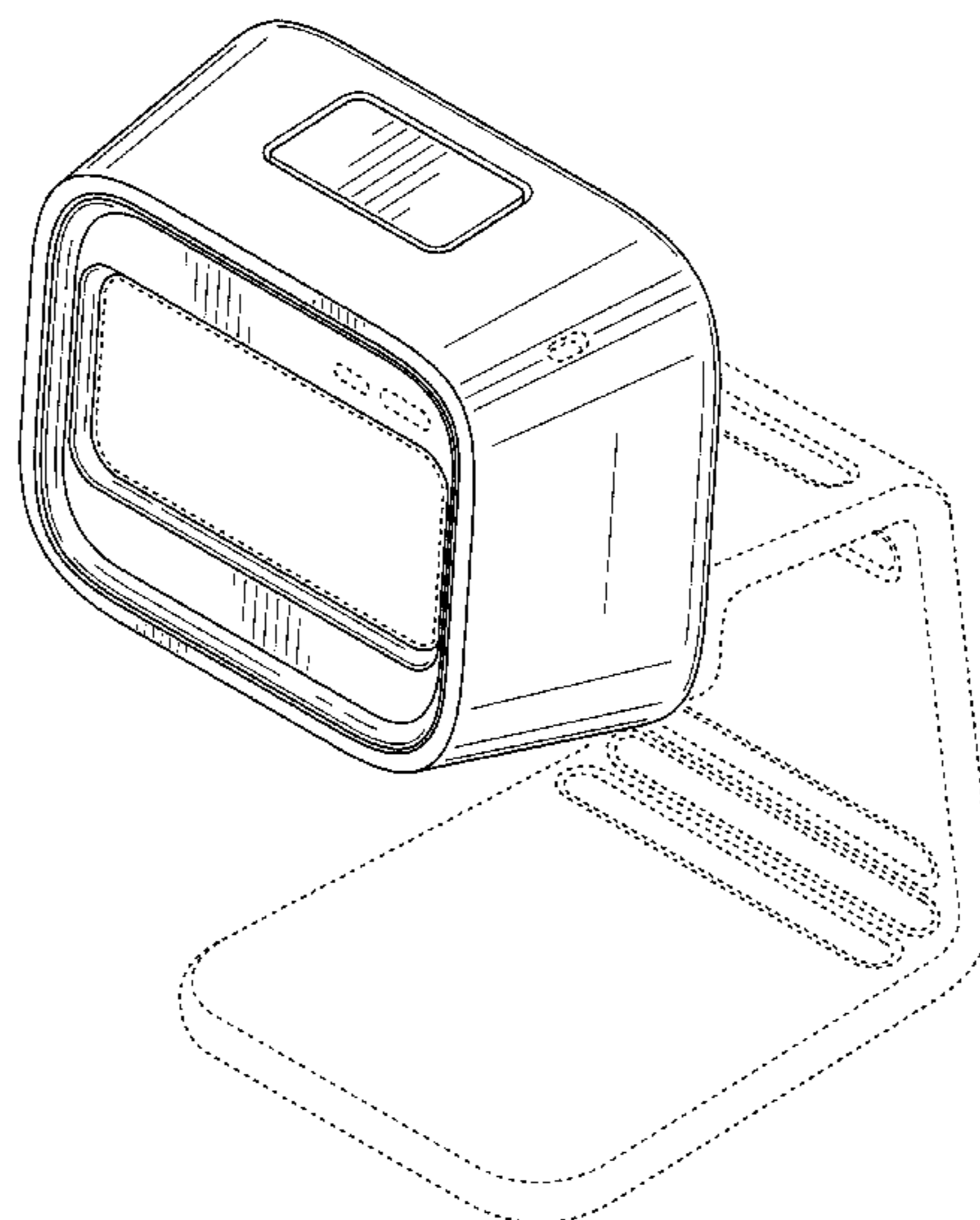
The ornamental design for an electronic camera, as shown and described.

**DESCRIPTION**

FIG. 1 is a front perspective view of an electronic camera showing our new design; FIG. 2 is a front view thereof; FIG. 3 is a rear view thereof; FIG. 4 is a right side view thereof; FIG. 5 is a left side view thereof; FIG. 6 is a top view thereof; FIG. 7 is a bottom view thereof; FIG. 8 is a front perspective view of the electronic camera of FIGS. 1-7 shown in isolation without the disclaimed support and with additional disclaimed features; FIG. 9 is a front view thereof; FIG. 10 is a rear view thereof; FIG. 11 is a right side view thereof; FIG. 12 is a left side view thereof; FIG. 13 is a top view thereof; and, FIG. 14 is a bottom view thereof.

The broken line showing of portions of the electronic camera in FIGS. 1-14 and the support in FIGS. 1-7 is for environmental purposes only and forms no part of the claimed design.

**1 Claim, 11 Drawing Sheets**



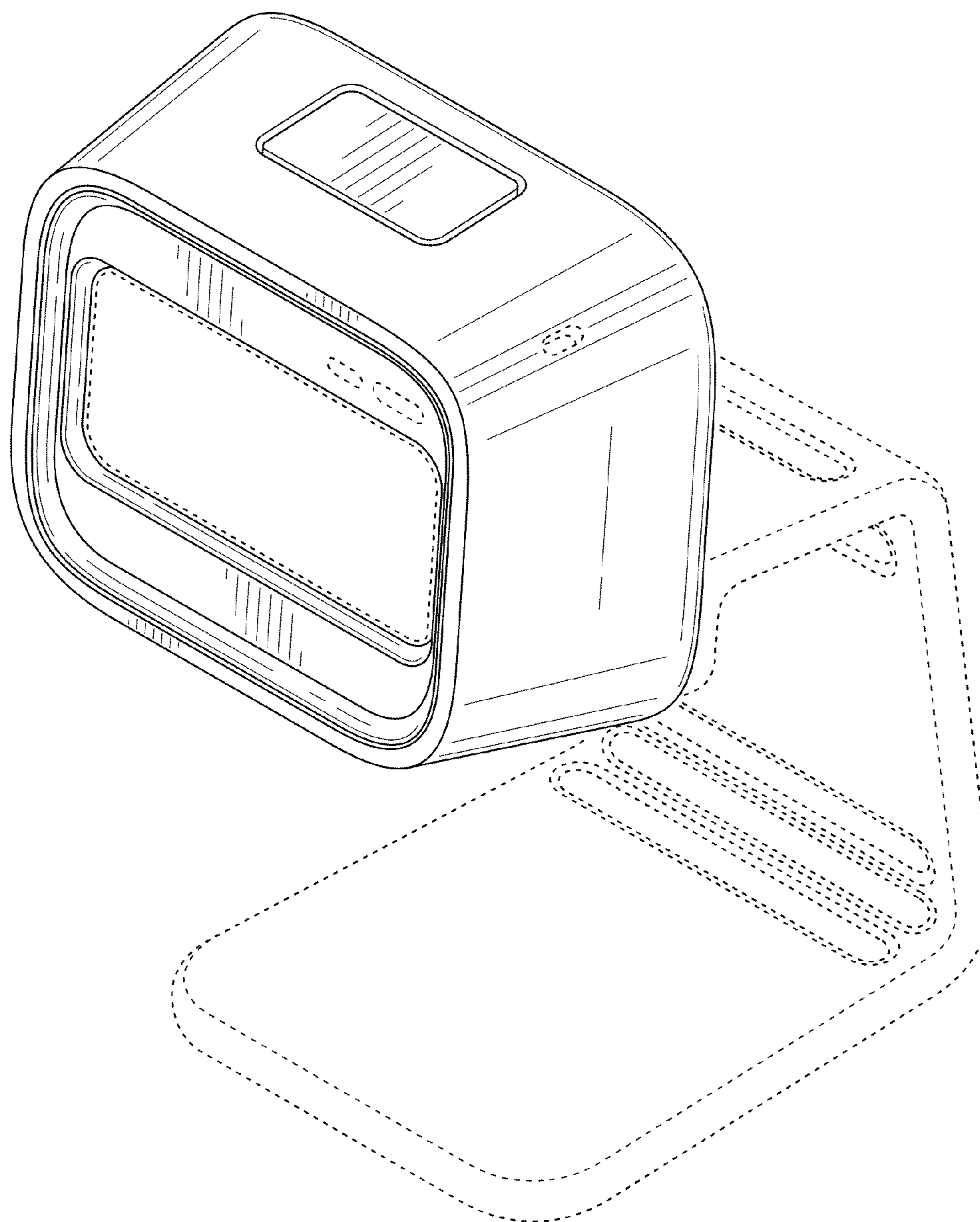


FIG. 1

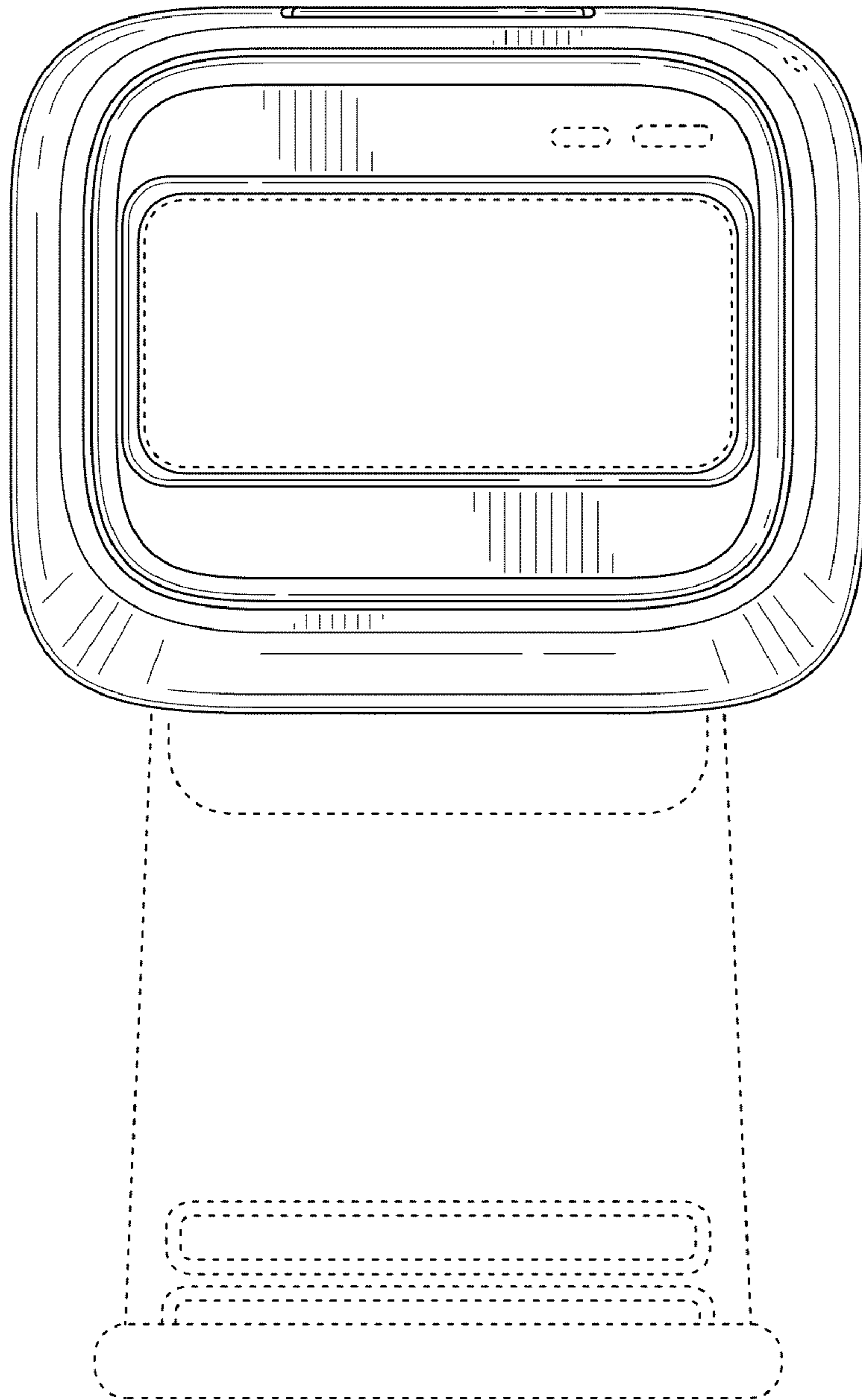


FIG. 2

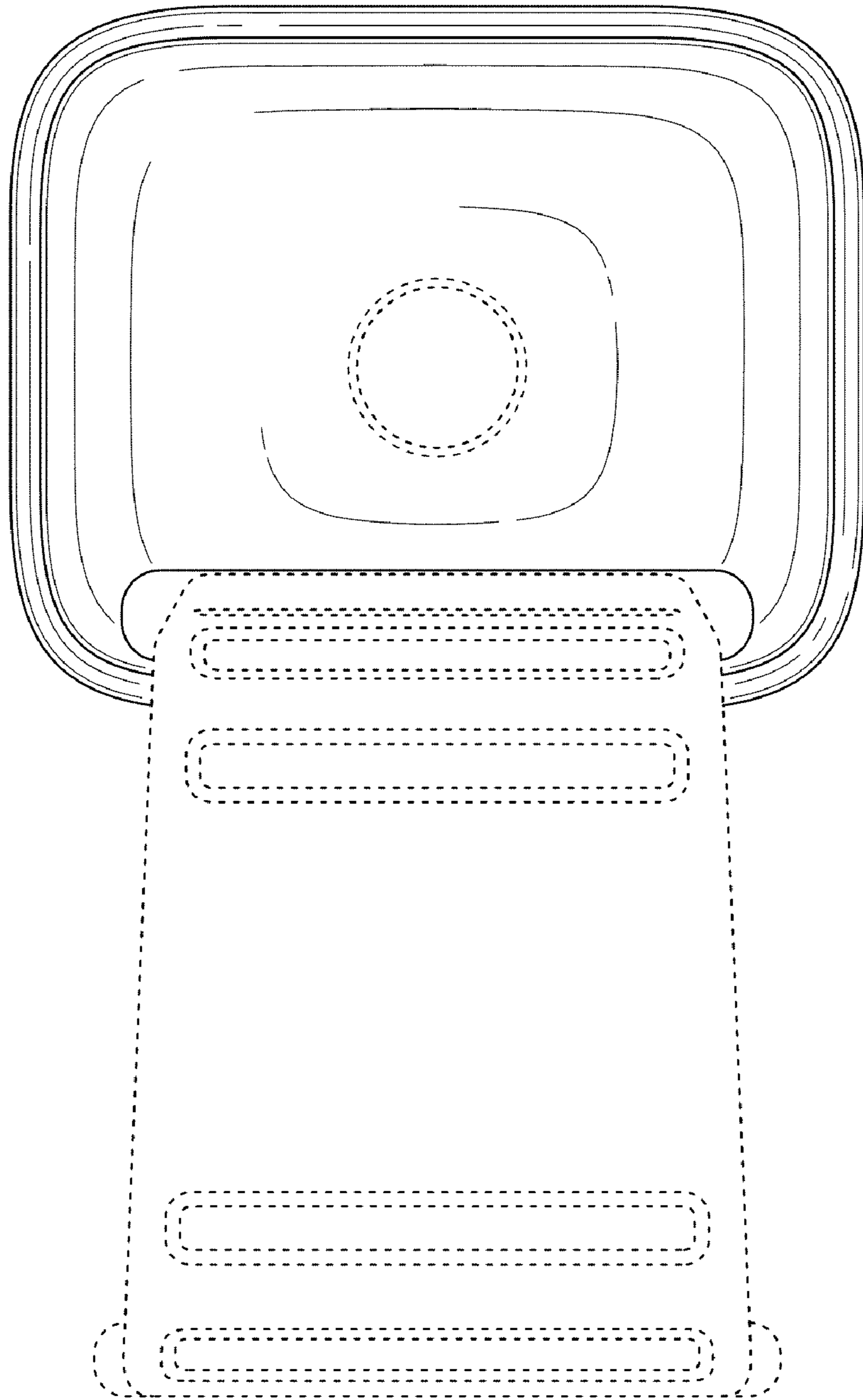


FIG. 3

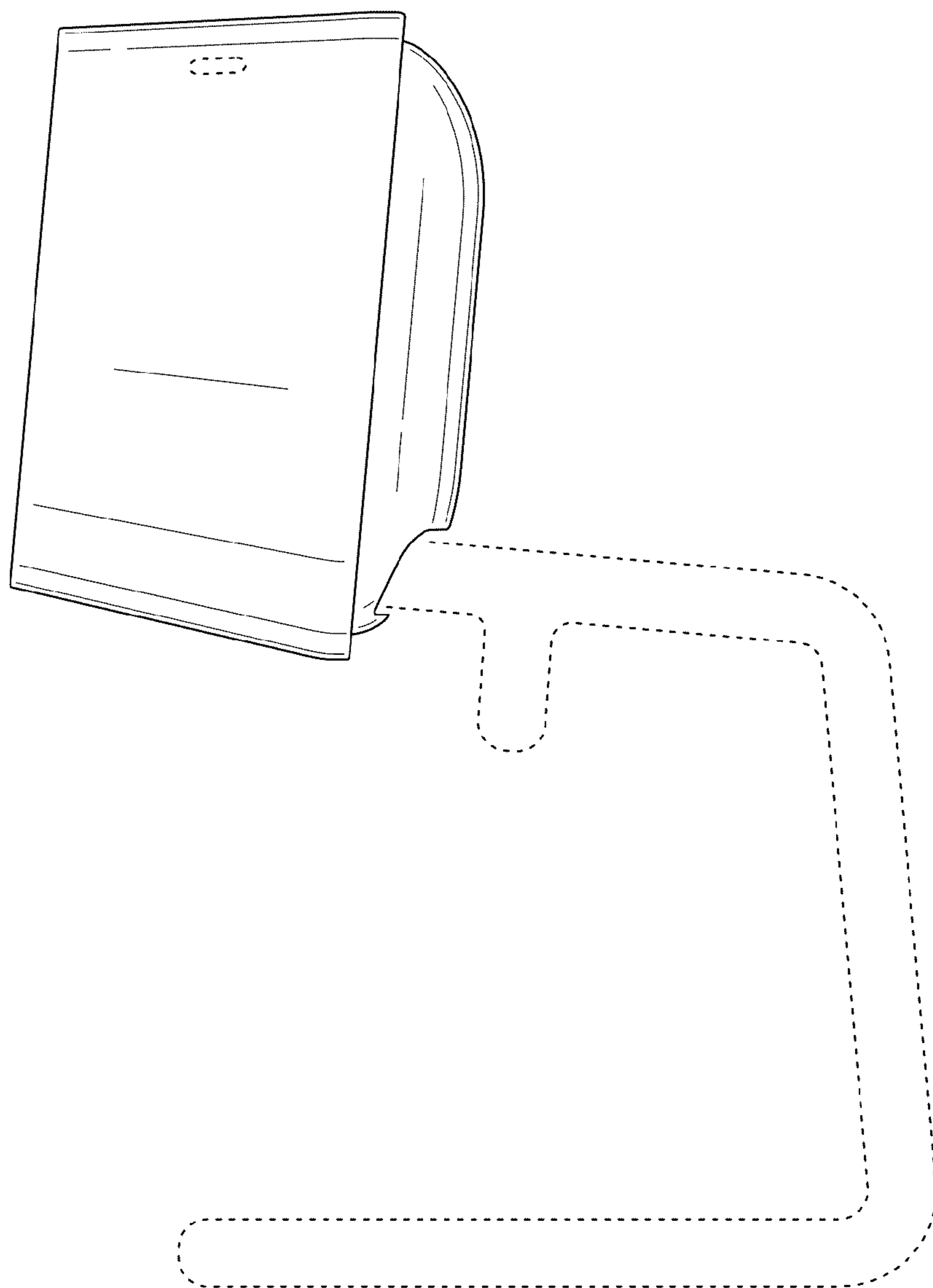


FIG. 4

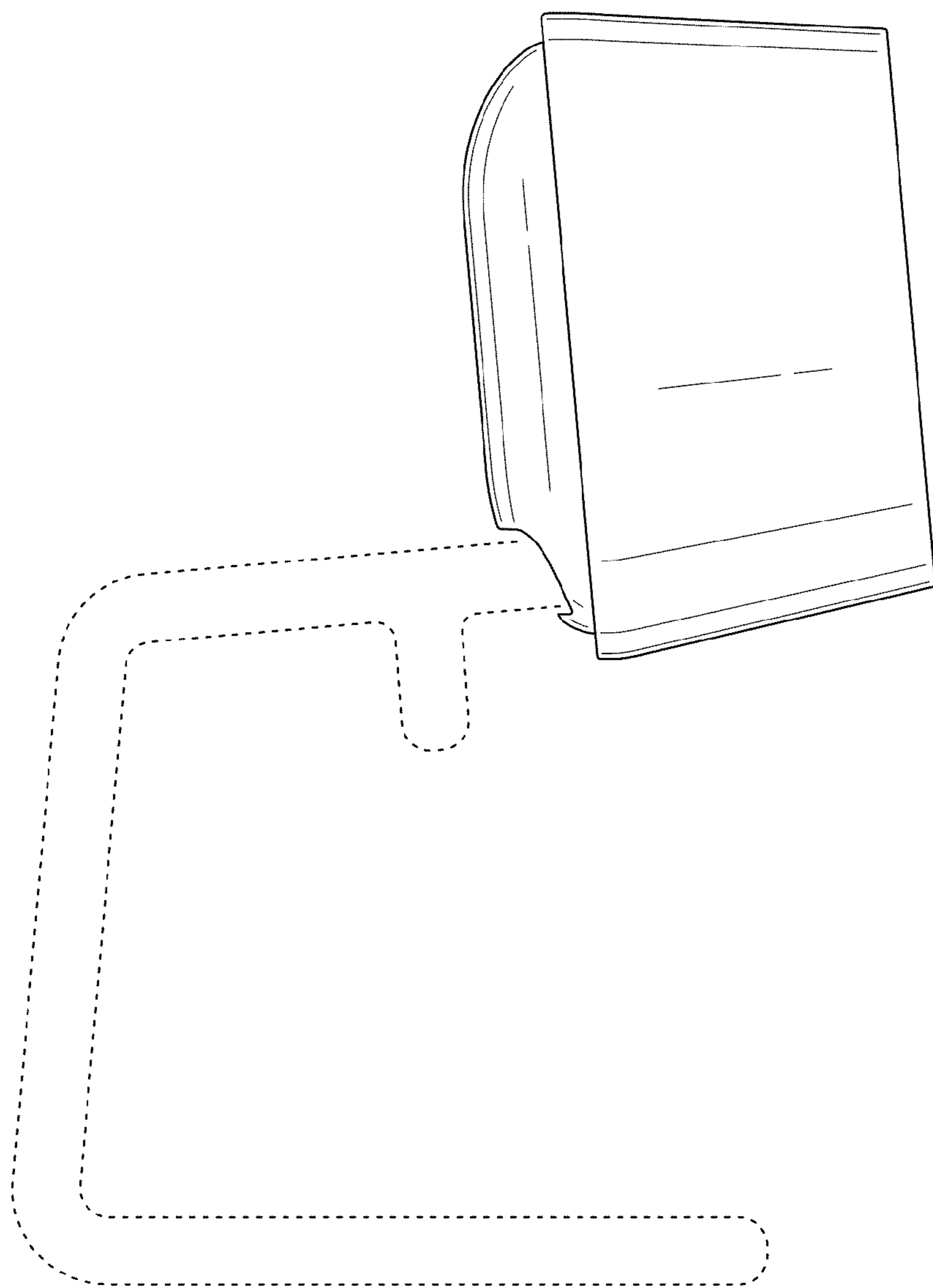


FIG. 5

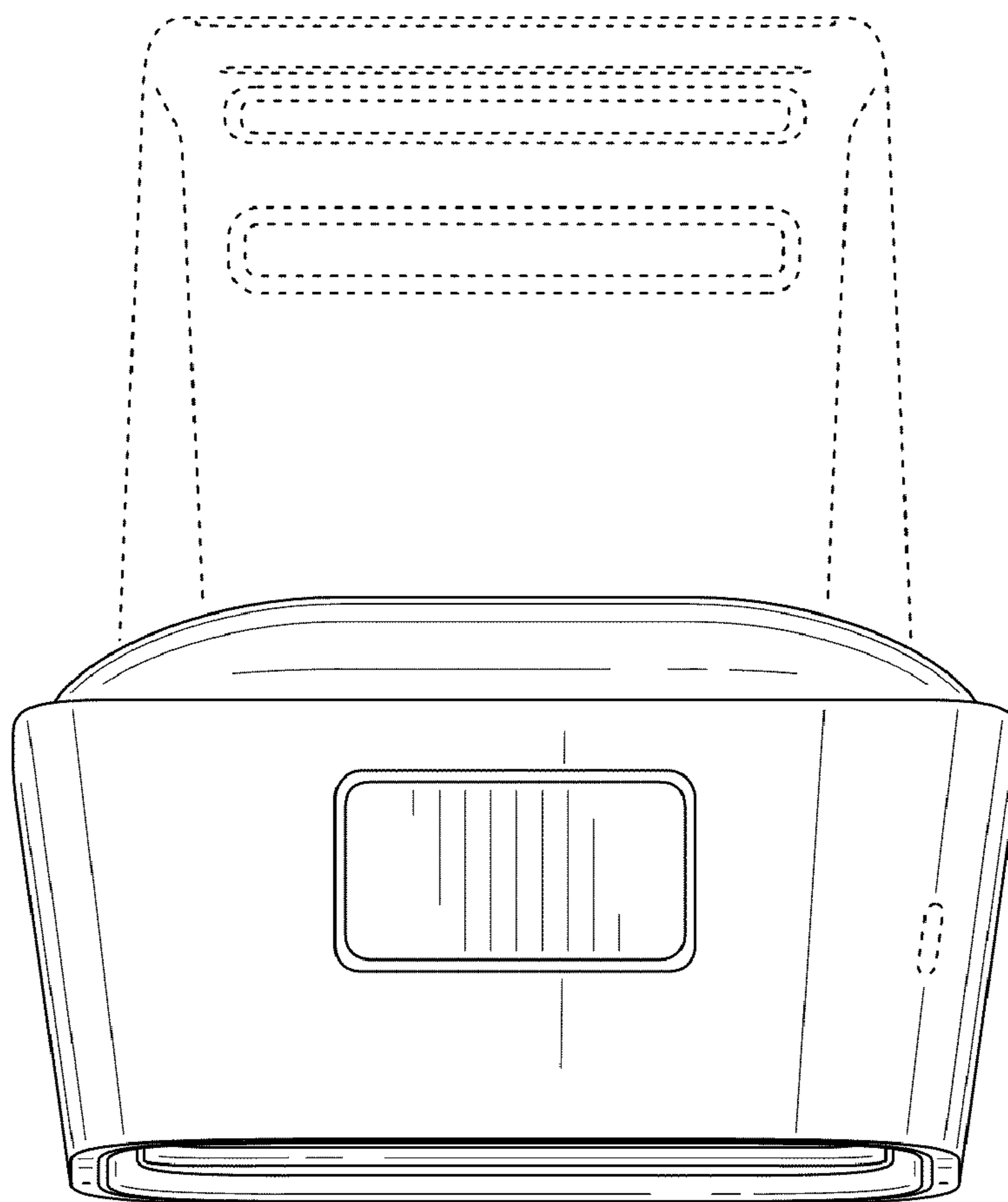


FIG. 6

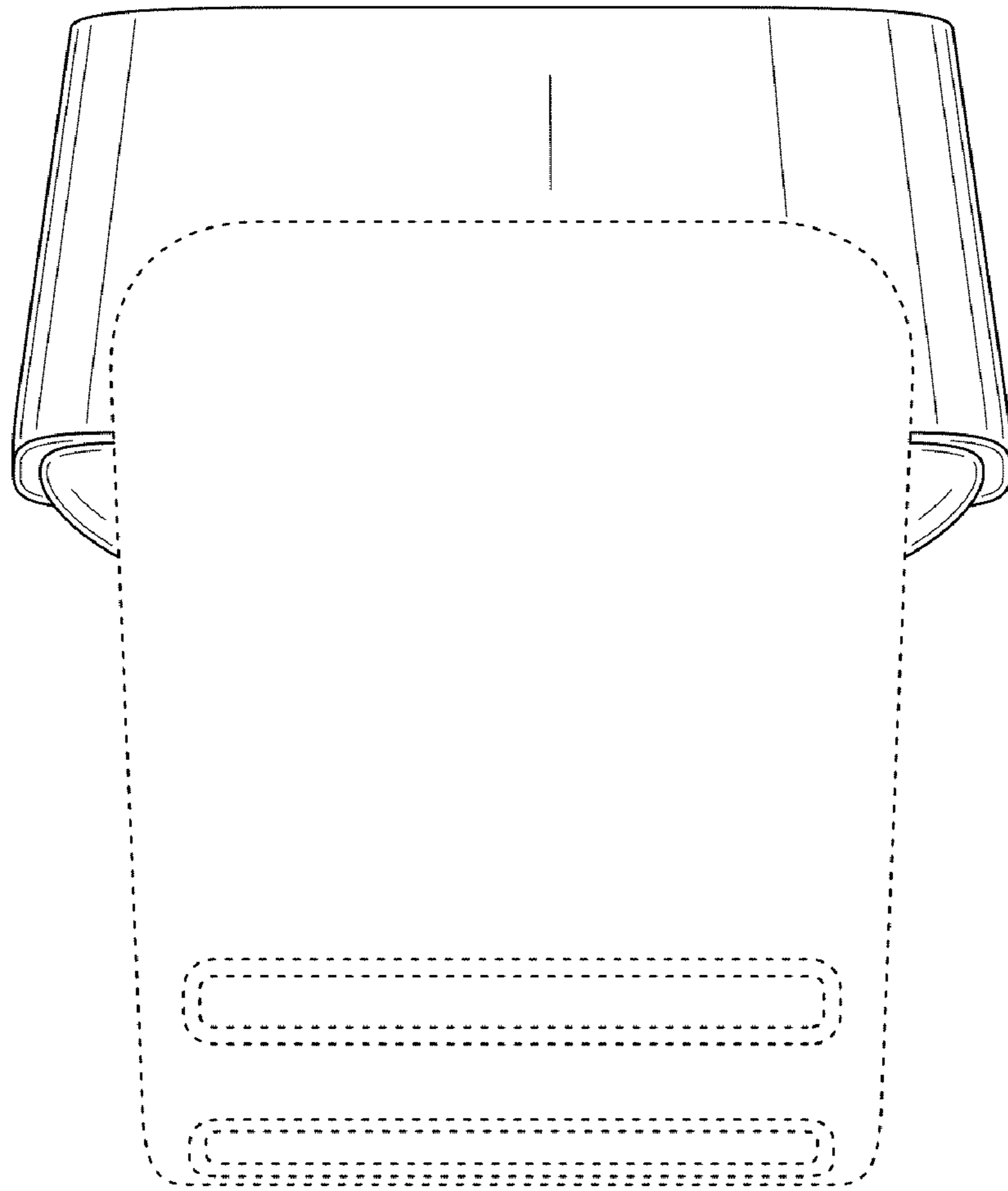


FIG. 7



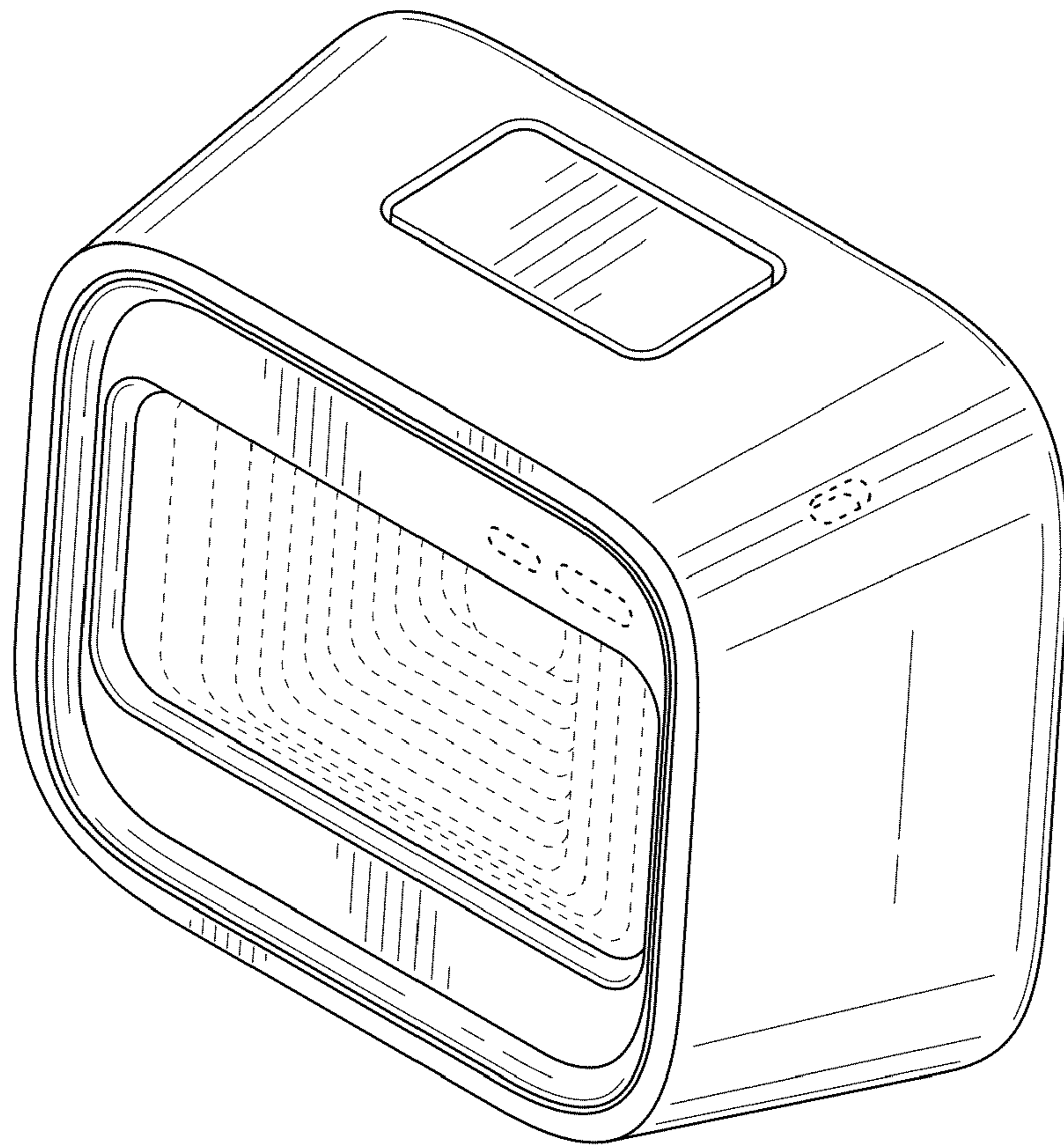


FIG. 8

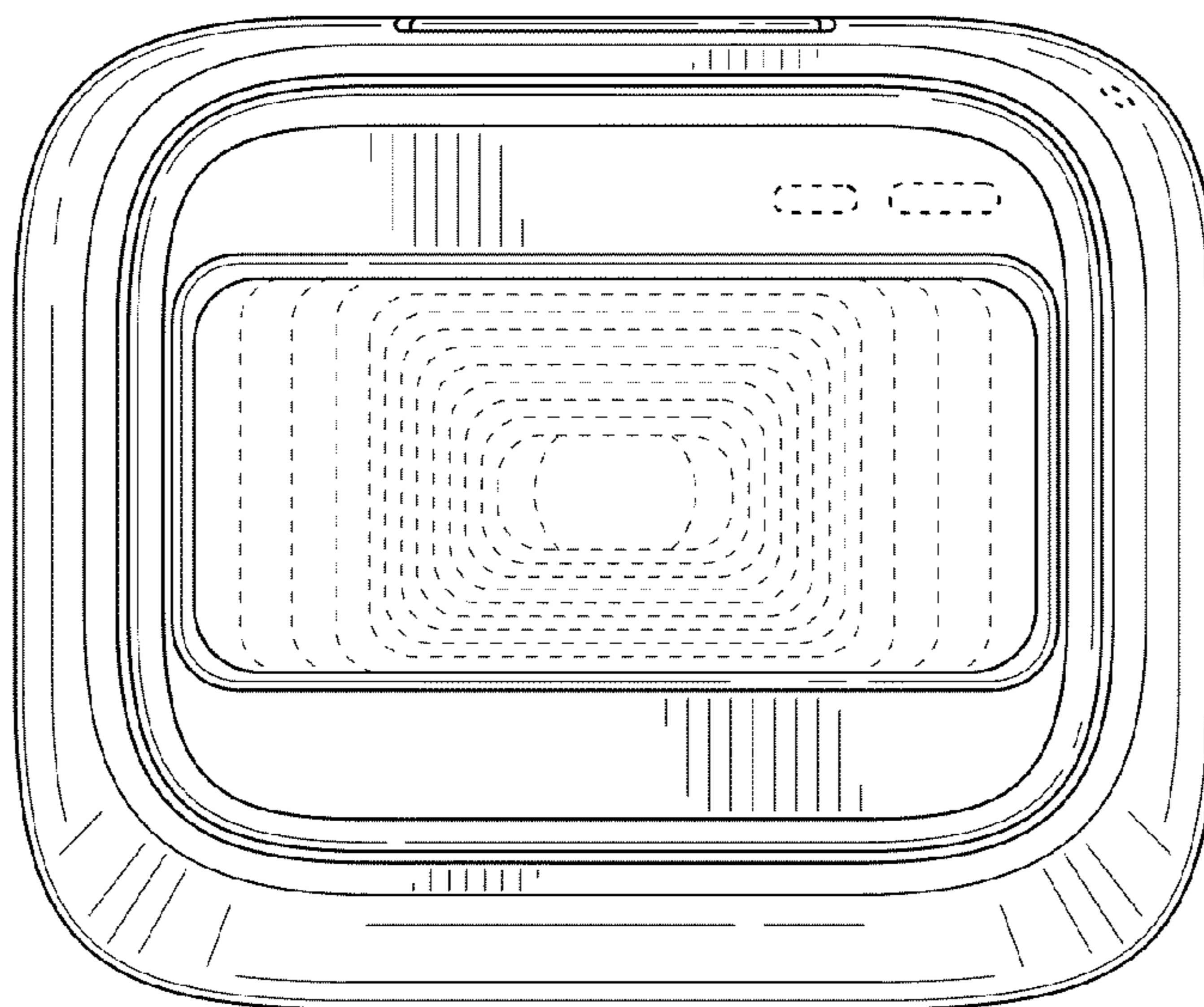


FIG. 9

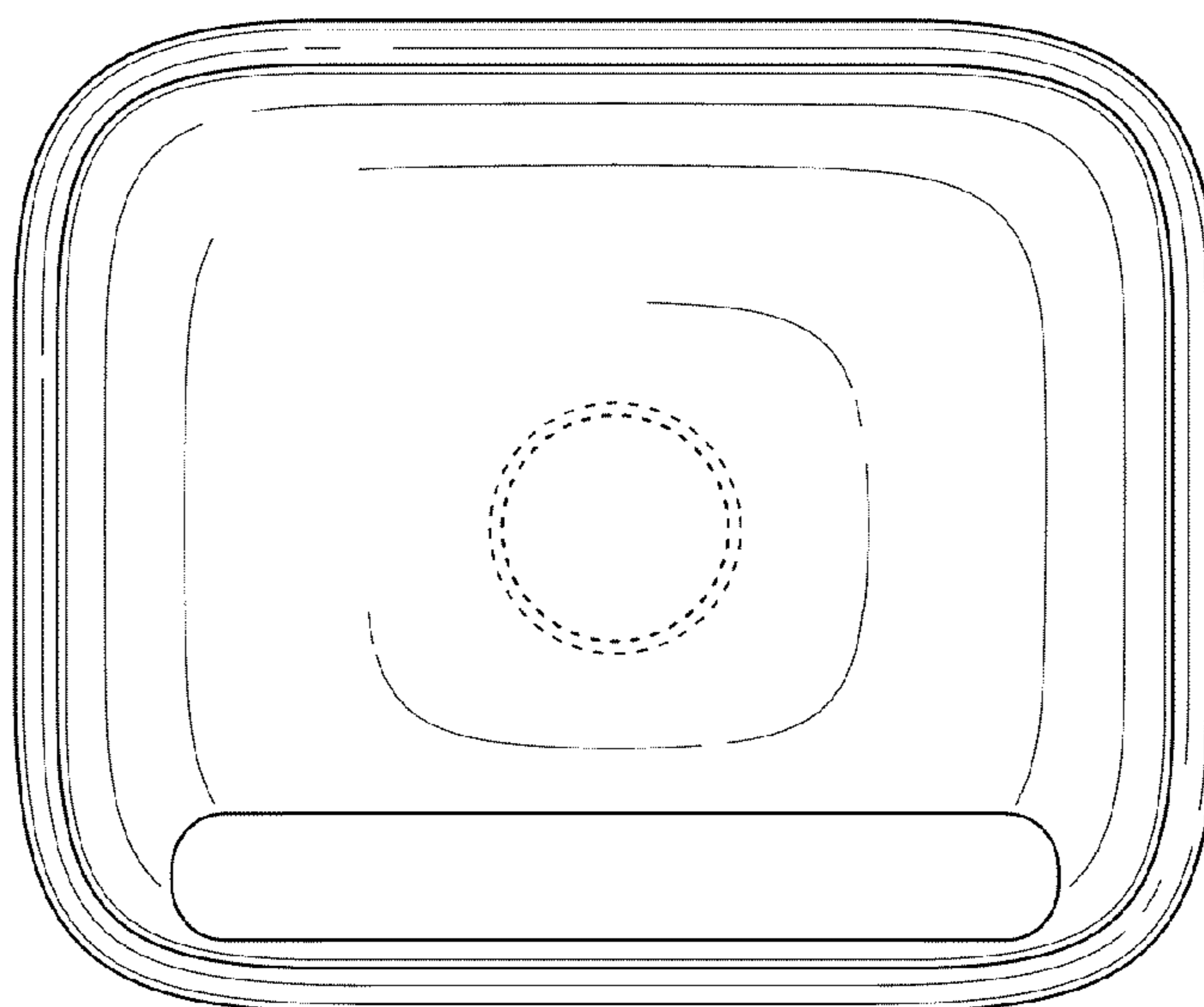


FIG. 10

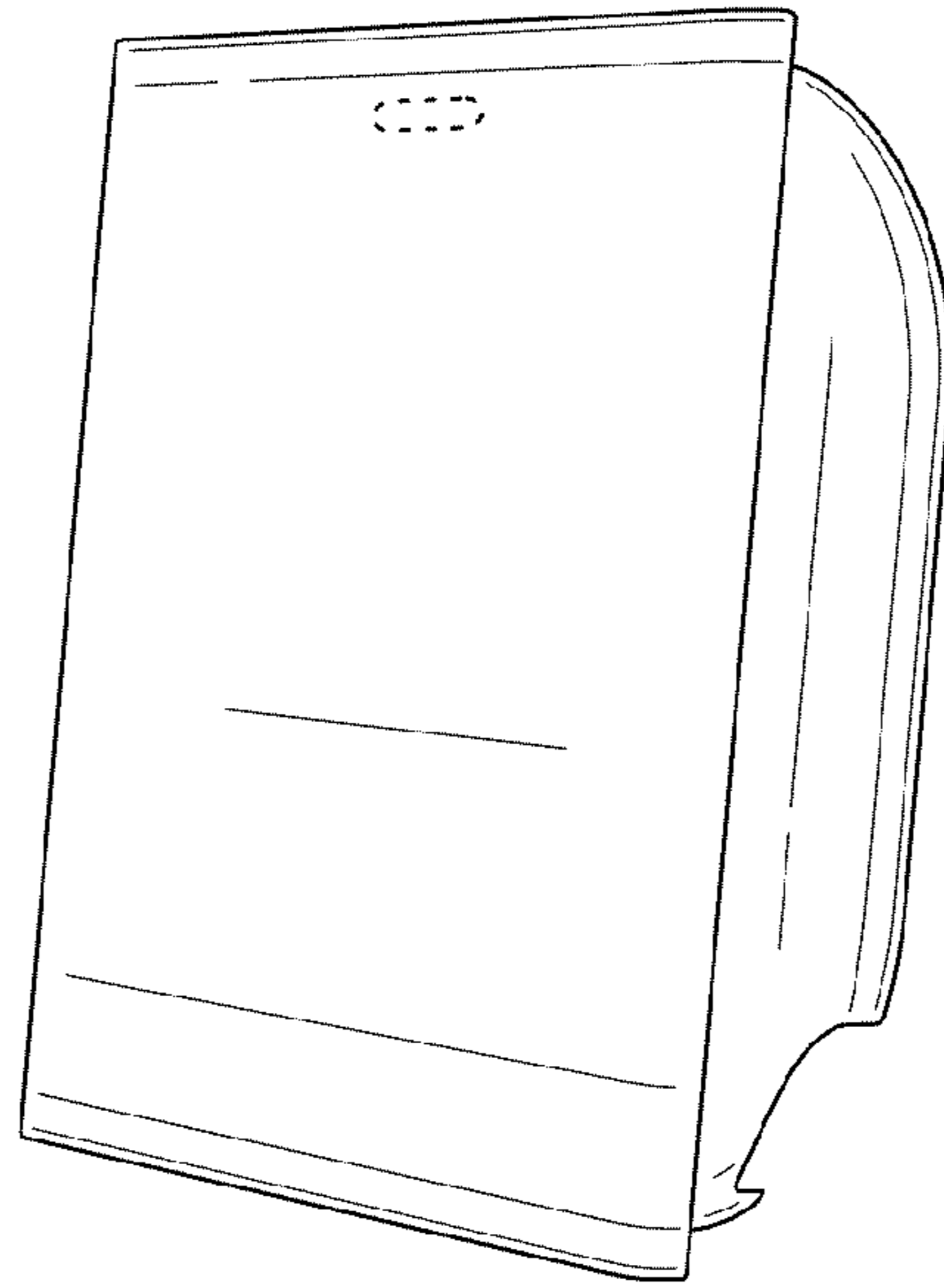


FIG. 11

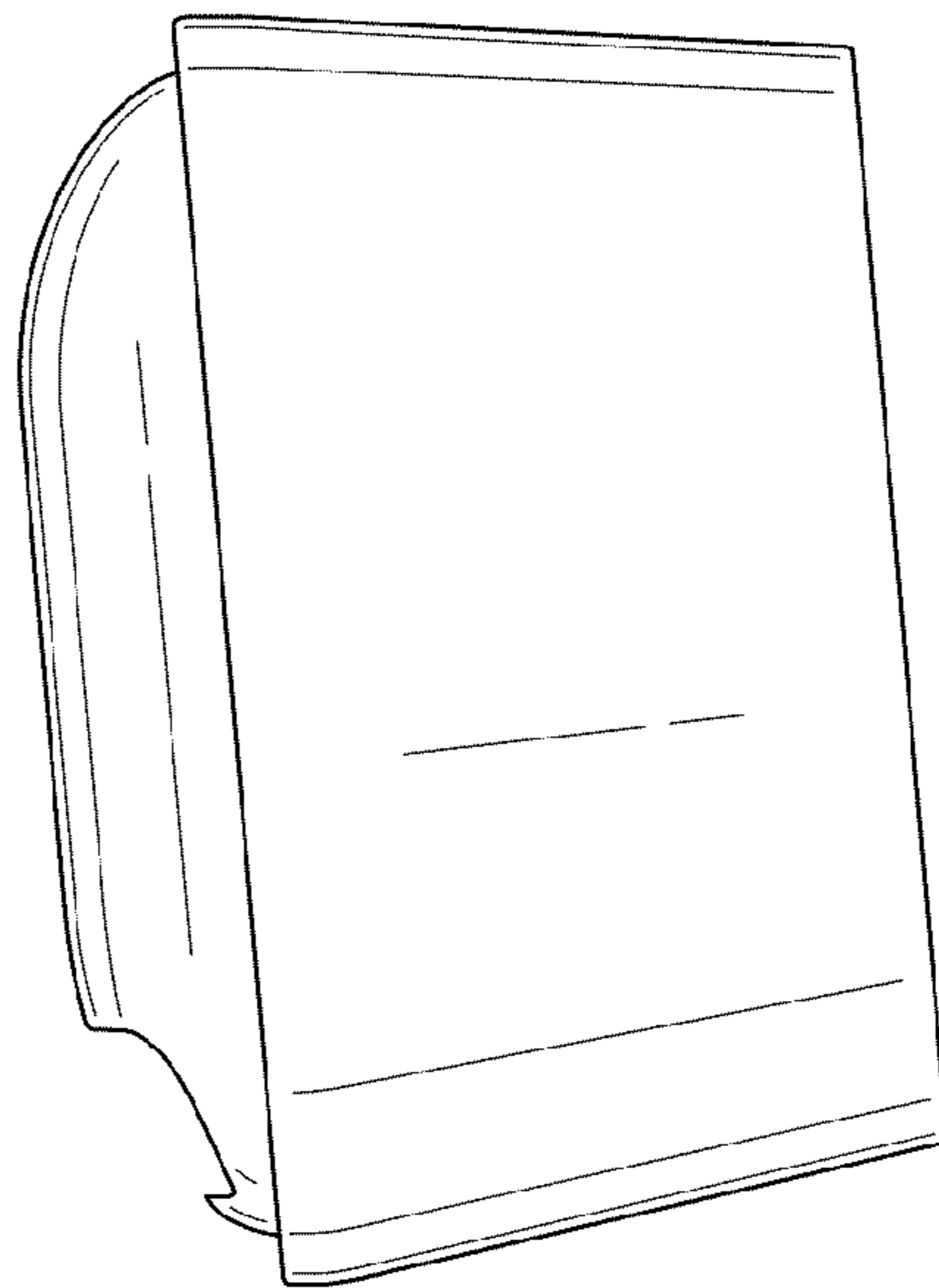


FIG. 12

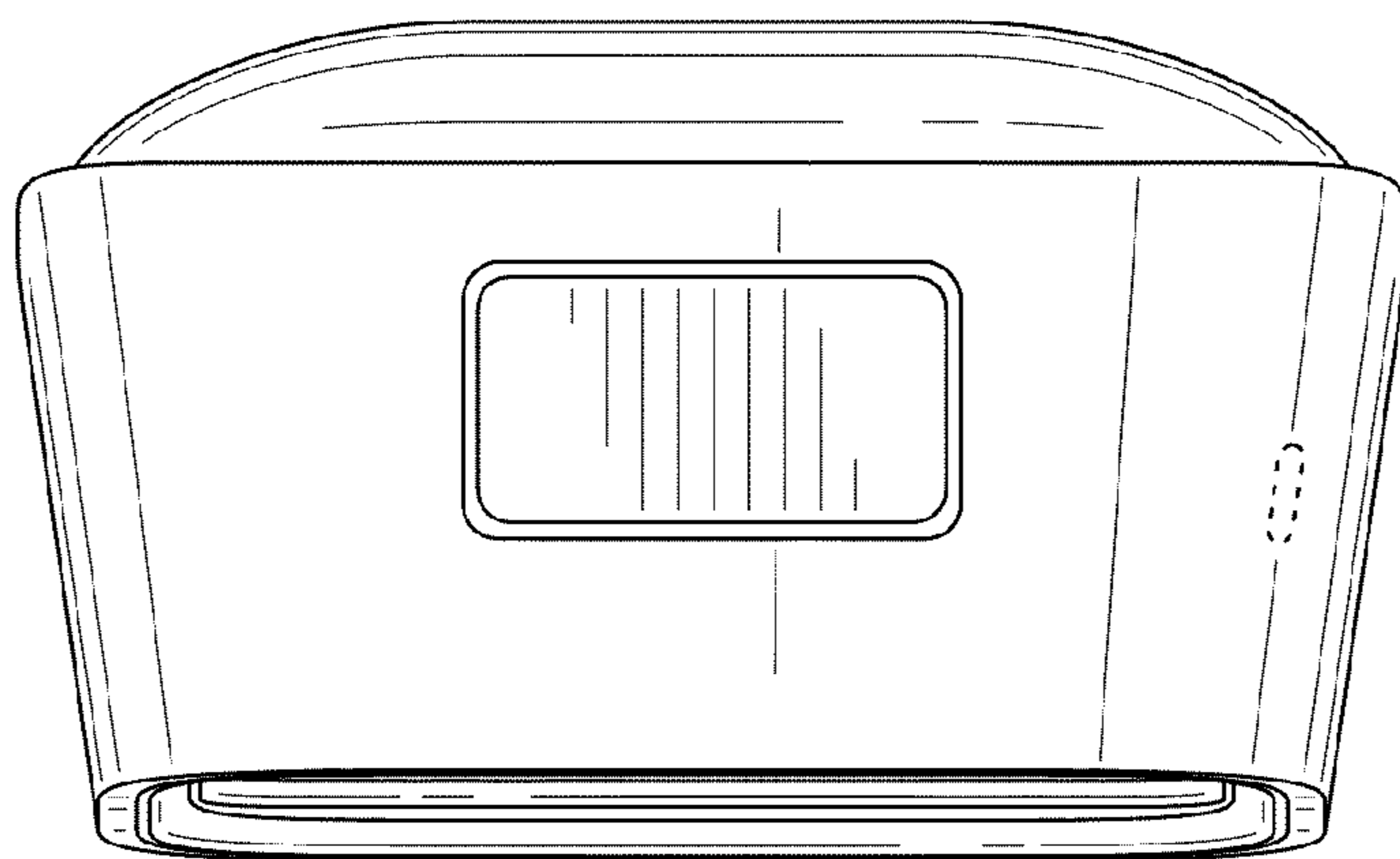


FIG. 13

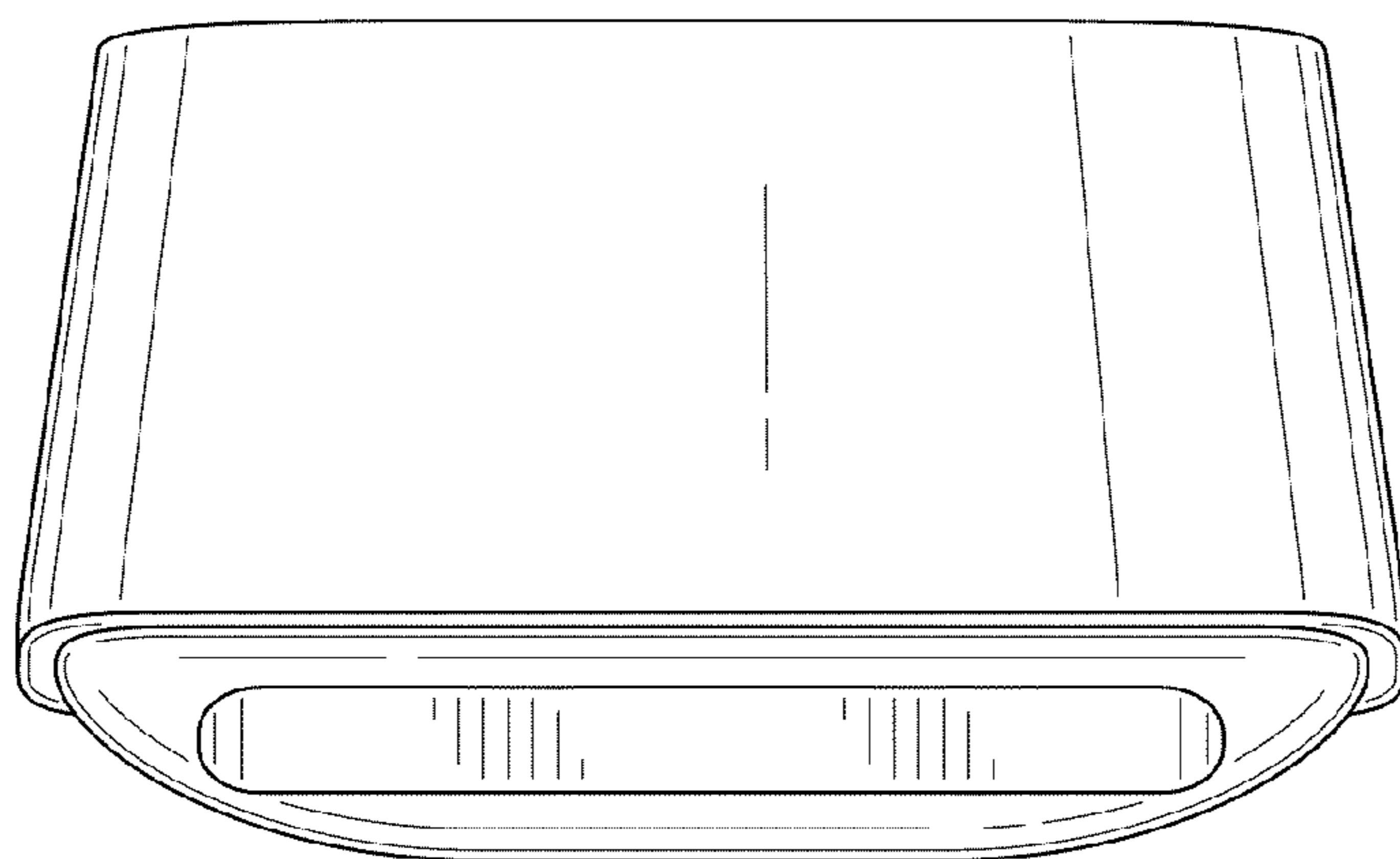


FIG. 14