



US00D647933S

(12) **United States Design Patent**
Raken et al.

(10) **Patent No.:** **US D647,933 S**
(45) **Date of Patent:** **** Nov. 1, 2011**

(54) **ELECTRONIC CAMERA**

(75) Inventors: **Jan Raken**, Seattle, WA (US);
Katherine Bailey, Seattle, WA (US)

(73) Assignee: **Microsoft Corporation**, Redmond, WA (US)

(**) Term: **14 Years**

(21) Appl. No.: **29/356,855**

(22) Filed: **Mar. 3, 2010**

(51) **LOC (9) Cl.** **16-01**

(52) **U.S. Cl.** **D16/202**

(58) **Field of Classification Search** D16/200–204,
D16/208, 218, 219; 348/333.01, 373–376;
358/906; 396/533–541

See application file for complete search history.

(56) **References Cited**

U.S. PATENT DOCUMENTS

D557,310 S	12/2007	Fisher et al.	
D557,320 S	12/2007	Fisher et al.	
D557,321 S	12/2007	Fisher et al.	
D567,278 S	4/2008	Kim	
D569,888 S	5/2008	Kim	
D576,654 S	9/2008	Kim et al.	
D581,441 S	11/2008	Kim	
D581,960 S	12/2008	Kim et al.	
D592,233 S	5/2009	Kim et al.	
D592,234 S	5/2009	Kim et al.	
D595,328 S	6/2009	Kim et al.	
D600,732 S	9/2009	Kim	
D600,733 S	9/2009	Kim	
D606,106 S	12/2009	Kim et al.	
2007/0297788 A1*	12/2007	Wahl et al.	396/419
2009/0251585 A1*	10/2009	Joseph	348/333.01

OTHER PUBLICATIONS

U.S. Appl. No. 29/317,456, filed Apr. 30, 2008.

U.S. Appl. No. 29/342,094, filed Aug. 18, 2009.
U.S. Appl. No. 29/346,969, filed Nov. 9, 2009.
U.S. Appl. No. 29/346,970, filed Nov. 9, 2009.
U.S. Appl. No. 29/346,971, filed Nov. 9, 2009.

* cited by examiner

Primary Examiner — Nanda Bondade

(74) *Attorney, Agent, or Firm* — Banner & Witcoff, Ltd.

(57) **CLAIM**

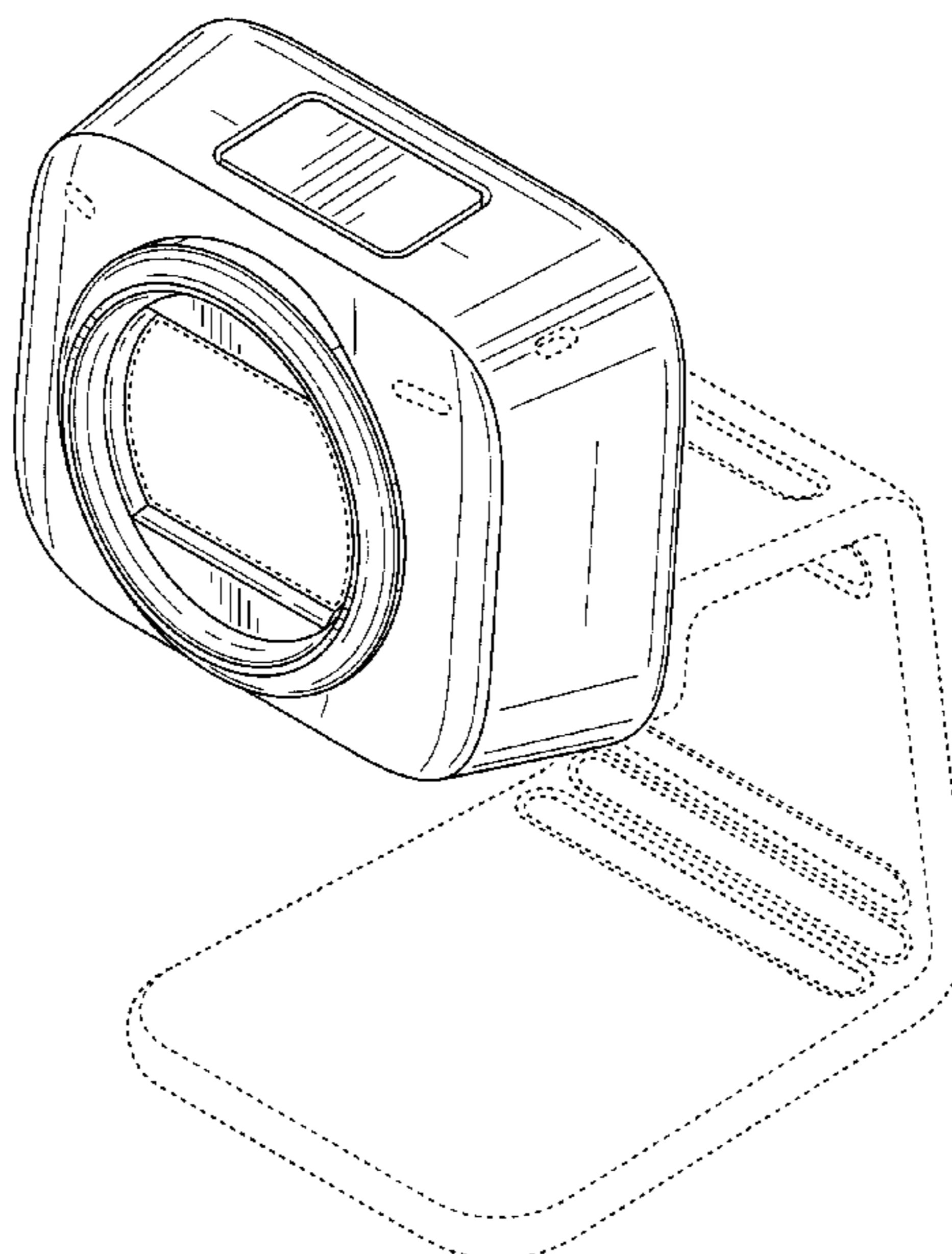
The ornamental design for an electronic camera, as shown and described.

DESCRIPTION

FIG. 1 is a front perspective view of an electronic camera showing our new design;
FIG. 2 is a front view thereof;
FIG. 3 is a rear view thereof;
FIG. 4 is a right side view thereof;
FIG. 5 is a left side view thereof;
FIG. 6 is a top view thereof;
FIG. 7 is a bottom view thereof;
FIG. 8 is a front perspective view of the electronic camera of FIGS. 1-7 shown in isolation without the disclaimed support and with additional disclaimed features;
FIG. 9 is a front view thereof;
FIG. 10 is a rear view thereof;
FIG. 11 is a right side view thereof;
FIG. 12 is a left side view thereof;
FIG. 13 is a top view thereof; and,
FIG. 14 is a bottom view thereof.

The broken line showing of portions of the electronic camera in FIGS. 1-14 and the support in FIGS. 1-7 is for environmental purposes only and forms no part of the claimed design.

1 Claim, 11 Drawing Sheets



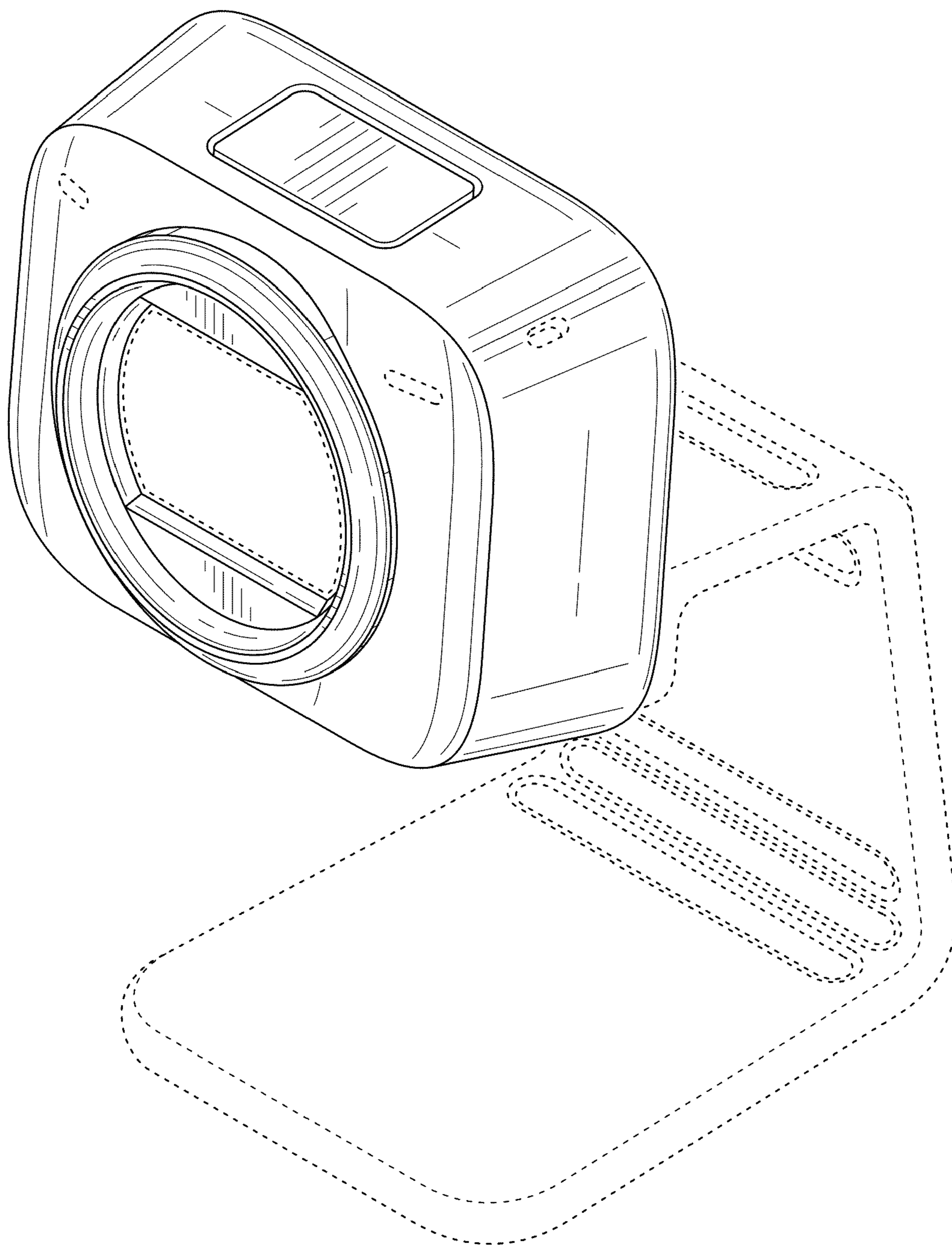


FIG. 1

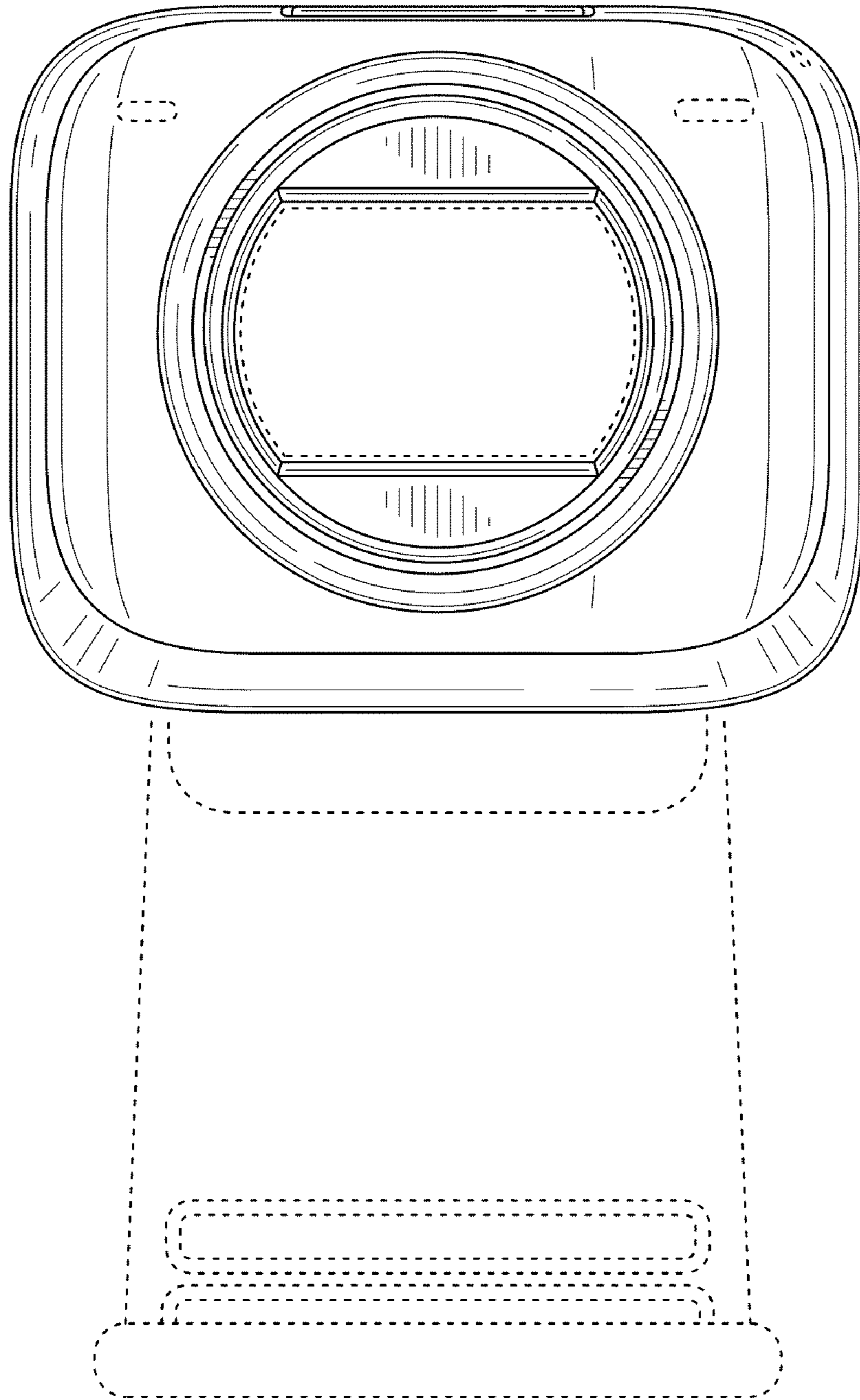


FIG. 2

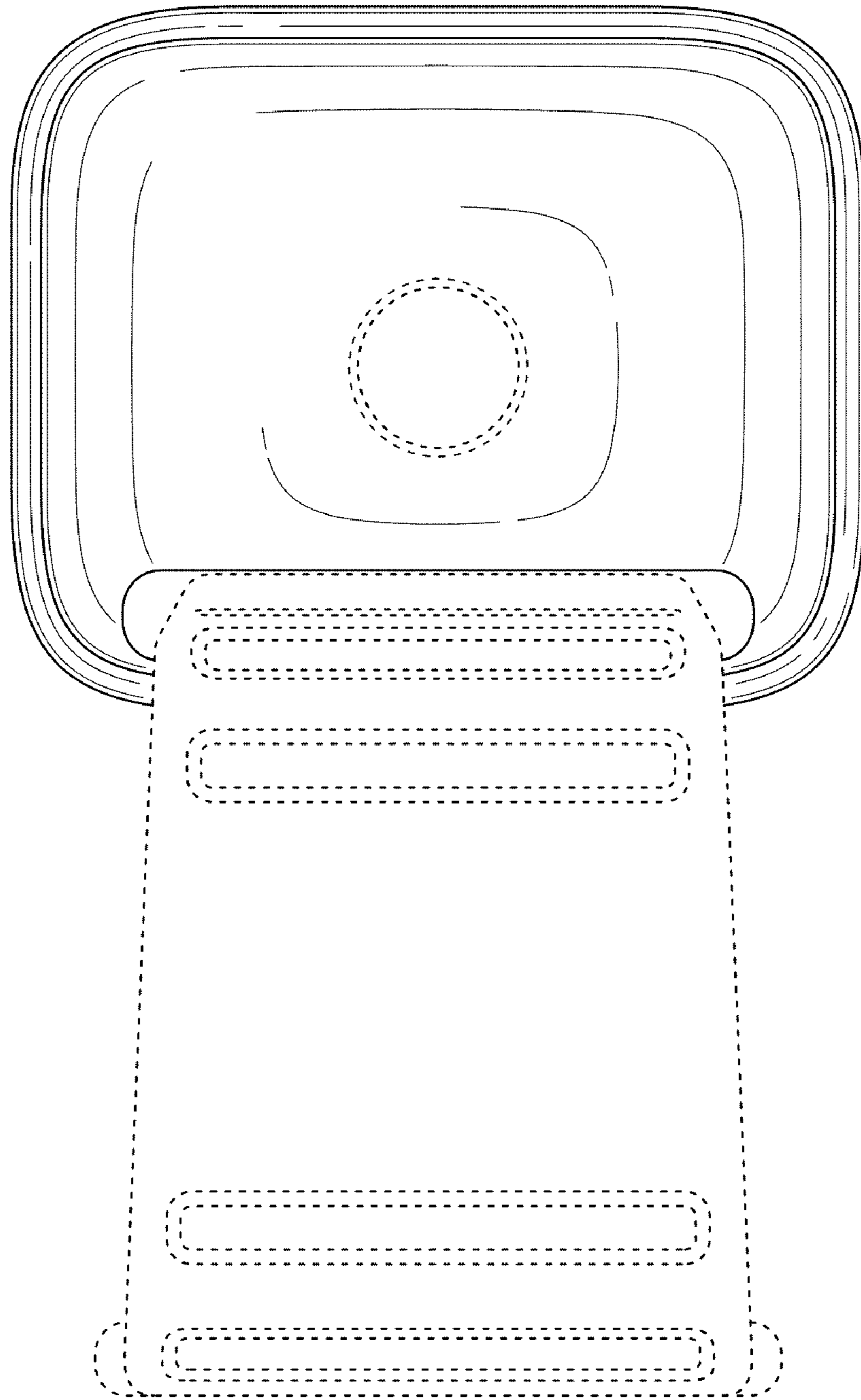


FIG. 3

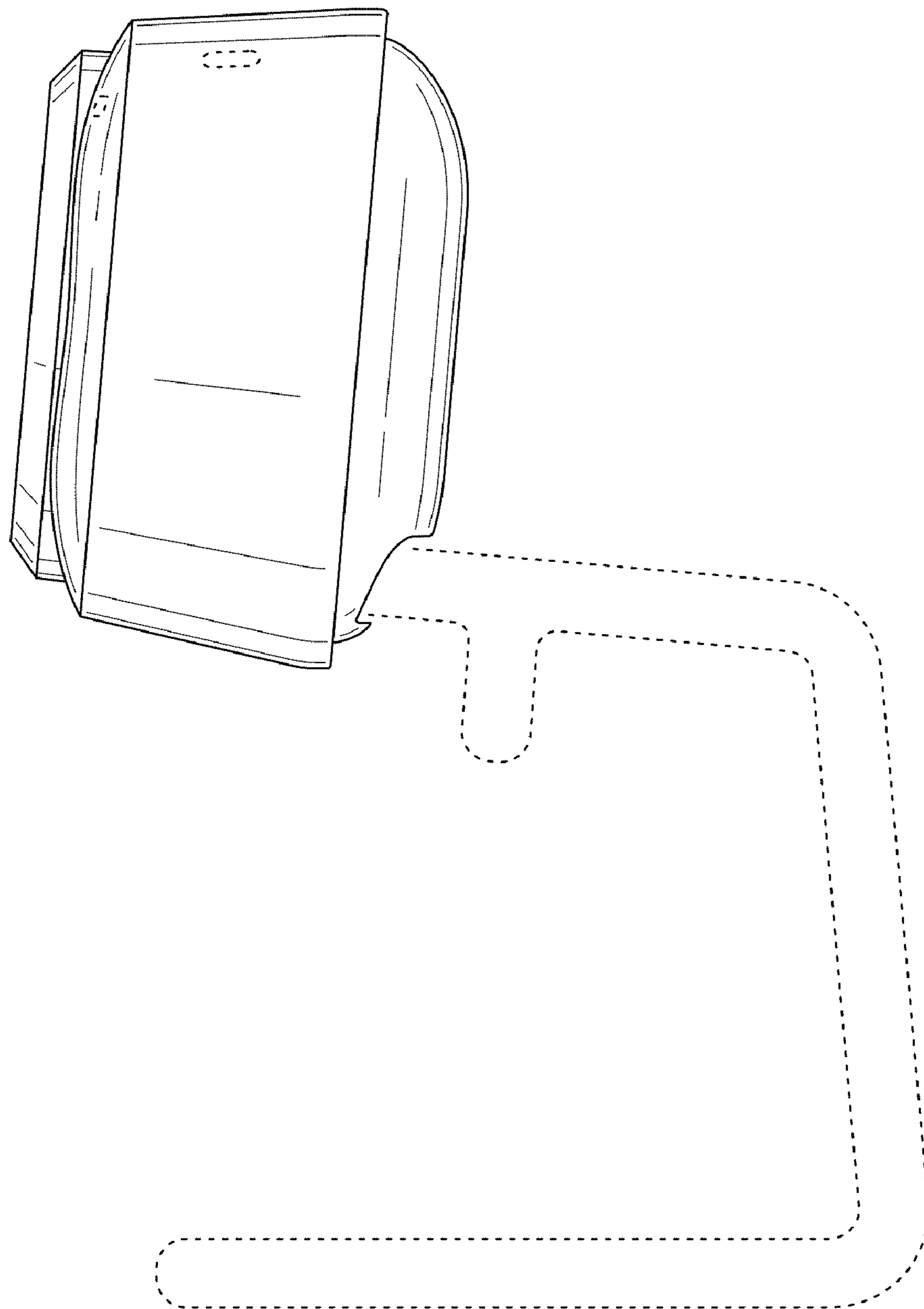


FIG. 4

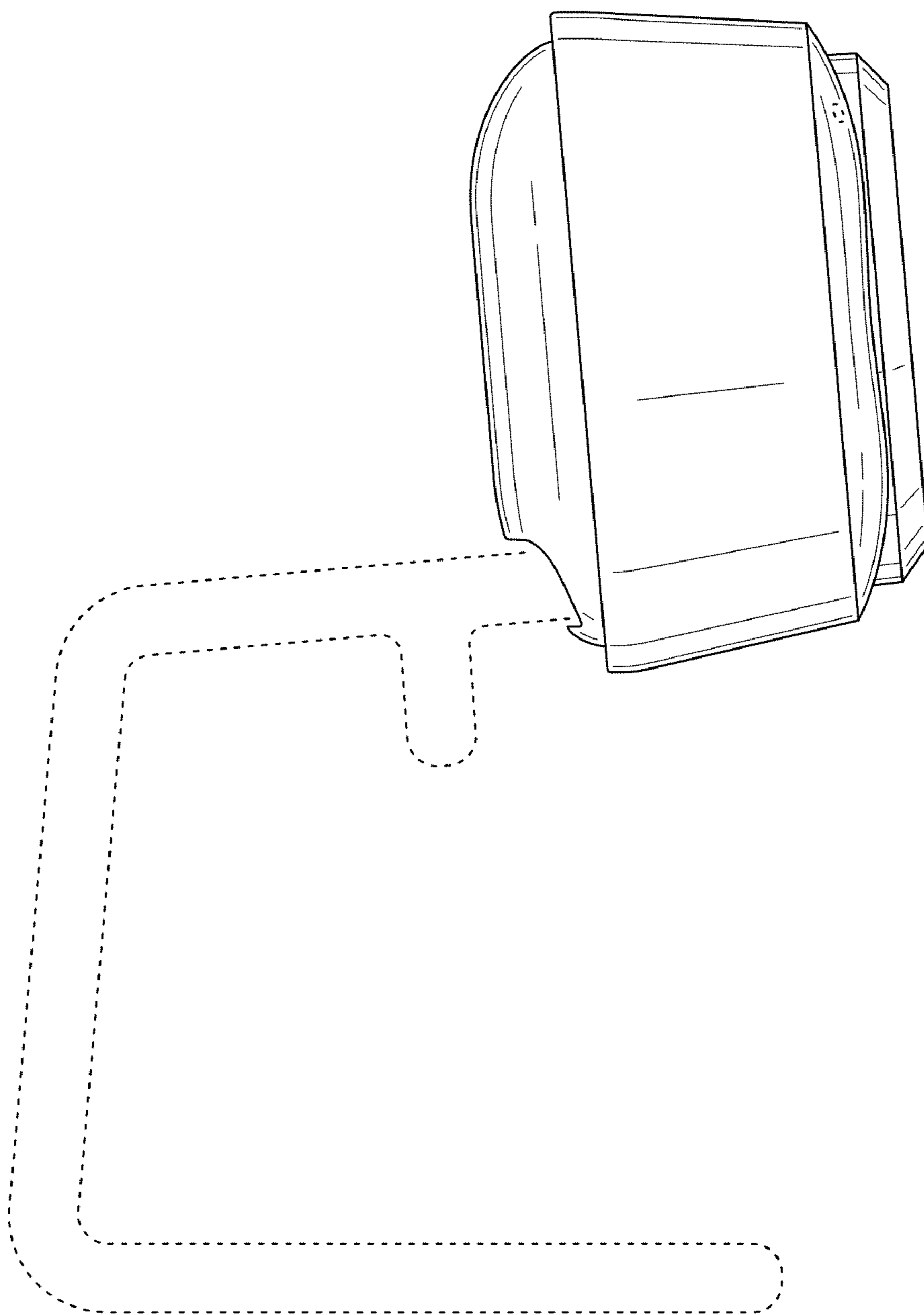


FIG. 5

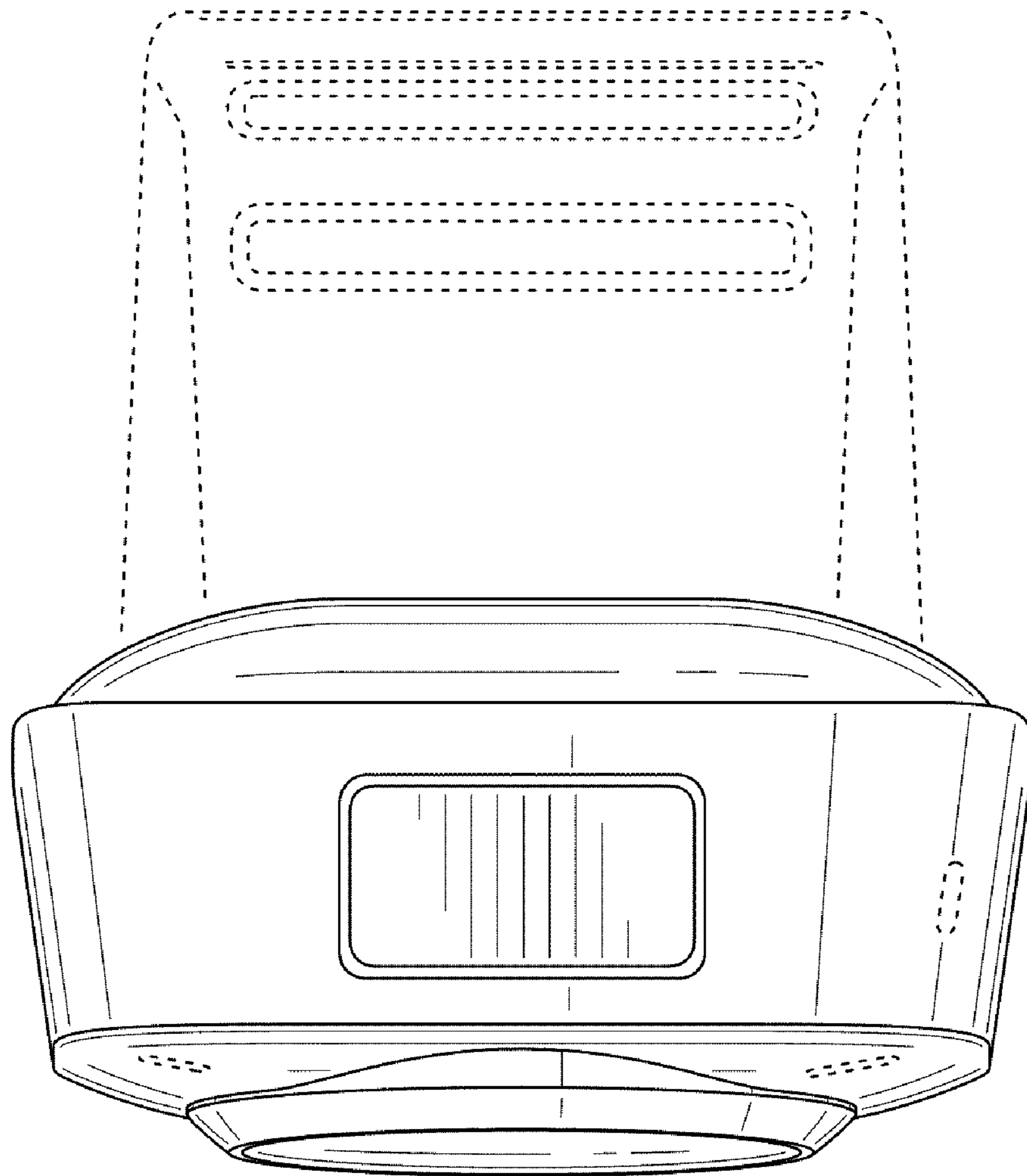


FIG. 6

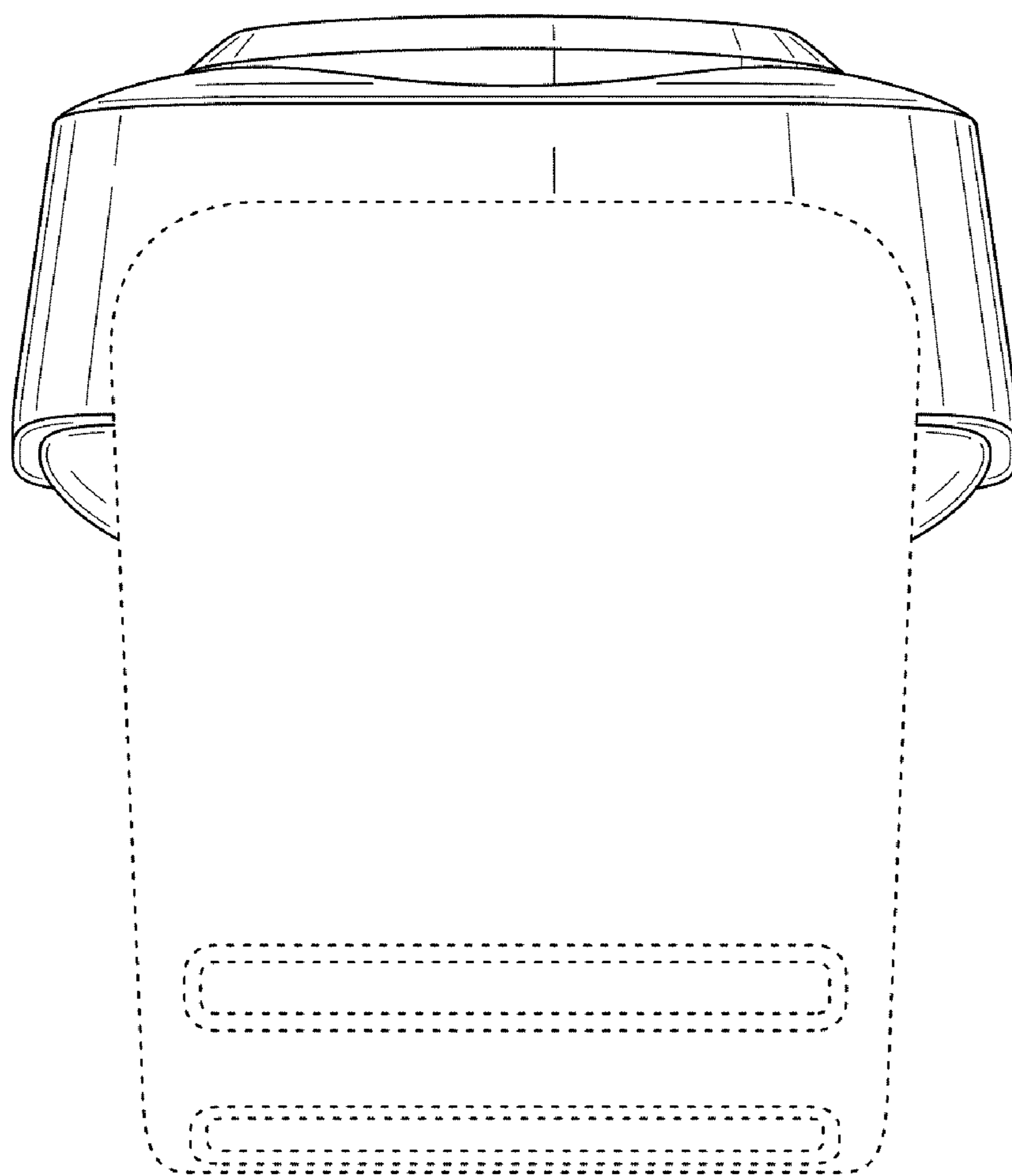


FIG. 7

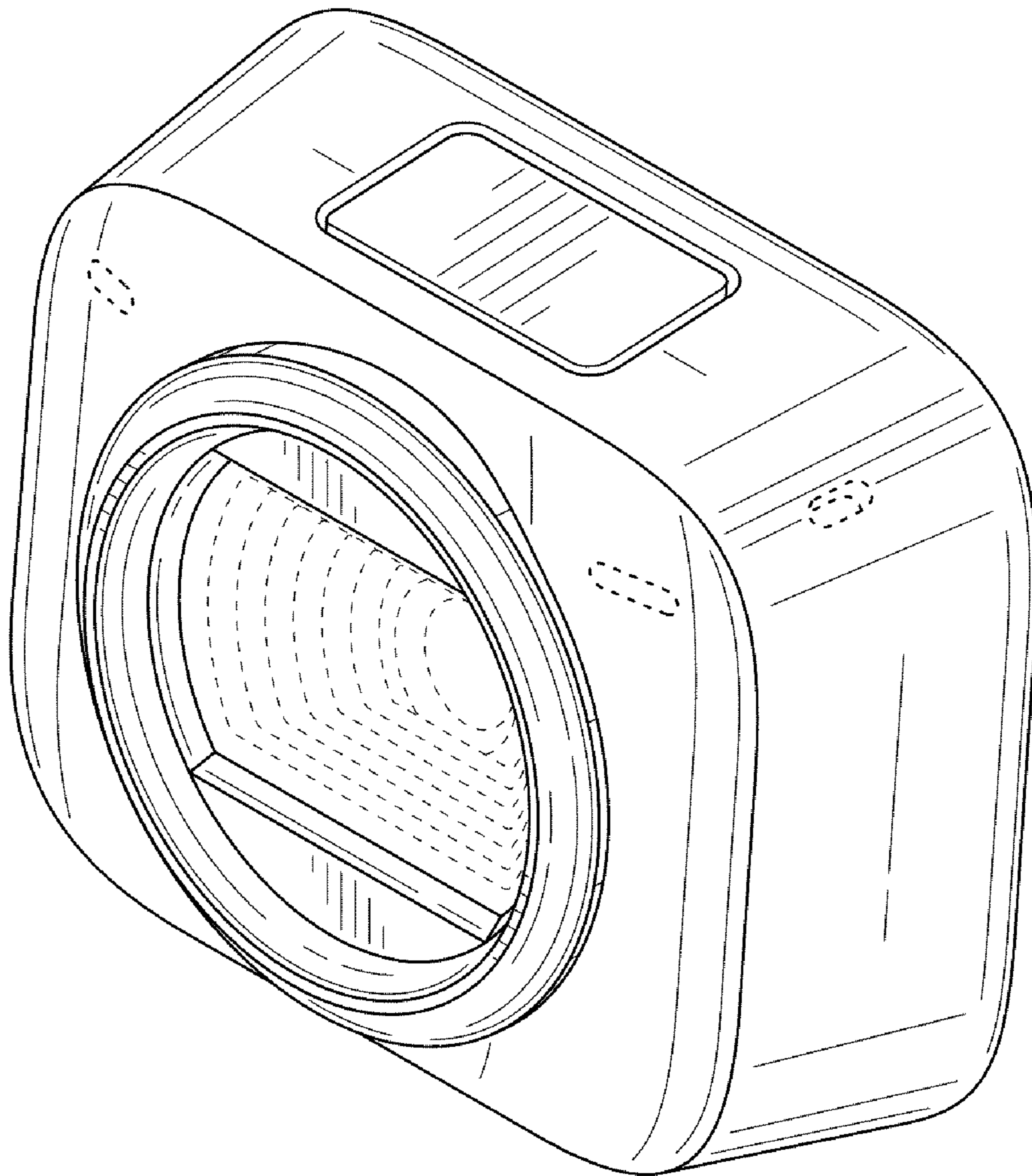


FIG. 8

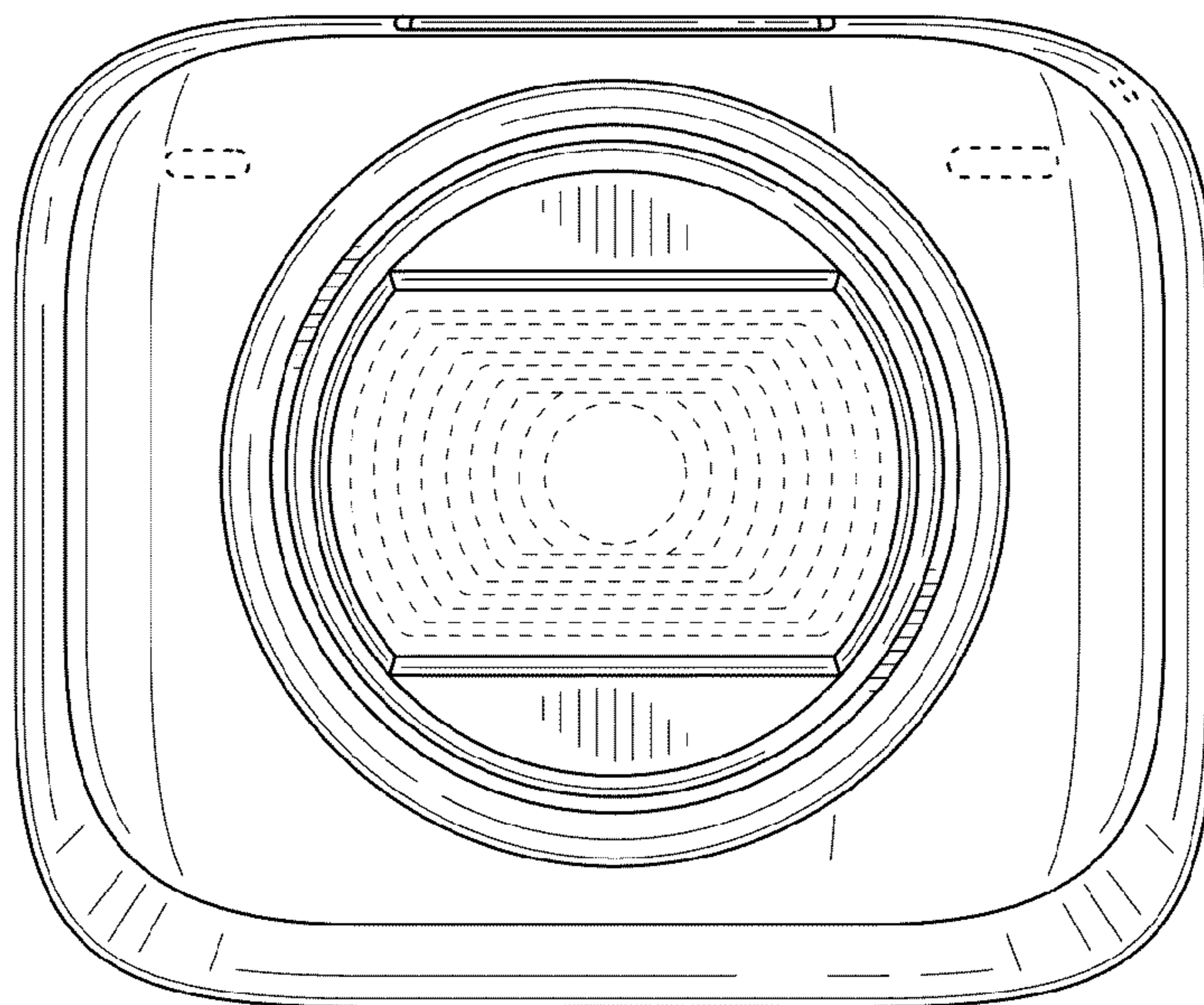


FIG. 9

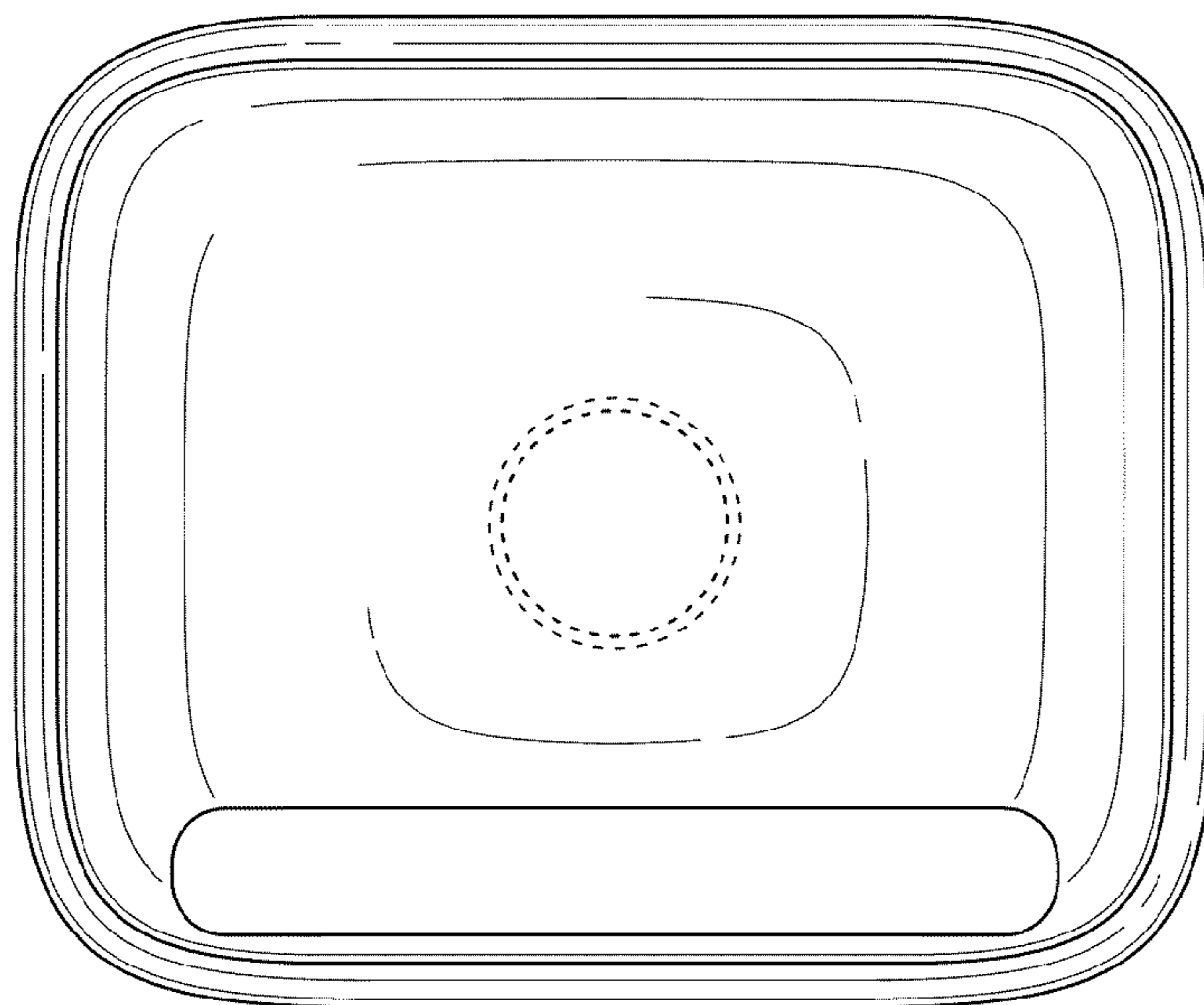


FIG. 10

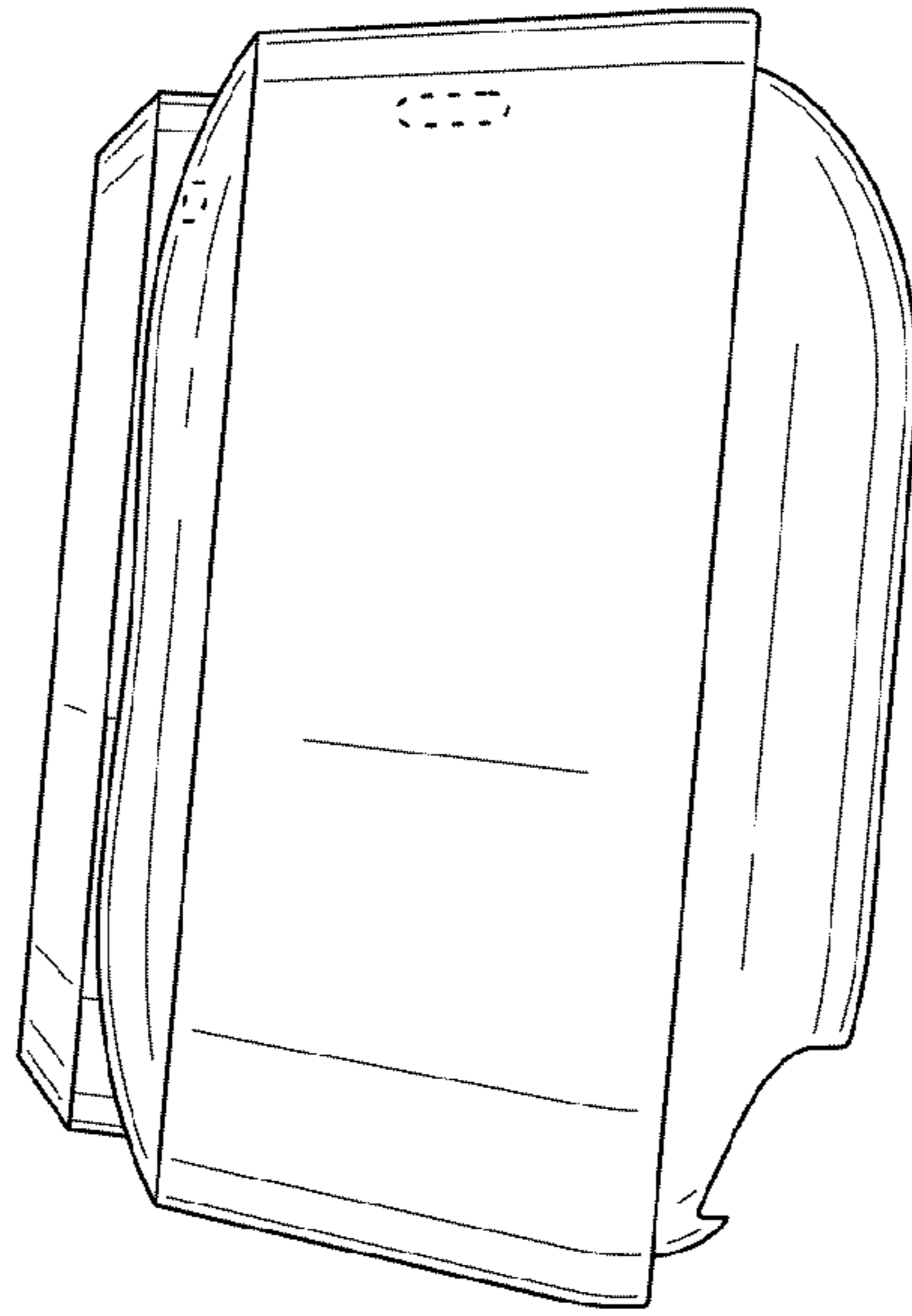


FIG. 11

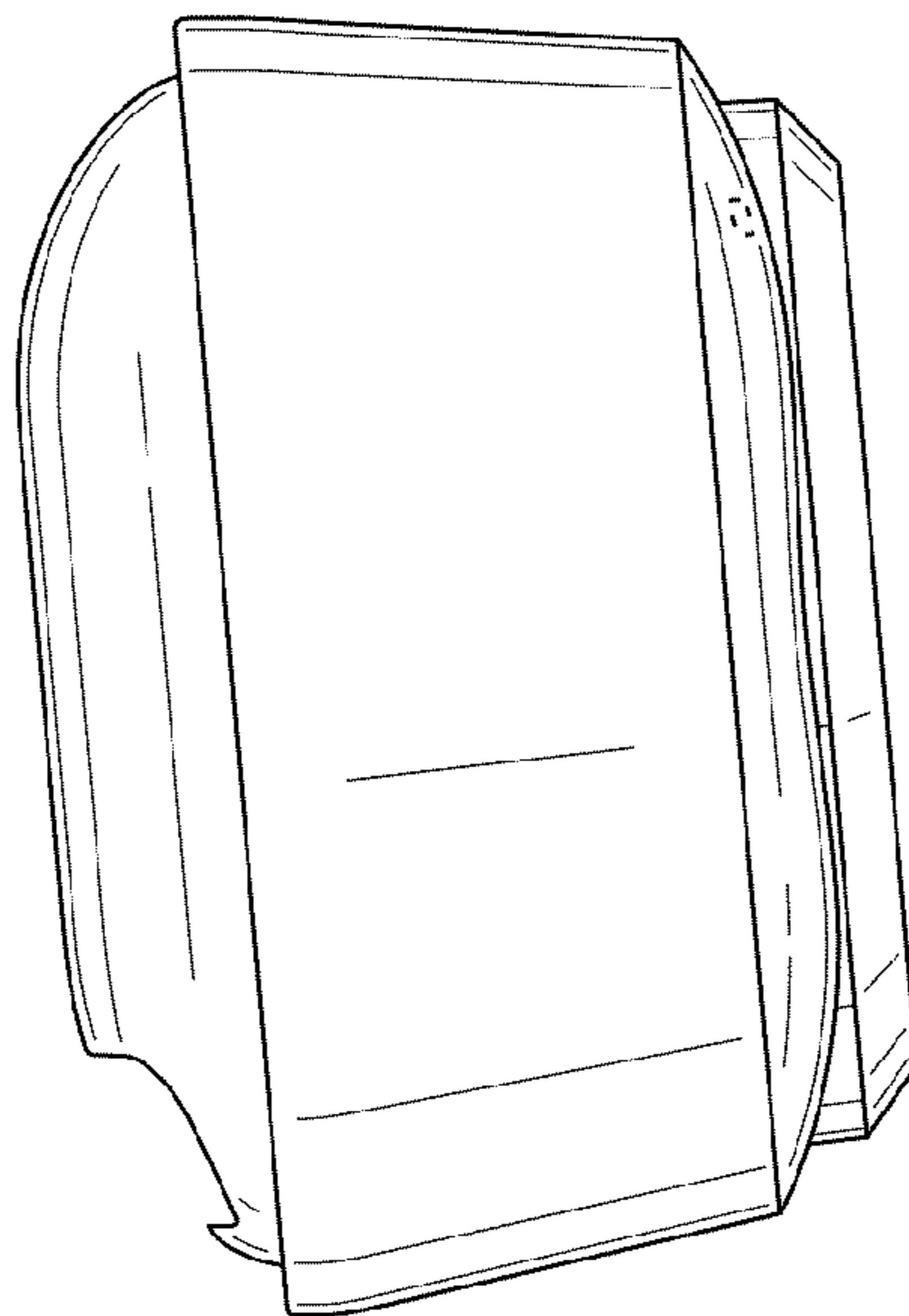


FIG. 12

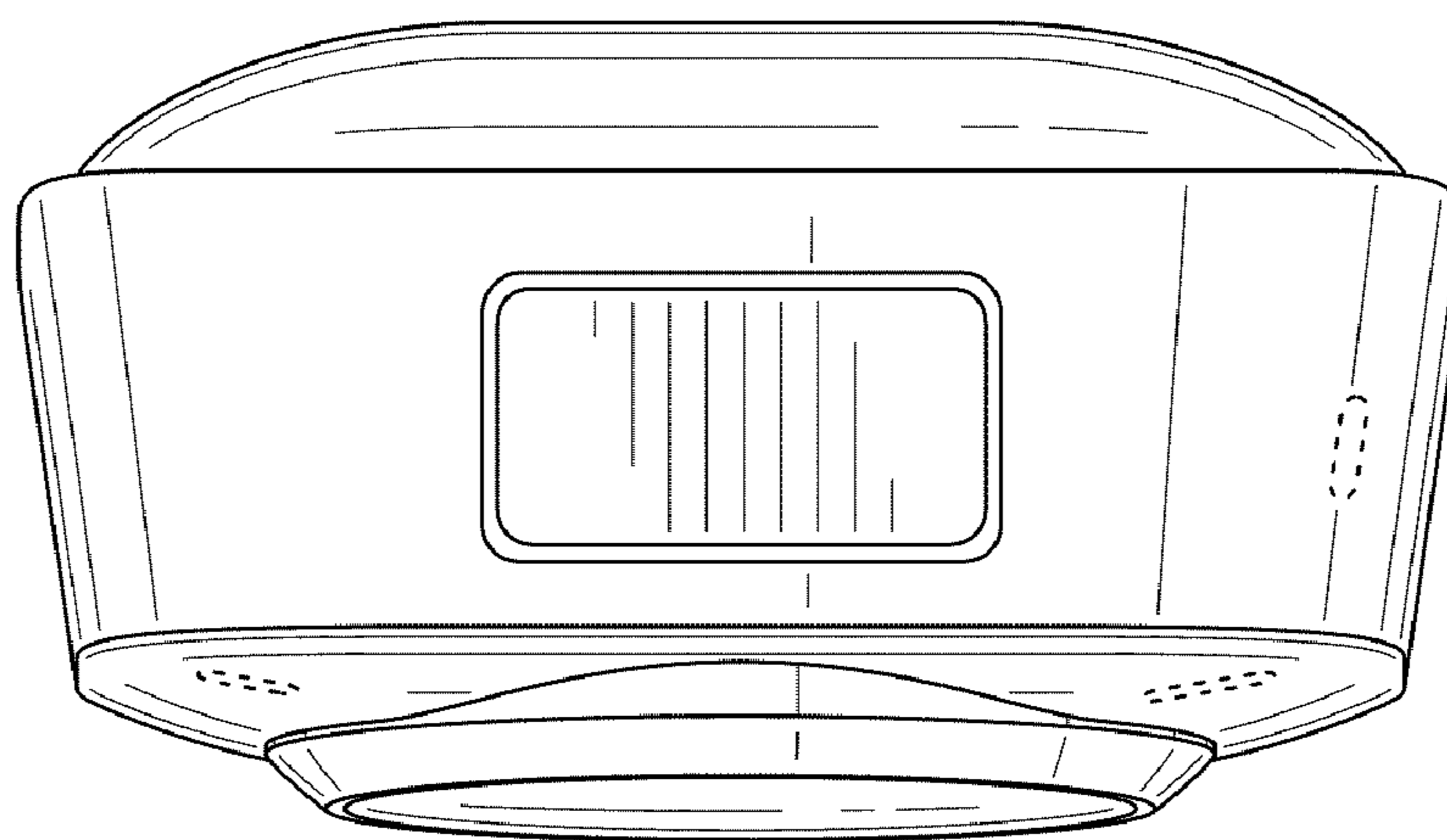


FIG. 13

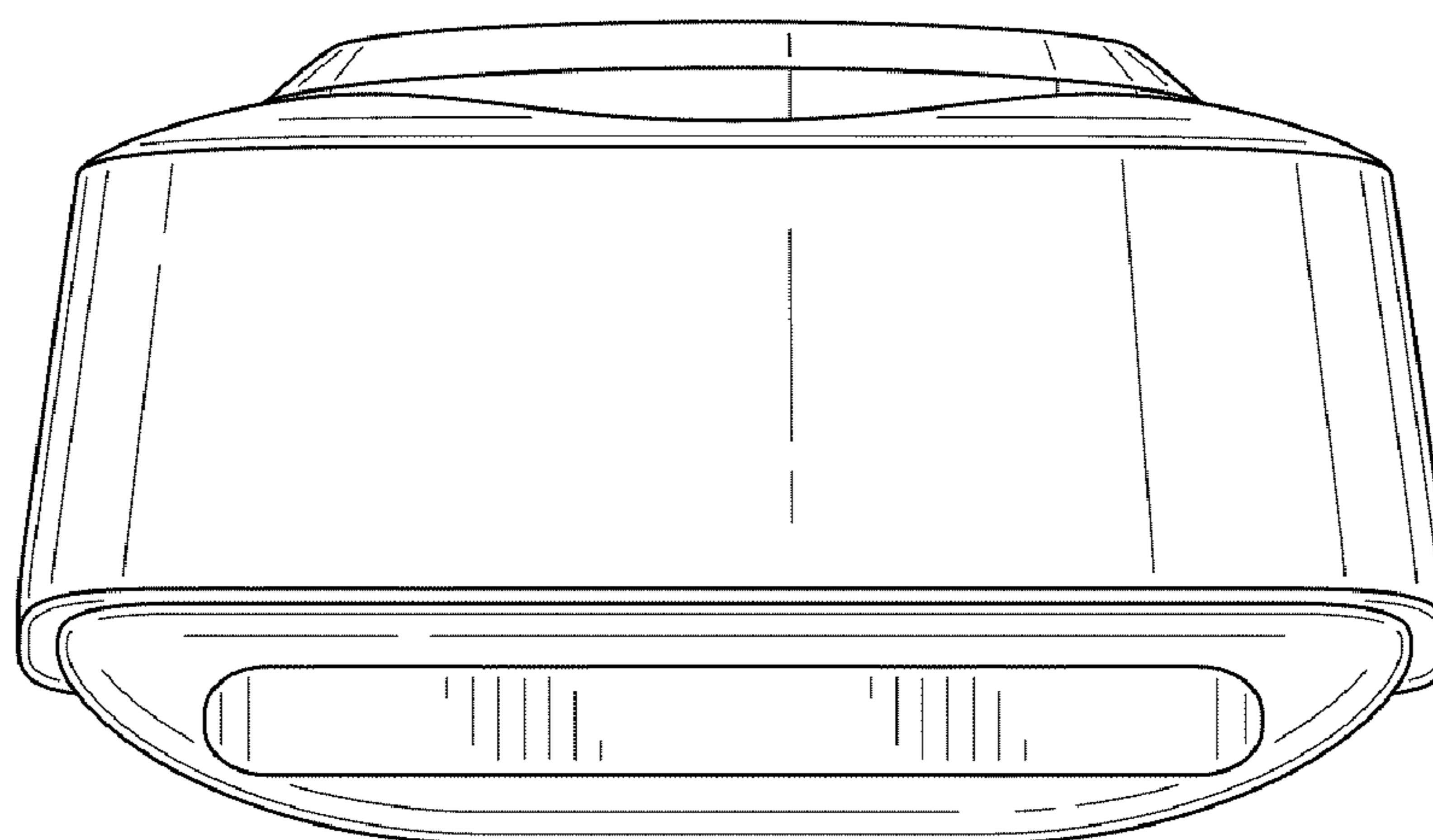


FIG. 14