



US00D647932S

(12) **United States Design Patent**
Nakajima

(10) **Patent No.:** **US D647,932 S**

(45) **Date of Patent:** **** Nov. 1, 2011**

(54) **LIQUID CRYSTAL DISPLAY IN VIEWFINDER OF A LASER RANGEFINDER**

(75) Inventor: **Ayumi Nakajima**, Kamakura (JP)

(73) Assignee: **Nikon Vision Co., Ltd.**, Tokyo (JP)

(**) Term: **14 Years**

(21) Appl. No.: **29/367,816**

(22) Filed: **Aug. 13, 2010**

(30) **Foreign Application Priority Data**

Feb. 17, 2010 (JP) 2010-003578

(51) **LOC (9) Cl.** **16-06**

(52) **U.S. Cl.** **D16/136**

(58) **Field of Classification Search** D16/136,
D16/130, 132, 133, 134, 135, 137; D14/491,
D14/485; D10/70, 74, 65; D20/11; D18/12.3;
73/431; 250/559.24; 33/505, 783, 784, 787,
33/810, 811; D22/108; 349/1

See application file for complete search history.

(56) **References Cited**

U.S. PATENT DOCUMENTS

D170,184 S *	8/1953	Collins et al.	D10/74
3,381,380 A *	5/1968	Thomas	33/297
D257,832 S *	1/1981	Flint et al.	D10/67
D272,608 S *	2/1984	Wesner et al.	D10/74
D277,113 S *	1/1985	Gordon	D20/11
D293,301 S *	12/1987	Deering	D10/62
D399,438 S *	10/1998	Lamento	D10/70
D464,033 S *	10/2002	Piano-Poirier	D14/144
D466,129 S *	11/2002	Bungert	D14/489

D525,981 S *	8/2006	Hally et al.	D14/485
D532,477 S *	11/2006	Zaderey et al.	D22/108
D533,615 S *	12/2006	Sisk et al.	D22/108
D562,428 S *	2/2008	Peters et al.	D22/108
D596,055 S *	7/2009	Bryant et al.	D10/65
7,721,455 B2 *	5/2010	Matsumiya et al.	33/505
7,944,422 B2 *	5/2011	Ogasawara et al.	345/87

* cited by examiner

Primary Examiner — Paula Greene

(74) *Attorney, Agent, or Firm* — Oliff & Berridge, PLC

(57) **CLAIM**

The ornamental design for a liquid crystal display in viewfinder of a laser rangefinder, as shown and described.

DESCRIPTION

FIG. 1 is a front view of a liquid crystal display in viewfinder of a laser rangefinder;

FIG. 2 is an enlarged front view of a first image thereof;

FIG. 3 is an enlarged front view of a second image thereof;

FIG. 4 is an enlarged front view of a third image thereof;

FIG. 5 is an enlarged front view of a fourth image thereof;

FIG. 6 is an enlarged front view of a fifth image thereof;

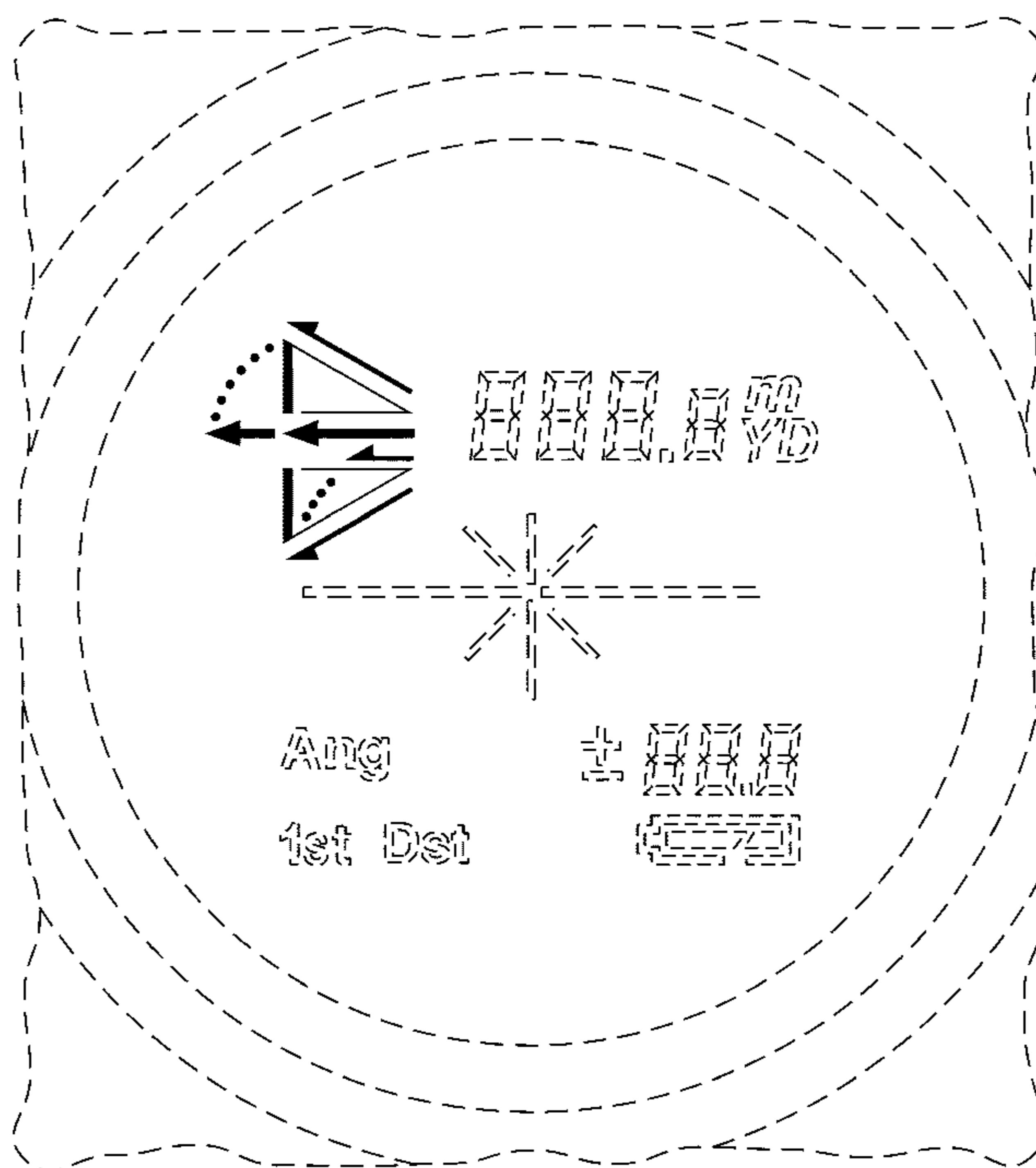
FIG. 7 is an enlarged front view of a sixth image thereof; and,

FIG. 8 is an enlarged front view of a seventh image thereof showing all lighting states of the display.

The appearance of the liquid crystal display of the laser rangefinder transitions between the different lighting states shown in FIGS. 2-8. The process or period in which one image transitions to another forms no part of the claimed design.

The broken lines depict environmental subject matter only and form no part of the claimed design.

1 Claim, 8 Drawing Sheets



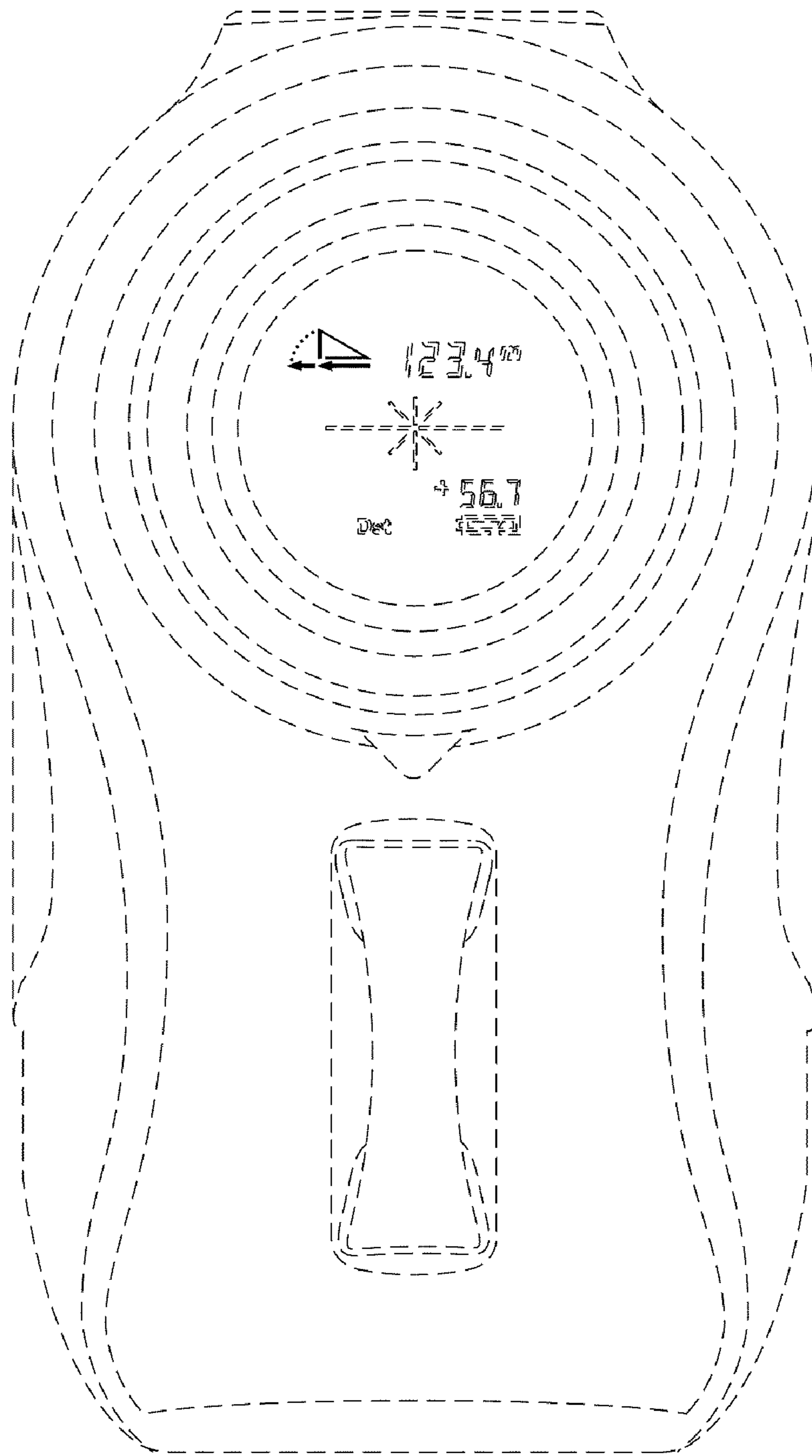


FIG. 1

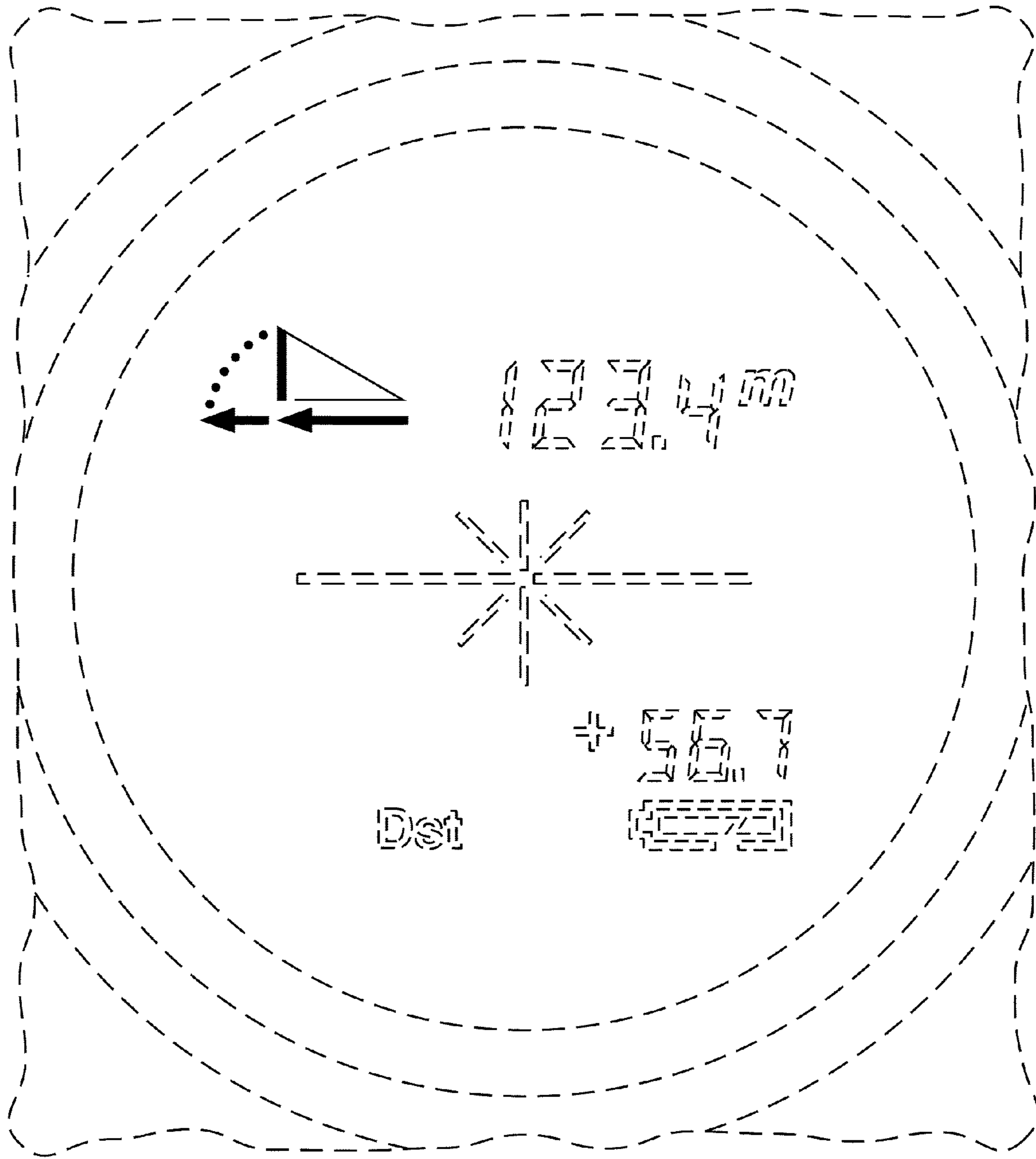


FIG. 2

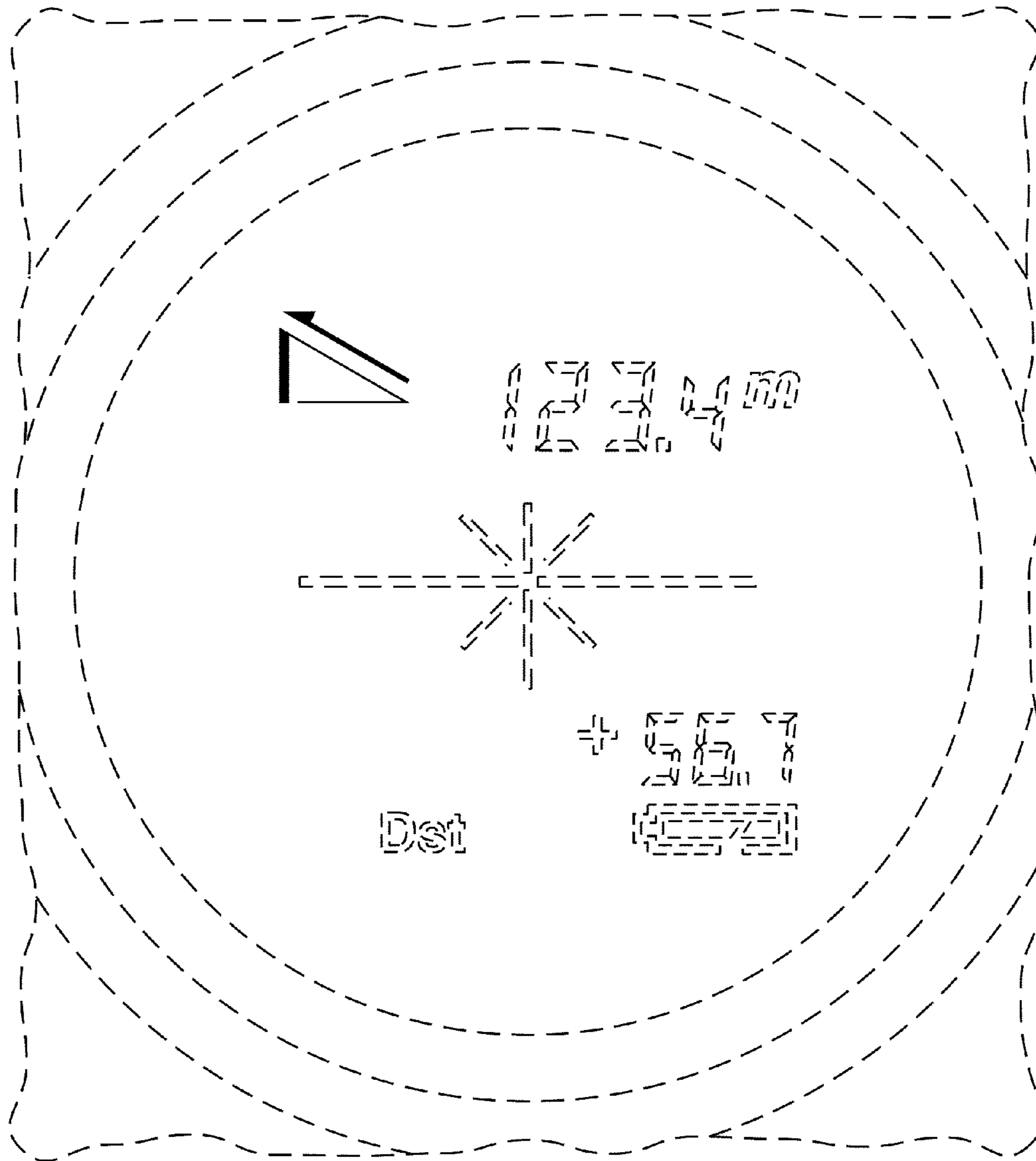


FIG. 3

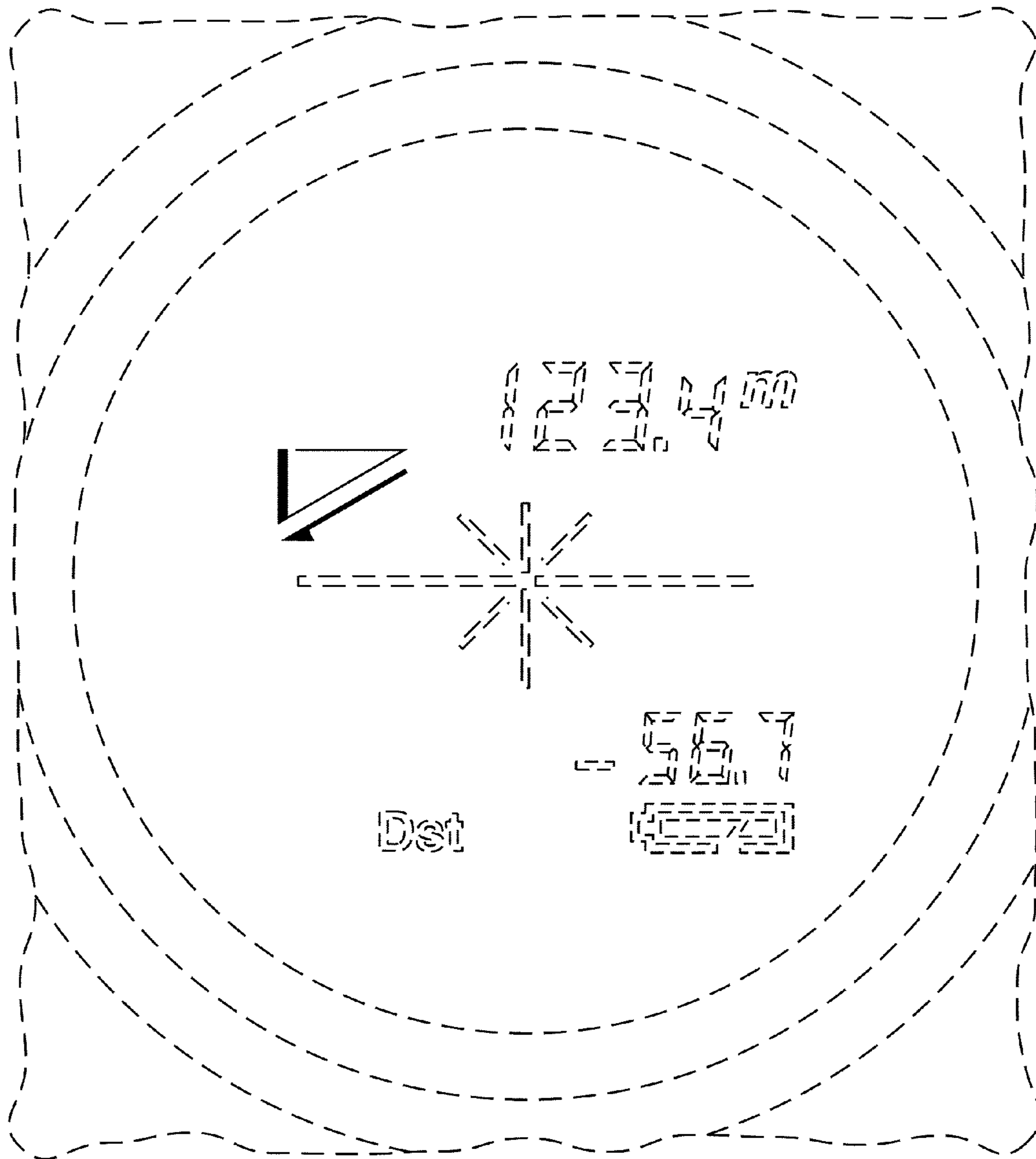


FIG. 4

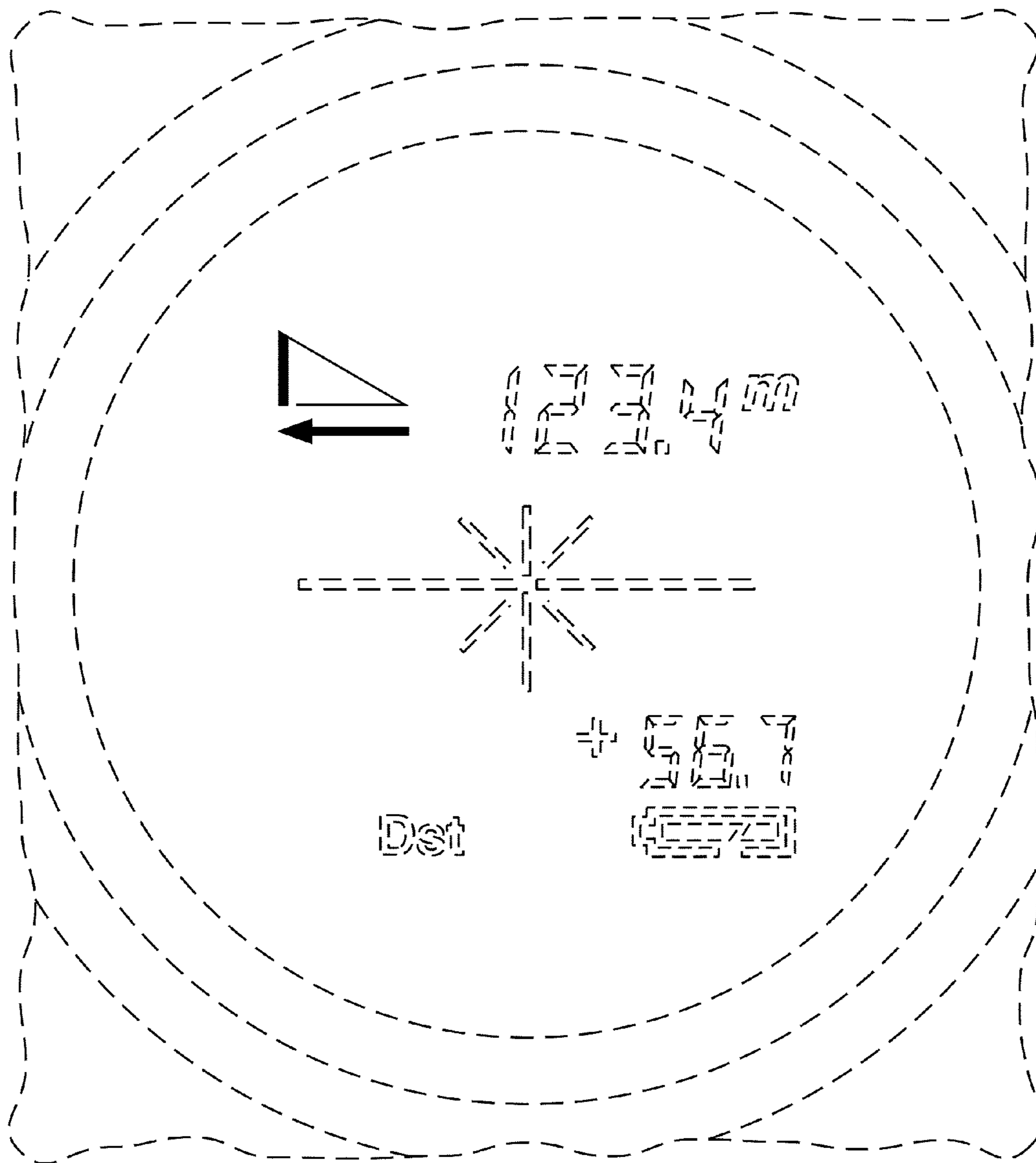


FIG. 5

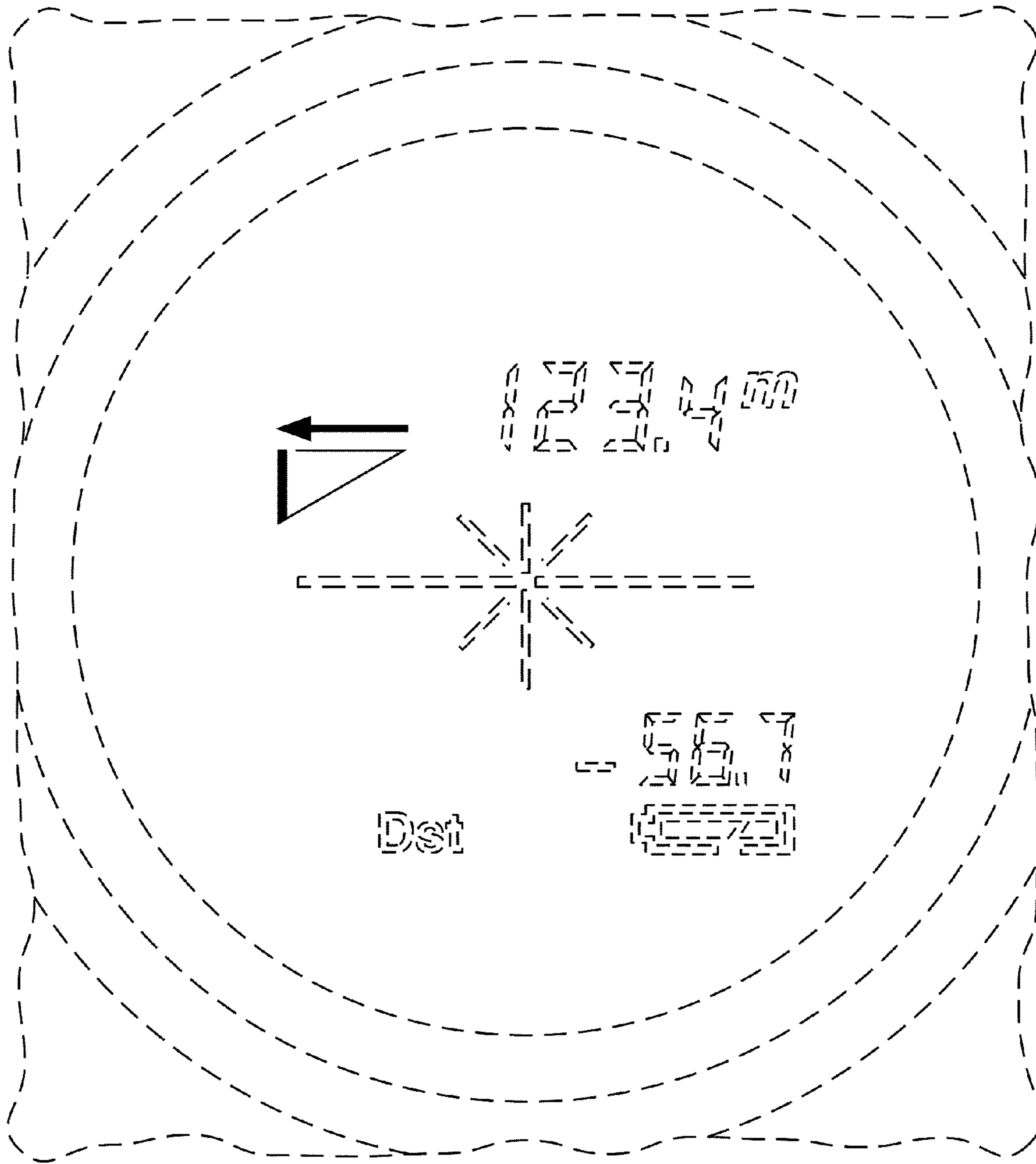


FIG. 6

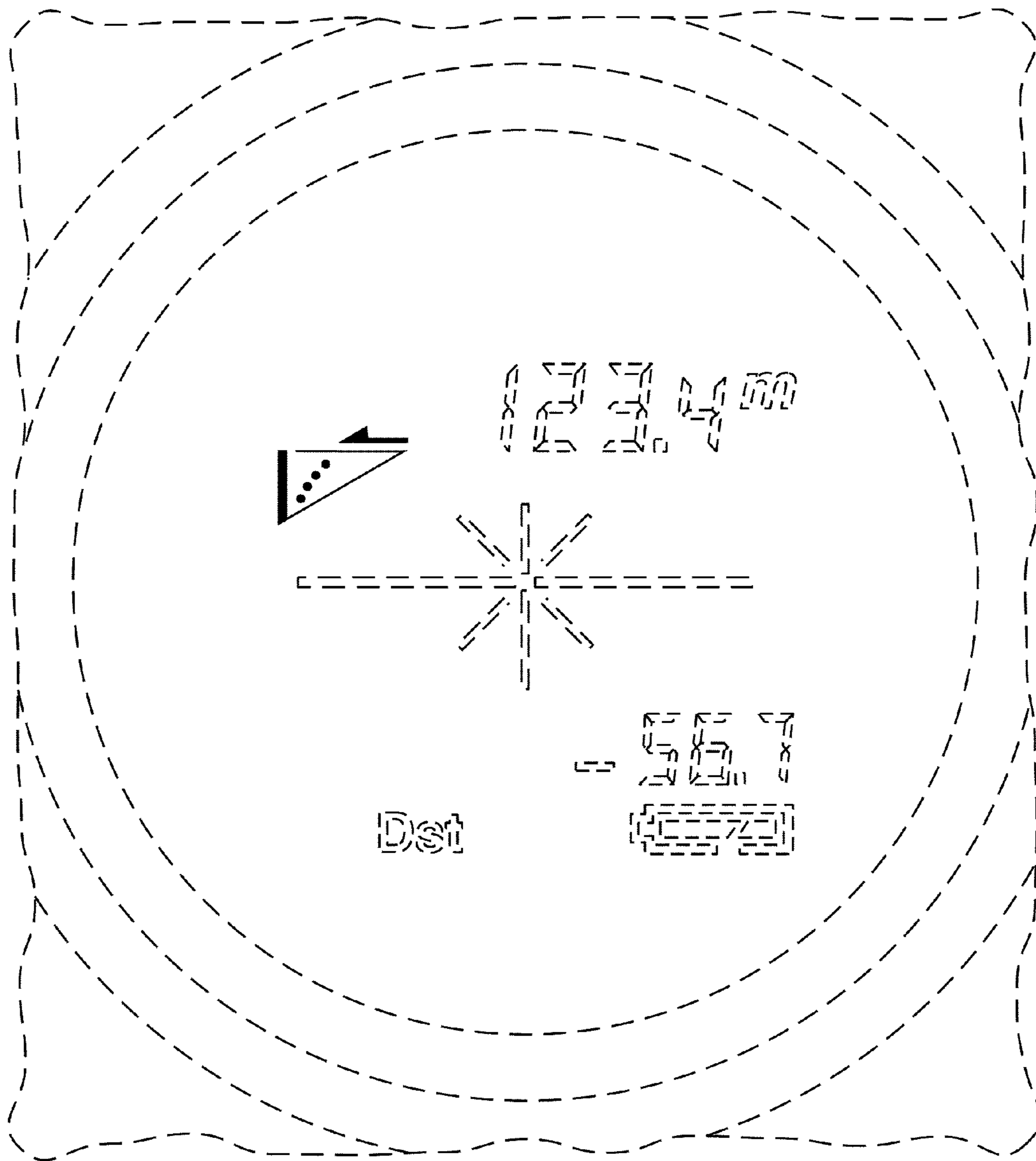


FIG. 7

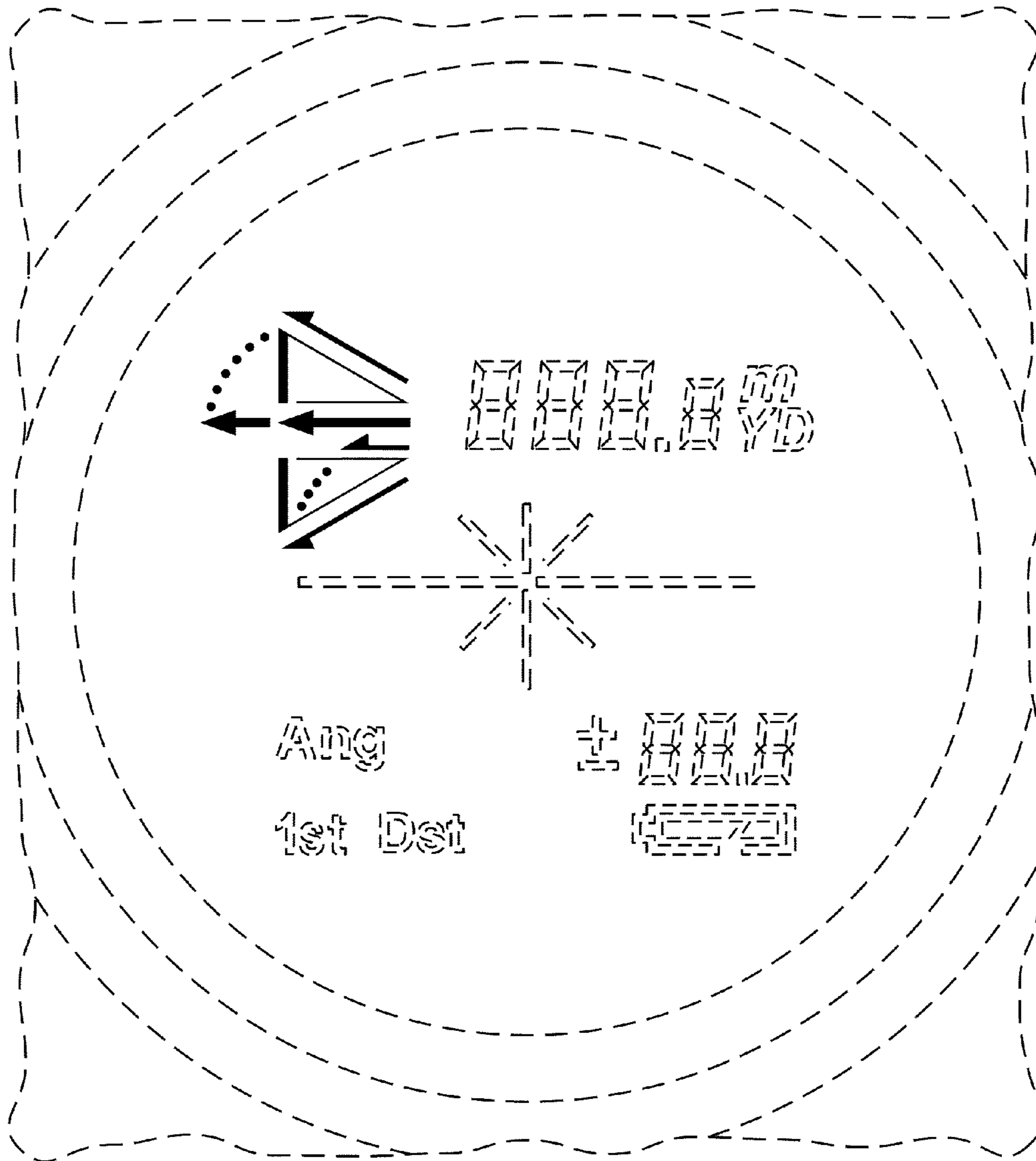


FIG. 8