



US00D647929S

(12) **United States Design Patent**  
**Mesropyan et al.**

(10) **Patent No.:** **US D647,929 S**  
(45) **Date of Patent:** **\*\* Nov. 1, 2011**

(54) **LASER RESONATOR HOUSING**

(75) Inventors: **Ashot Mesropyan**, Fremont, CA (US);  
**Michael L Watts**, Union City, CA (US);  
**Tamara Lovchinsky**, Gahanna, OH  
(US)

(73) Assignee: **Telesis Technologies, Inc.**, Fremont, CA  
(US)

(\*\*) Term: **14 Years**

(21) Appl. No.: **29/363,065**

(22) Filed: **Jun. 4, 2010**

(51) **LOC (9) Cl.** ..... **15-99**

(52) **U.S. Cl.** ..... **D15/199**

(58) **Field of Classification Search** ..... D15/127,  
D15/199; 219/121.6, 121.82, 121.83, 121.85;  
372/10, 13, 39, 40, 71, 72

See application file for complete search history.

(56) **References Cited**

U.S. PATENT DOCUMENTS

D289,406 S \* 4/1987 Shibayama et al. .... D15/199  
5,359,616 A \* 10/1994 Yasui et al. .... 372/39  
6,140,606 A \* 10/2000 Heikilla et al. .... 219/121.82

D621,864 S \* 8/2010 Daiber et al. .... D15/199  
2009/0285256 A1 \* 11/2009 Adamkiewicz et al. .... 372/107  
2010/0270273 A1 \* 10/2010 Sekiya ..... 219/121.6  
2011/0049114 A1 \* 3/2011 Barkhausen et al. .... 219/121.77

\* cited by examiner

*Primary Examiner* — Patricia Palasik

(74) *Attorney, Agent, or Firm* — Raj Abhyanker, P.C.

(57) **CLAIM**

The ornamental design for a laser resonator housing, as shown and described.

**DESCRIPTION**

FIG. 1 is a right perspective view of a laser resonator housing of the present invention;

FIG. 2 is a top view of the laser resonator housing of FIG. 1;

FIG. 3 is a left view of the laser resonator housing of FIG. 1;

FIG. 4 is a bottom view of the laser resonator housing of FIG. 1;

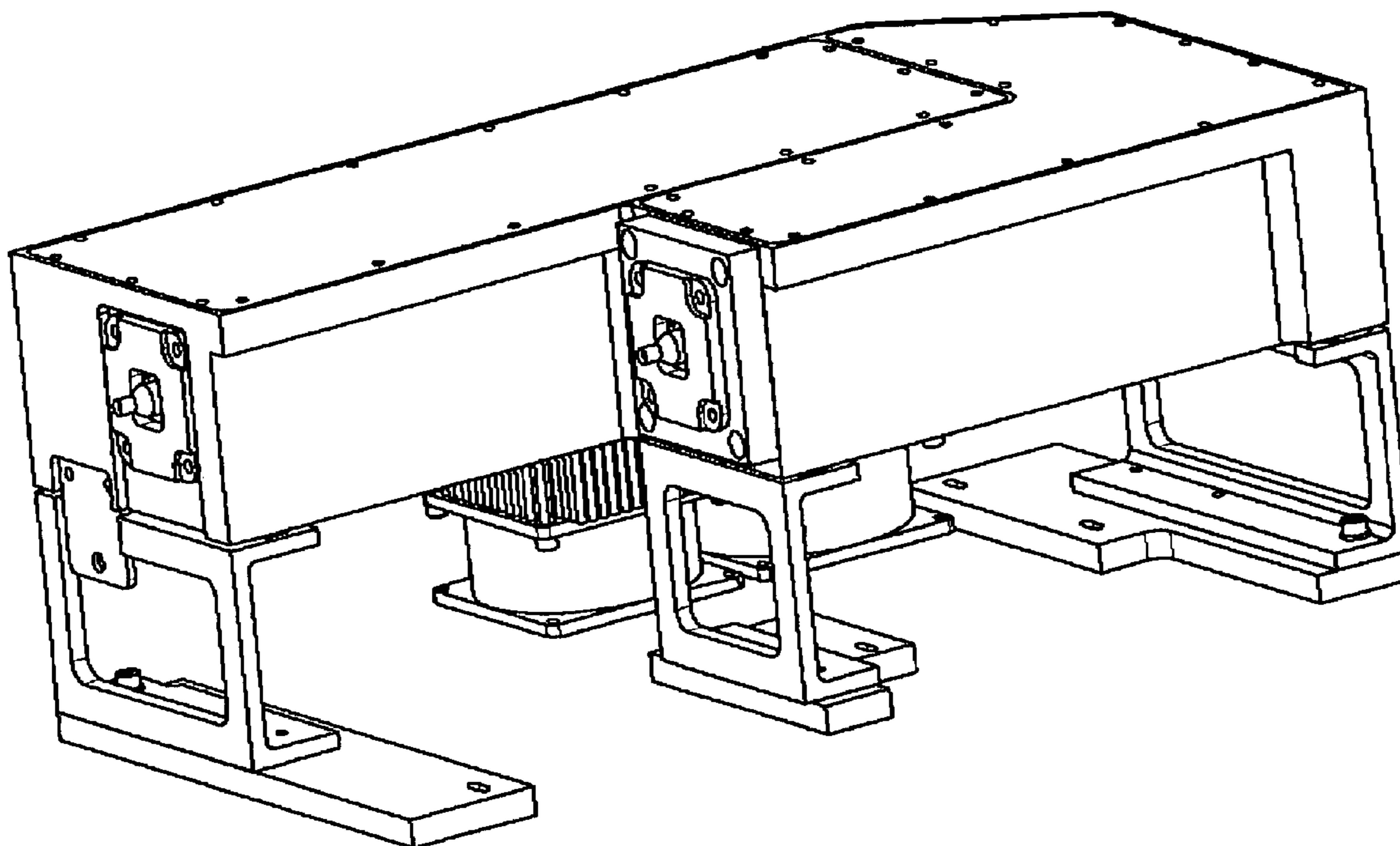
FIG. 5 is a front view of the laser resonator housing of FIG. 1;

FIG. 6 is a rear view of the laser resonator housing of FIG. 1;

and,

FIG. 7 is a top view of the laser resonator housing of FIG. 1, the interior components being shown in broken lines for illustrative purposes only.

**1 Claim, 7 Drawing Sheets**



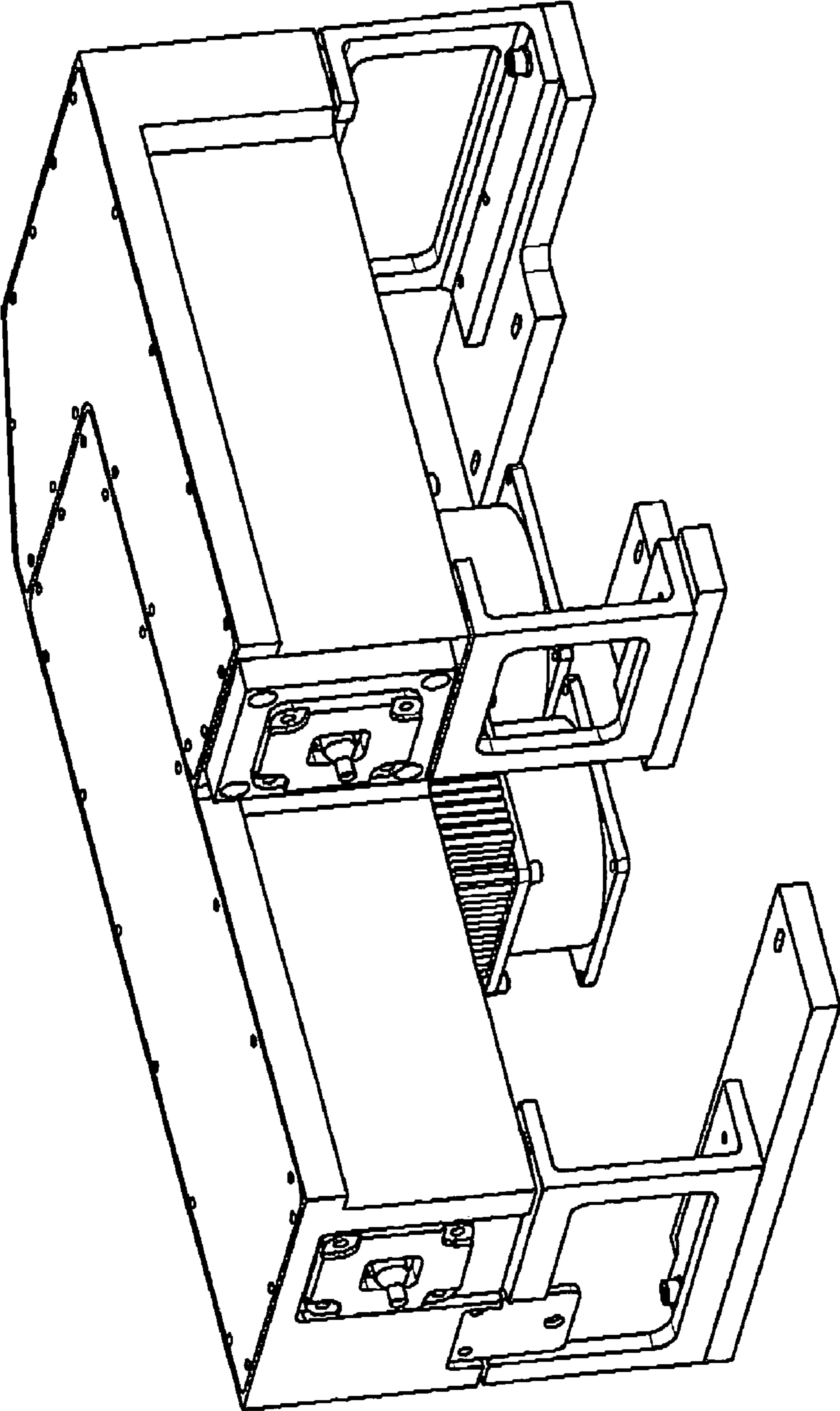


FIGURE 1

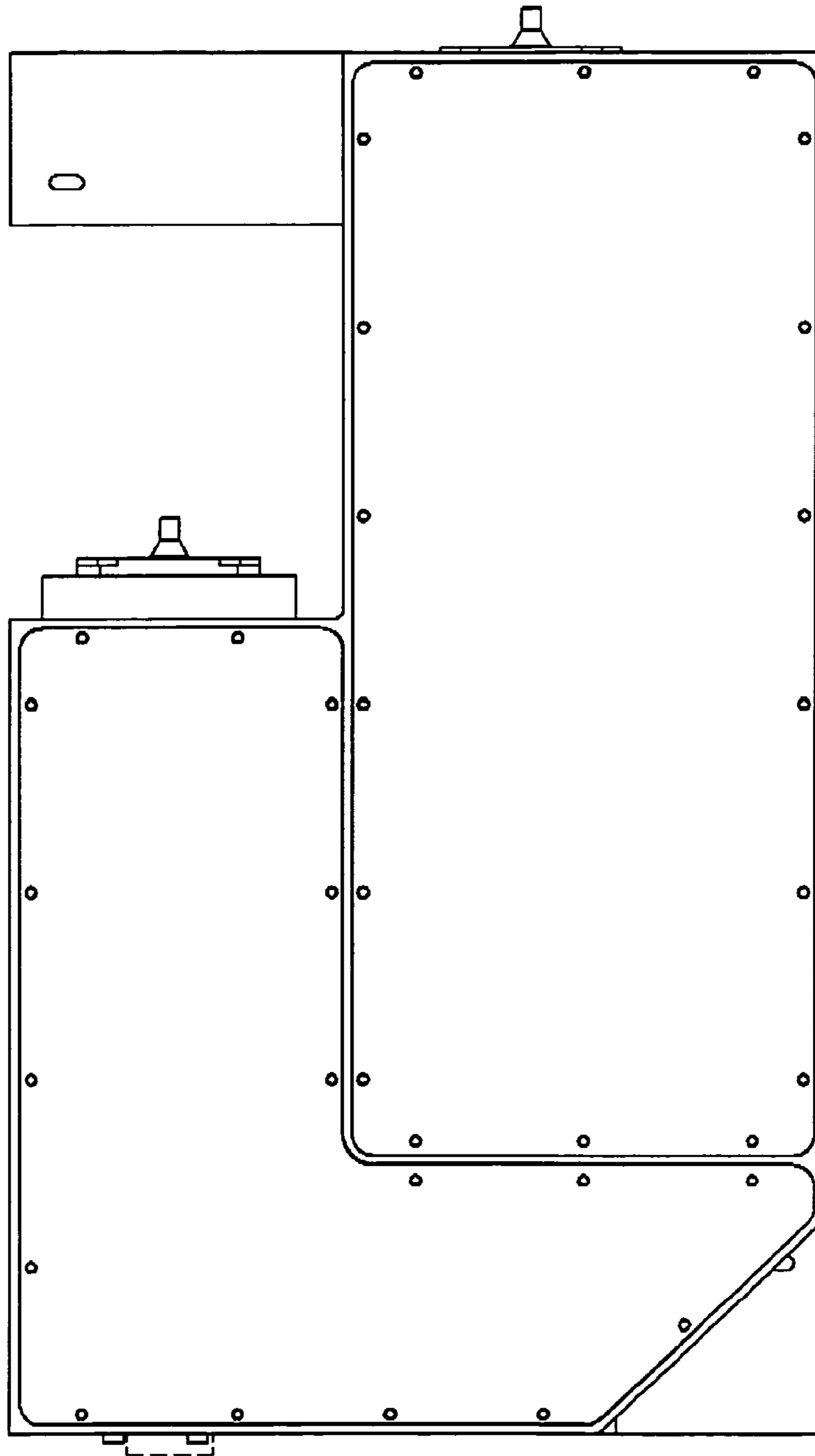


FIGURE 2

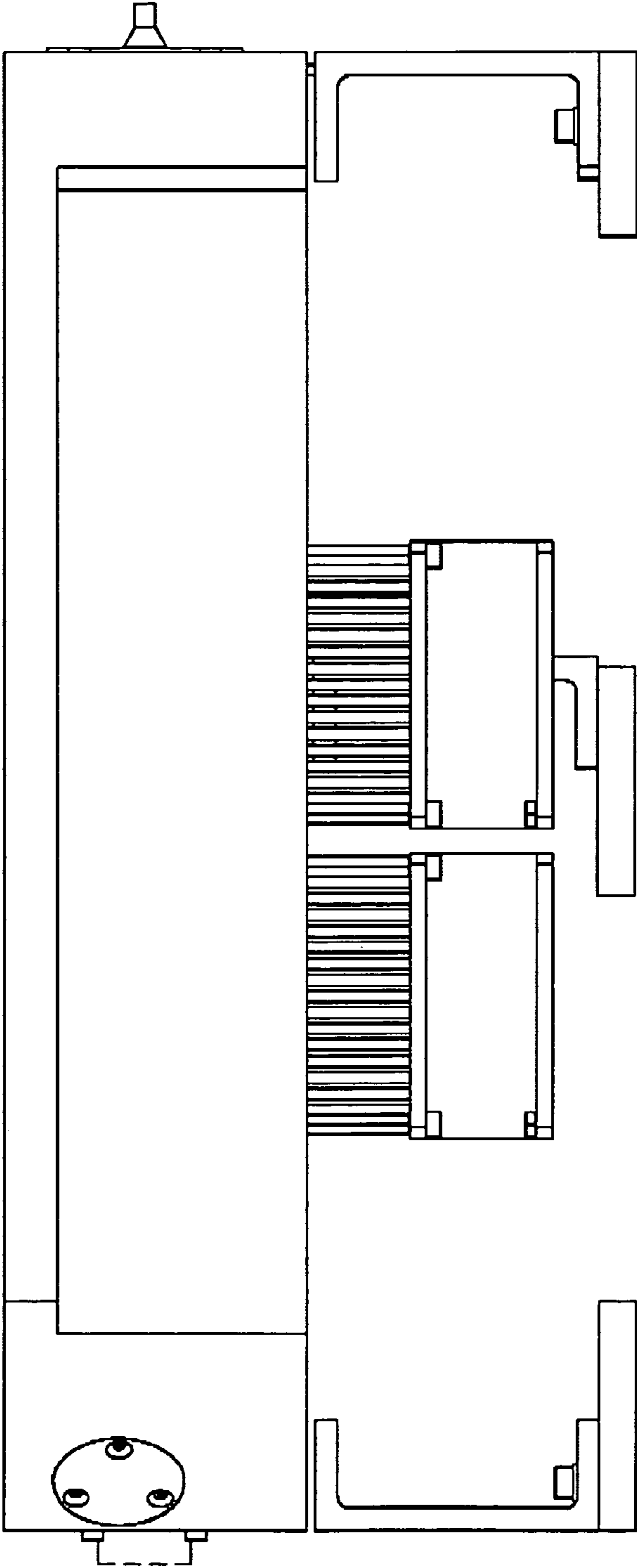


FIGURE 3

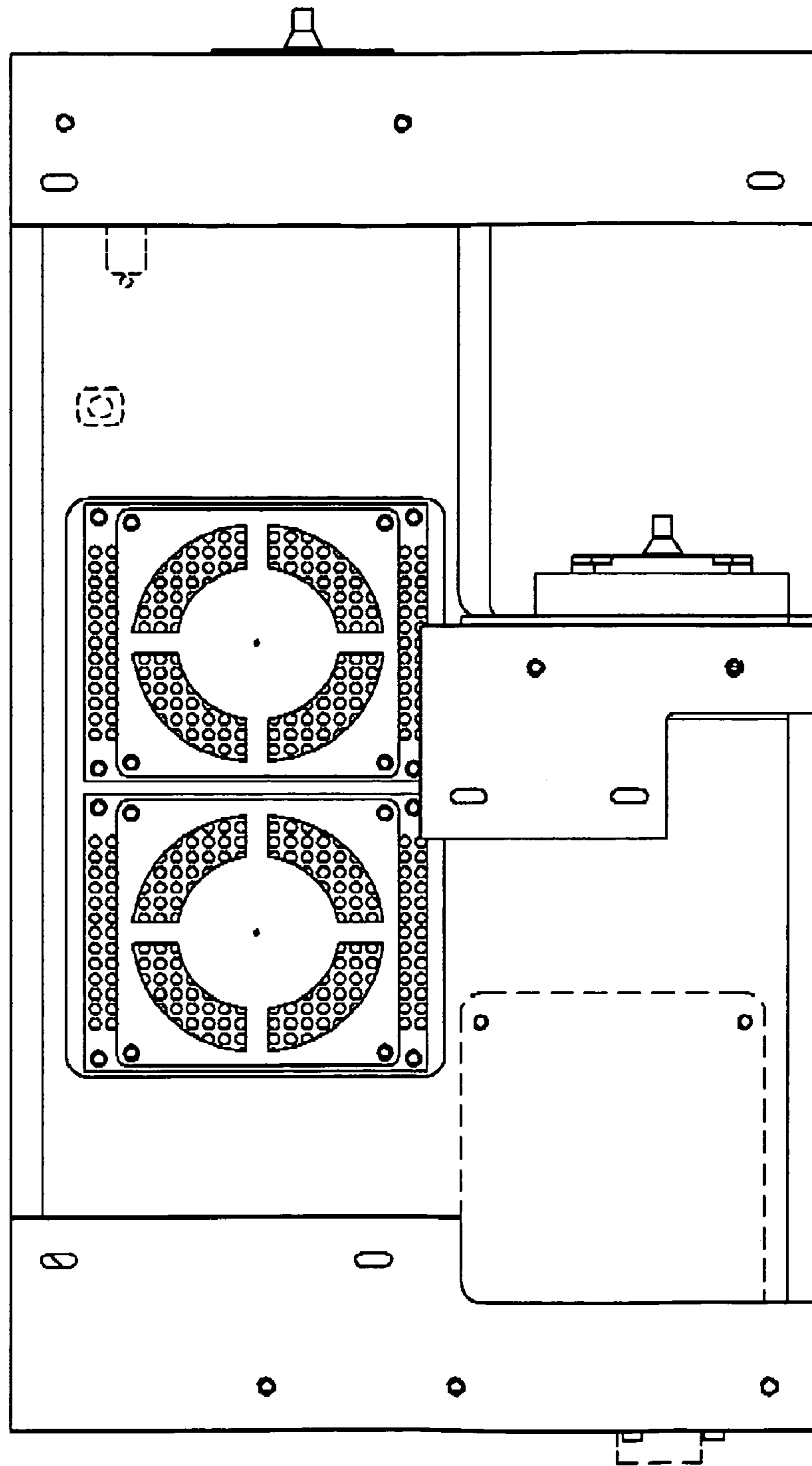


FIGURE 4

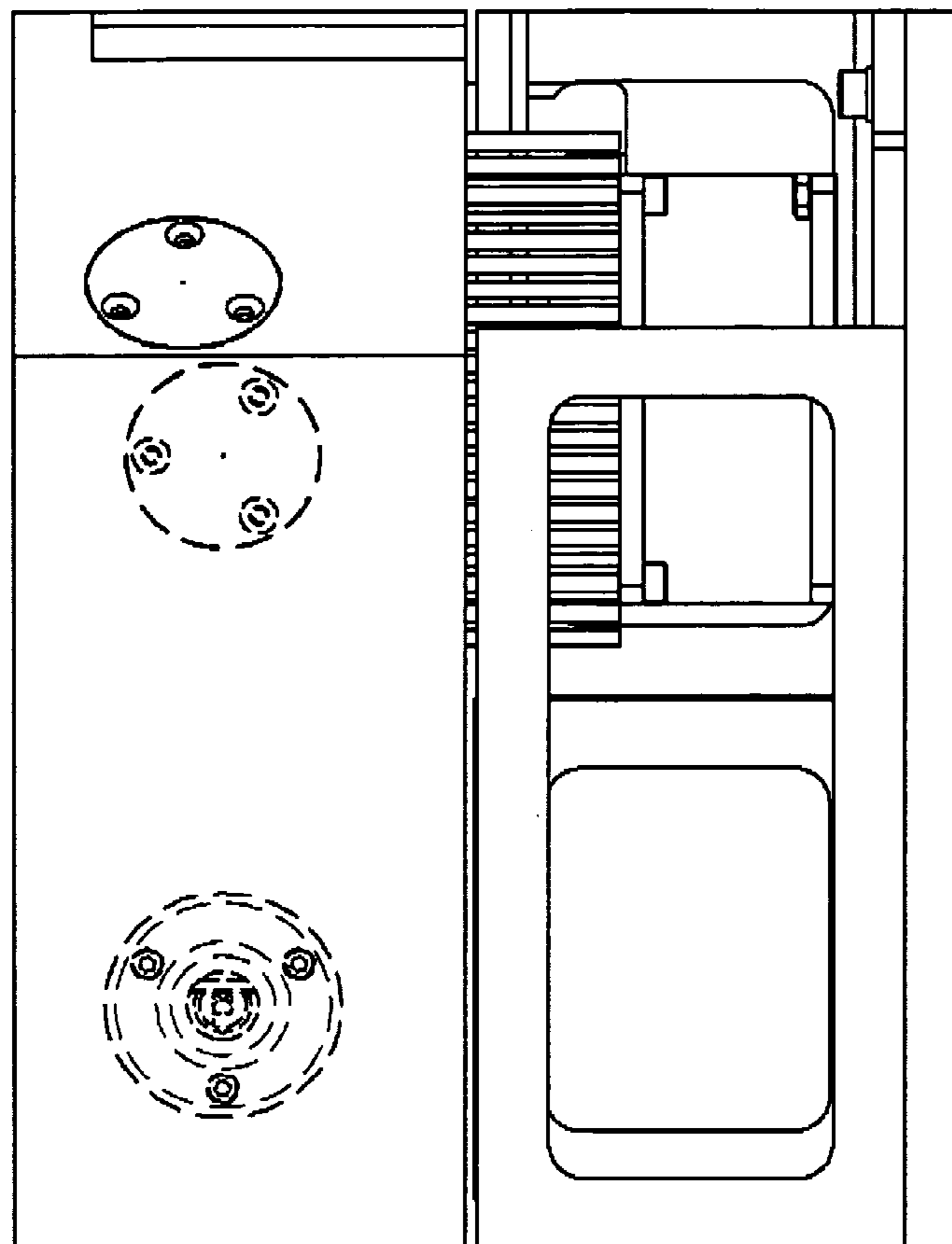


FIGURE 5

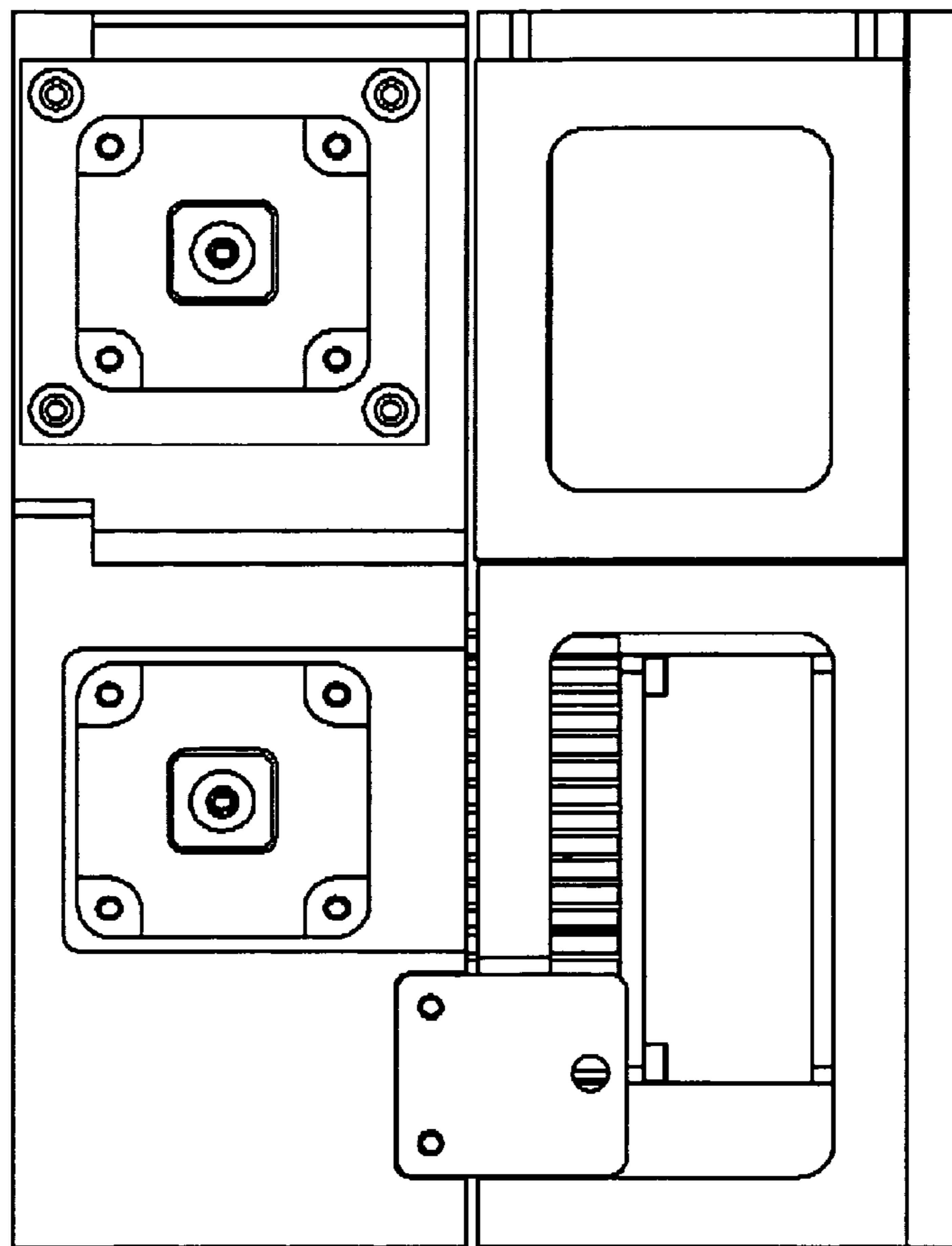


FIGURE 6

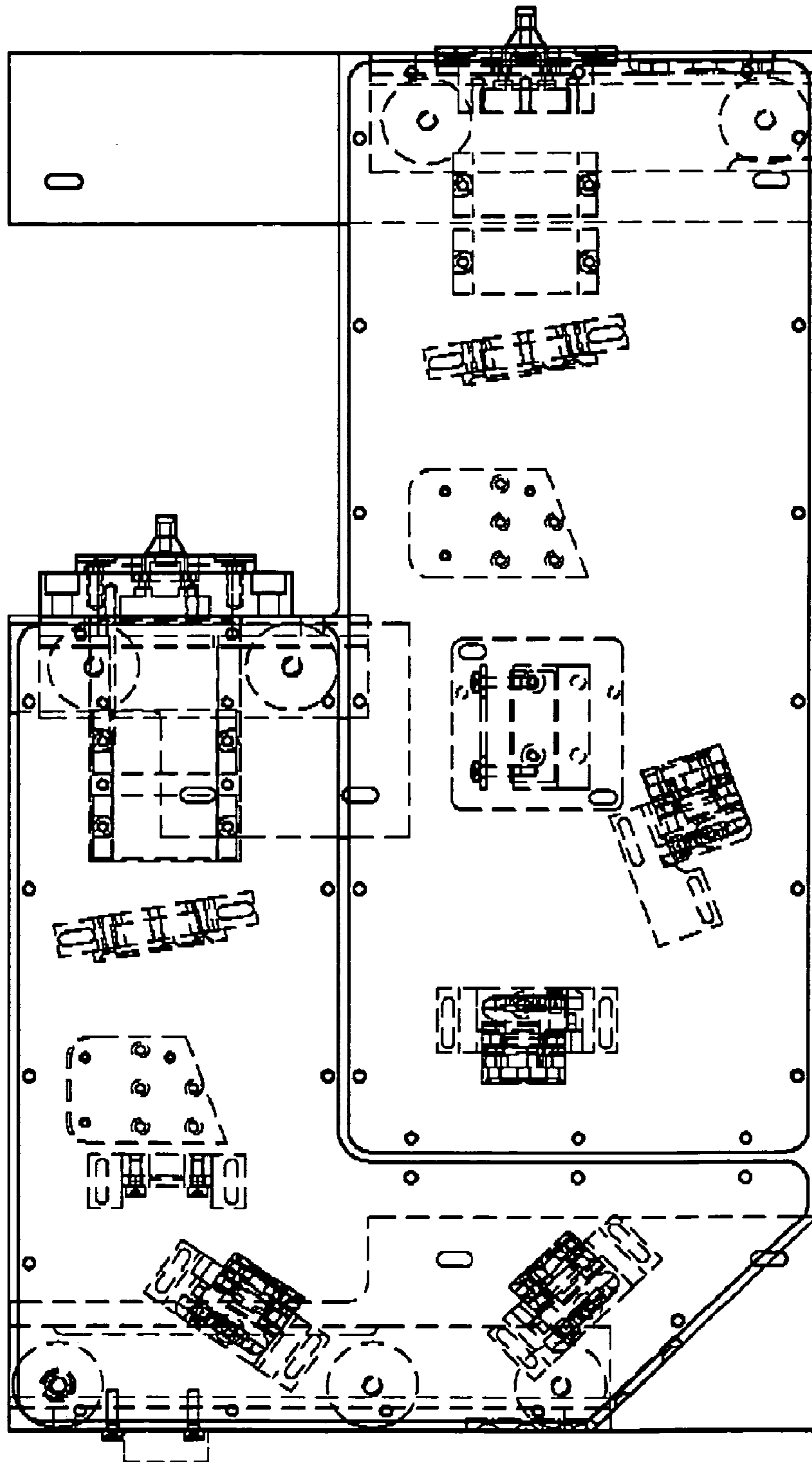


FIGURE 7