



US00D647926S

(12) **United States Design Patent**
Jones et al.

(10) **Patent No.:** **US D647,926 S**
(45) **Date of Patent:** **** Nov. 1, 2011**

(54) **KIOSK AND MACHINE FOR ASSEMBLY OF FROZEN CONFECTIONERY**

(75) Inventors: **Allan S. Jones**, Awendaw, SC (US);
Jack F. Rutledge, Chattanooga, TN (US);
James S. Wolf, Silver Lake, OH (US);
Jeffrey L. Redington, Nooksack, WA (US);
Scott E. Osborn, Knoxville, TN (US)

(73) Assignee: **Robofusion, Inc.**, Awendaw, SC (US)

(**) Term: **14 Years**

(21) Appl. No.: **29/379,002**

(22) Filed: **Nov. 12, 2010**

Related U.S. Application Data

(63) Continuation-in-part of application No. 11/669,768,
filed on Jan. 31, 2007, now Pat. No. 7,896,038.

(51) **LOC (9) Cl.** **15-07**

(52) **U.S. Cl.** **D15/79**

(58) **Field of Classification Search** D15/79,
D15/81-83; 426/516, 518; 141/103, 9, 198;
99/450.1, 286, 304, 306, 386; D7/374; D20/1;
D21/811

See application file for complete search history.

(56) **References Cited**

U.S. PATENT DOCUMENTS

2,728,306	A *	12/1955	Tarr	426/516
3,876,110	A	4/1975	Logie	
4,009,740	A	3/1977	Michielli	
4,174,742	A	11/1979	Murphey	
4,324,059	A	4/1982	Baum	
4,645,093	A	2/1987	Jones	
4,860,876	A	8/1989	Moore et al.	
4,889,210	A	12/1989	Alcaraz et al.	
4,942,910	A	7/1990	Hamamura	

5,027,698	A	7/1991	Chirnomas	
5,727,609	A	3/1998	Knight et al.	
5,893,485	A	4/1999	McGill	
5,959,869	A	9/1999	Miller et al.	
6,328,180	B1	12/2001	Sorensen et al.	
6,390,334	B1	5/2002	Kim et al.	
6,513,677	B1	2/2003	Sorensen et al.	
6,560,973	B2	5/2003	Jones et al.	
D478,100	S *	8/2003	Wade	D15/82
6,899,337	B2	5/2005	Fisher et al.	
6,929,149	B2	8/2005	Selfridge et al.	
7,052,728	B2	5/2006	Kateman et al.	
7,128,237	B2	10/2006	Holdway et al.	
7,128,239	B2	10/2006	Skavnak	
7,896,038	B2 *	3/2011	Jones et al.	141/103
2004/0251270	A1	12/2004	Davis et al.	
2005/0211768	A1	9/2005	Stillman	

FOREIGN PATENT DOCUMENTS

EP	1450318	8/2004
WO	9115833	4/1991

* cited by examiner

Primary Examiner — Mitchell Siegel

(74) *Attorney, Agent, or Firm* — Sand & Sebolt

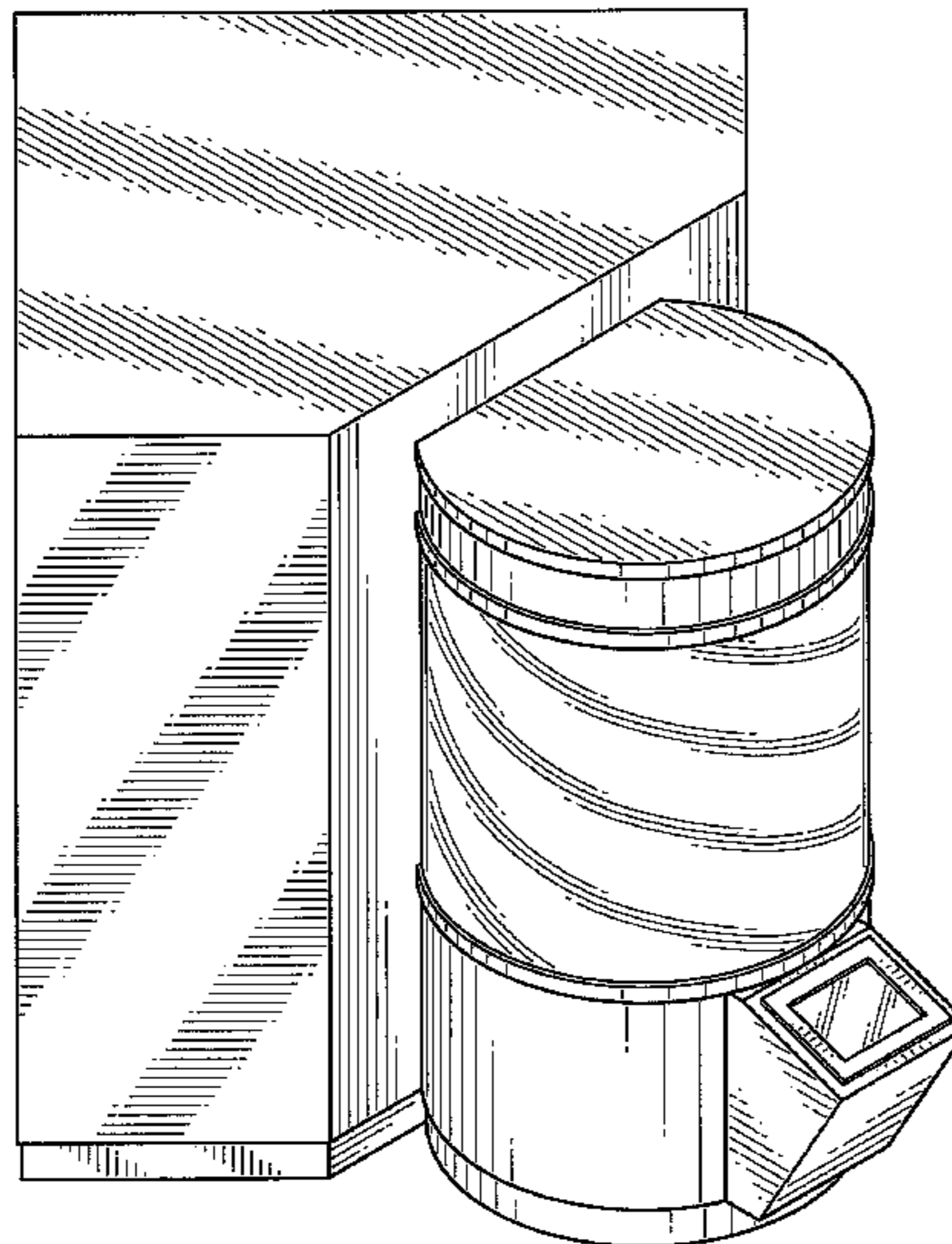
(57) **CLAIM**

The ornamental design for a kiosk and machine for assembly of frozen confectionery, as shown and described.

DESCRIPTION

FIG. 1 is a perspective front view of the kiosk and machine in accordance with the present design;
FIG. 2 is a front view thereof;
FIG. 3 is a top view thereof;
FIG. 4 is a rear view thereof;
FIG. 5 is a left side view thereof; and,
FIG. 6 is a right side view thereof.
The bottom of the kiosk and machine for assembly of frozen confectionery is flat and unornamented and therefor forms no part of the claimed design.

1 Claim, 6 Drawing Sheets



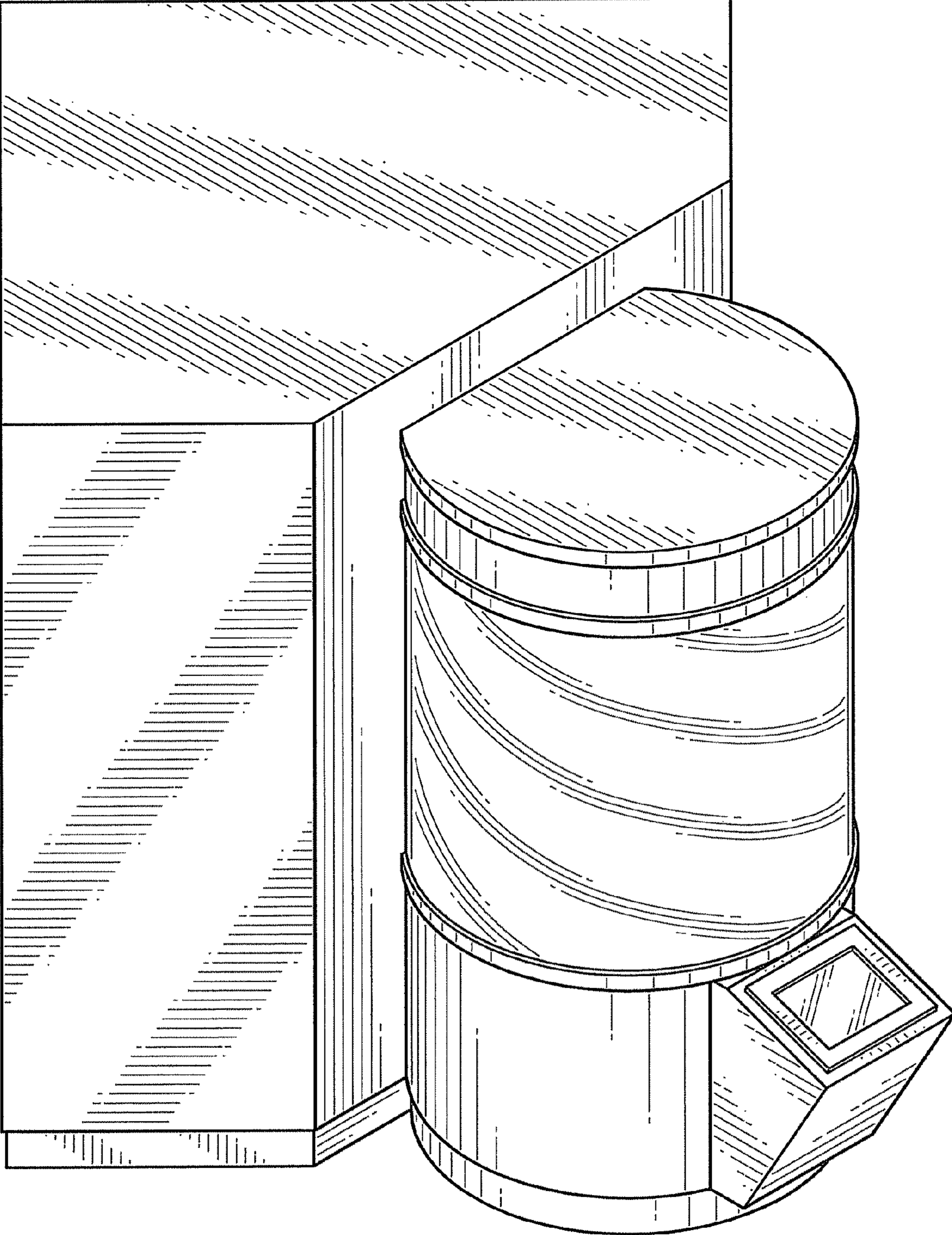


FIG-1

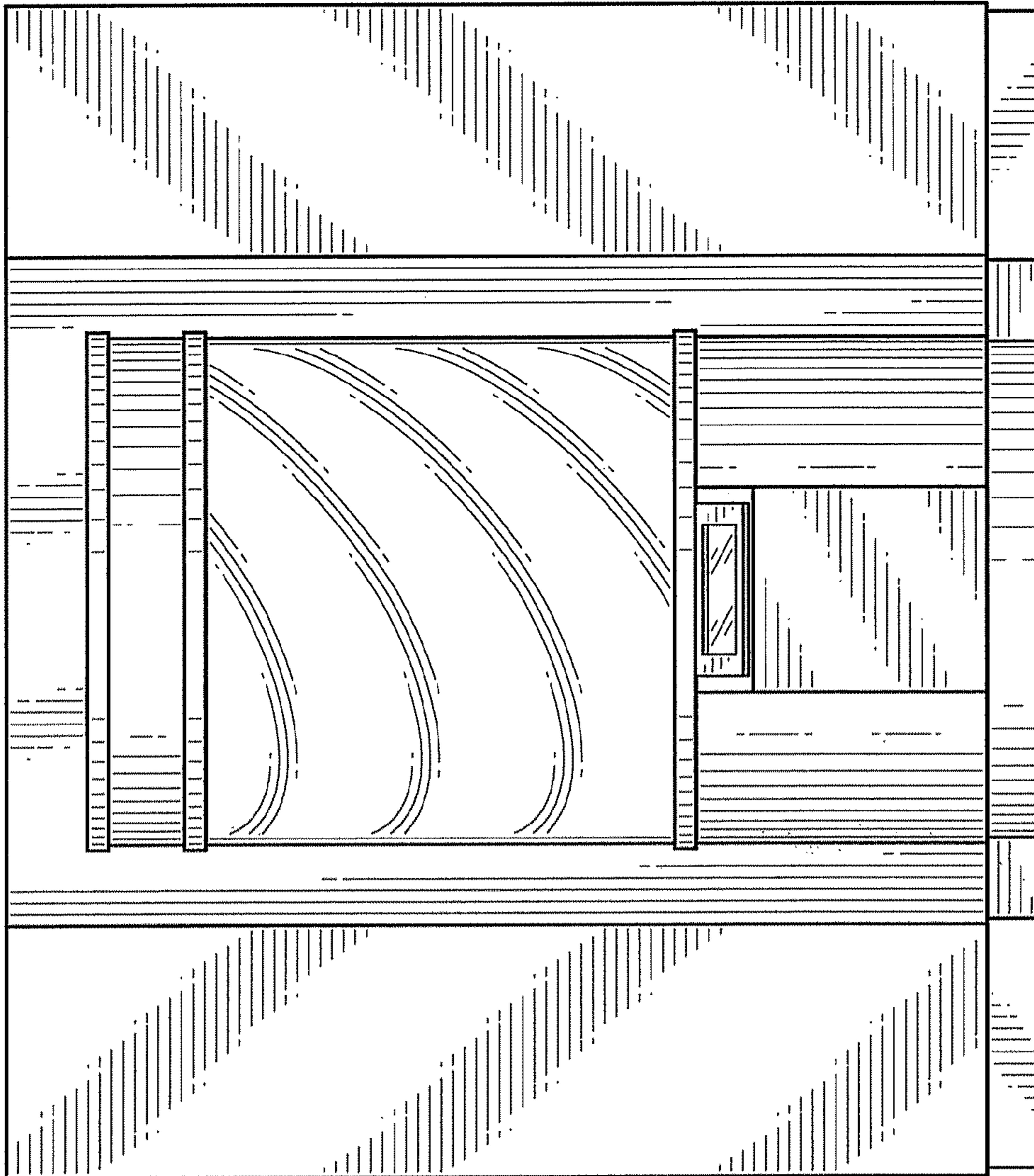


FIG-2

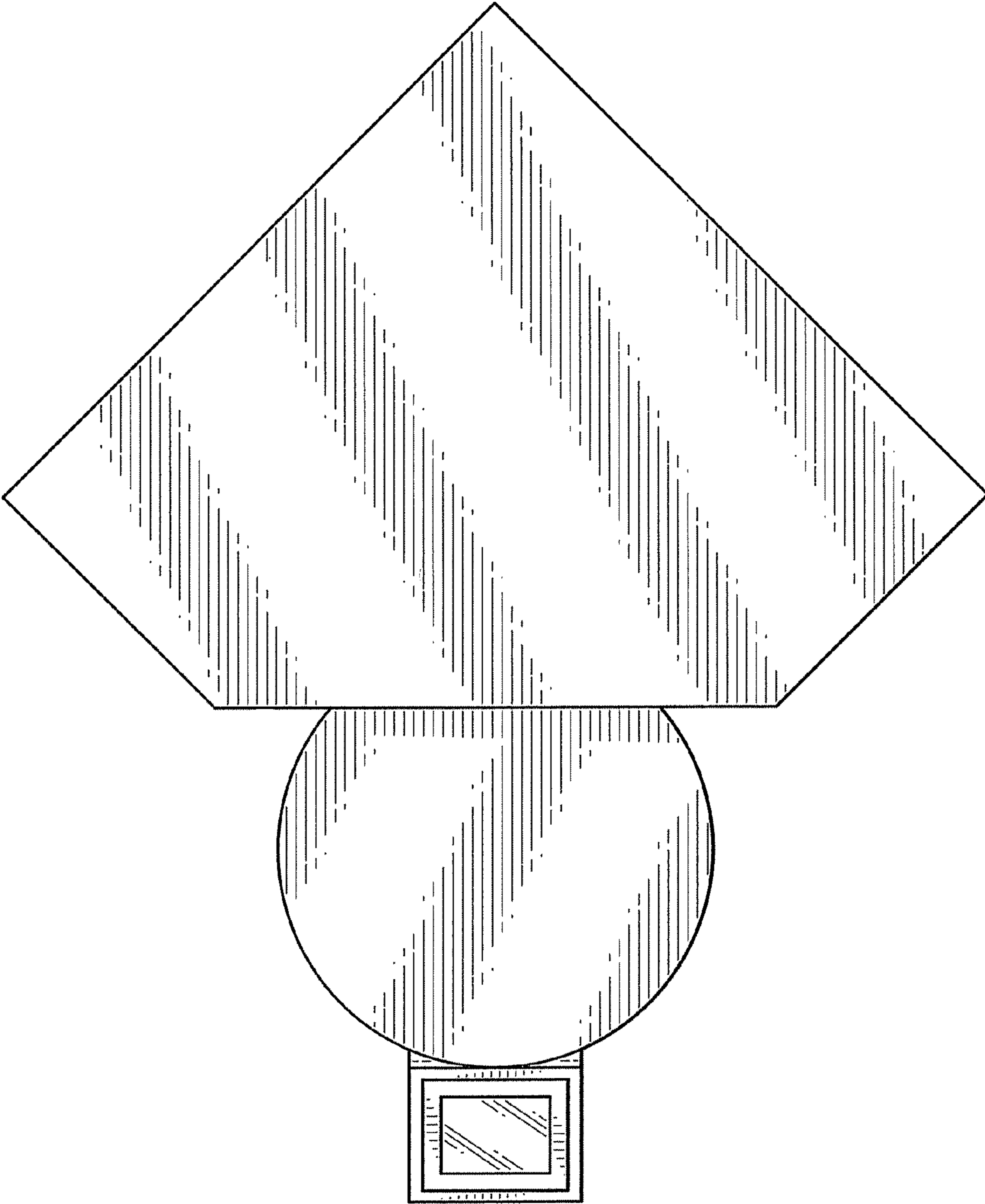


FIG-3

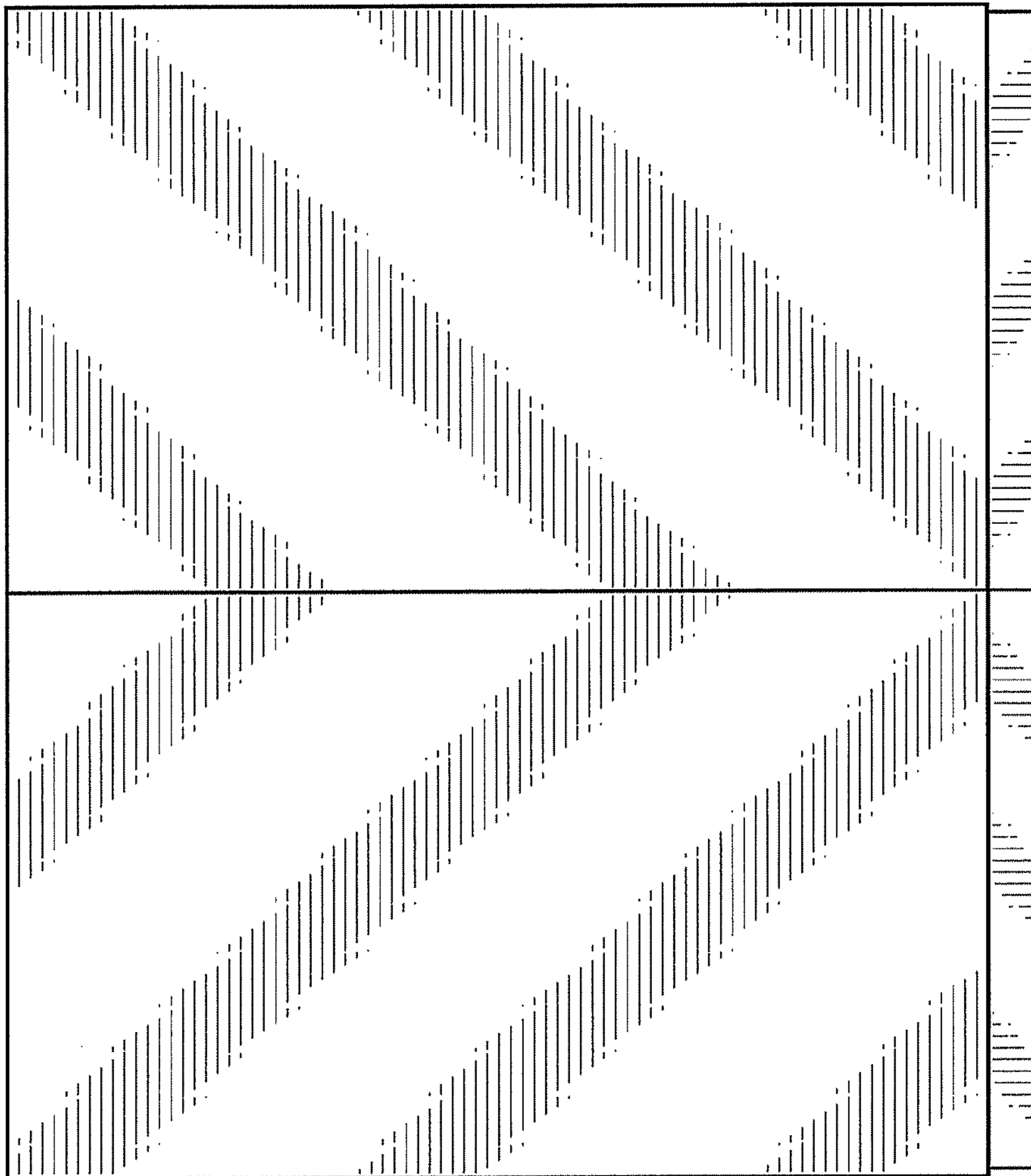


FIG-4

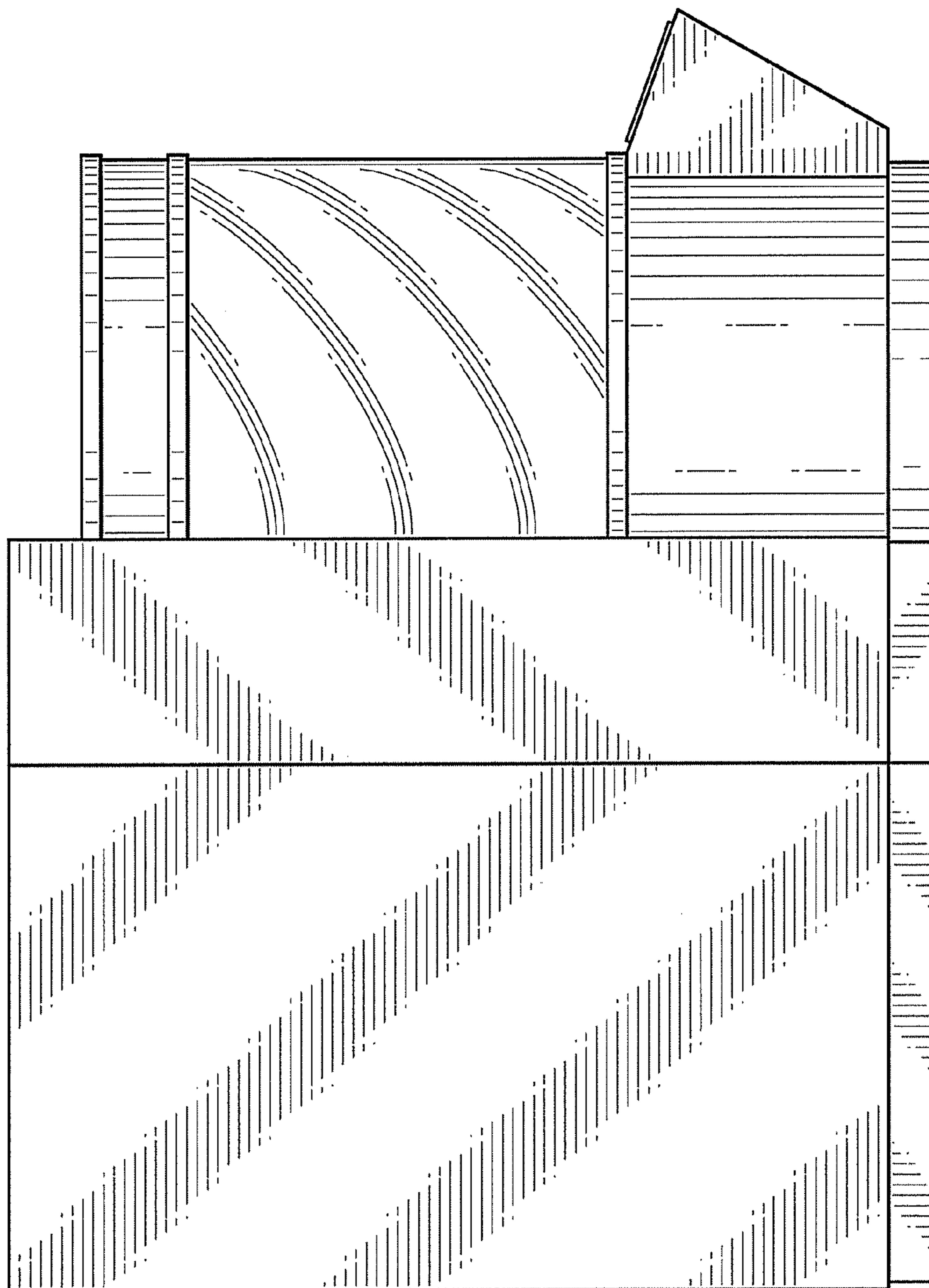


FIG-5

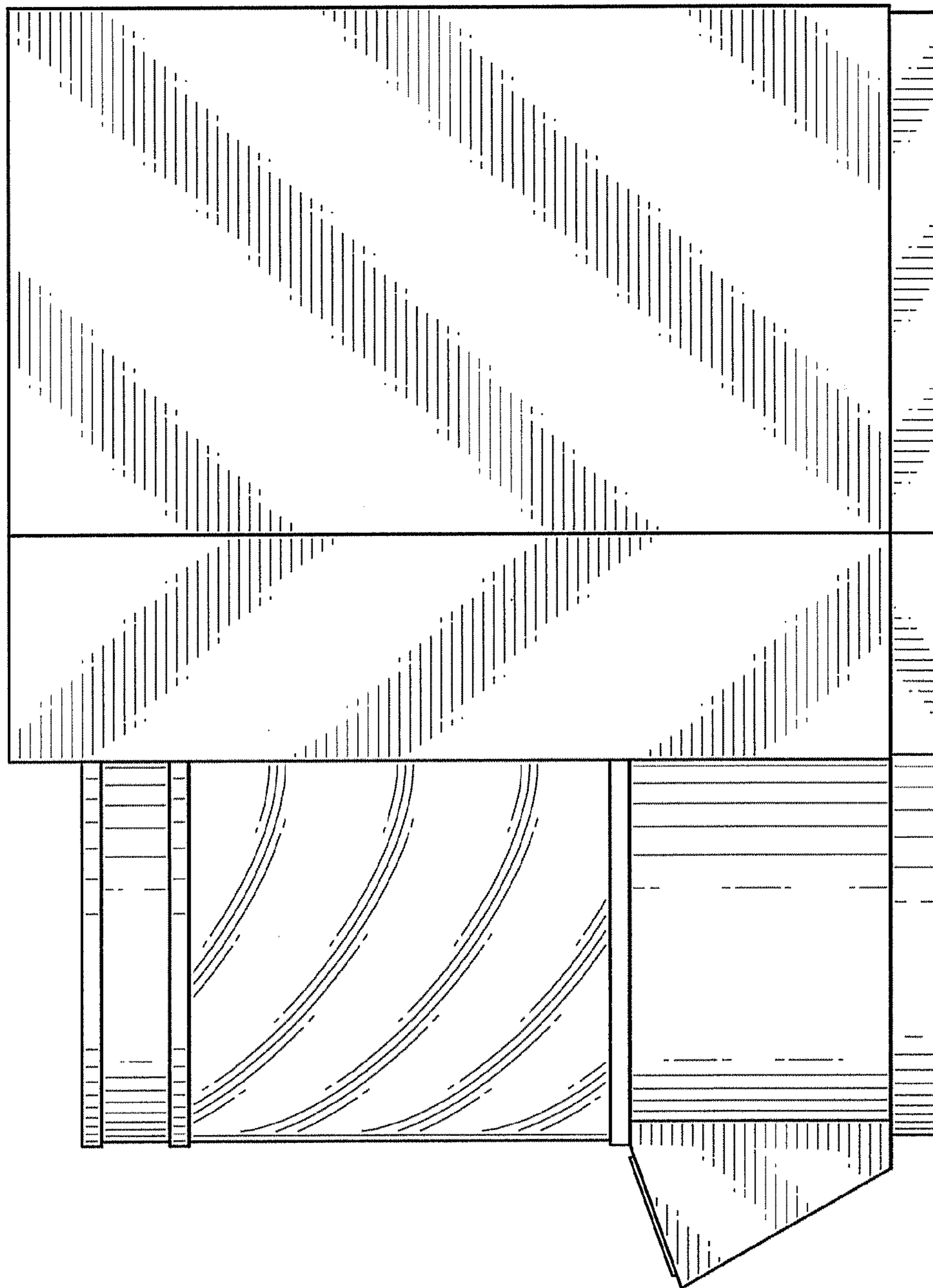


FIG-6