



US00D647924S

(12) **United States Design Patent**
Upham

(10) **Patent No.:** **US D647,924 S**

(45) **Date of Patent:** **** Nov. 1, 2011**

(54) **TIRE INFLATOR**

(75) Inventor: **Matthew Upham**, Lee's Summit, MO
(US)

(73) Assignee: **Blount, Inc.**, Portland, OR (US)

(**) Term: **14 Years**

(21) Appl. No.: **29/391,929**

(22) Filed: **May 13, 2011**

(51) **LOC (9) Cl.** **15-02**

(52) **U.S. Cl.** **D15/7**

(58) **Field of Classification Search** D15/7-9;
D23/231, 232, 225; 417/60, 235, 265, 321,
417/355, 358, 363, 359, 410.1, 415-416,
417/405, 900; 60/408, 412; 184/26-37;
415/140-147; 123/495, 509

See application file for complete search history.

(56) **References Cited**

U.S. PATENT DOCUMENTS

- 4,754,858 A 7/1988 Robinson
- D305,578 S * 1/1990 Charette et al. D2/952
- 4,941,232 A 7/1990 Decker
- 4,977,621 A 12/1990 Richard

- 5,348,360 A 9/1994 Mencarelli
- 5,884,659 A 3/1999 Prosser
- D499,427 S * 12/2004 Wang D15/7
- D499,743 S * 12/2004 Hulks et al. D15/7
- D506,761 S * 6/2005 Hulks et al. D15/7
- 7,017,642 B2 3/2006 Brahler

* cited by examiner

Primary Examiner — Ralf Seifert

(74) *Attorney, Agent, or Firm* — Schwabe Williamson & Wyatt

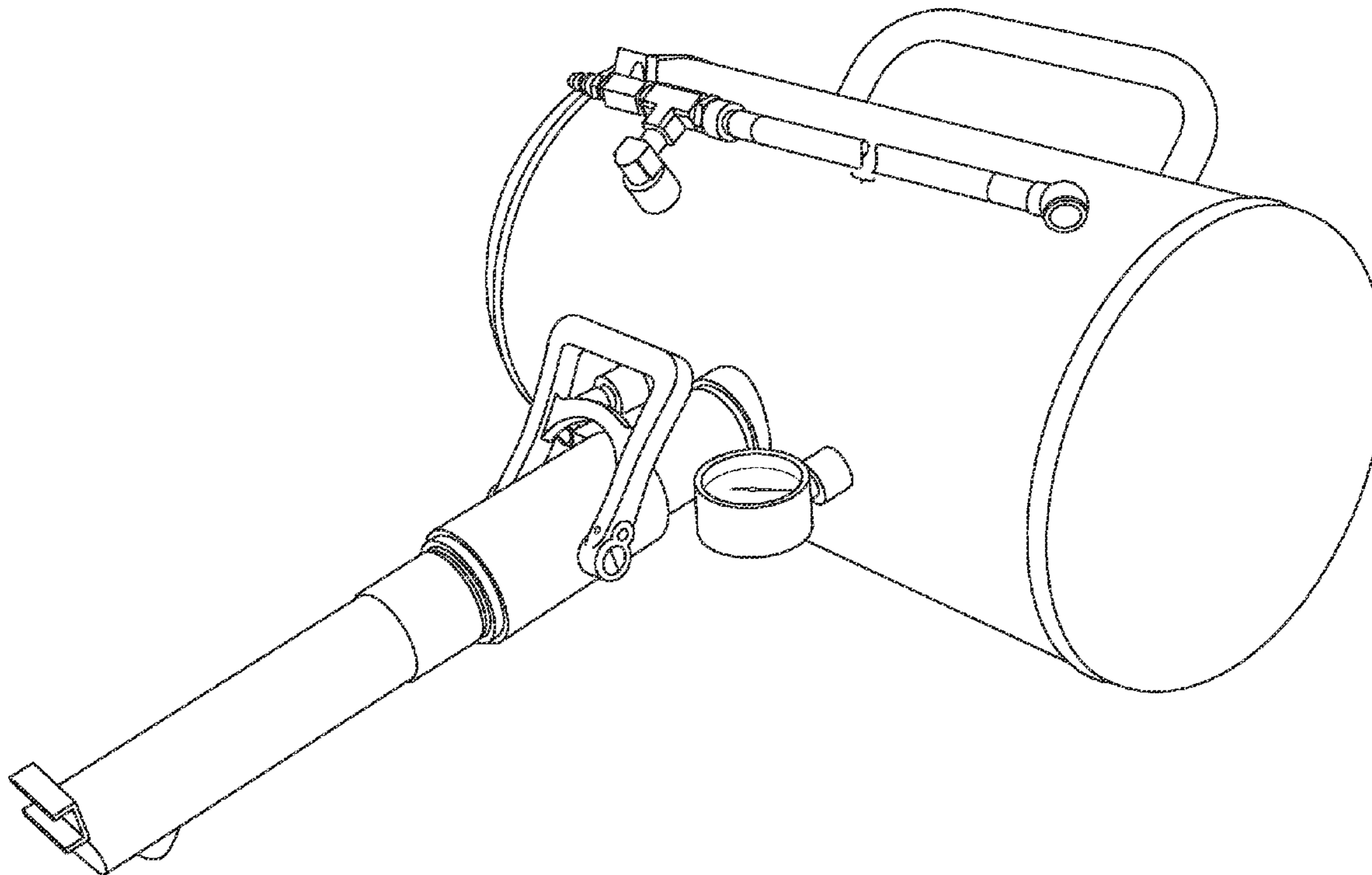
(57) **CLAIM**

I claim the ornamental design for a tire inflator, as shown and described.

DESCRIPTION

FIG. 1 is a perspective view of a tire inflator, showing my new design;
 FIG. 2 is a front view thereof;
 FIG. 3 is a back view thereof;
 FIG. 4 is a left-side view thereof;
 FIG. 5 is a right-side view thereof;
 FIG. 6 is a top view thereof; and,
 FIG. 7 is a bottom view thereof.

1 Claim, 5 Drawing Sheets



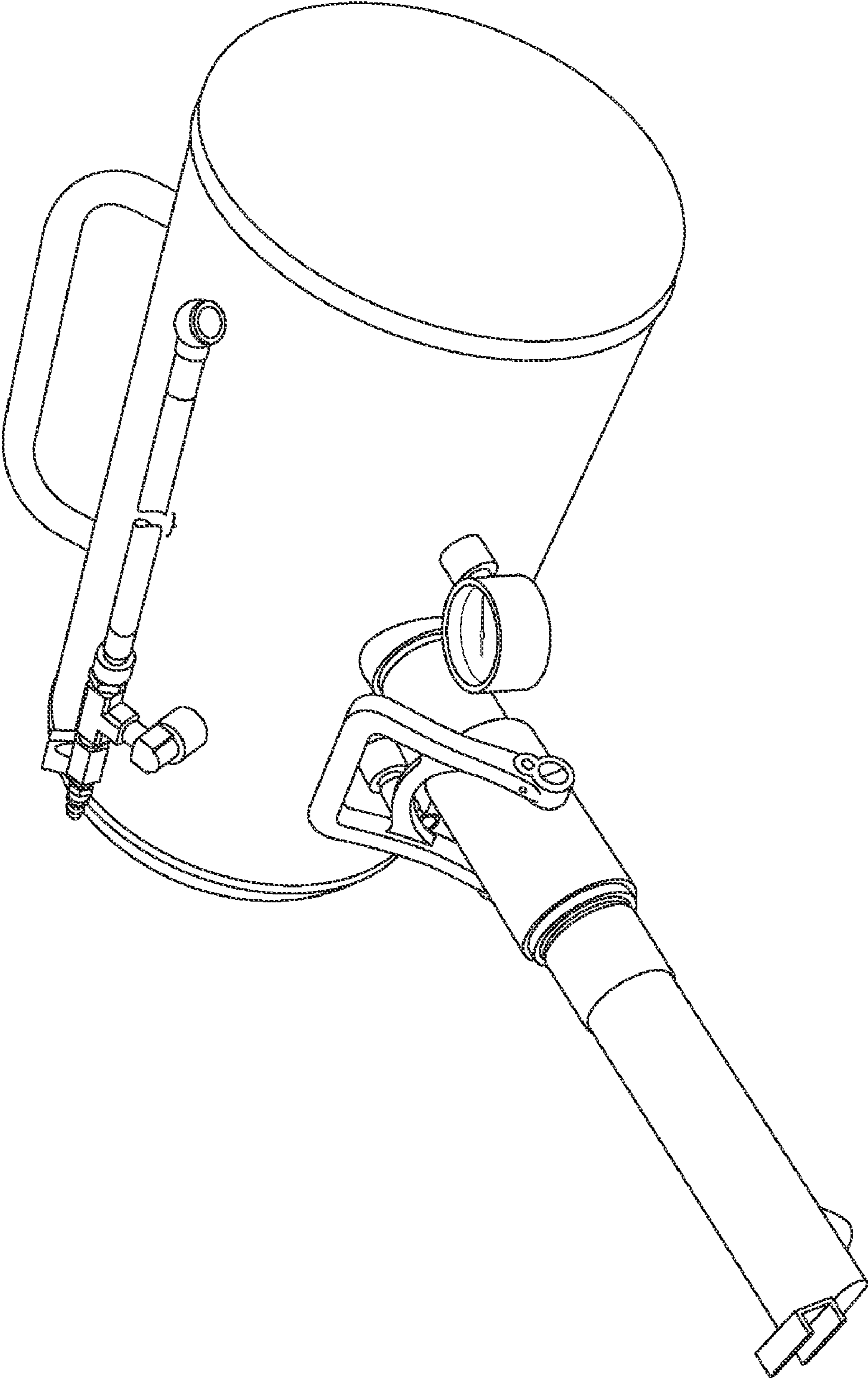


FIG. 1

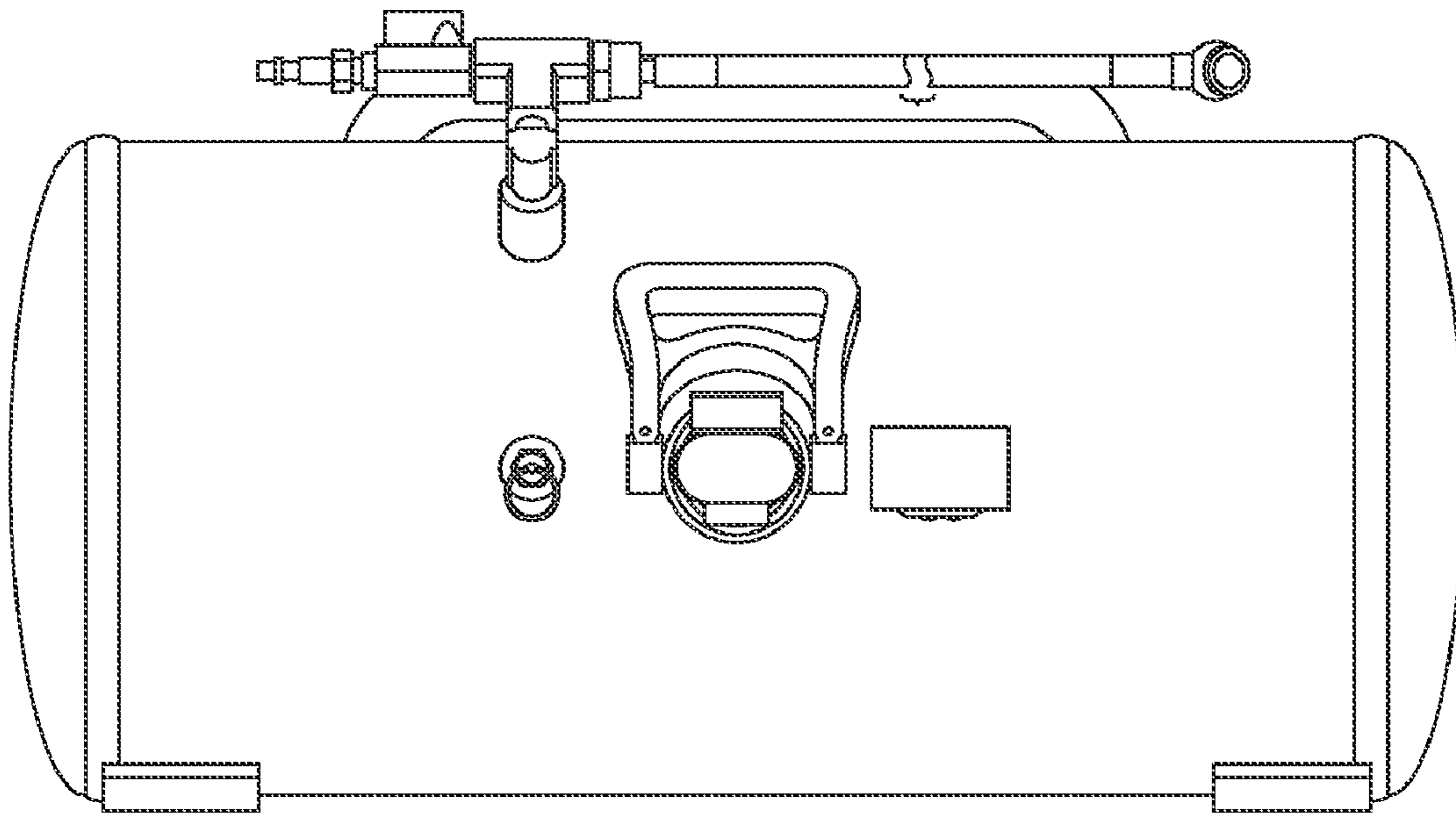


FIG. 2

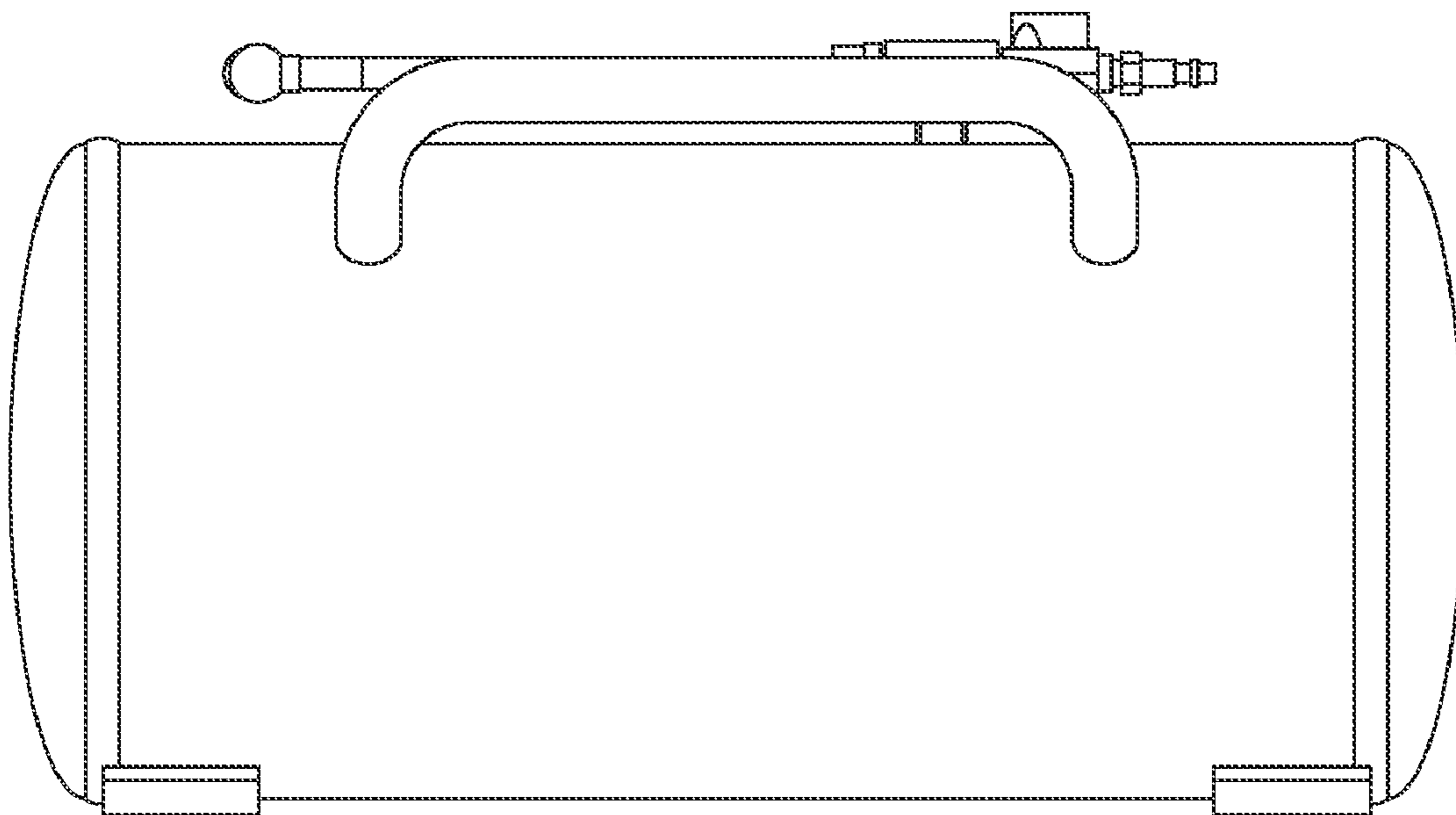


FIG. 3

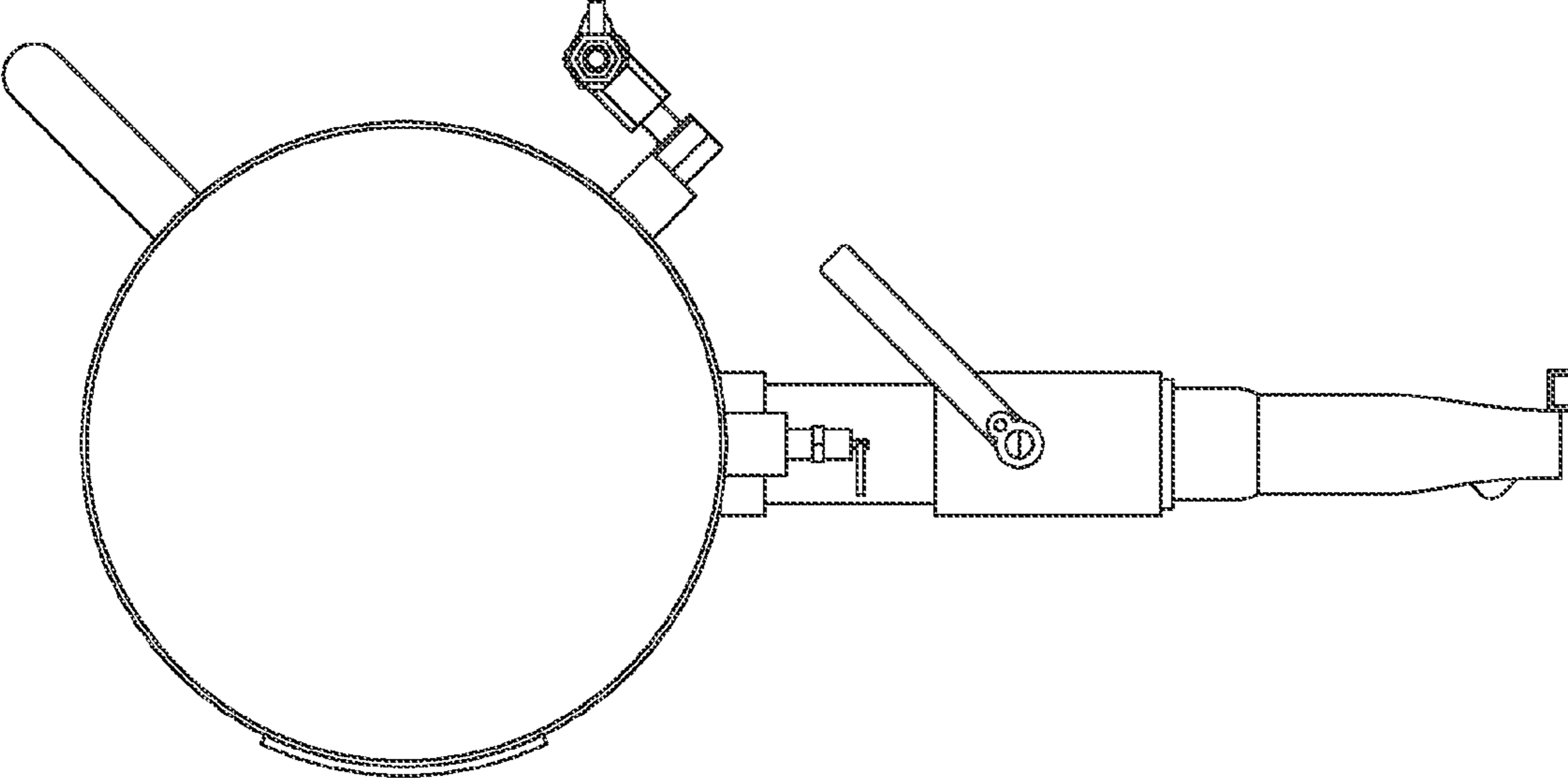


FIG. 4

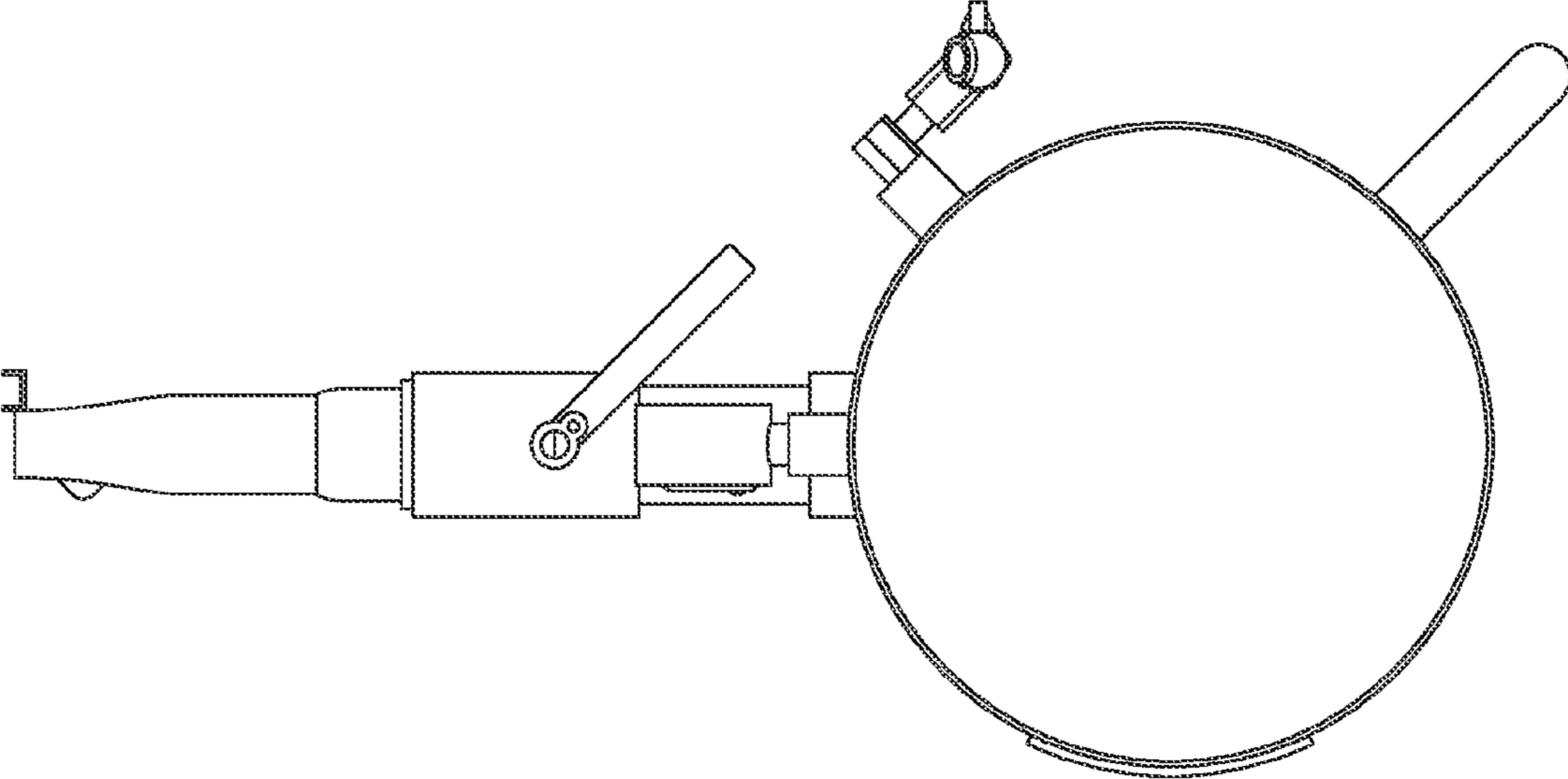


FIG. 5

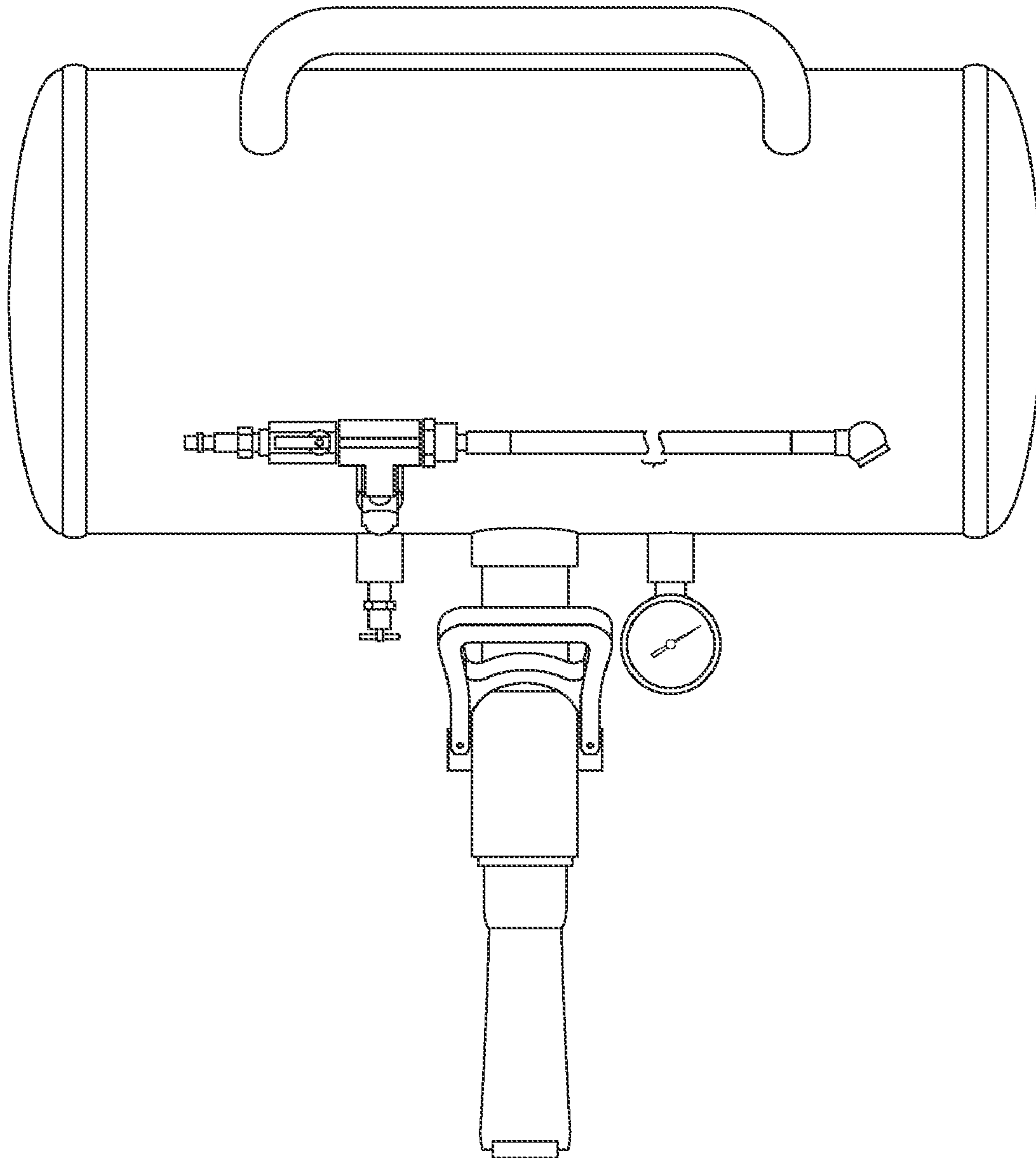


FIG. 6

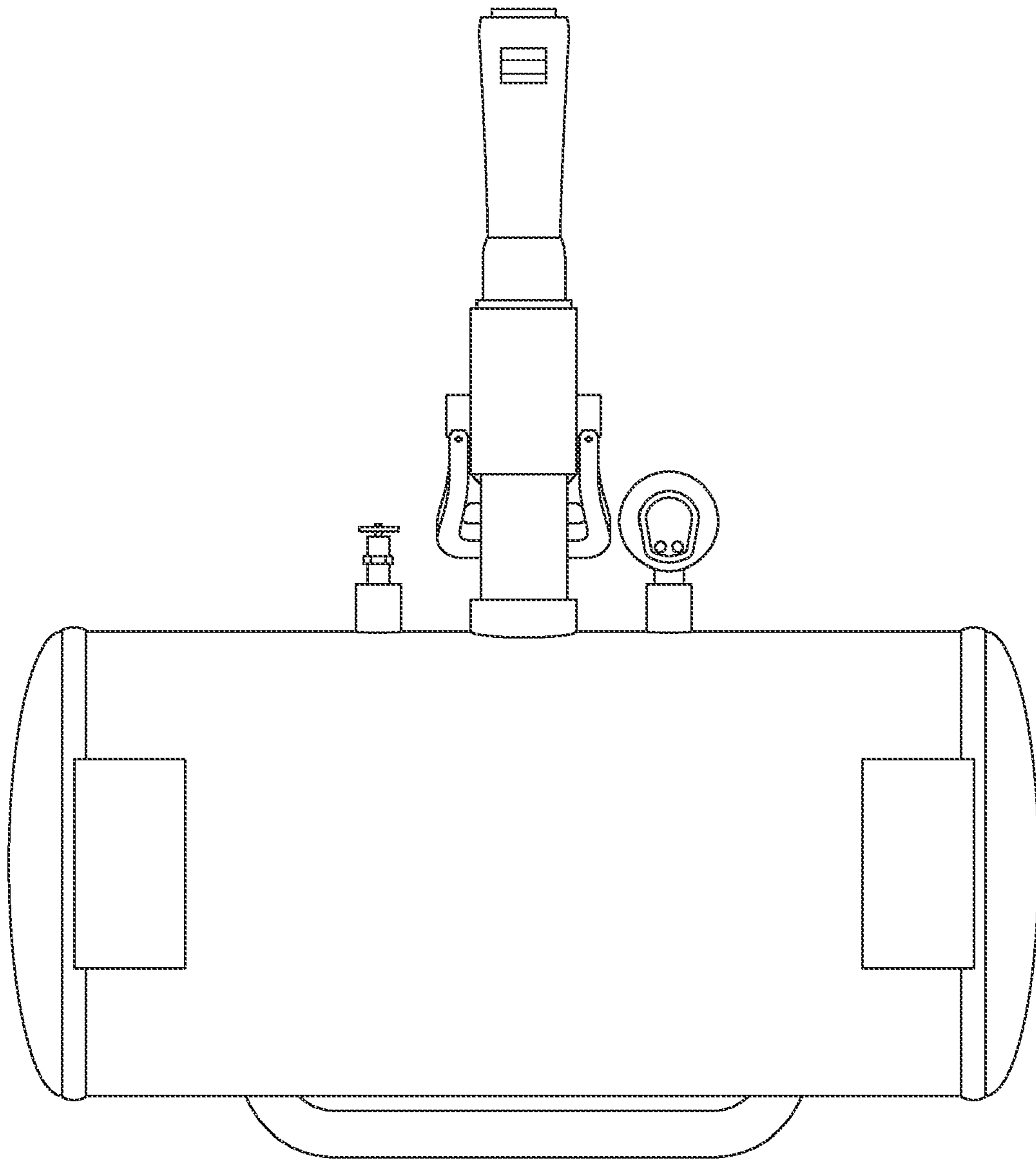


FIG. 7