



US00D647921S

(12) **United States Design Patent**  
**Akana et al.**

(10) **Patent No.:** **US D647,921 S**  
(45) **Date of Patent:** **\*\* Nov. 1, 2011**

(54) **ELECTRONIC DEVICE**

(75) Inventors: **Jody Akana**, San Francisco, CA (US);  
**Bartley K. Andre**, Menlo Park, CA  
(US); **Jeremy Bataillou**, San Francisco,  
CA (US); **Daniel J. Coster**, San  
Francisco, CA (US); **Daniele De Iuliis**,  
San Francisco, CA (US); **Evans**  
**Hankey**, San Francisco, CA (US);  
**Richard P. Howarth**, San Francisco, CA  
(US); **Jonathan P. Ive**, San Francisco,  
CA (US); **Duncan Robert Kerr**, San  
Francisco, CA (US); **Shin Nishibori**,  
Portola Valley, CA (US); **Matthew Dean**  
**Rohrbach**, San Francisco, CA (US);  
**Peter Russell-Clarke**, San Francisco,  
CA (US); **Christopher J. Stringer**,  
Woodside, CA (US); **Eugene Antony**  
**Whang**, San Francisco, CA (US); **Rico**  
**Zorkendorfer**, San Francisco, CA (US)

(73) Assignee: **Apple Inc.**, Cupertino, CA (US)

(\*\*) Term: **14 Years**

(21) Appl. No.: **29/391,539**

(22) Filed: **May 10, 2011**

**Related U.S. Application Data**

(63) Continuation of application No. 29/367,998, filed on  
Aug. 16, 2010, now Pat. No. Des. 638,443.

(51) **LOC (9) Cl.** ..... **14-03**

(52) **U.S. Cl.** ..... **D14/496; D14/203.3**

(58) **Field of Classification Search** ..... D14/496,  
D14/401, 435, 474, 483, 217, 137, 138, 160,  
D14/168, 356, 203.1-203.8, 507; 345/156,  
345/169, 173-179, 905; 715/727-729, 864;  
710/1, 5, 8; 713/1, 600; 455/1.1, 1.7, 73,  
455/344-347, 93, 95, 3.01-3.06, 550.1, 573.1;  
370/342-344; 369/1, 2, 6-12; 463/43-47;  
273/148 B

See application file for complete search history.

(56) **References Cited**

U.S. PATENT DOCUMENTS

|                |         |                 |           |
|----------------|---------|-----------------|-----------|
| D315,159 S     | 3/1991  | Hino            |           |
| 5,128,829 A *  | 7/1992  | Loew            | 361/679.3 |
| D410,463 S     | 6/1999  | Hattori         |           |
| 6,122,526 A *  | 9/2000  | Parulski et al. | 455/556.1 |
| 6,354,477 B1 * | 3/2002  | Trummer         | 224/575   |
| D467,891 S     | 12/2002 | Tokioka et al.  |           |
| 6,567,011 B1 * | 5/2003  | Young et al.    | 340/12.28 |
| 6,595,860 B1 * | 7/2003  | Yamamoto et al. | 463/43    |

(Continued)

OTHER PUBLICATIONS

U.S. Appl. No. 29/393,191, Andre et al., "Media Device", filed May  
31, 2011. (Not Published).

*Primary Examiner* — Prabhakar Deshmukh

(74) *Attorney, Agent, or Firm* — Sterne, Kessler, Goldstein  
& Fox PLLC

(57) **CLAIM**

The ornamental design for an electronic device, as shown and  
described.

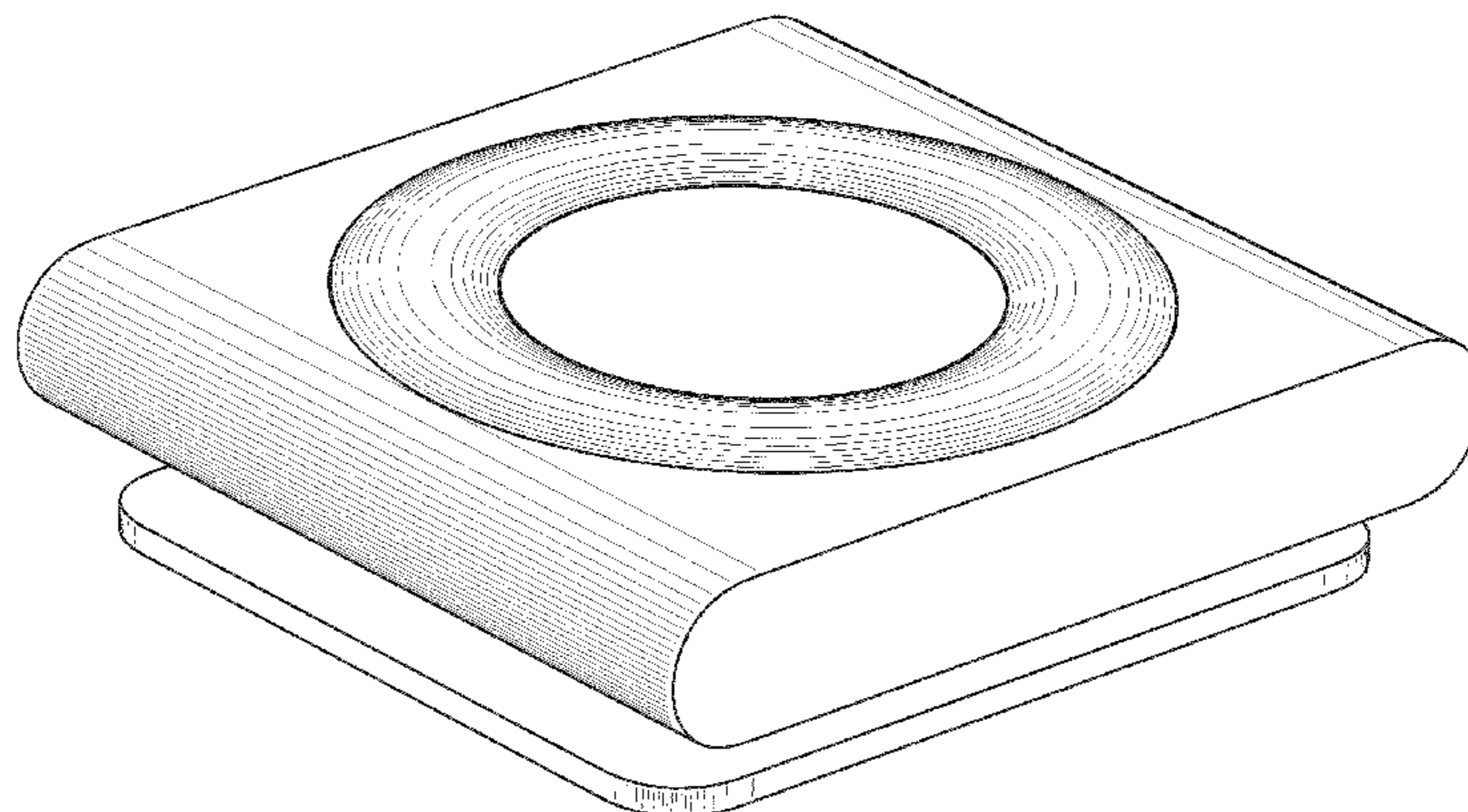
**DESCRIPTION**

FIG. 1 is a front bottom perspective view of an electronic  
device showing our new design;  
FIG. 2 is a rear bottom perspective view thereof;  
FIG. 3 is a rear top perspective view thereof;  
FIG. 4 is a front top perspective view thereof;  
FIG. 5 is a front view thereof;  
FIG. 6 is a rear view thereof;  
FIG. 7 is a bottom view thereof;  
FIG. 8 is a top view thereof;  
FIG. 9 is a side view thereof; and,  
FIG. 10 is another side view thereof.

The shade lines in the Figures show contour and not surface  
ornamentation.

The broken lines in the Figures show portions of the elec-  
tronic device which form no part of the claimed design.

**1 Claim, 8 Drawing Sheets**



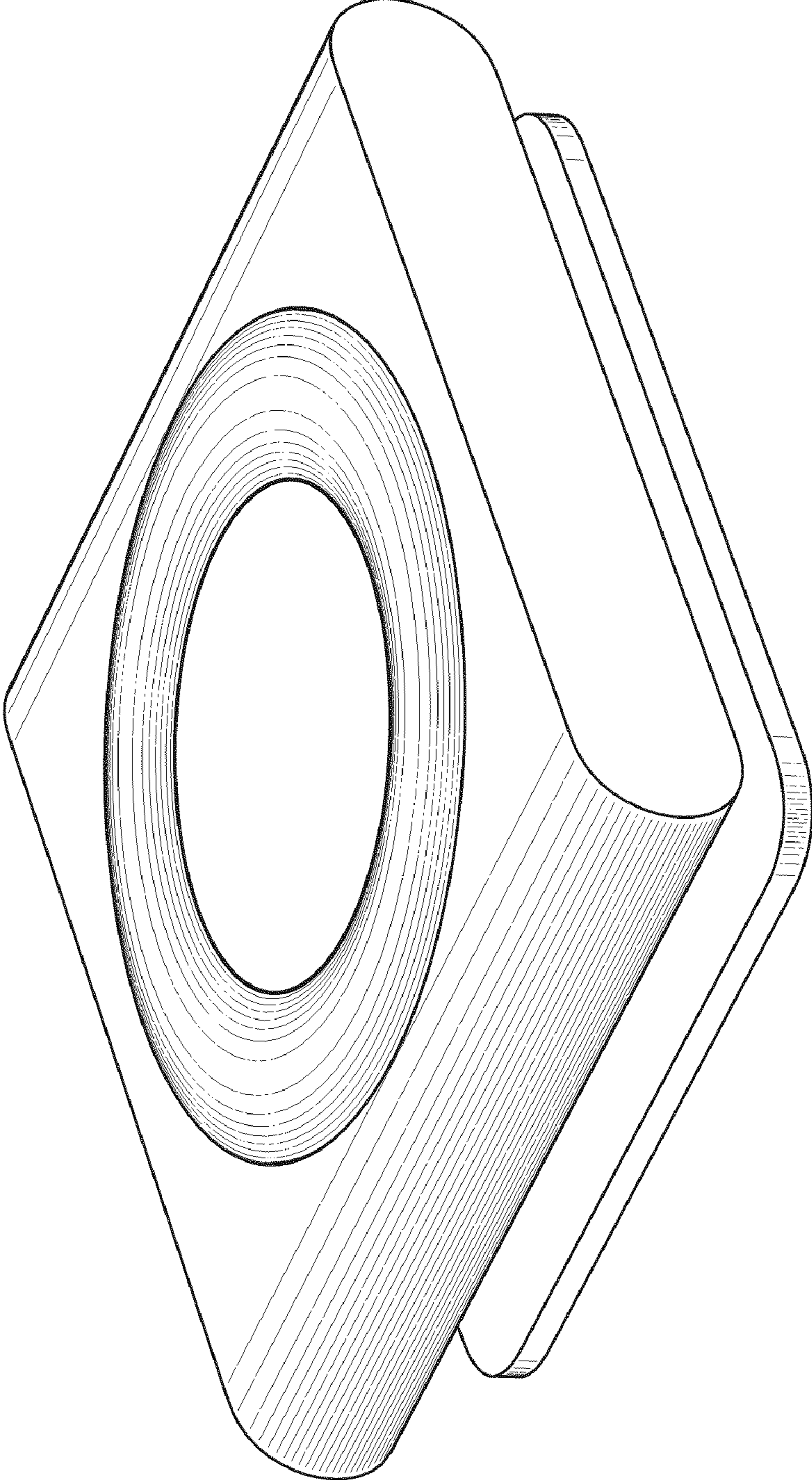
# US D647,921 S

Page 2

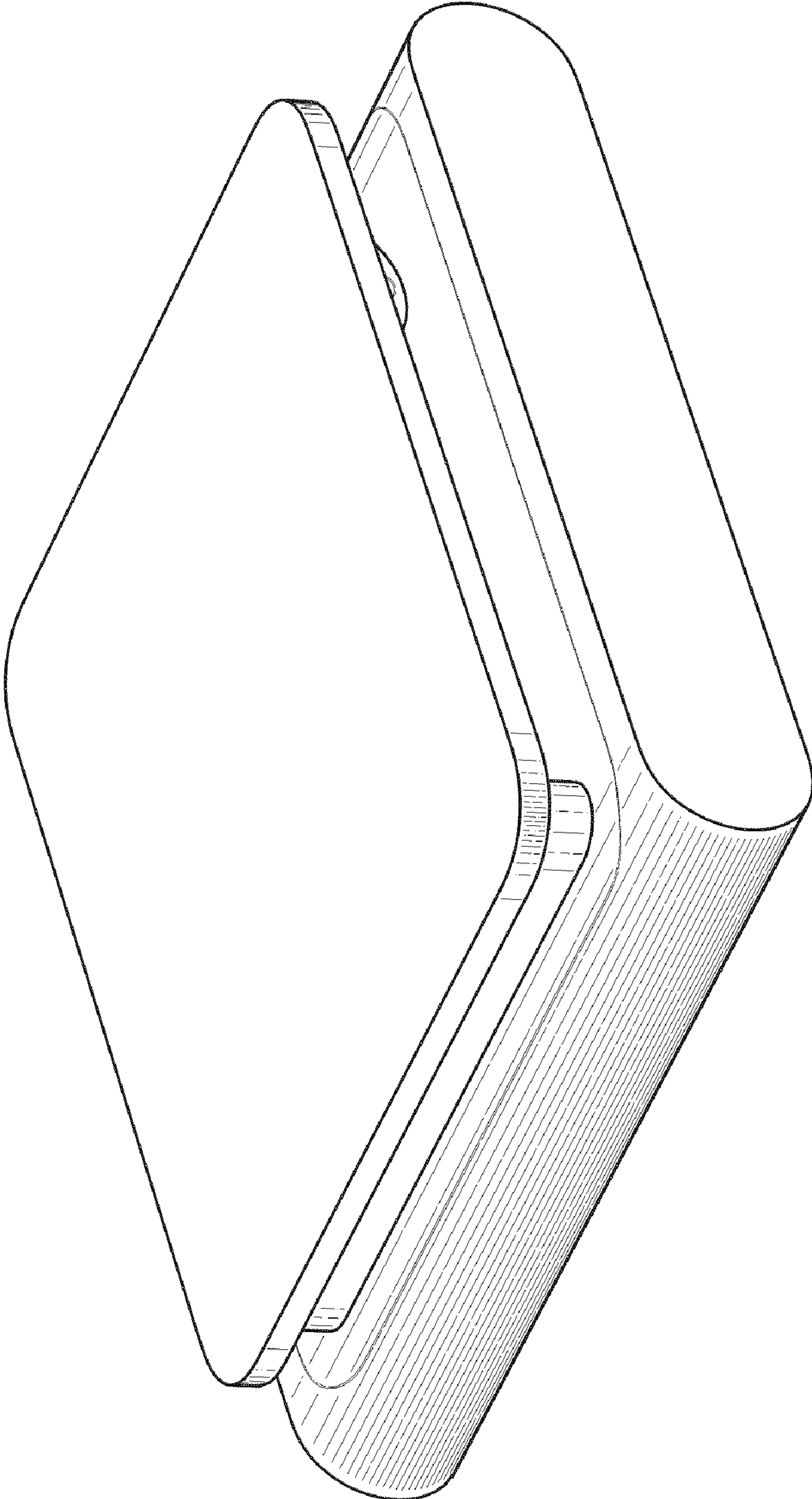
## U.S. PATENT DOCUMENTS

|              |         |                 |         |              |         |                   |         |
|--------------|---------|-----------------|---------|--------------|---------|-------------------|---------|
| D478,076 S * | 8/2003  | Hong .....      | D14/345 | D560,212 S   | 1/2008  | Andre et al.      |         |
| D512,977 S   | 12/2005 | Chan            |         | D560,228 S   | 1/2008  | Andre et al.      |         |
| D521,460 S   | 5/2006  | Shimizu         |         | D563,434 S * | 3/2008  | Dai .....         | D14/496 |
| D529,044 S   | 9/2006  | Andre et al.    |         | D569,389 S   | 5/2008  | Andre et al.      |         |
| D531,157 S   | 10/2006 | Lheem           |         | D588,610 S   | 3/2009  | Andre et al.      |         |
| D535,308 S   | 1/2007  | Andre et al.    |         | D589,497 S   | 3/2009  | Andre et al.      |         |
| D535,650 S   | 1/2007  | Wong et al.     |         | D589,530 S   | 3/2009  | Andre et al.      |         |
| D538,795 S   | 3/2007  | Wong et al.     |         | D590,826 S * | 4/2009  | Andre et al. .... | D14/341 |
| D542,784 S   | 5/2007  | Franck et al.   |         | D601,172 S   | 9/2009  | Andre et al.      |         |
| D555,171 S * | 11/2007 | Dai .....       | D14/496 | D615,069 S   | 5/2010  | Andre et al.      |         |
| D556,155 S   | 11/2007 | Andre et al.    |         | D616,899 S   | 6/2010  | Andre et al.      |         |
| 7,310,083 B2 | 12/2007 | Hagiwara et al. |         | D627,367 S   | 11/2010 | Andre et al.      |         |
| D558,783 S   | 1/2008  | Andre et al.    |         | D638,443 S   | 5/2011  | Akana et al.      |         |
| D559,860 S   | 1/2008  | Andre et al.    |         | D638,854 S   | 5/2011  | Andre et al.      |         |
| D559,861 S   | 1/2008  | Andre et al.    |         |              |         |                   |         |

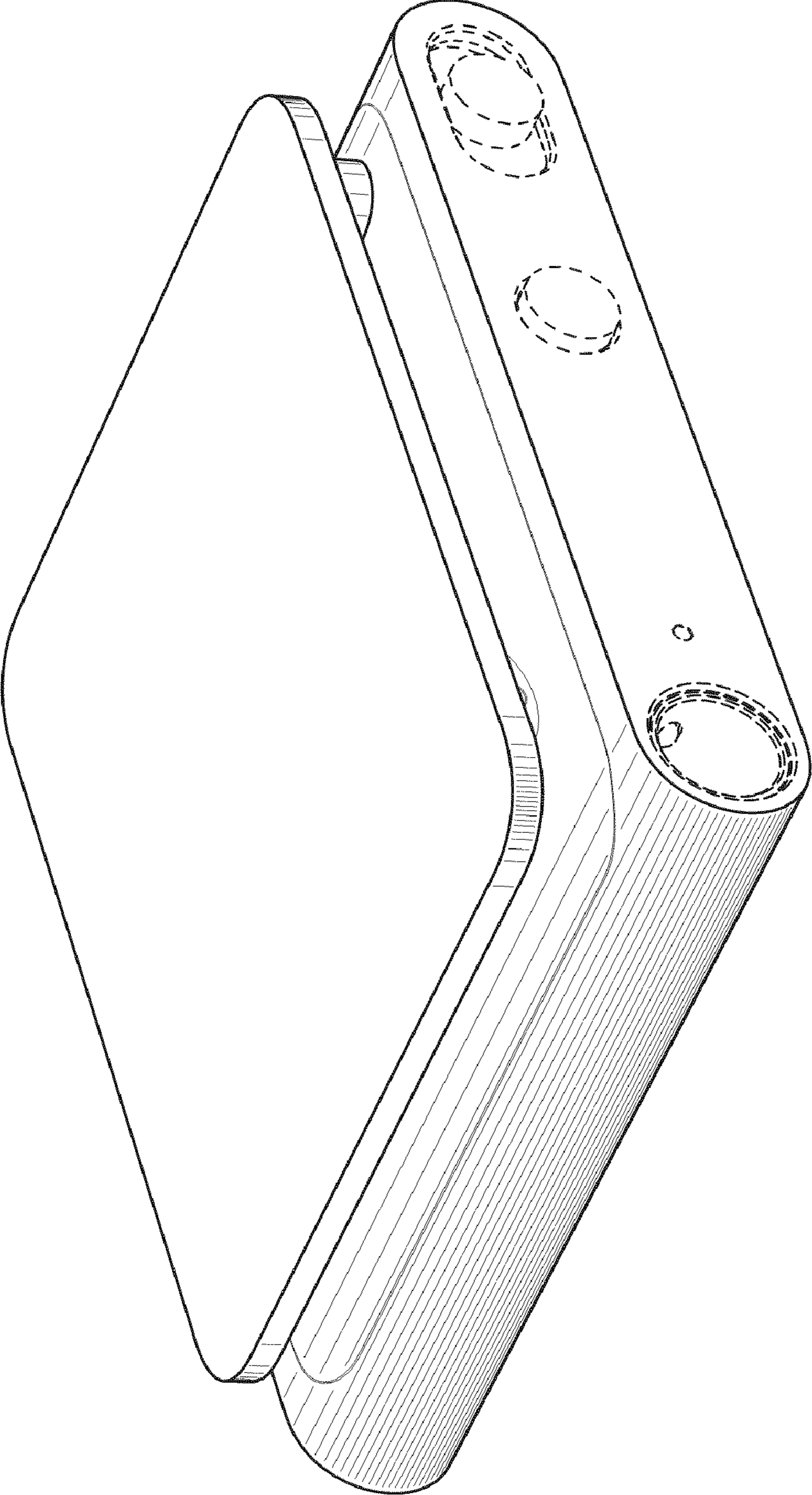
\* cited by examiner



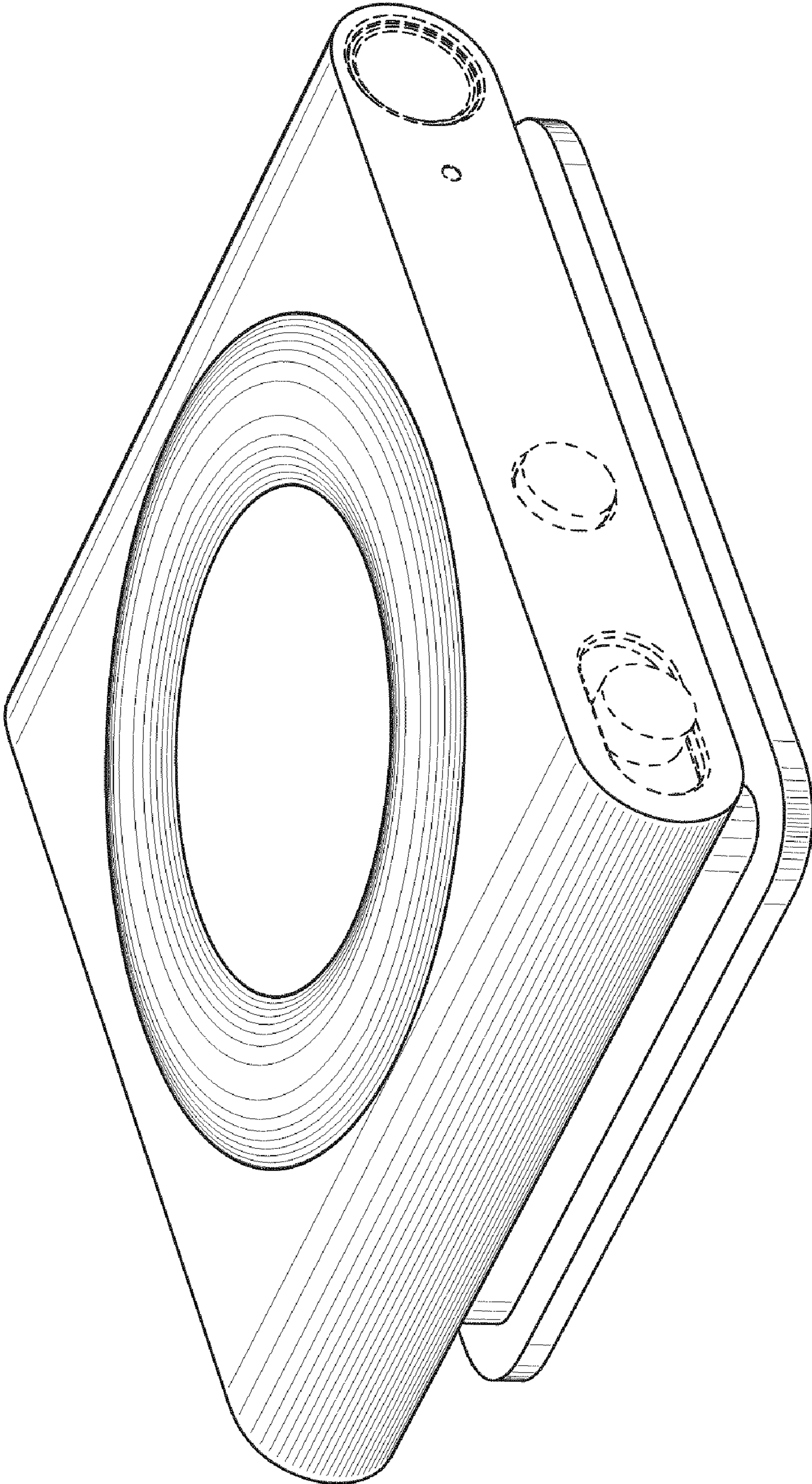
**FIG. 1**



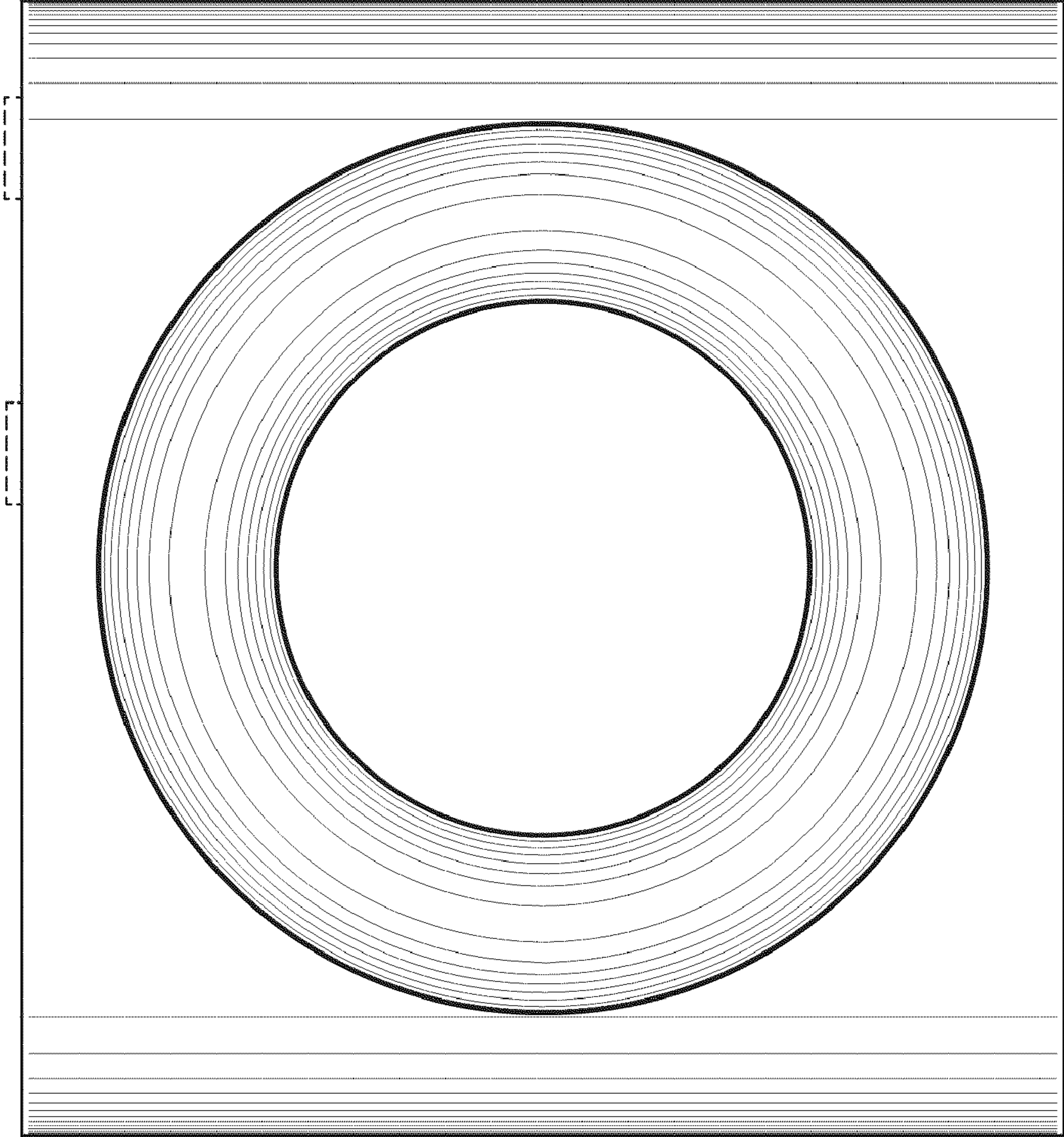
**FIG. 2**



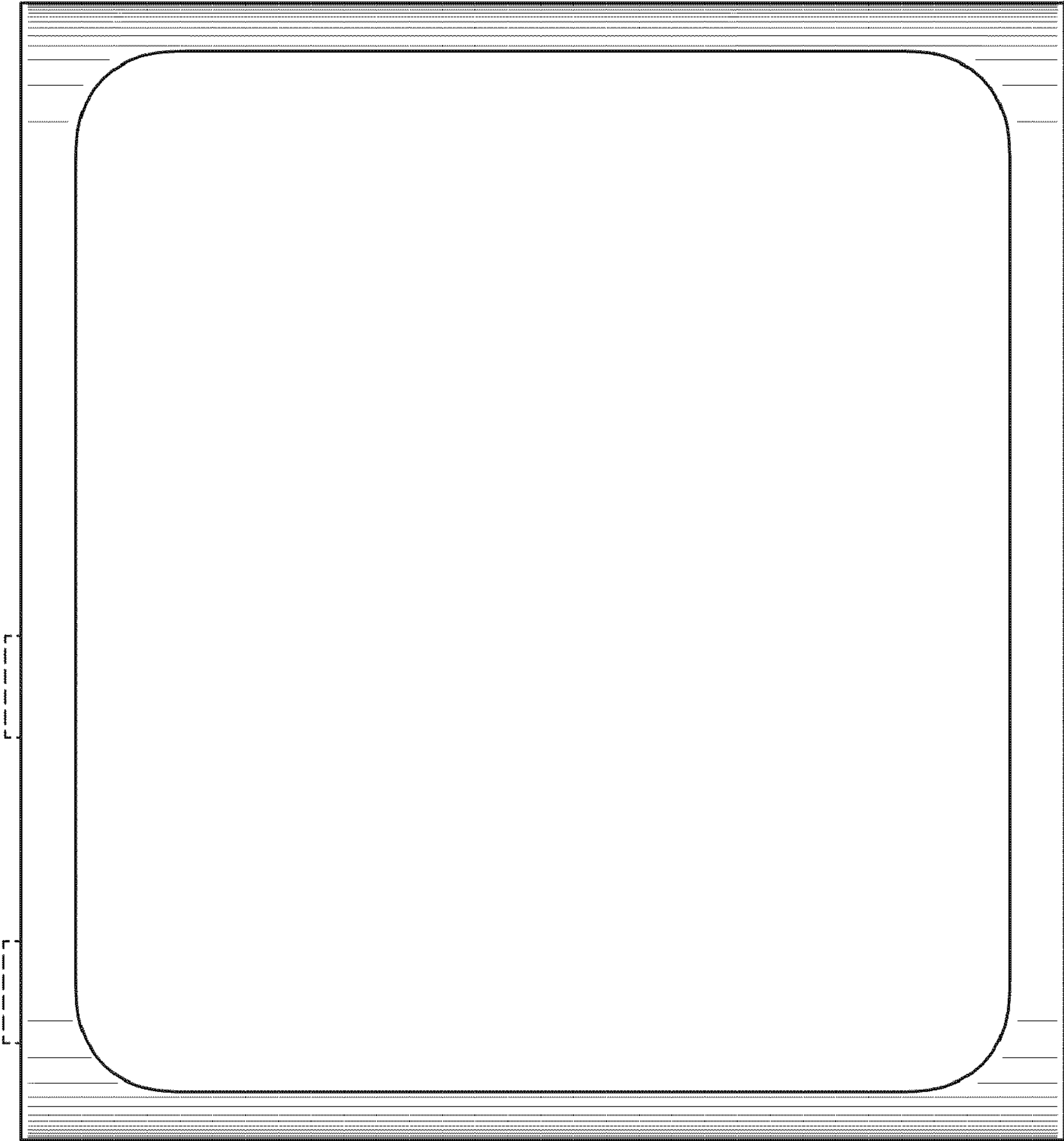
**FIG. 3**



**FIG. 4**

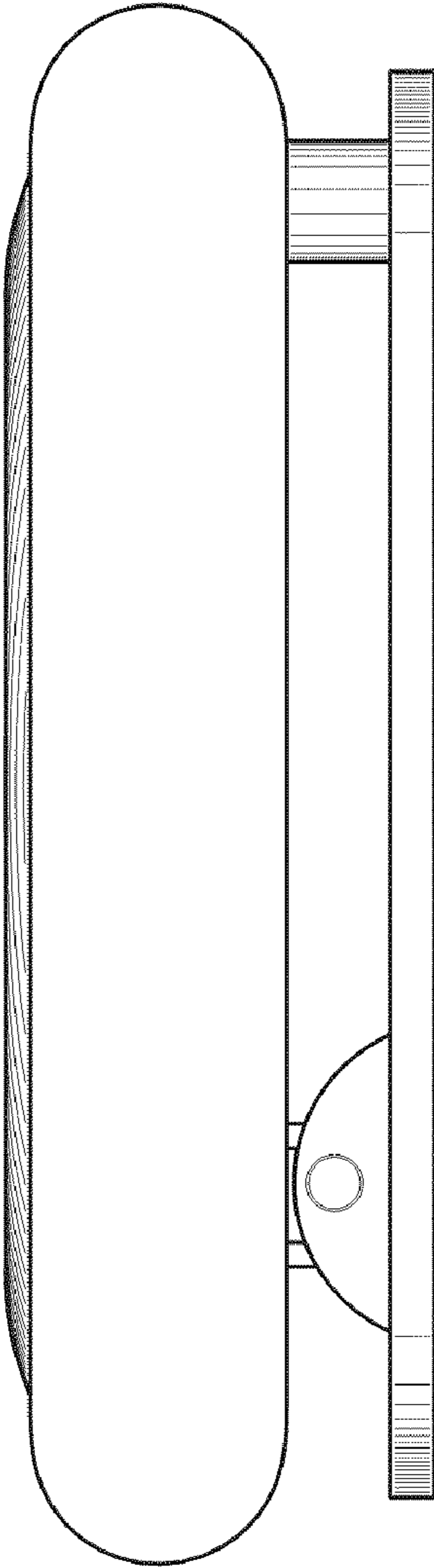


**FIG. 5**

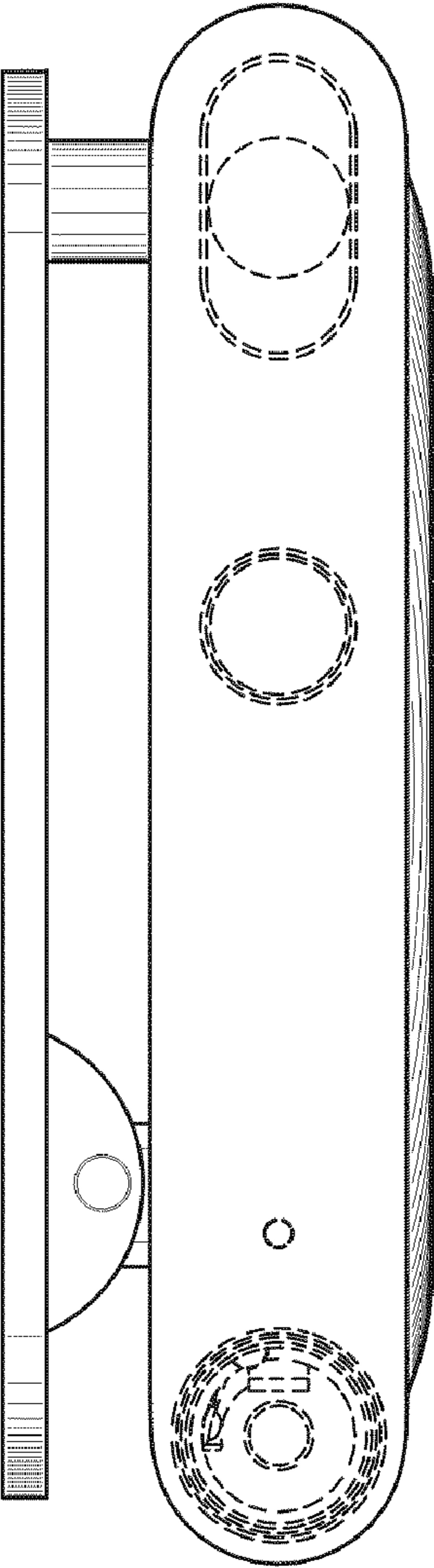


**FIG. 6**

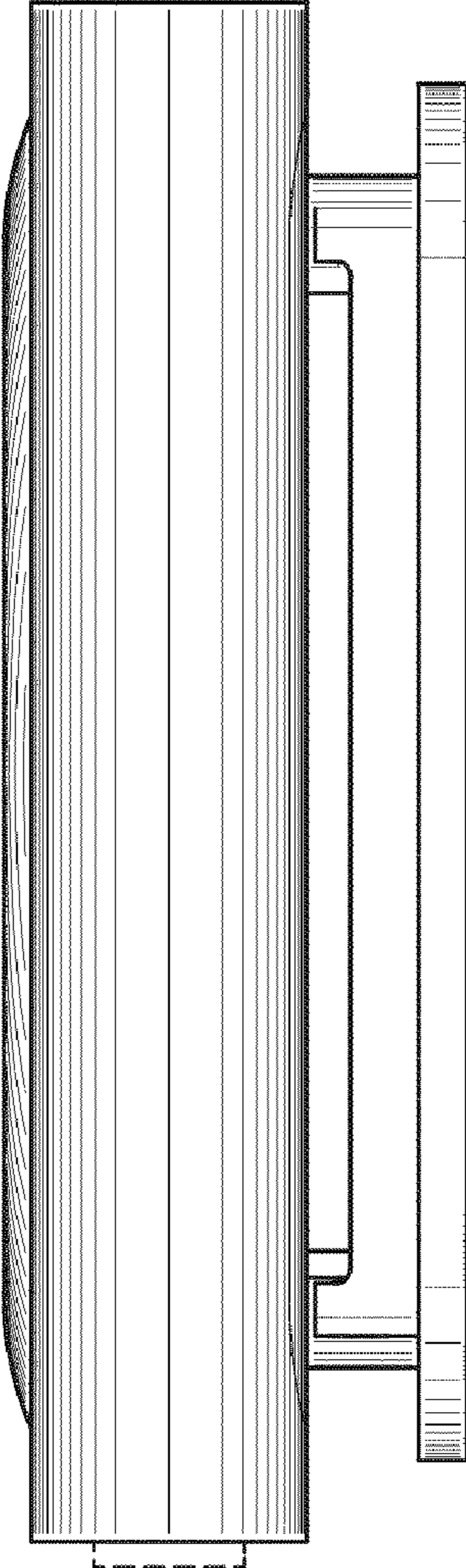




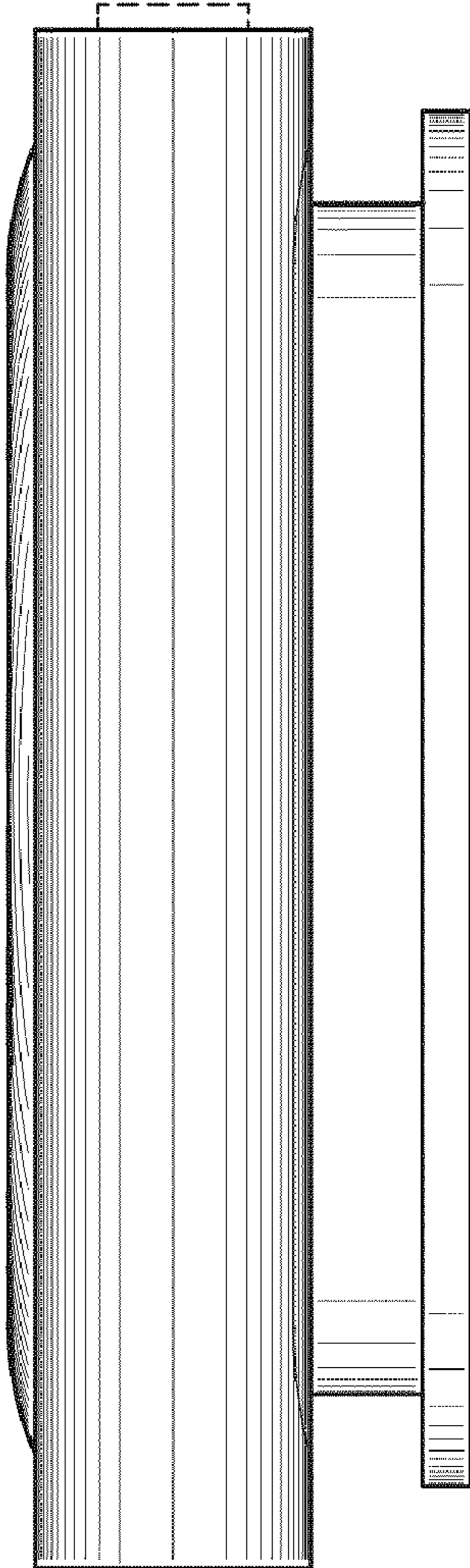
**FIG. 7**



**FIG. 8**



**FIG. 9**



**FIG. 10**