



US00D647919S

(12) **United States Design Patent**
Akana et al.

(10) **Patent No.:** **US D647,919 S**
(45) **Date of Patent:** **** Nov. 1, 2011**

(54) **ELECTRONIC DEVICE WITH GRAPHICAL USER INTERFACE**

455/344-347, 93, 95, 3.01-3.06, 550.1, 573.1;
370/342-344; 369/1, 2, 6-12; 463/43-47;
273/148 B

(75) Inventors: **Jody Akana**, San Francisco, CA (US);
Bartley K. Andre, Menlo Park, CA (US);
Jeremy Bataillou, San Francisco, CA (US);
Daniel J. Coster, San Francisco, CA (US);
Anton Davydov, Gilroy, CA (US);
Daniele De Iuliis, San Francisco, CA (US);
Jorge Fino, San Jose, CA (US);
Evans Hankey, San Francisco, CA (US);
Richard P. Howarth, San Francisco, CA (US);
Jonathan P. Ive, San Francisco, CA (US);
Duncan Robert Kerr, San Francisco, CA (US);
Shin Nishibori, Portola Valley, CA (US);
Matthew Dean Rohrbach, San Francisco, CA (US);
Peter Russell-Clarke, San Francisco, CA (US);
Christopher J. Stringer, Woodside, CA (US);
Eugene Antony Whang, San Francisco, CA (US);
Policarpo Wood, San Francisco, CA (US);
Rico Zorkendorfer, San Francisco, CA (US)

See application file for complete search history.

(56) **References Cited**

U.S. PATENT DOCUMENTS

5,128,829 A * 7/1992 Loew 361/679.3
D385,548 S 10/1997 Paterson et al.

(Continued)

OTHER PUBLICATIONS

Gizmodo, "Is This the Next iPod Shuffle?", <<http://gizmodo.com/5583144/is-this-the-next-ipod-shuffle>>, retrieved Dec. 17, 2010, 2 pages.

(Continued)

Primary Examiner — Prabhakar Deshmukh
(74) *Attorney, Agent, or Firm* — Sterne, Kessler, Goldstein & Fox PLLC

(57) **CLAIM**

The ornamental design for an electronic device with graphical user interface, as shown and described.

DESCRIPTION

FIG. 1 is a front bottom perspective view of an electronic device with graphical user interface showing our new design; FIG. 2 is a rear bottom perspective view thereof; FIG. 3 is a rear top perspective view thereof; FIG. 4 is a front top perspective view thereof; FIG. 5 is a front view thereof; FIG. 6 is a rear view thereof; FIG. 7 is a bottom view thereof; FIG. 8 is a top view thereof; FIG. 9 is a side view thereof; and, FIG. 10 is another side view thereof.

The broken lines showing portions of the electronic device, portions of the graphical user interface, or other features thereof form no part of the claimed design.

1 Claim, 8 Drawing Sheets

(73) Assignee: **Apple Inc.**, Cupertino, CA (US)

(**) Term: **14 Years**

(21) Appl. No.: **29/368,991**

(22) Filed: **Aug. 31, 2010**

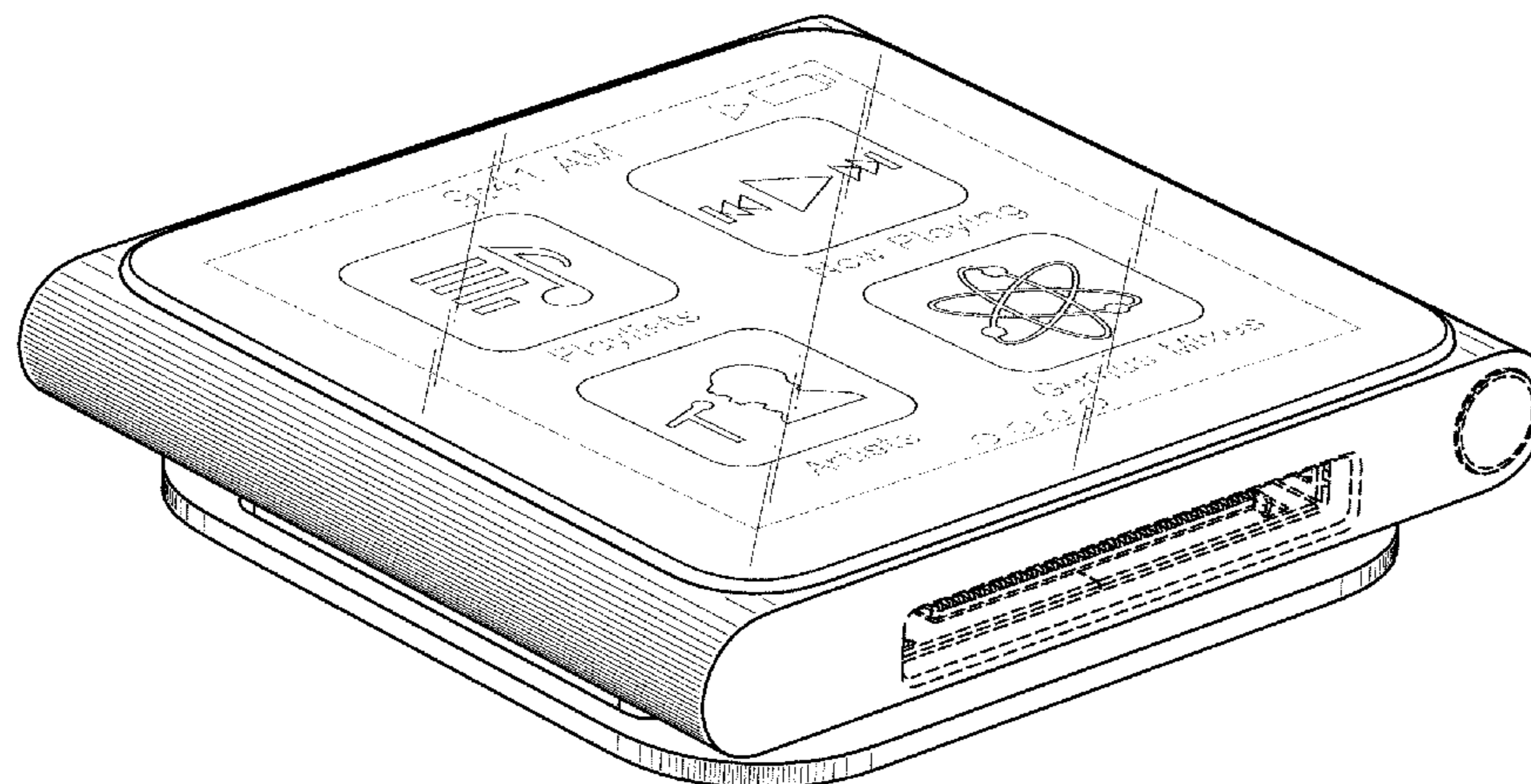
Related U.S. Application Data

(63) Continuation of application No. 29/367,996, filed on Aug. 16, 2010, now Pat. No. Des. 638,030.

(51) **LOC (9) Cl.** **14-03**

(52) **U.S. Cl.** **D14/496; D14/203.3**

(58) **Field of Classification Search** D14/496,
D14/401, 435, 474, 483, 217, 137, 138, 160,
D14/168, 356, 203.1-203.8, 507; 345/156,
345/169, 173-179, 905; 715/727-729, 864;
710/1, 5, 8; 713/1, 600; 455/1.1, 1.7, 73,



US D647,919 S

Page 2

U.S. PATENT DOCUMENTS

D390,214 S 2/1998 Miller
 5,808,862 A 9/1998 Robbins
 5,889,843 A 3/1999 Singer et al.
 D408,794 S 4/1999 Ogasawara
 5,966,114 A 10/1999 Ito et al.
 D424,041 S 5/2000 Tambata
 6,122,526 A * 9/2000 Parulski et al. 455/556.1
 D441,735 S 5/2001 Katayama
 6,354,477 B1 * 3/2002 Trummer 224/575
 D459,339 S 6/2002 Tong
 6,567,011 B1 * 5/2003 Young et al. 340/12.28
 6,595,860 B1 * 7/2003 Yamamoto et al. 463/43
 D478,076 S 8/2003 Hong
 D488,472 S 4/2004 Haase et al.
 D490,796 S 6/2004 Allen
 6,844,886 B1 1/2005 Yanagawa et al.
 D506,474 S 6/2005 Gildred
 D514,585 S 2/2006 Moore et al.
 D516,573 S 3/2006 Gibson
 D517,065 S 3/2006 Ko et al.
 7,032,177 B2 4/2006 Novak et al.
 D521,460 S 5/2006 Shimizu
 D541,294 S 4/2007 Burkard et al.
 D544,875 S 6/2007 Wang et al.
 D546,202 S 7/2007 Chang
 D547,320 S 7/2007 Kim et al.
 D547,764 S 7/2007 Ma et al.
 D551,246 S 9/2007 Gusmorino et al.
 D555,171 S 11/2007 Dai
 D556,193 S 11/2007 Laituri et al.
 7,296,234 B2 11/2007 Fukuda et al.
 D558,216 S 12/2007 Kim
 D559,860 S 1/2008 Andre et al.
 D559,861 S 1/2008 Andre et al.
 D560,228 S 1/2008 Andre et al.
 D563,434 S 3/2008 Dai
 D563,982 S 3/2008 Montagne et al.
 D564,530 S 3/2008 Kim et al.
 7,365,782 B2 4/2008 Tanaka et al.
 D569,389 S 5/2008 Andre et al.
 D579,946 S 11/2008 Lee et al.
 D580,949 S 11/2008 Duarte
 D585,453 S 1/2009 Chen et al.
 D588,610 S 3/2009 Andre et al.
 D589,530 S 3/2009 Andre et al.
 7,512,886 B1 3/2009 Herberger et al.
 D590,826 S 4/2009 Andre et al.
 D601,172 S 9/2009 Andre et al.
 7,600,192 B1 10/2009 Hashimoto et al.
 D603,867 S 11/2009 La et al.
 D607,003 S 12/2009 Bull et al.
 D607,464 S 1/2010 Tang et al.
 D616,899 S 6/2010 Andre et al.
 D617,334 S 6/2010 Chaudhri
 D619,144 S 7/2010 Sepulveda
 D621,845 S 8/2010 Anzures et al.
 D623,195 S 9/2010 La et al.
 D624,090 S 9/2010 Chaudhri
 D626,134 S 10/2010 Chaudhri
 D627,367 S 11/2010 Andre et al.
 D627,790 S 11/2010 Chaudhri
 D638,443 S 5/2011 Akana et al.
 D638,854 S 5/2011 Andre et al.
 2008/0320445 A1 12/2008 Rosado et al.

OTHER PUBLICATIONS

U.S. Appl. No. 29/379,225, Inventors Andre et al., filed Nov. 16, 2010.
 U.S. Appl. No. 29/391,539, Inventors Akana et al., filed May 10, 2011.
 U.S. Appl. No. 29/393,191, Inventors Andre et al., filed May 31, 2011.
 U.S. Appl. No. 29/369,061, Inventors Chaudhri et al., filed Sep. 1, 2010.
 U.S. Appl. No. 29/368,997, Inventors Chaudhri et al., filed Sep. 1, 2010.
 U.S. Appl. No. 29/368,994, Inventors Davydov et al., filed Aug. 31, 2010.
 U.S. Appl. No. 29/368,995, Inventors Chen et al., filed Sep. 1, 2010.
 U.S. Appl. No. 29/364,277, Inventor Matas, filed Jun. 21, 2010.
 U.S. Appl. No. 29/364,977, Inventor Matas, filed Jun. 30, 2010.
 U.S. Appl. No. 29/365,381, Inventors Akana et al., filed Jul. 8, 2010.
 U.S. Appl. No. 29/365,383, Inventors Akana et al., filed Jul. 8, 2010.
 U.S. Appl. No. 29/365,385, Inventors Anzures et al., filed Jul. 8, 2010.
 U.S. Appl. No. 29/354,641, Inventors Anzures et al., filed Jan. 27, 2010.
 U.S. Appl. No. 29/354,643, inventors Anzures et al., filed Jan. 27, 2010.
 U.S. Appl. No. 29/347,460, Inventors Anzures et al., filed Jan. 27, 2010.
 U.S. Appl. No. 29/354,942, Inventors Anzures et al., filed Jan. 29, 2010.
 U.S. Appl. No. 29/384,889, Inventors *To Be Determined*, filed Feb. 4, 2011.
 U.S. Appl. No. 29/386,584, Inventors *To Be Determined*, filed Mar. 2, 2011.
 U.S. Appl. No. 29/364,783, Inventor Akana et al., filed Mar. 4, 2011.
 U.S. Appl. No. 29/366,387, Inventor Matas, filed Jul. 23, 2010.
 U.S. Appl. No. 29/362,084, Inventor Chaudhri, filed May 19, 2010.
 U.S. Appl. No. 29/375,829, Inventor Chaudhri, filed Sep. 28, 2010.
 U.S. Appl. No. 29/375,797, Inventor Chaudhri, filed Sep. 27, 2010.
 U.S. Appl. No. 29/386,783, Inventors Akana et al., filed Mar. 4, 2011.
 U.S. Appl. No. 29/376,575, Inventors Jobs et al., filed Oct. 8, 2010.
 U.S. Appl. No. 29/377,312, Inventors Baumann et al., filed Oct. 20, 2010.
 U.S. Appl. No. 29/384,918, Inventors *To Be Determined*, filed Feb. 4, 2011.
 U.S. Appl. No. 29/365,378, Inventors Akana et al., filed Jul. 8, 2010.
 U.S. Appl. No. 29/365,379, Inventors Anzures et al., filed Jul. 8, 2010.
 U.S. Appl. No. 29/392,647, Inventors *To Be Determined*, filed May 20, 2011.
 U.S. Appl. No. 29/393,470, Inventors *To Be Determined*, filed Jun. 4, 2011.
 U.S. Appl. No. 29/393,471, Inventors *To Be Determined*, filed Jun. 4, 2011.
 U.S. Appl. No. 29/393,554, Inventors *To Be Determined*, filed Jun. 6, 2011.
 U.S. Appl. No. 29/368,972, Inventors Akana et al., filed Aug. 31, 2010.
 U.S. Appl. No. 29/302,217, Inventor Lemay, filed Jan. 11, 2008.

* cited by examiner

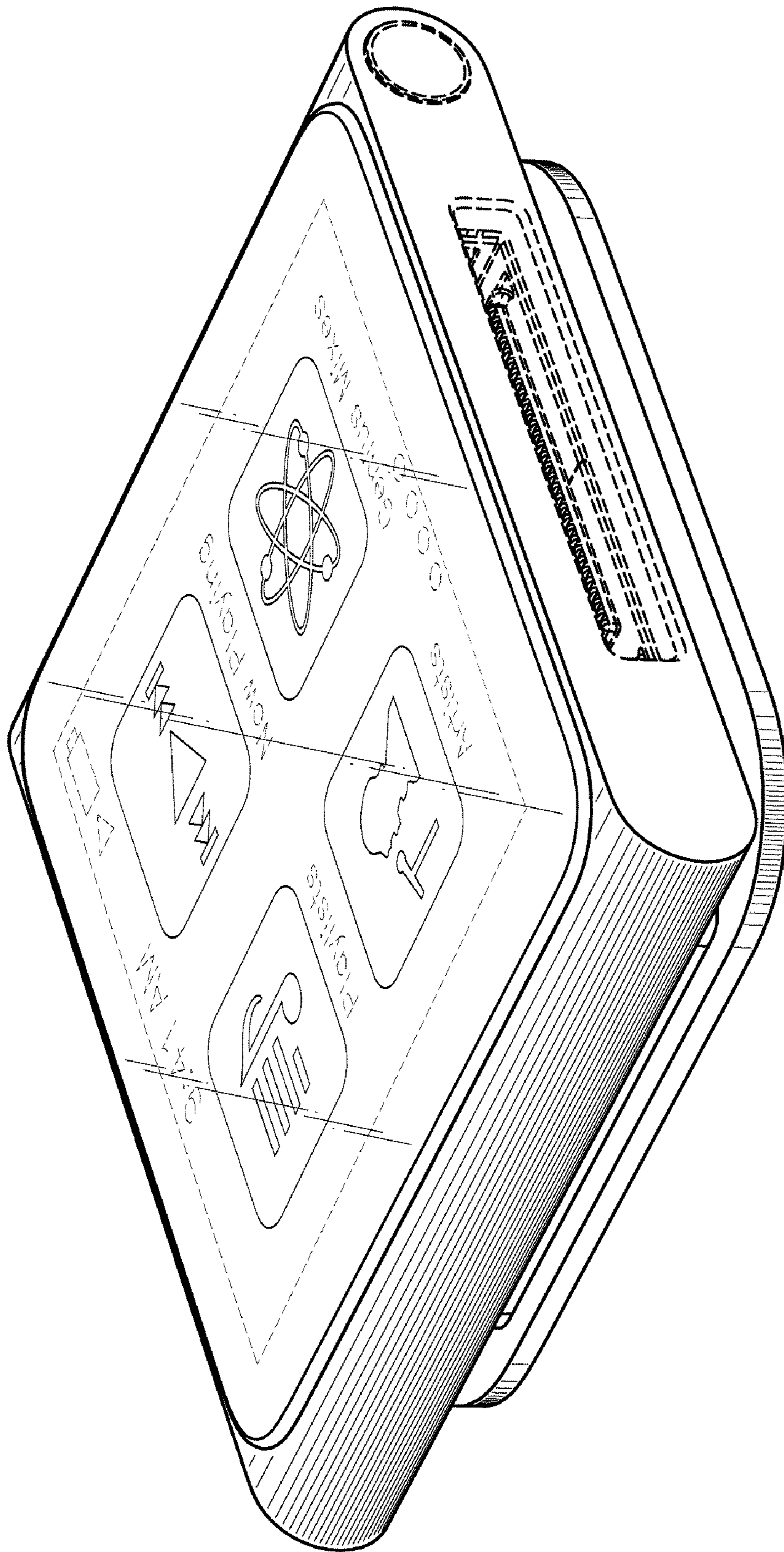


FIG.1

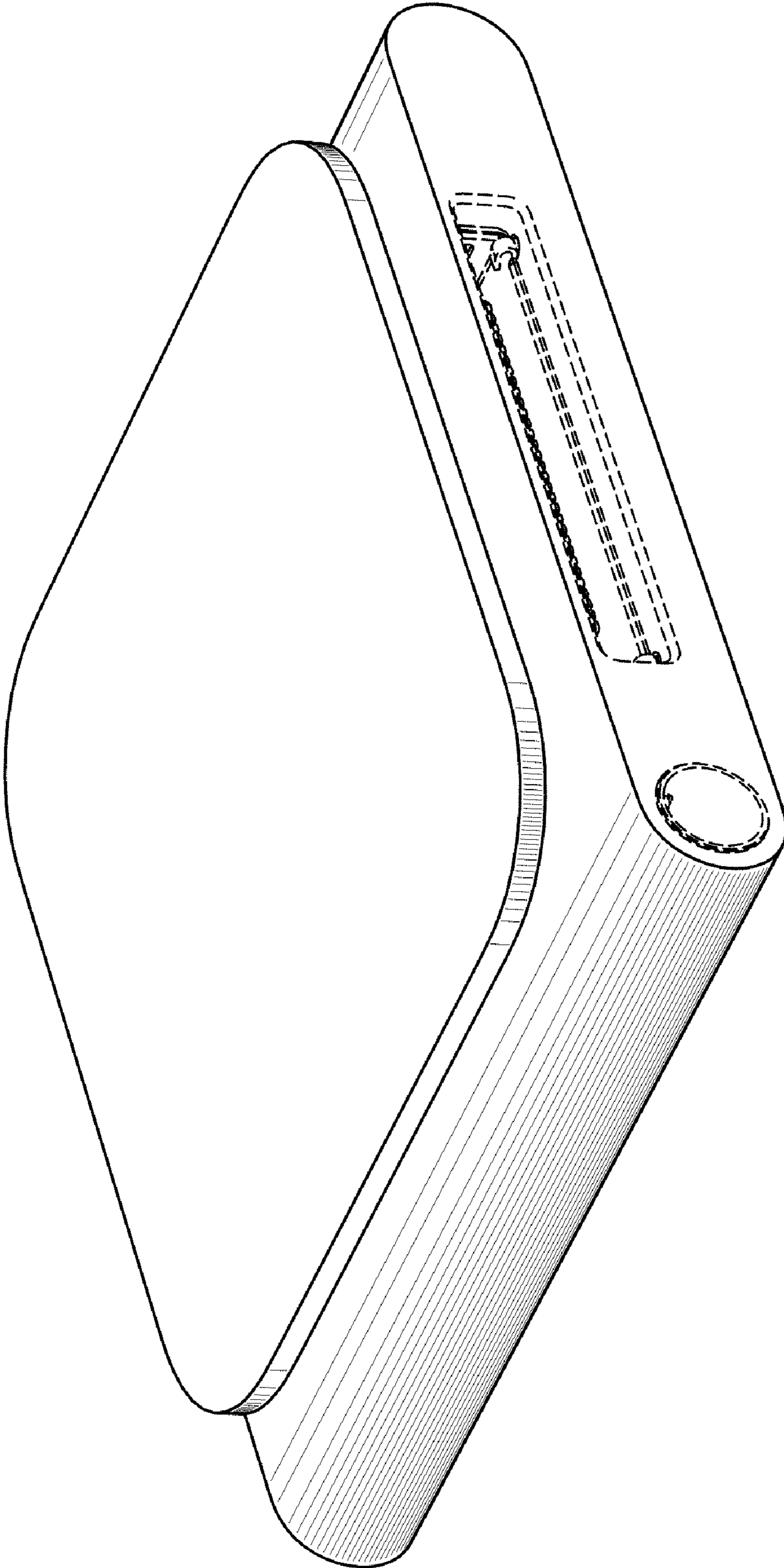


FIG.2

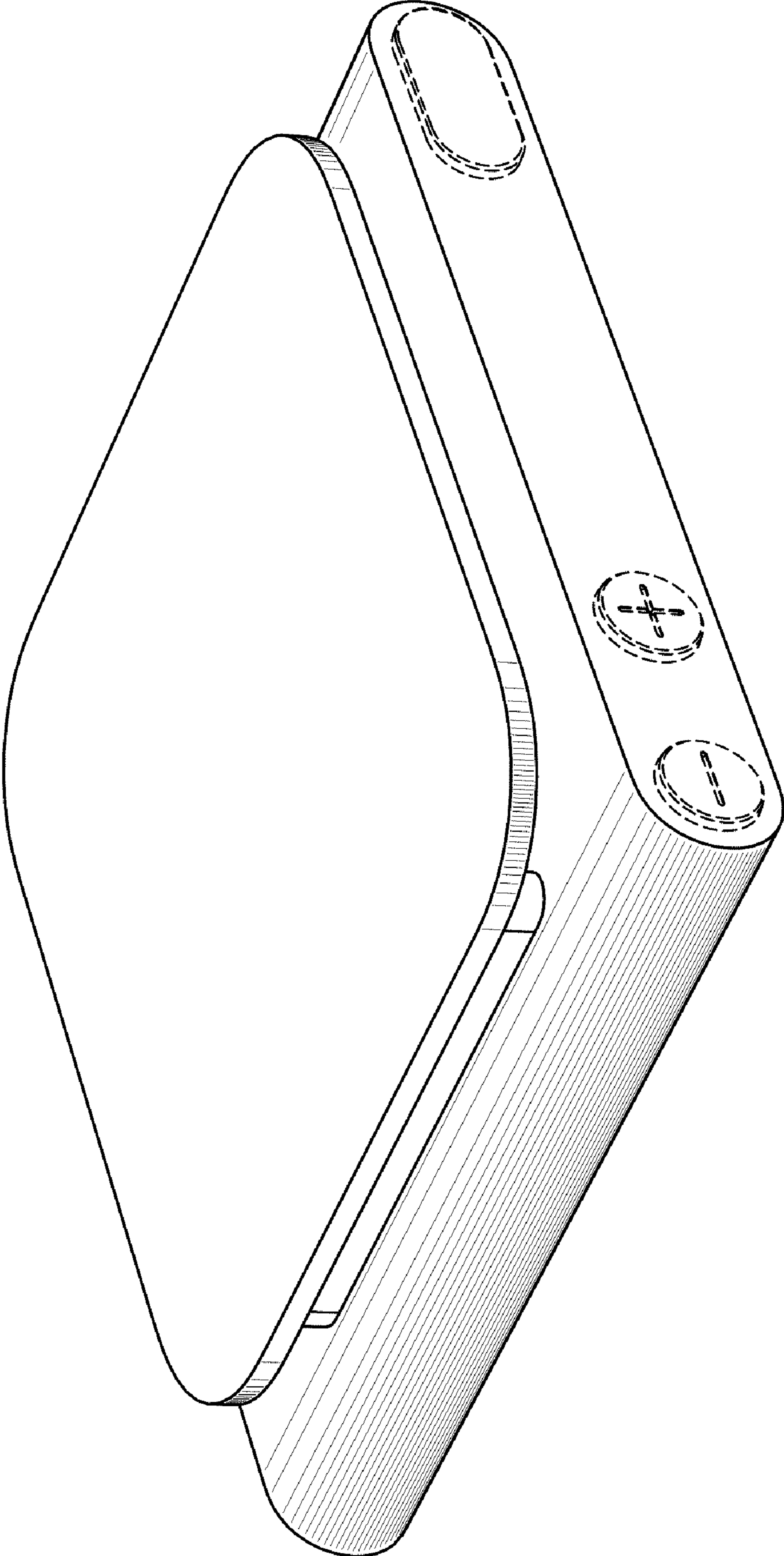


FIG.3

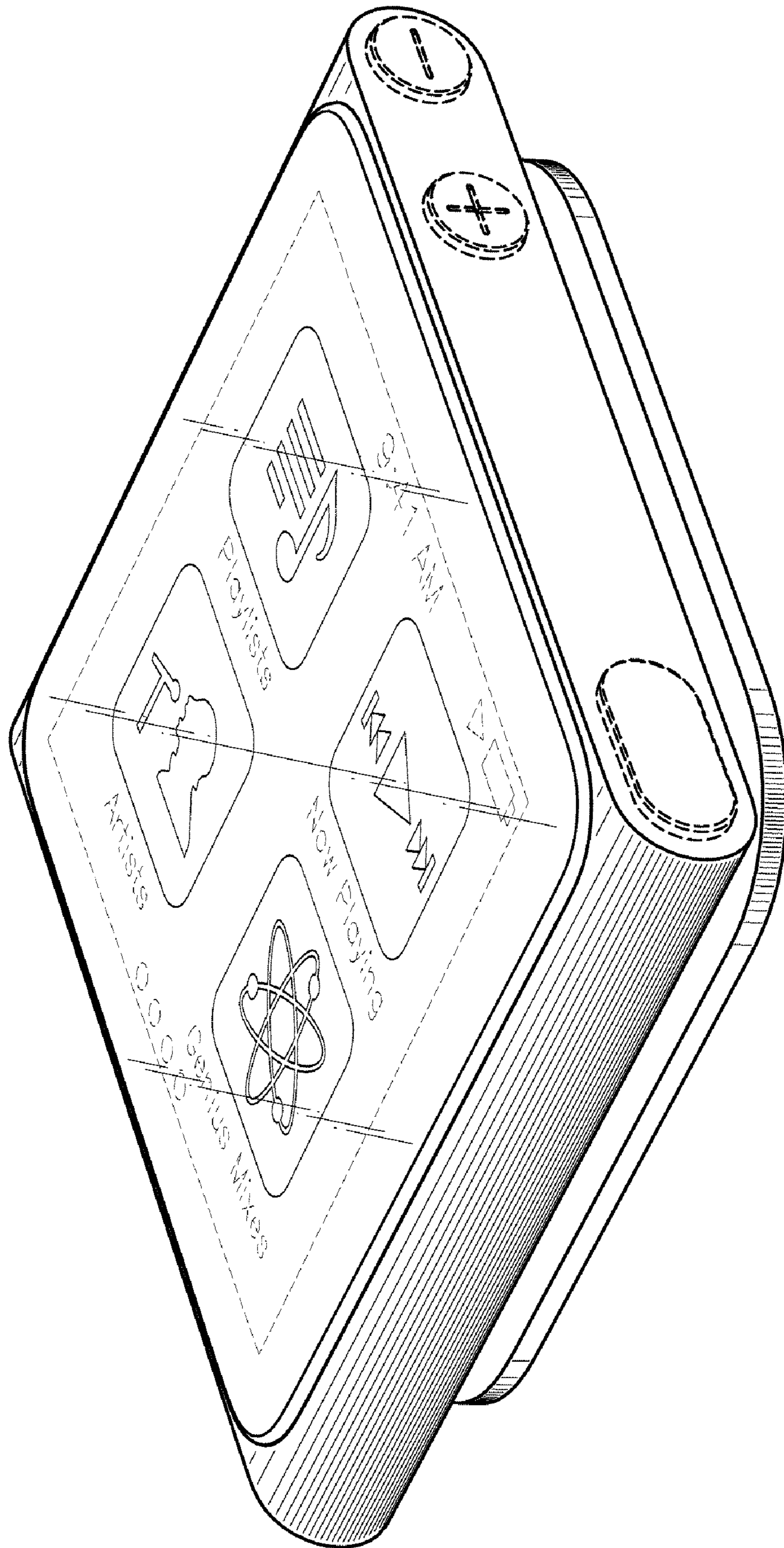


FIG.4

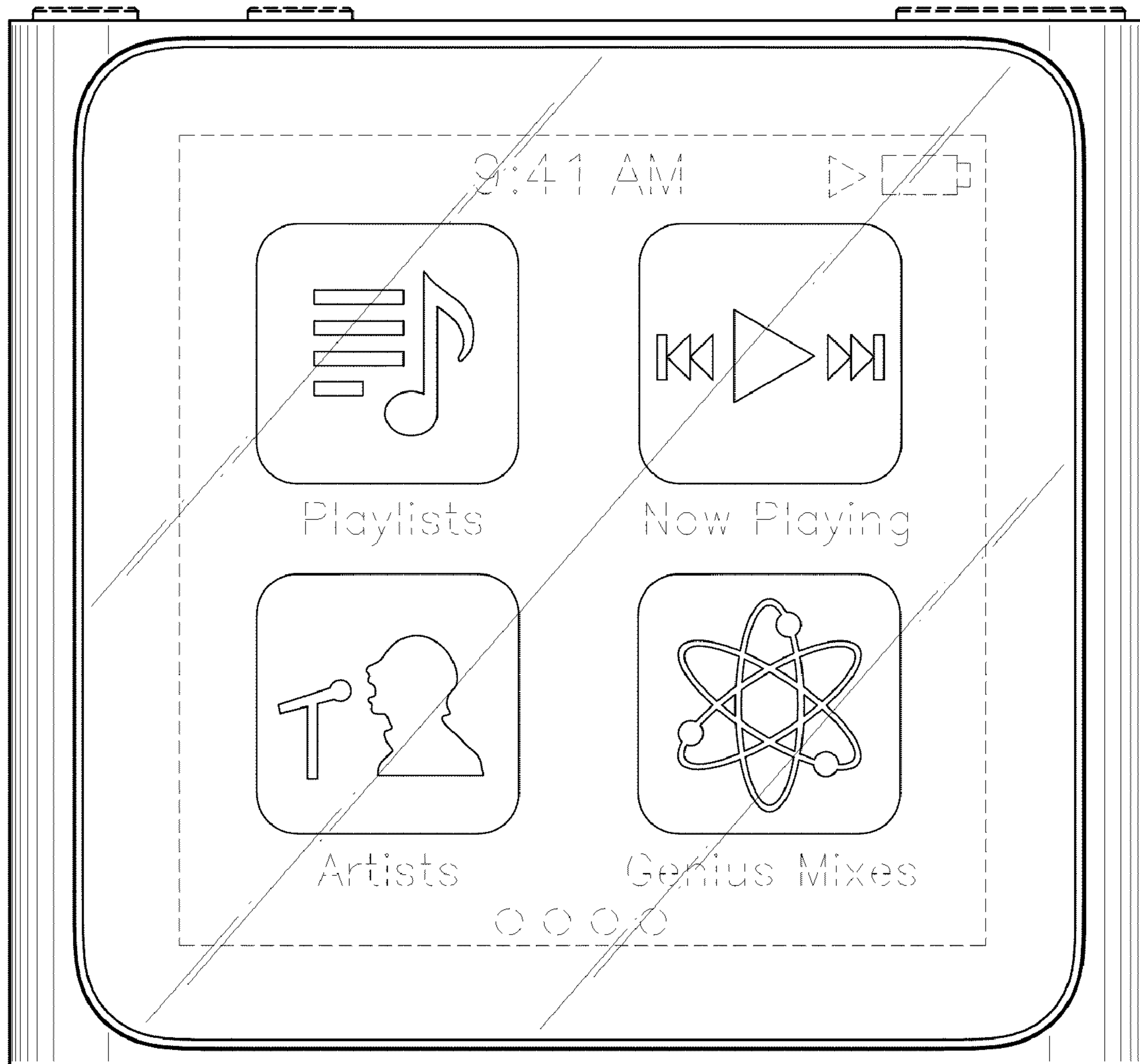


FIG.5

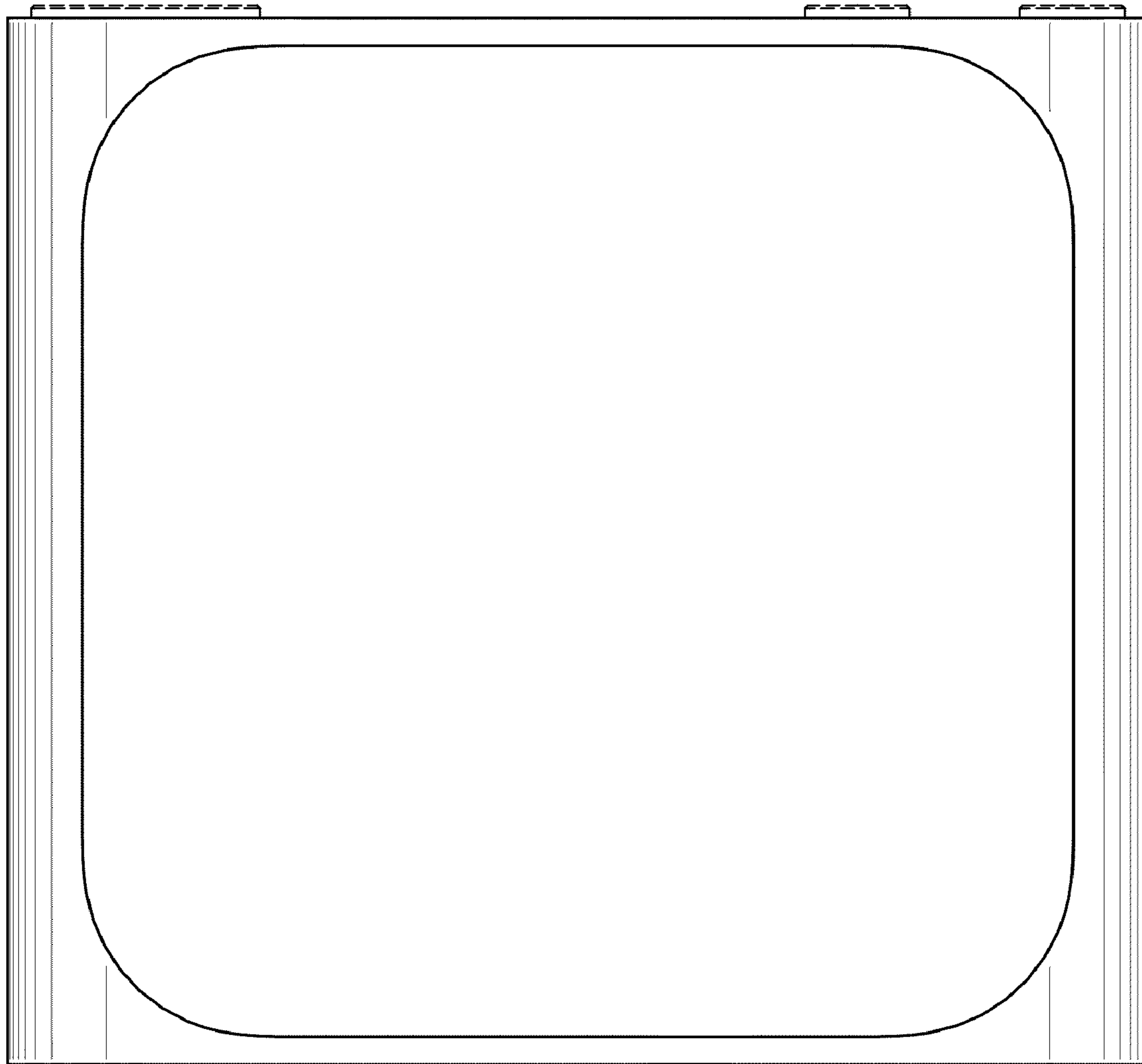


FIG. 6

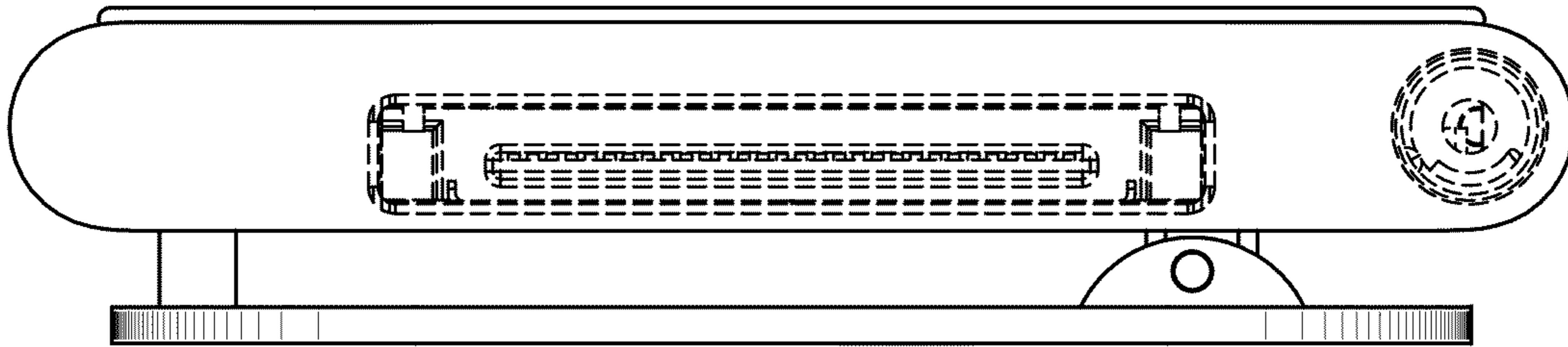


FIG. 7

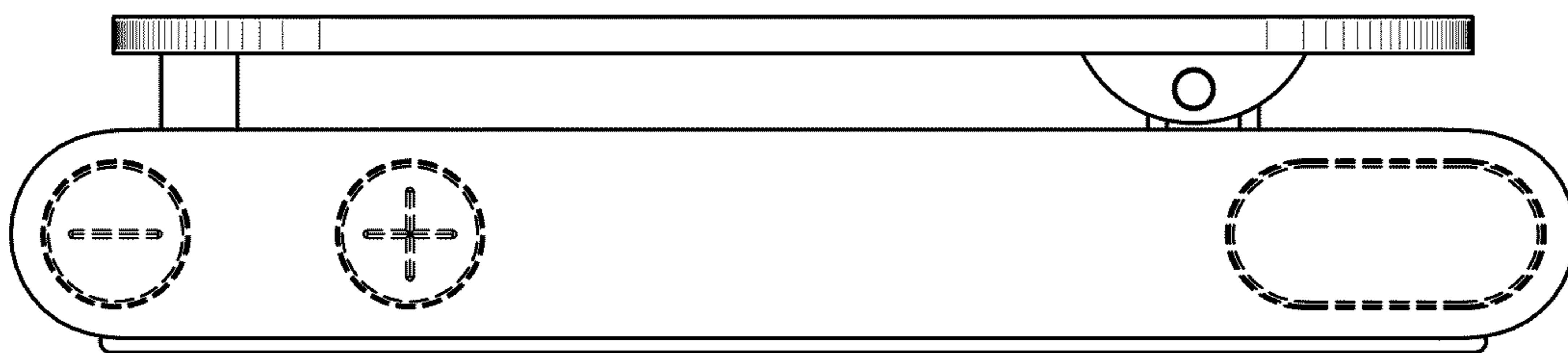


FIG. 8

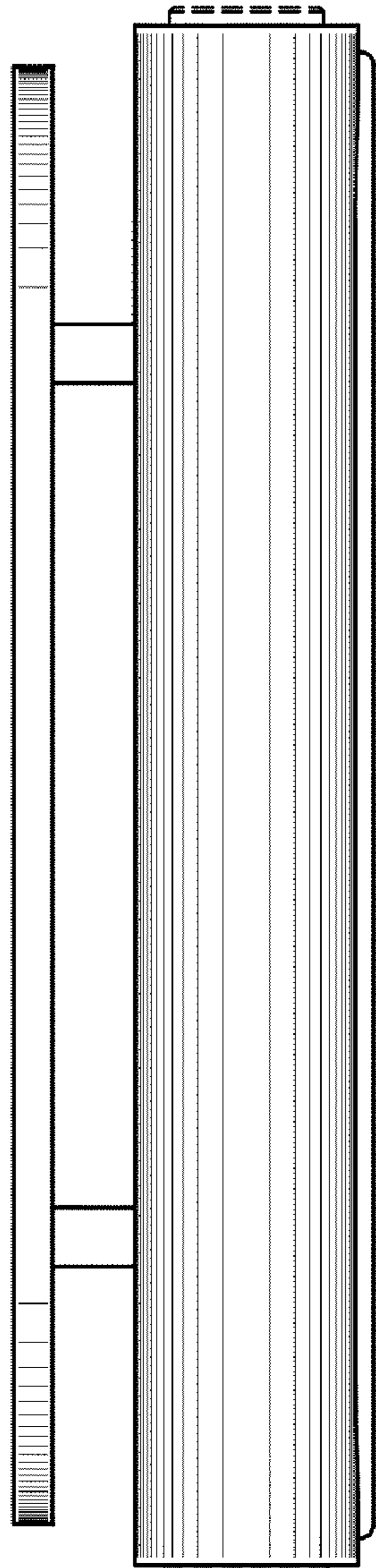


FIG. 9

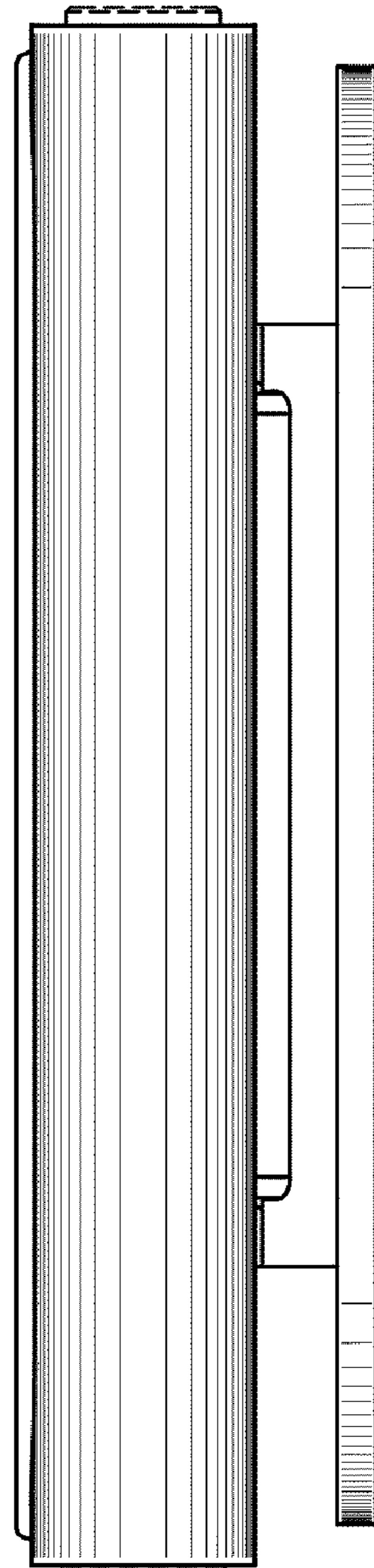


FIG. 10