



US00D647909S

(12) **United States Design Patent**
Chou et al.

(10) **Patent No.:** **US D647,909 S**
(45) **Date of Patent:** **** Nov. 1, 2011**

(54) **MONITOR FRAME**
(75) Inventors: **Chien-Te Chou**, Taichung County (TW);
Ming-Sung Lin, Taipei County (TW)
(73) Assignee: **Hannstar Display Corp.**, Taipei County
(TW)

D594,236 S * 6/2009 Sidiropoulos D6/300
D602,936 S * 10/2009 Chu D14/371
D606,762 S * 12/2009 Tang et al. D6/308
D628,542 S * 12/2010 Chien D14/126
D628,969 S * 12/2010 Chien D14/126
D630,600 S * 1/2011 Chien D14/126
2004/0227048 A1 * 11/2004 Lom et al. 248/442.2

* cited by examiner

(**) Term: **14 Years**
(21) Appl. No.: **29/381,724**

Primary Examiner — Angela J Lee
(74) *Attorney, Agent, or Firm* — Stout, Uxa, Buyan & Mullins, LLP

(22) Filed: **Dec. 22, 2010**
(51) **LOC (9) Cl.** **14-02**
(52) **U.S. Cl.** **D14/450**
(58) **Field of Classification Search** D14/448,
D14/449, 450, 439, 440, 432, 371, 372, 373,
D14/374, 375, 376, 377, 378, 379, 380, 381,
D14/382, 336, 337, 125, 126, 127, 239; D6/300,
D6/308, 310; 345/905; 348/184, 739, 761,
348/766, 789, 790, 794, 825, 836, 840; 349/58;
248/917-924; 40/700; D20/10, 19, 27, 42
See application file for complete search history.

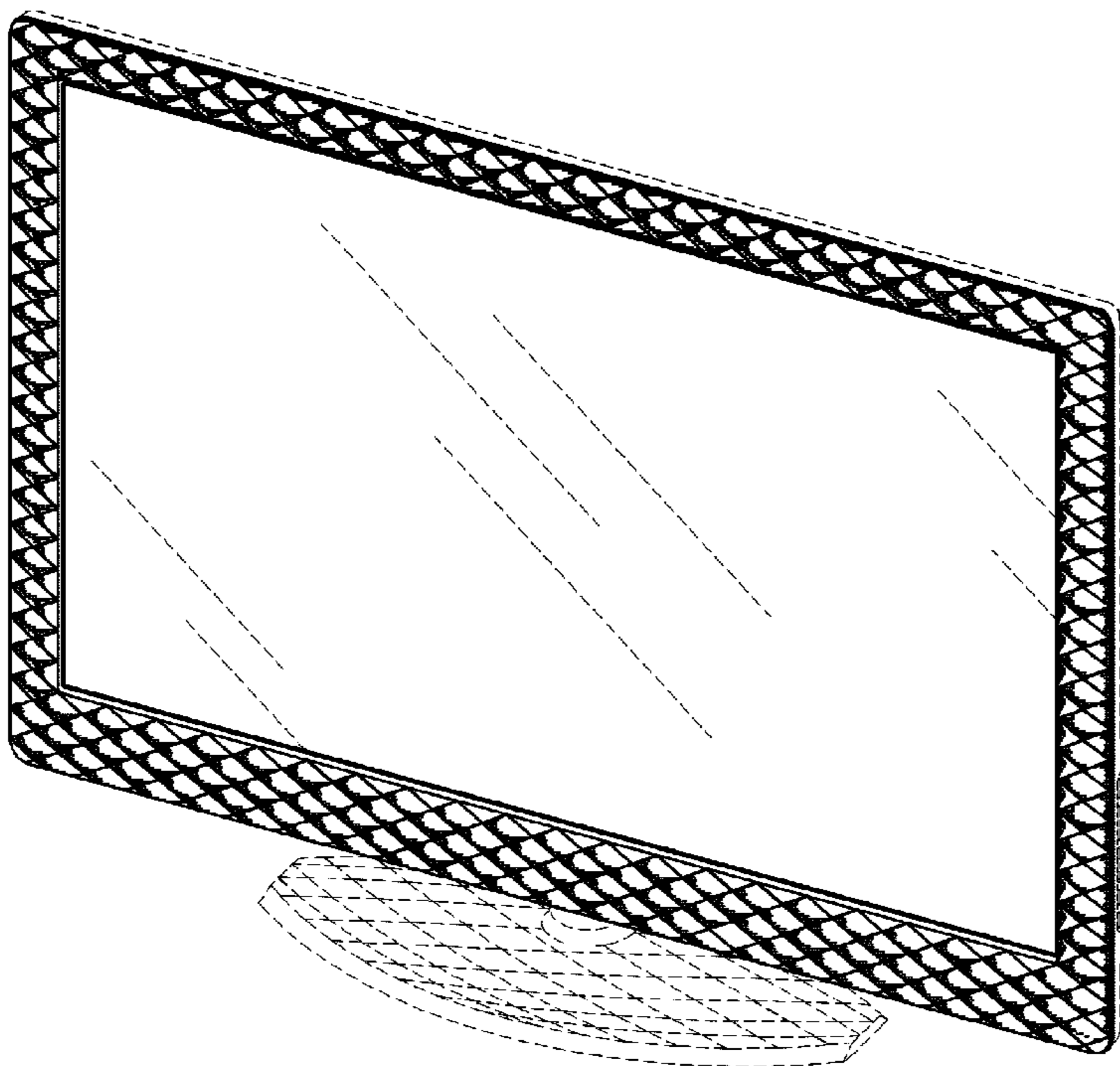
(57) **CLAIM**
The ornamental design for a monitor frame, as shown and described.

DESCRIPTION

FIG. 1 is a perspective view of a design for a monitor frame in accordance with our design;
FIG. 2 is a front elevational view thereof;
FIG. 3 is a rear elevational view thereof;
FIG. 4 is a left side elevational view thereof;
FIG. 5 is a right side elevational view thereof;
FIG. 6 is a top plan view thereof;
FIG. 7 is a bottom plan view thereof; and,
FIG. 8 is another perspective view.
The broken line showing of a monitor is included for the purpose of illustrating environment and forms no part of the claimed design.

(56) **References Cited**
U.S. PATENT DOCUMENTS
D429,486 S * 8/2000 Aeschbacher et al. D14/377
D487,271 S * 3/2004 Korpai D14/448
D487,273 S * 3/2004 Korpai D14/448
D489,906 S * 5/2004 Hardy et al. D6/300
D522,007 S * 5/2006 Cano D14/448
D531,967 S * 11/2006 Chia D14/126

1 Claim, 8 Drawing Sheets



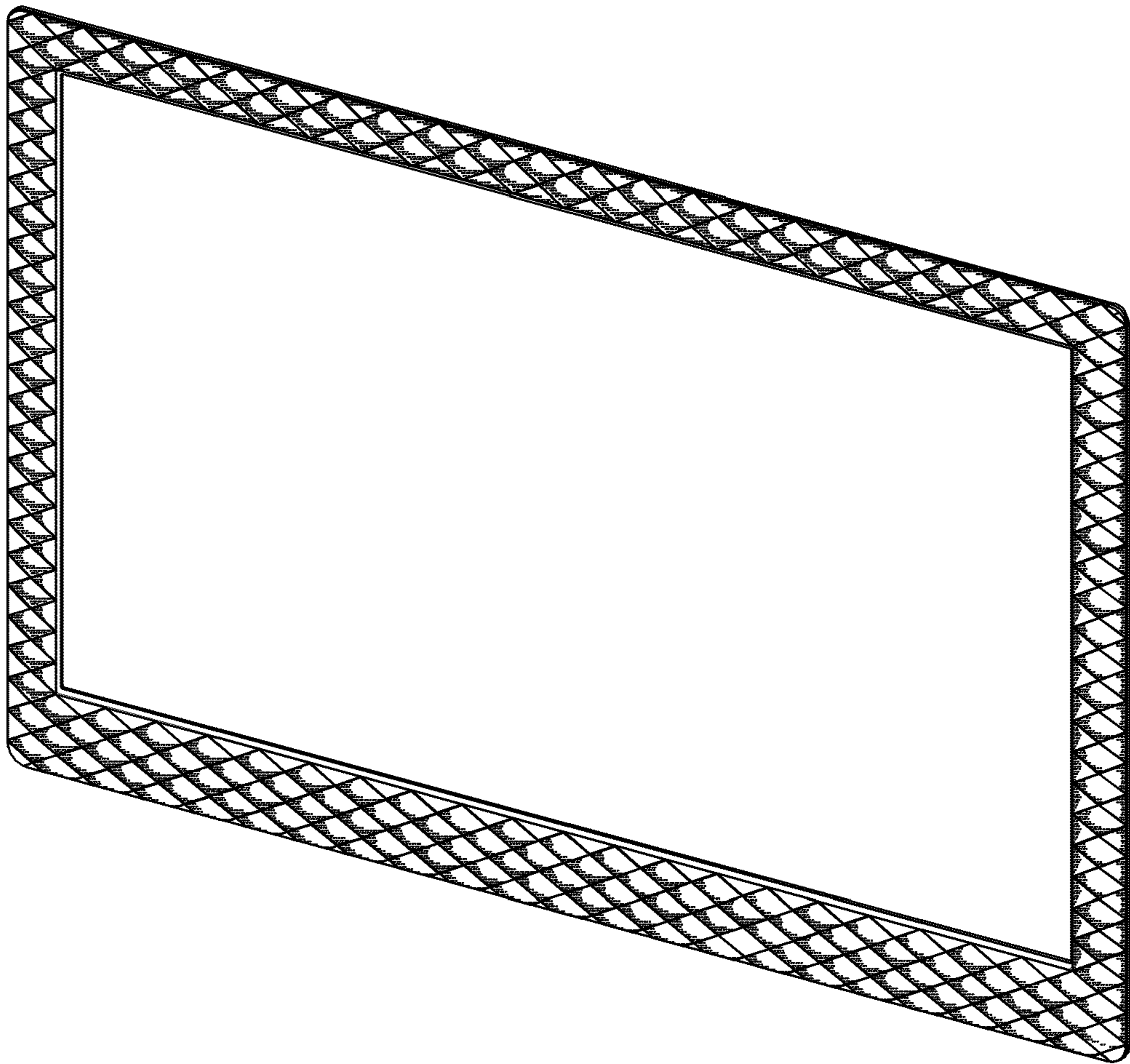


FIG. 1

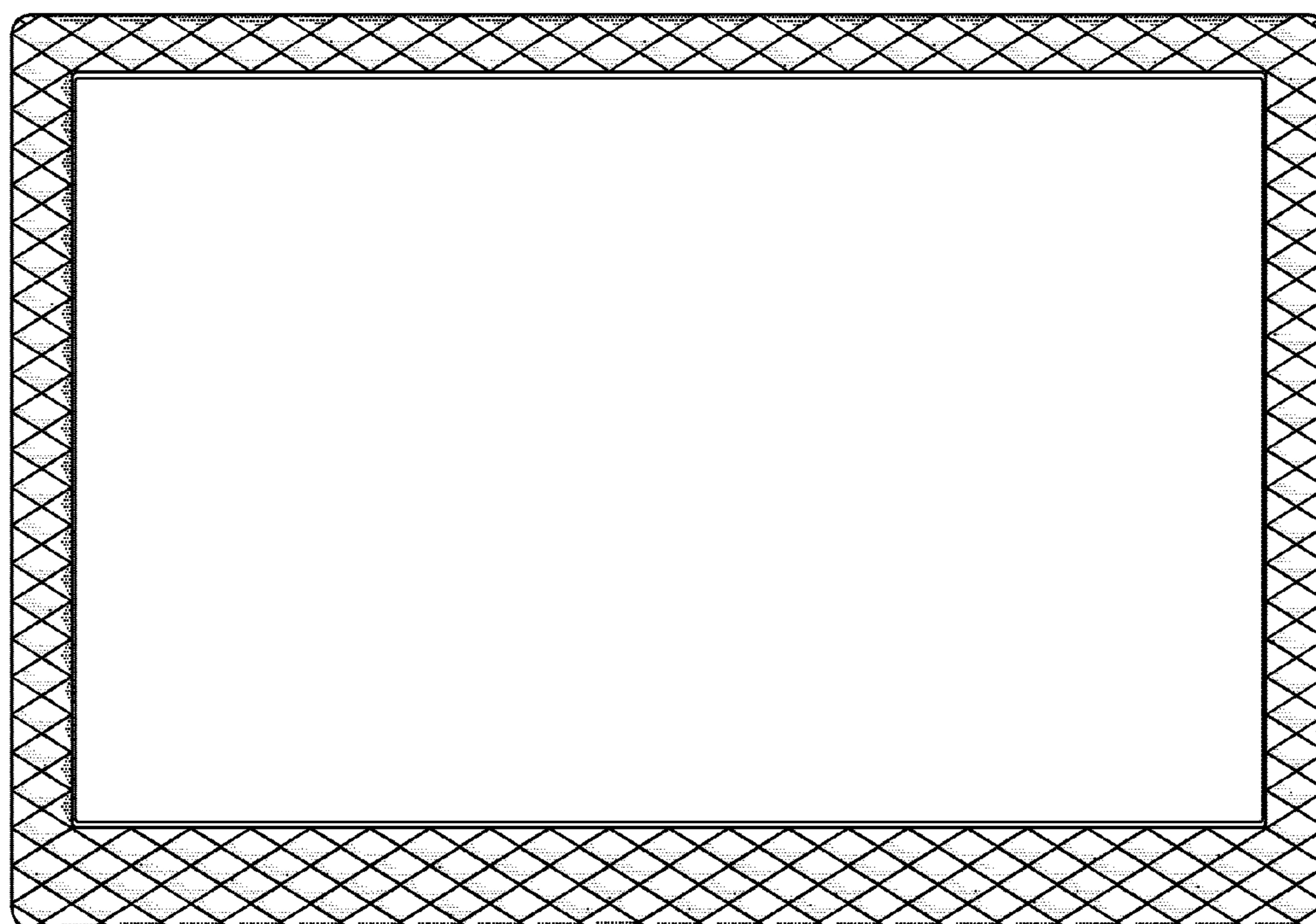


FIG. 2

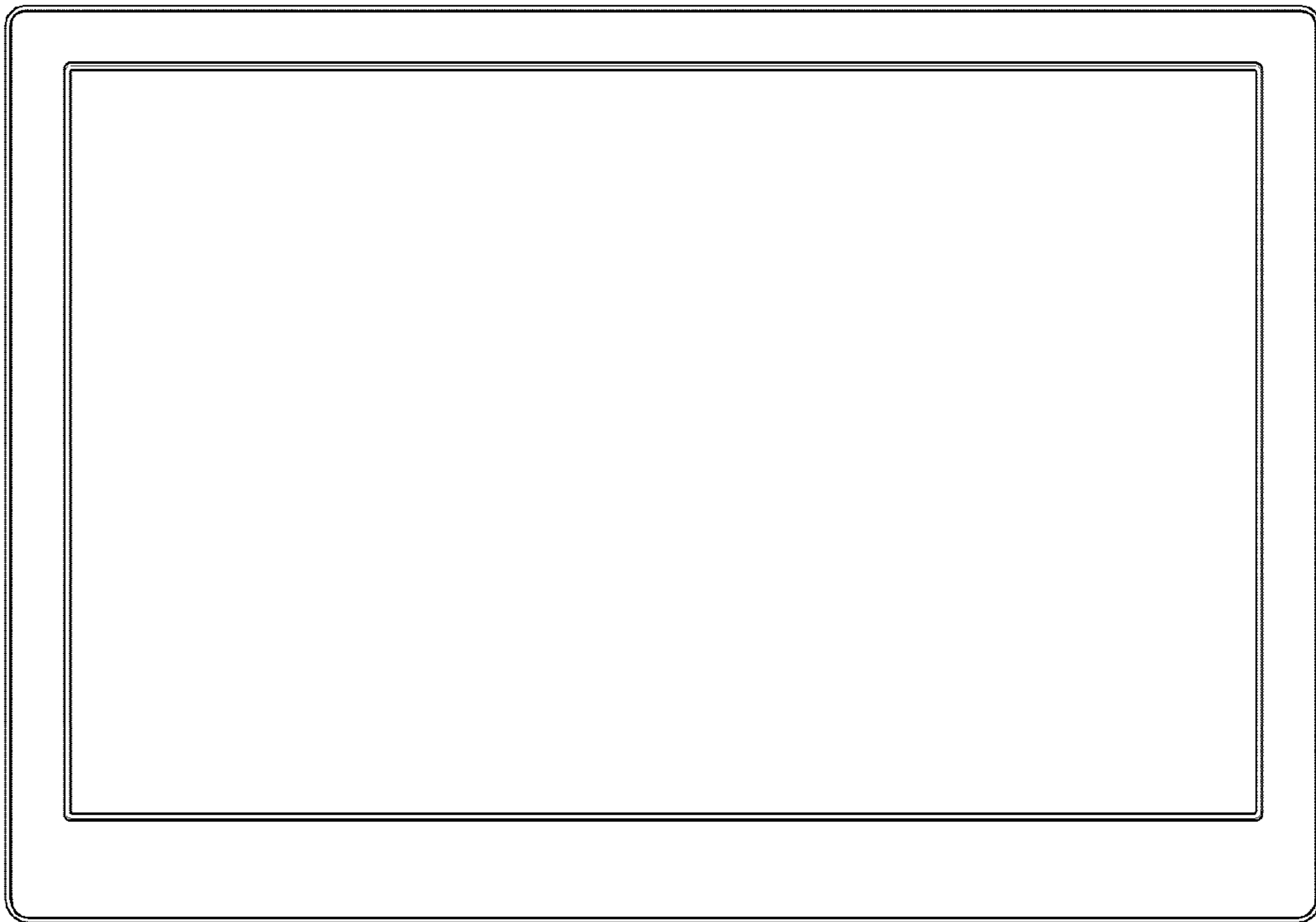


FIG. 3



FIG. 4



FIG. 5



FIG. 6



FIG. 7

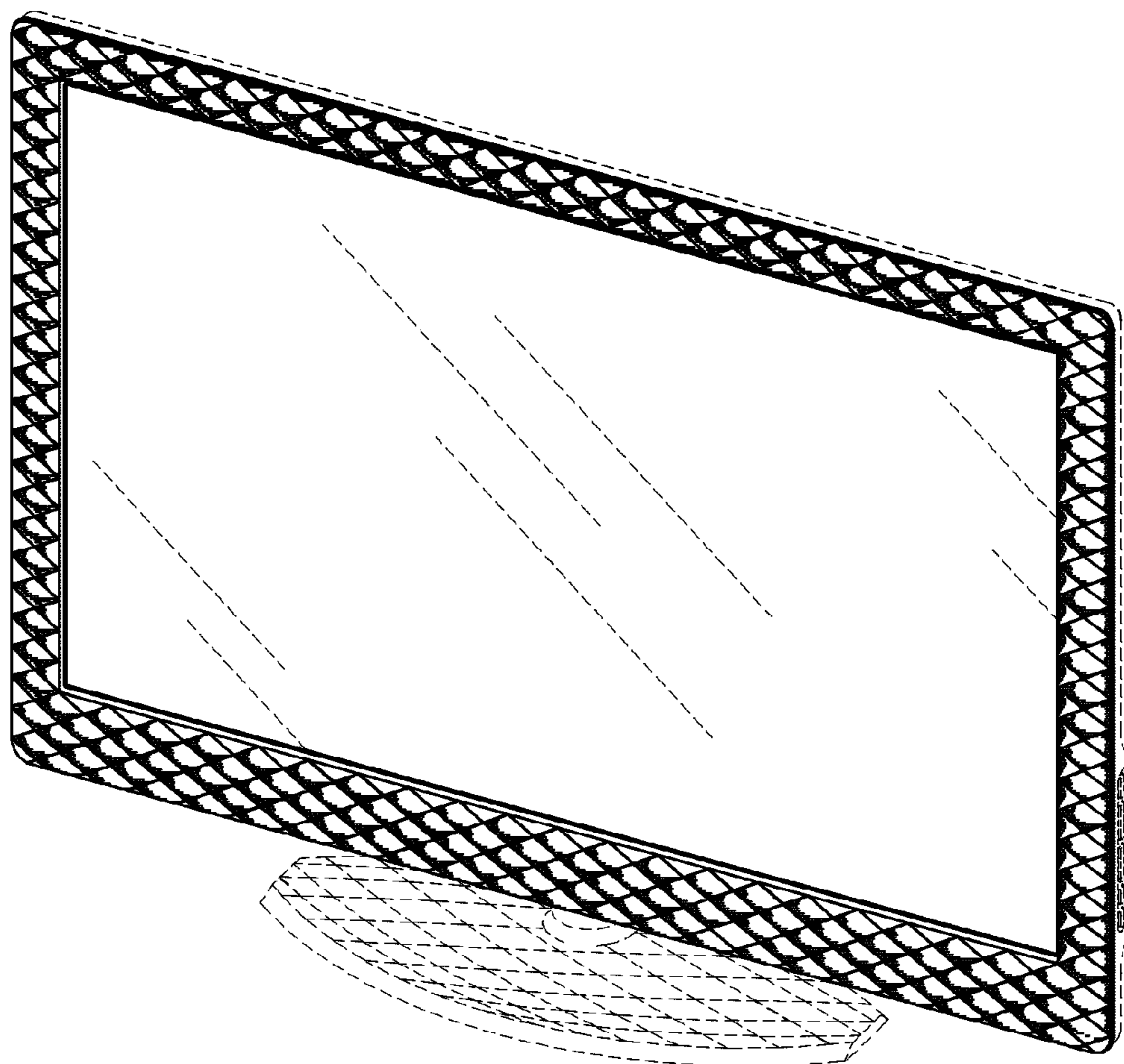


FIG. 8