



US00D647907S

(12) **United States Design Patent**  
**Perry et al.**

(10) **Patent No.:** **US D647,907 S**

(45) **Date of Patent:** **\*\* Nov. 1, 2011**

(54) **INTERFACE FOR MEDIA SHARING DEVICE**

(75) Inventors: **Michael Albert Perry**, San Jose, CA  
(US); **Michael Gene Morgan**, Los Altos  
Hills, CA (US)

(73) Assignee: **Seagate Technology LLC**, Scotts Valley,  
CA (US)

(\*\*) Term: **14 Years**

(21) Appl. No.: **29/379,128**

(22) Filed: **Nov. 15, 2010**

(51) **LOC (9) Cl.** ..... **14-02**

(52) **U.S. Cl.** ..... **D14/434**

(58) **Field of Classification Search** ..... D14/142,  
D14/149, 217, 251, 253, 432, 434, 435, 447,  
D14/496; D13/107-108, 118; D12/415,  
D12/400; 248/22.11, 309.1; 320/107, 110,  
320/113, 115

See application file for complete search history.

(56) **References Cited**

U.S. PATENT DOCUMENTS

|           |     |         |                  |         |
|-----------|-----|---------|------------------|---------|
| 4,288,733 | A * | 9/1981  | Bilanceri et al. | 320/113 |
| D322,060  | S * | 12/1991 | Iino             | D13/107 |
| D336,631  | S * | 6/1993  | Ivester          | D13/108 |
| 5,327,067 | A * | 7/1994  | Scholder         | 320/107 |
| D358,364  | S * | 5/1995  | Siddoway         | D13/108 |
| D383,737  | S * | 9/1997  | Zinck            | D14/356 |
| D388,764  | S * | 1/1998  | Bartling et al.  | D13/107 |

|              |      |         |                |           |
|--------------|------|---------|----------------|-----------|
| 5,933,812    | A *  | 8/1999  | Meyer et al.   | 705/15    |
| 6,349,036    | B1 * | 2/2002  | Chang et al.   | 361/730   |
| D456,350     | S *  | 4/2002  | Mott et al.    | D13/108   |
| D470,480     | S *  | 2/2003  | Ikeda          | D14/230   |
| D535,614     | S *  | 1/2007  | Majanen et al. | D13/108   |
| D640,699     | S *  | 6/2011  | McParland      | D14/434   |
| 2010/0252699 | A1 * | 10/2010 | Perkins        | 248/205.3 |
| 2011/0173365 | A1 * | 7/2011  | Wu             | 710/303   |

\* cited by examiner

*Primary Examiner* — Karen E Kearney

(74) *Attorney, Agent, or Firm* — Banner & Witcoff, Ltd.

(57) **CLAIM**

The ornamental design for an interface for media sharing device, as shown and described.

**DESCRIPTION**

FIG. 1 is a top perspective view of an interface for media sharing device showing our new design;

FIG. 2 is a top view thereof;

FIG. 3 is a left side view thereof;

FIG. 4 is a right side view thereof;

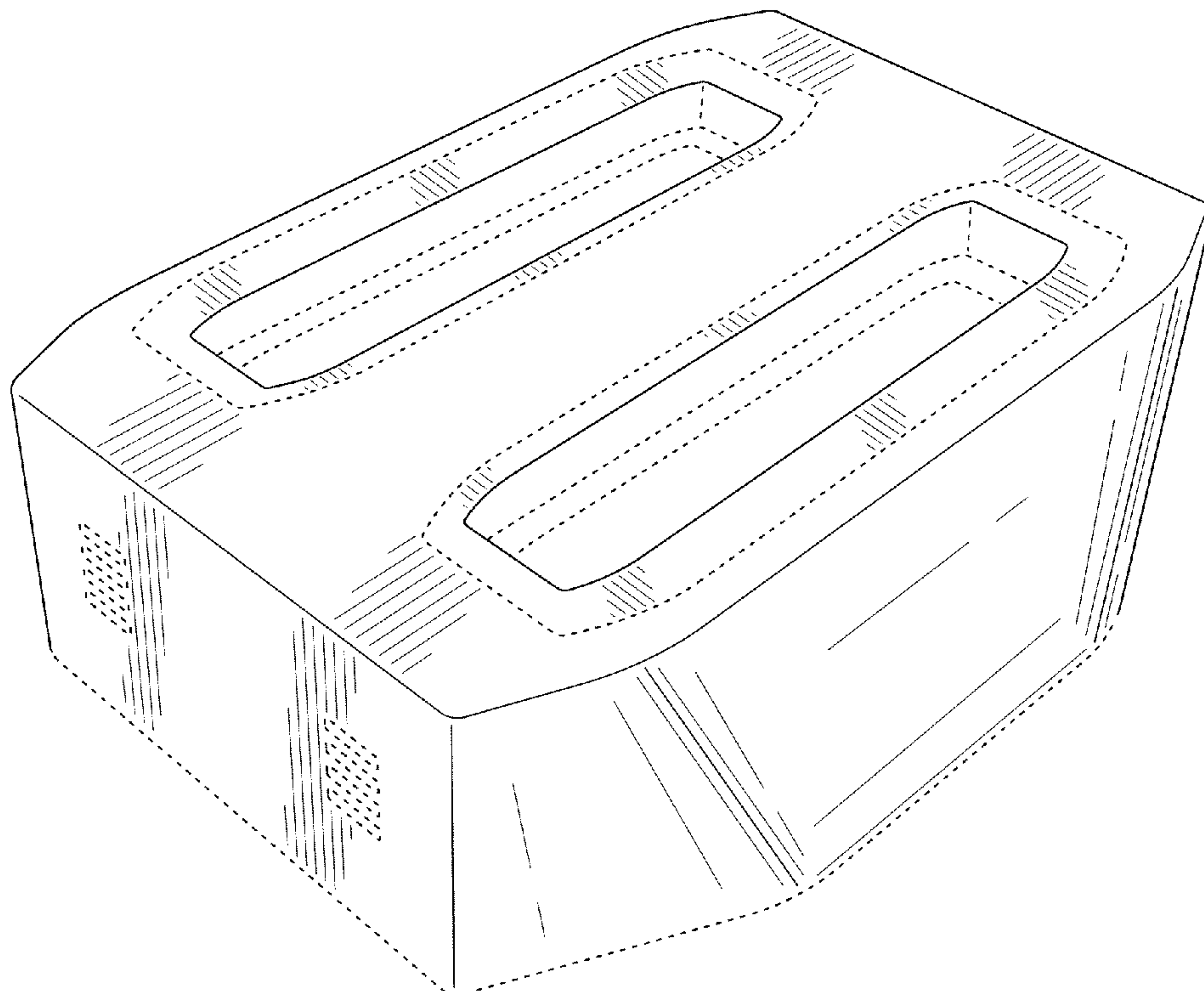
FIG. 5 is a front view thereof;

FIG. 6 is a rear view thereof; and,

FIG. 7 is a bottom view thereof.

The broken line immediately adjacent the shaded area represents the bounds of the claimed design while all other broken line showings of the two curved rectangles on the top surface, the two recessed regions, and the remainder of the interface for media sharing device are directed to unclaimed portions and are for environmental purposes only; the broken lines form no part of the claimed design.

**1 Claim, 5 Drawing Sheets**



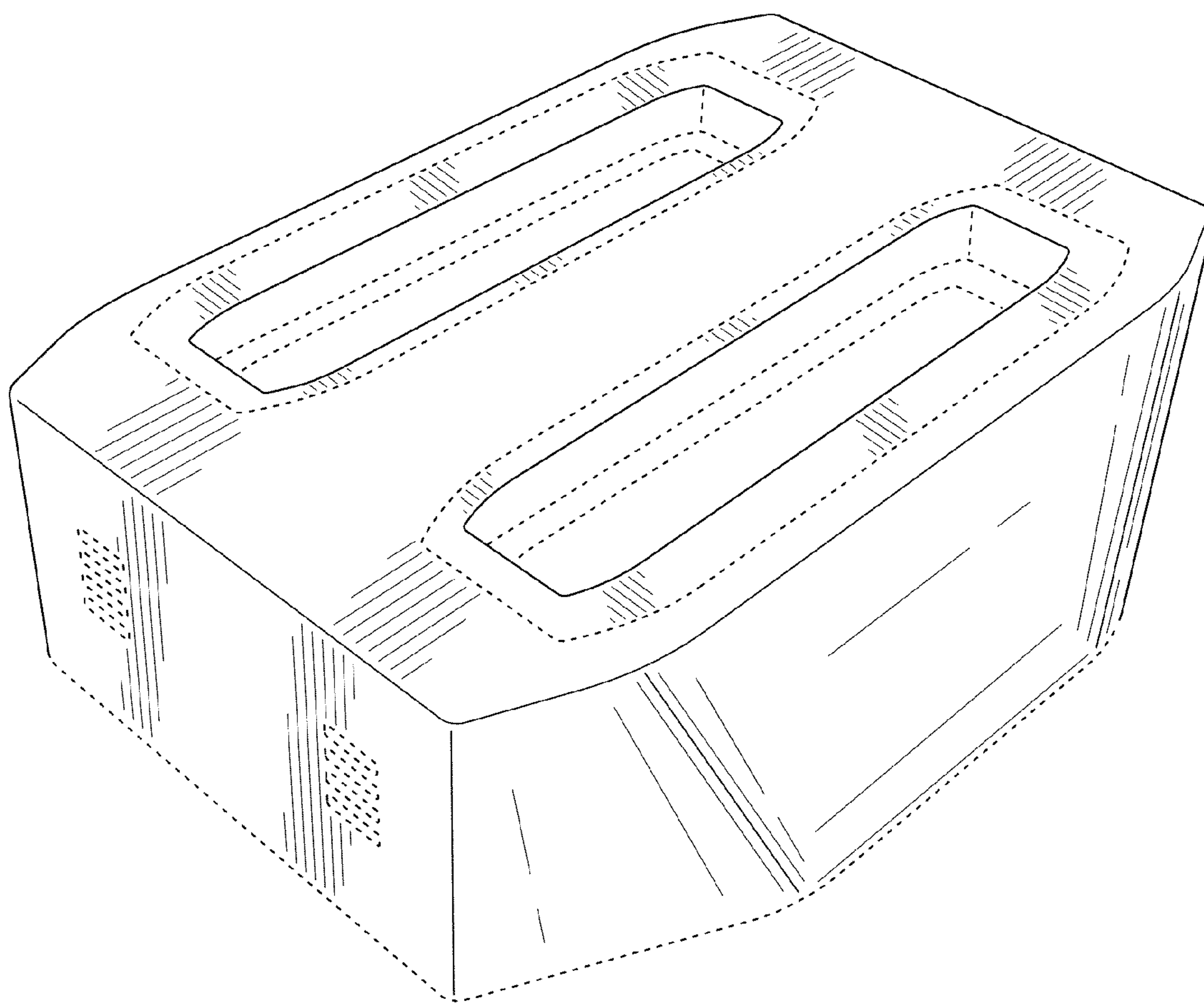


FIG. 1

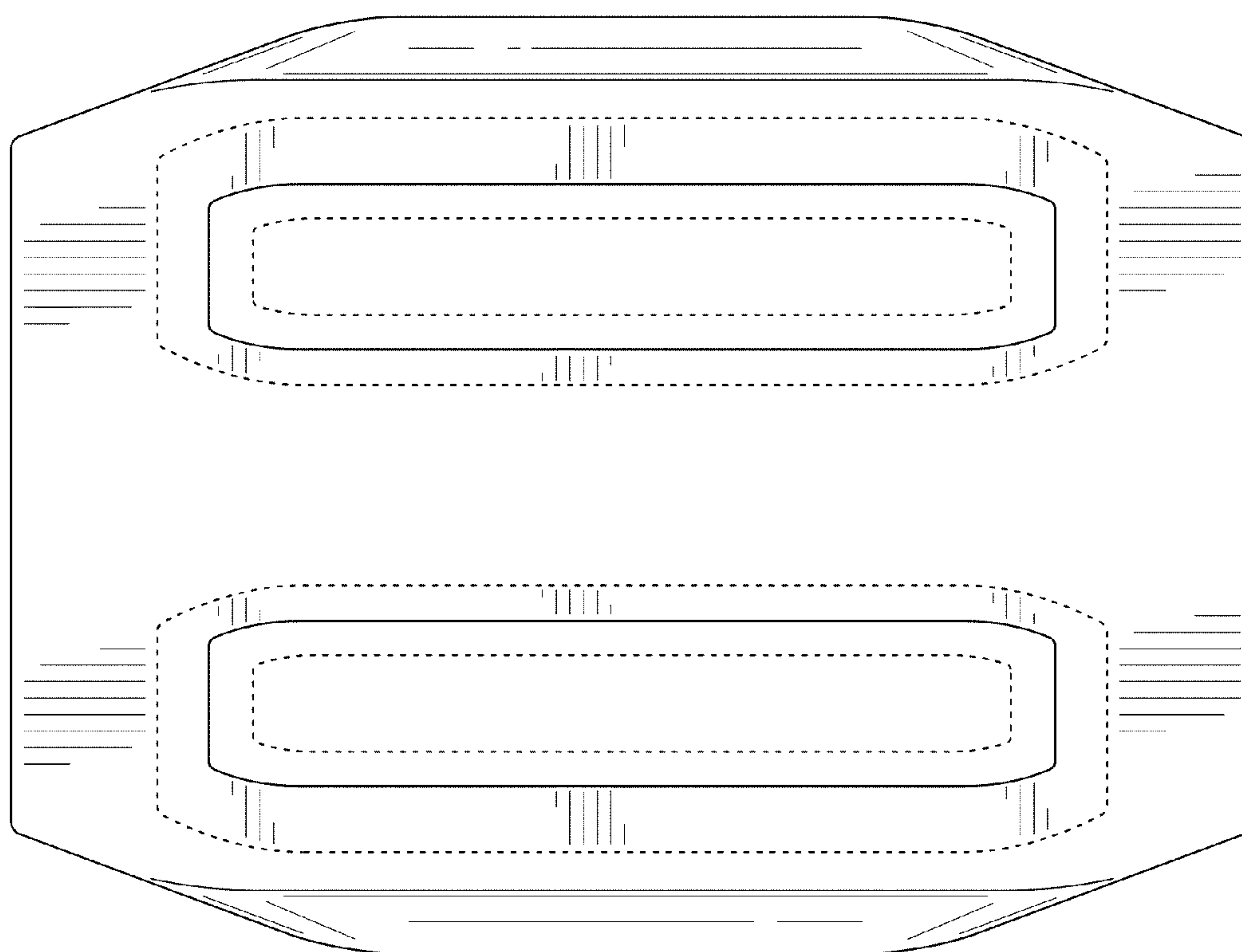


FIG. 2

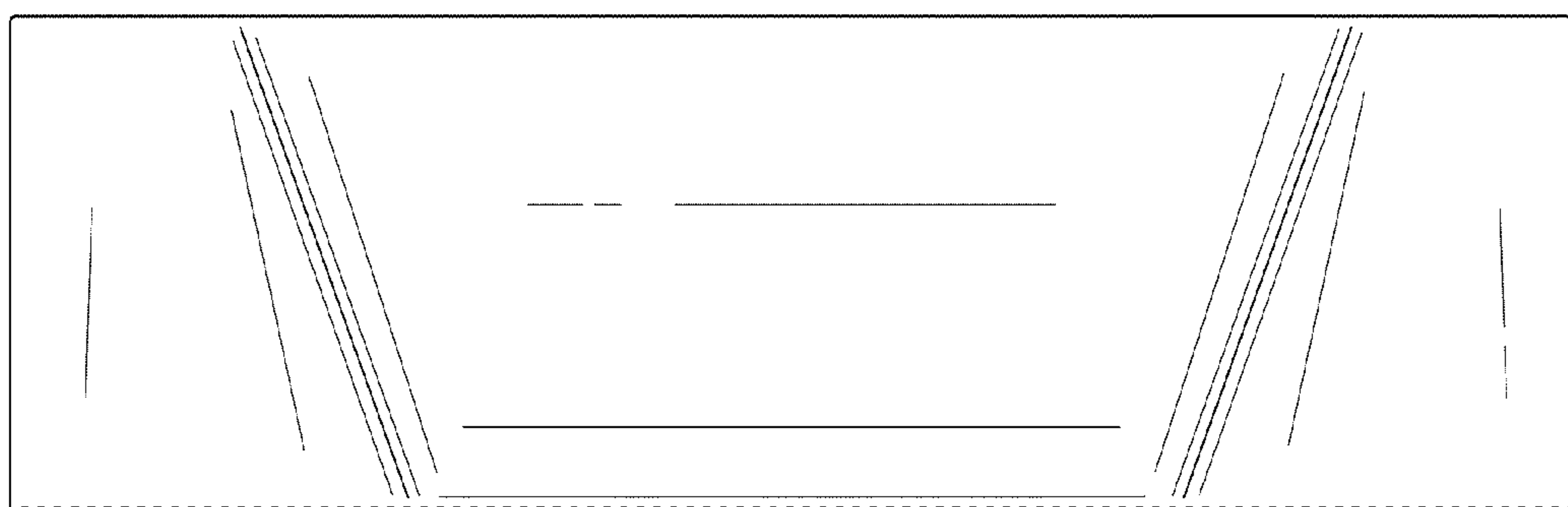


FIG. 3

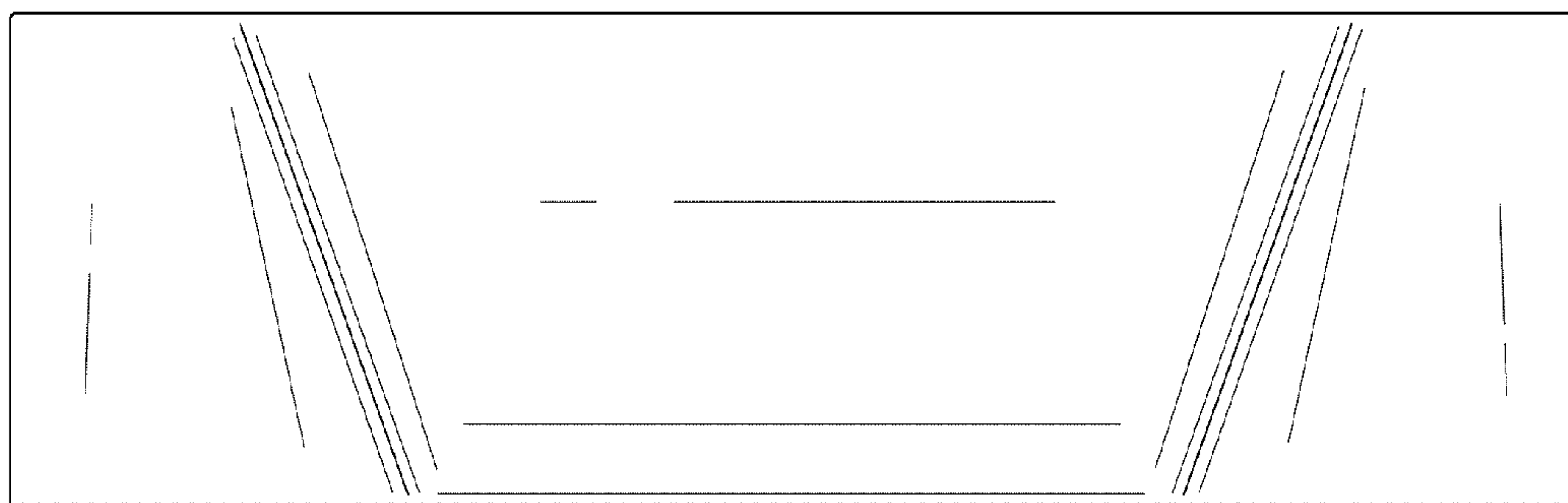


FIG. 4

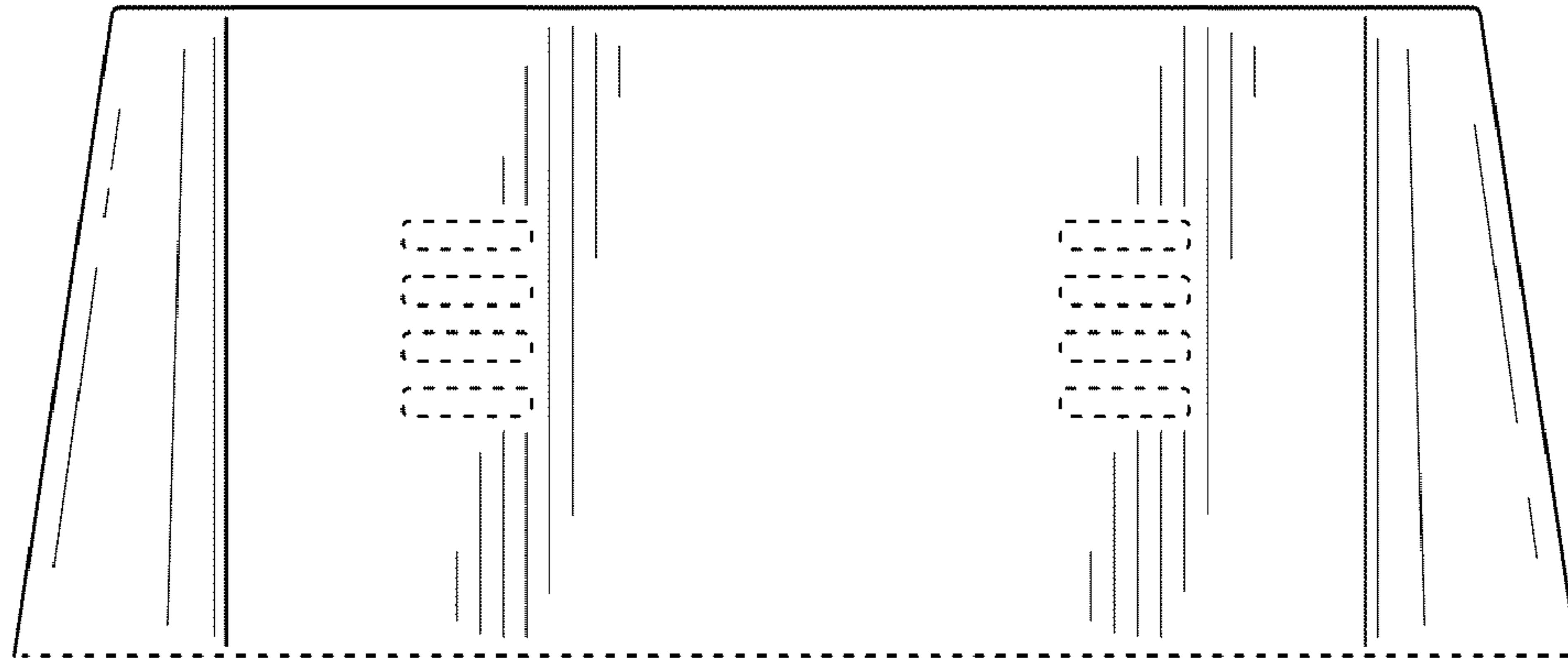


FIG. 5

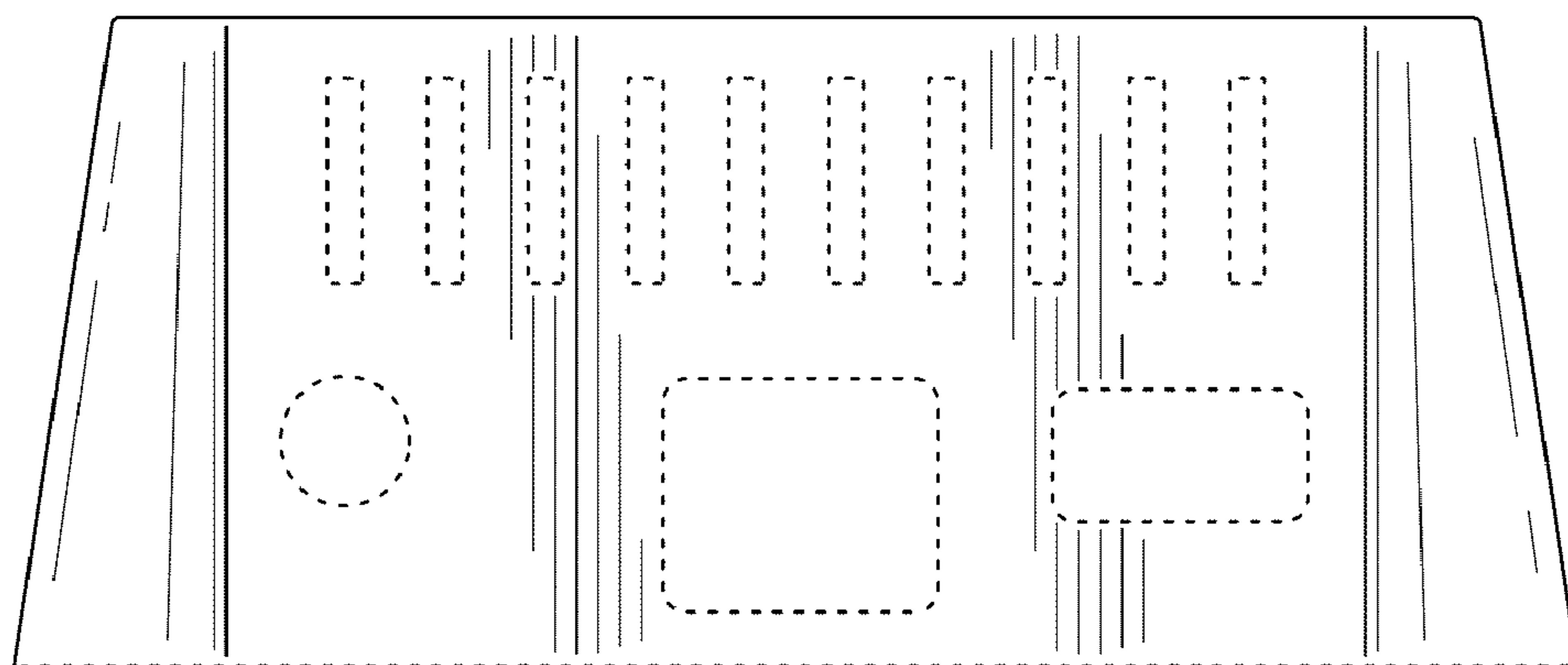


FIG. 6

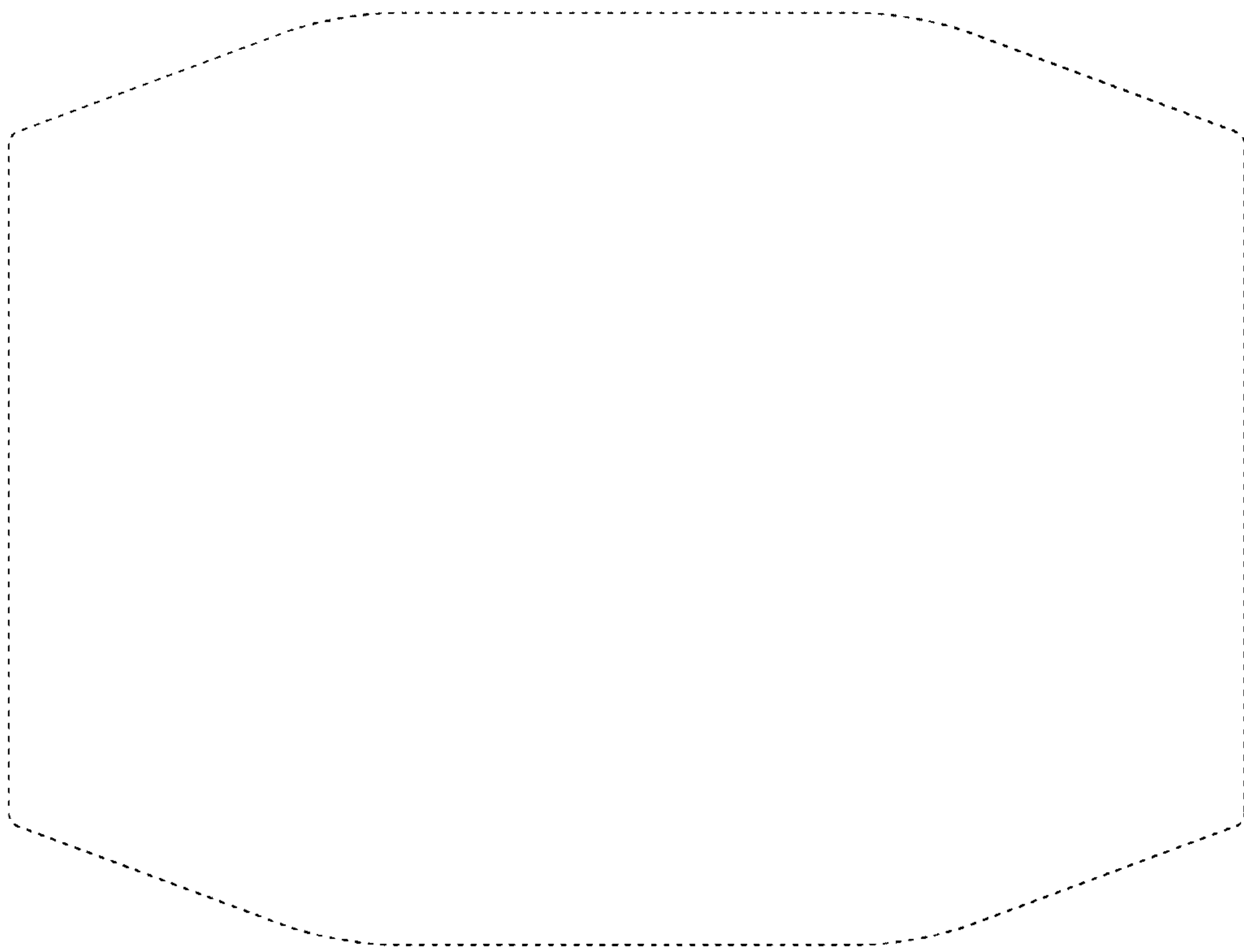


FIG. 7