



US00D647904S

(12) **United States Design Patent**
Lee et al.

(10) **Patent No.:** **US D647,904 S**
(45) **Date of Patent:** **** Nov. 1, 2011**

(54) **LIGHT EMITTING DIODE MONITOR**

(75) Inventors: **Minjae Lee**, Seoul (KR); **Gangho Woo**, Seoul (KR); **Hongyoul Choi**, Seoul (KR)

(73) Assignee: **LG Electronics Inc.**, Seoul (KR)

(**) Term: **14 Years**

(21) Appl. No.: **29/384,122**

(22) Filed: **Jan. 27, 2011**

(30) **Foreign Application Priority Data**

Jul. 29, 2010 (KR) 30-2010-0033299

(51) **LOC (9) Cl.** **14-02**

(52) **U.S. Cl.** **D14/374**

(58) **Field of Classification Search** D14/371-376,
D14/125-129, 336, 337; 248/917-924, 278.1;
345/104, 156, 173, 174, 901-905; 348/180,
348/184, 325, 739, 836; 361/679.01, 679.02,
361/679.21-679.25; 349/1, 2, 11, 58

See application file for complete search history.

(56) **References Cited**

U.S. PATENT DOCUMENTS

D494,941 S * 8/2004 Kim D14/126
6,837,469 B2 * 1/2005 Wu et al. 248/278.1
D584,310 S * 1/2009 Kim et al. D14/374
D584,729 S * 1/2009 Kim et al. D14/374
D592,664 S * 5/2009 Lee et al. D14/375

D593,974 S * 6/2009 Yang et al. D14/126
D597,041 S * 7/2009 Cho et al. D14/126
D610,143 S * 2/2010 Park et al. D14/374
D630,209 S * 1/2011 Lee et al. D14/374
D635,569 S * 4/2011 Park D14/374
2003/0058372 A1 * 3/2003 Williams et al. 348/836

* cited by examiner

Primary Examiner — Freda S Nunn

(74) *Attorney, Agent, or Firm* — Birch, Stewart, Kolasch & Birch, LLP

(57) **CLAIM**

The ornamental design for a light emitting diode monitor, as shown and described.

DESCRIPTION

FIG. 1 is a perspective view of a light emitting diode monitor showing our new design;
FIG. 2 is a front view thereof;
FIG. 3 is a rear view thereof;
FIG. 4 is a left side view thereof;
FIG. 5 is a right side view thereof;
FIG. 6 is a top plan view thereof;
FIG. 7 is a bottom plan view thereof; and,
FIG. 8 is a right side view thereof wherein hatching is used to indicate the section of the monitor consisting of transparent material.

1 Claim, 7 Drawing Sheets

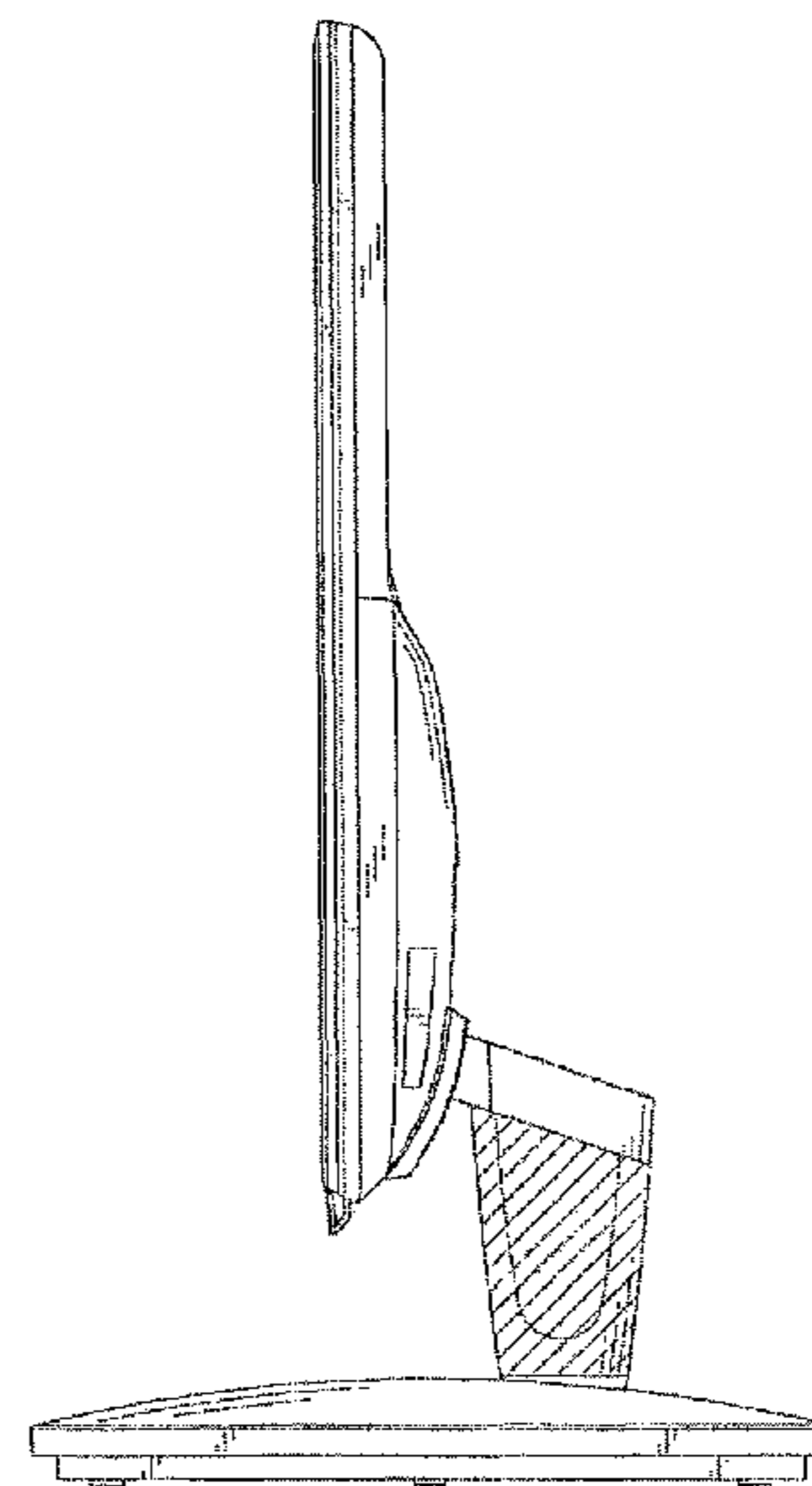
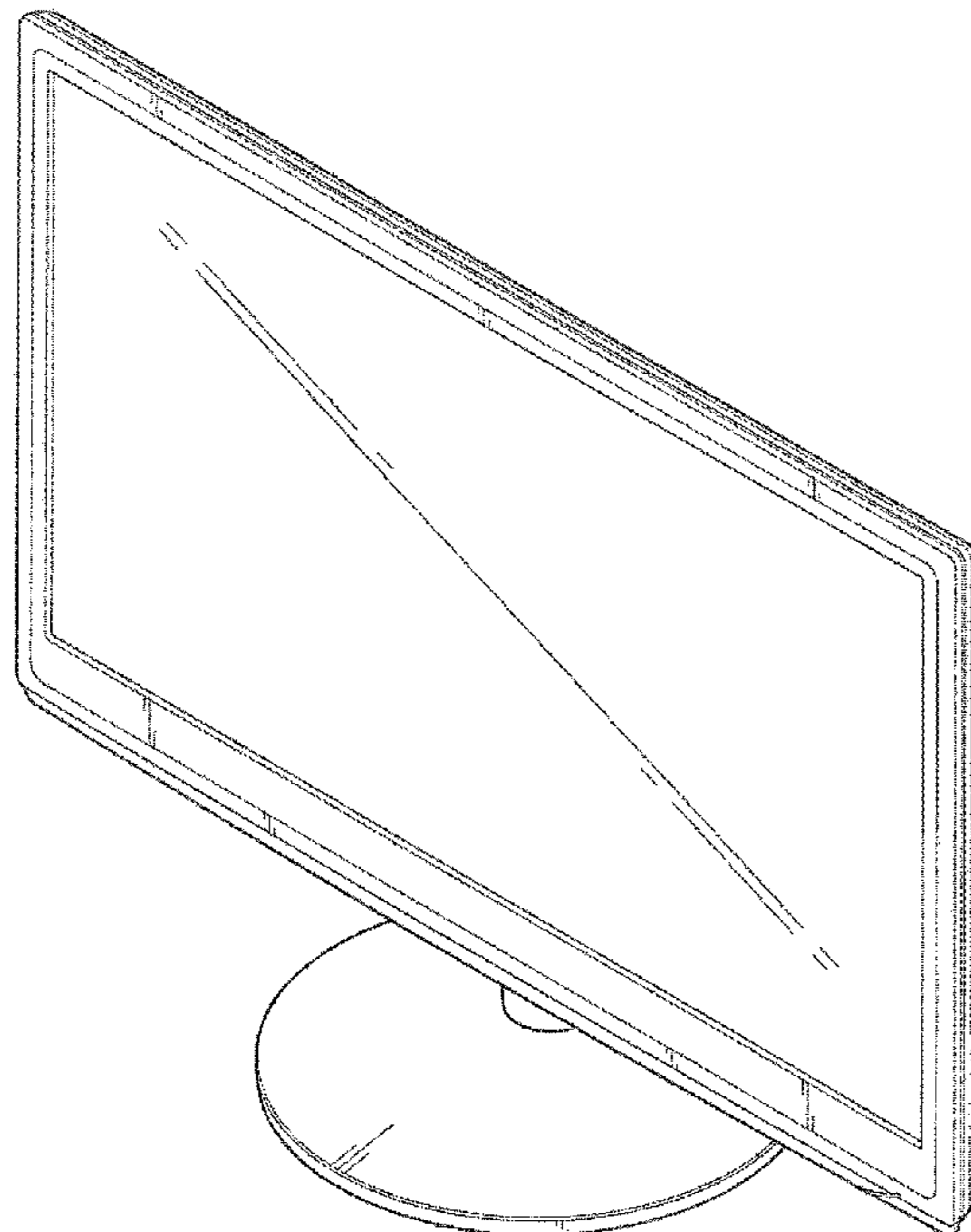


FIG. 1

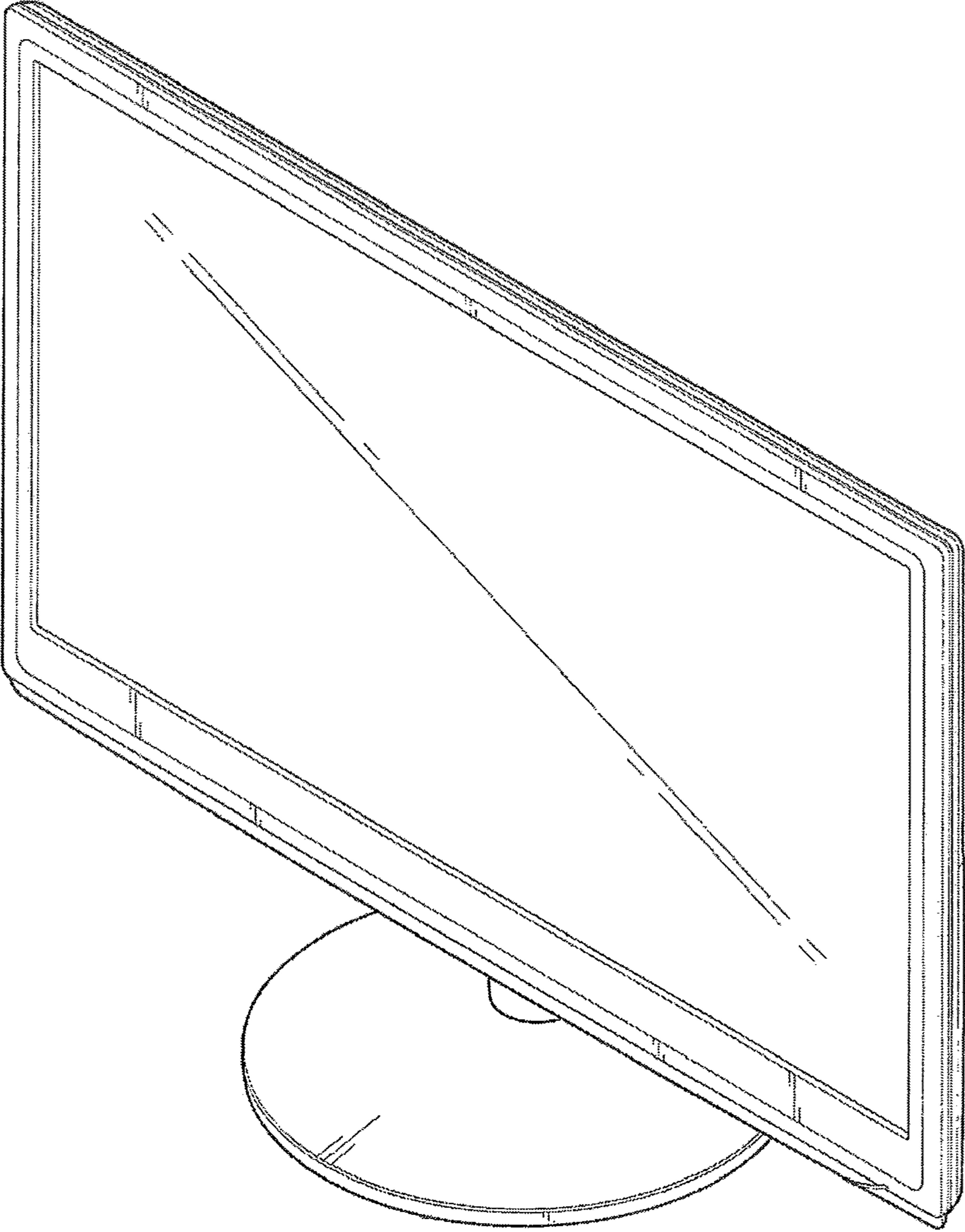


FIG. 2

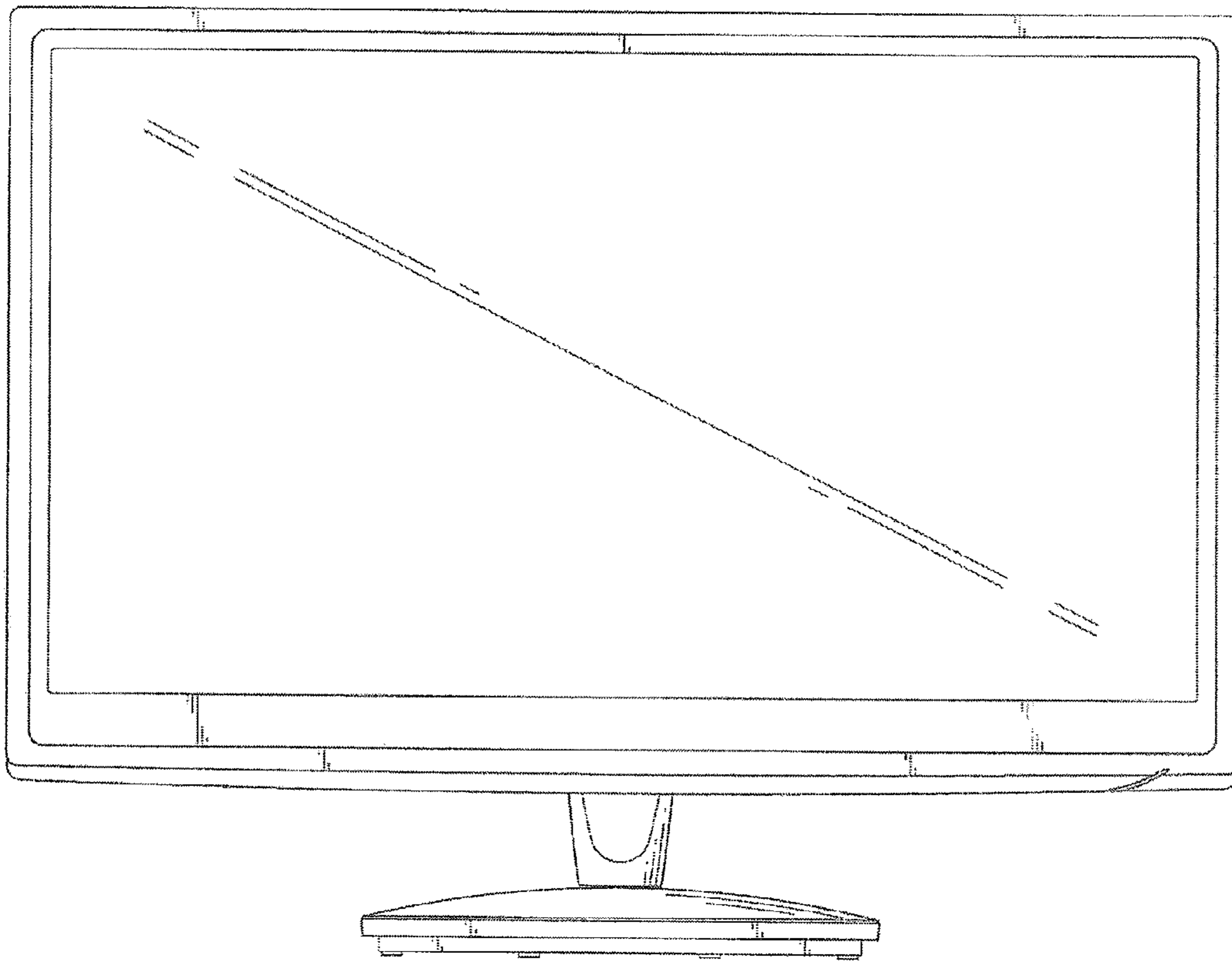


FIG. 3

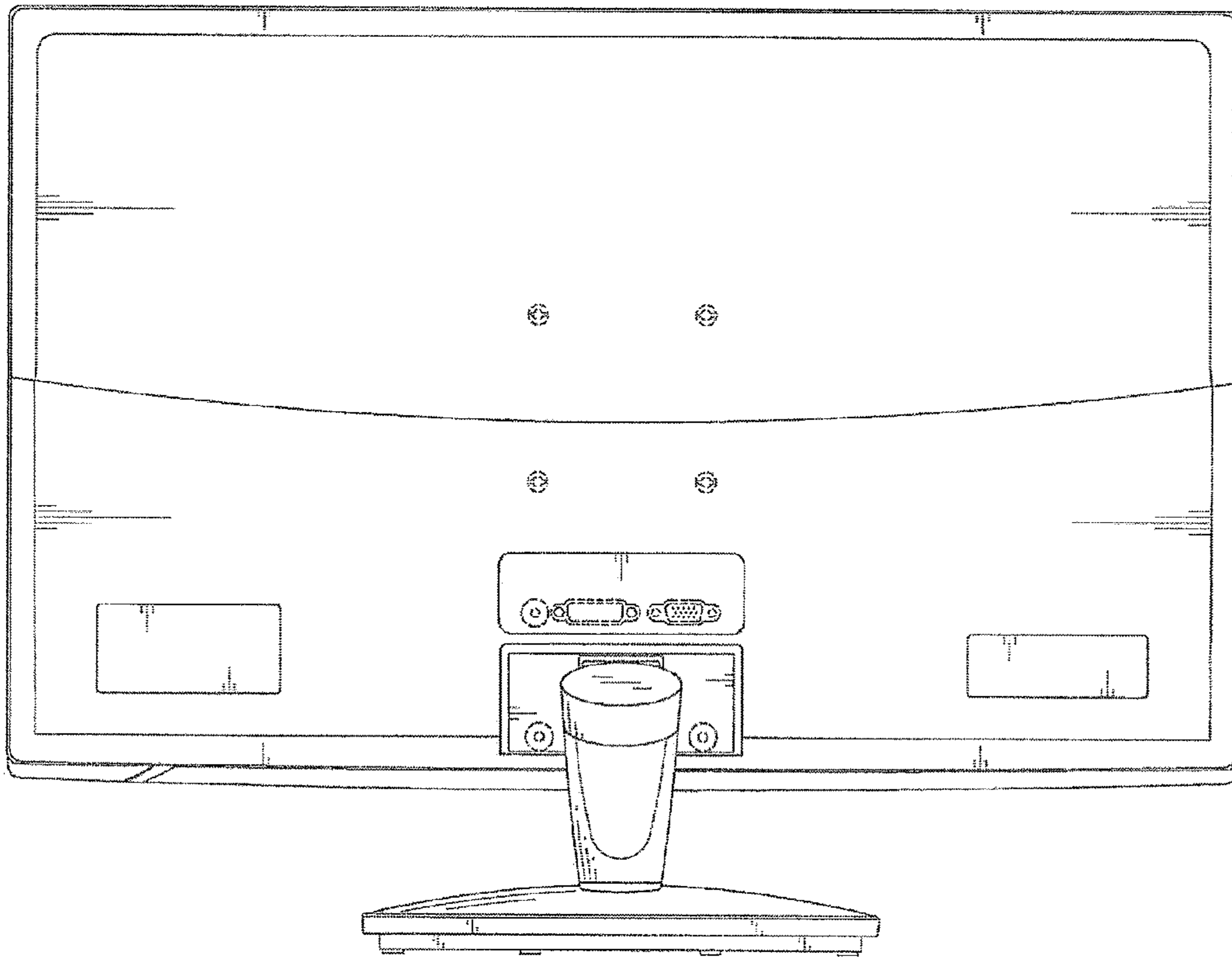


FIG. 4

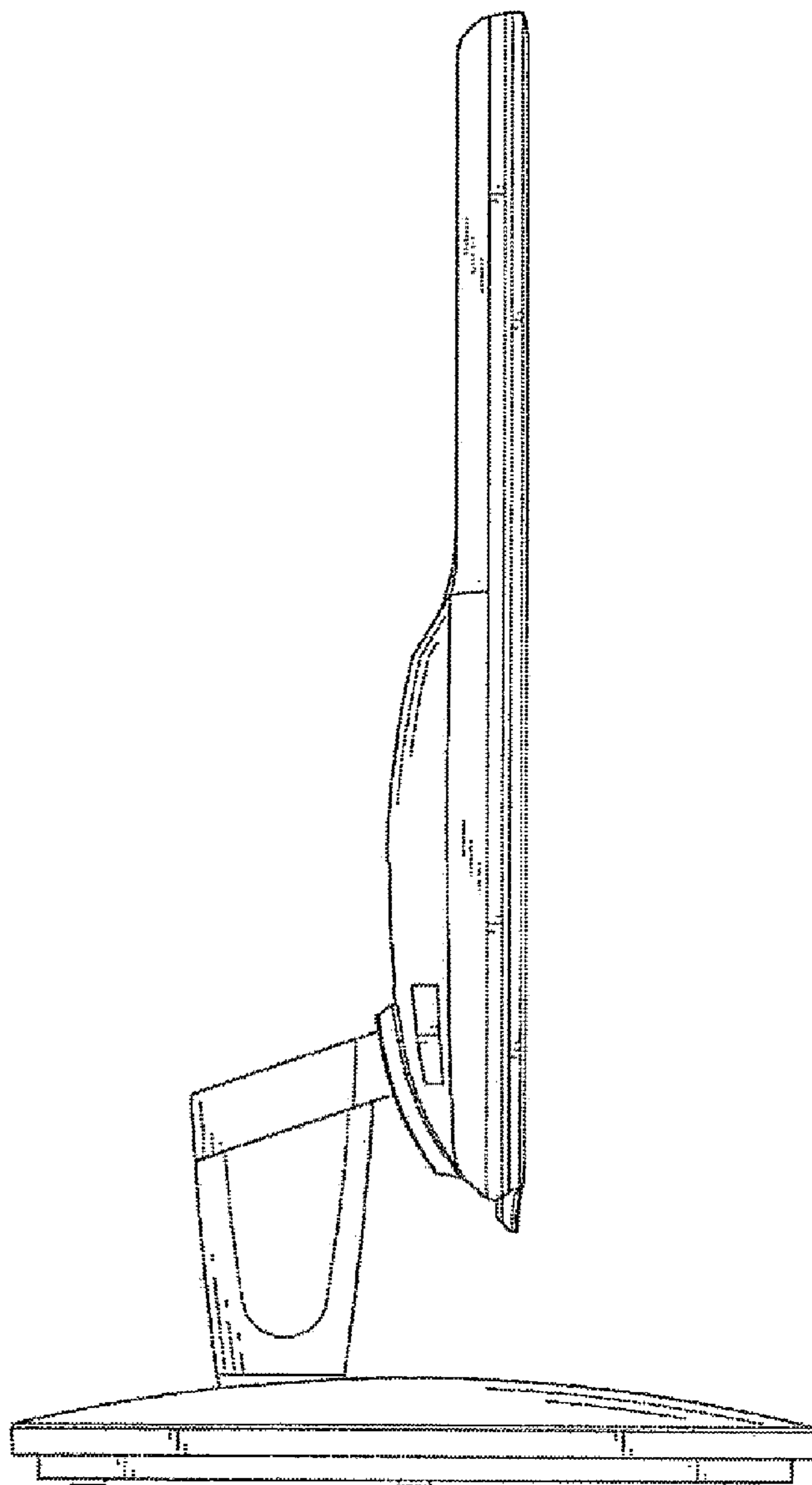


FIG. 5

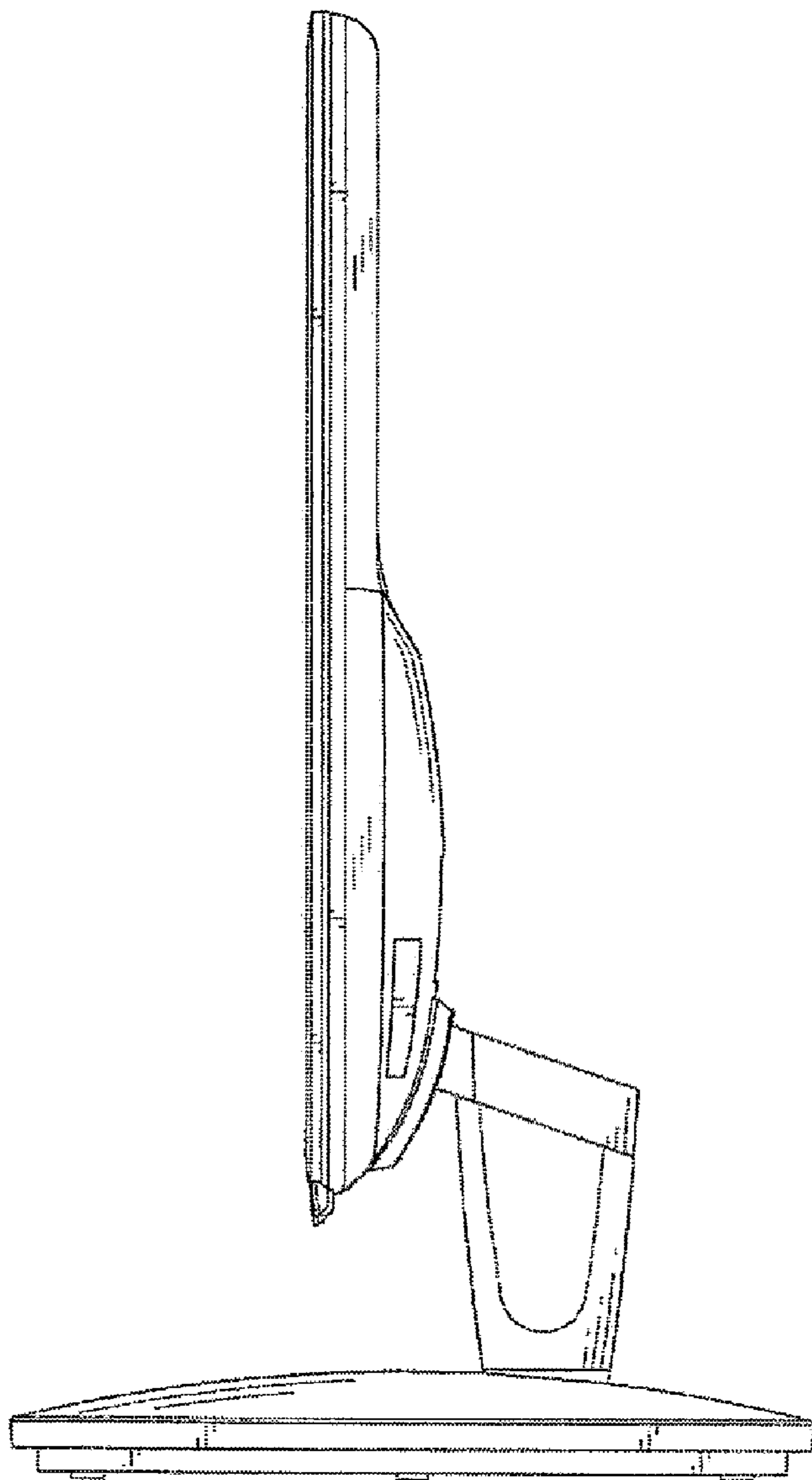


FIG. 6

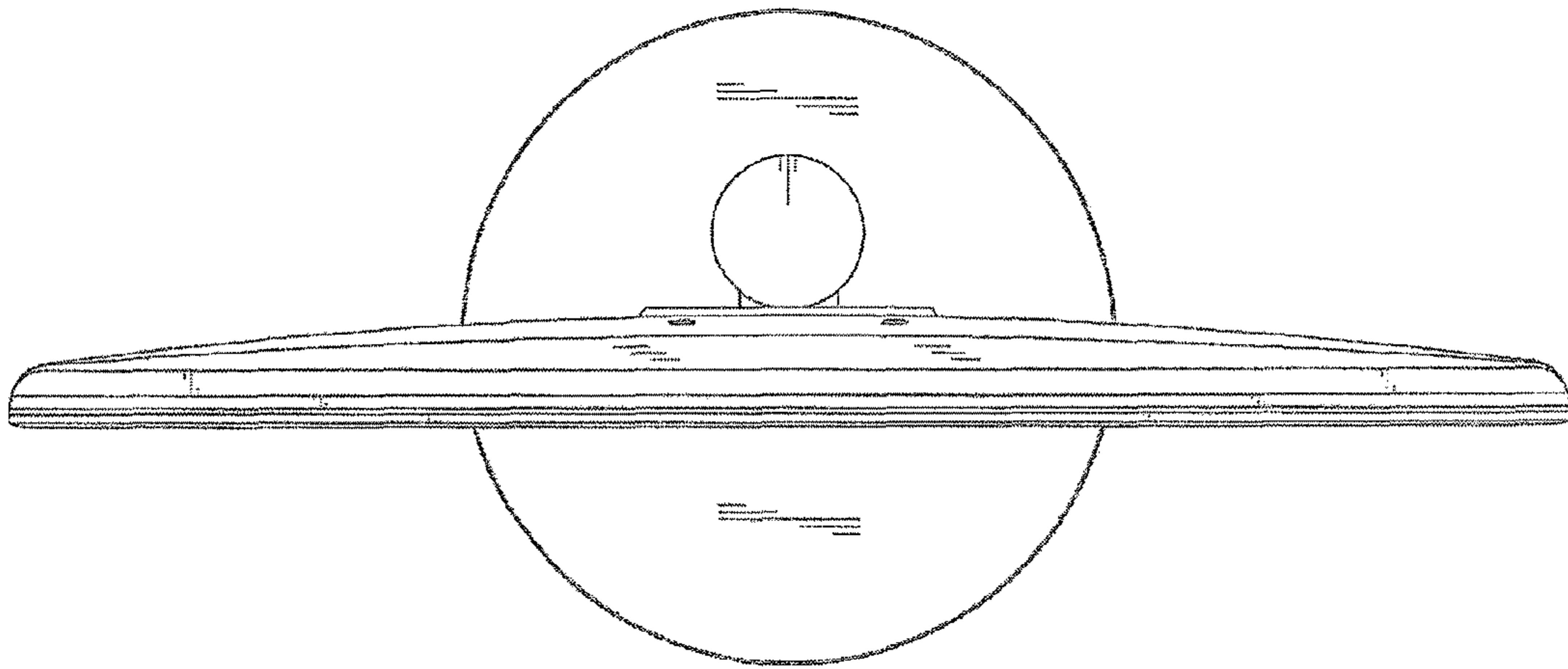


FIG. 7

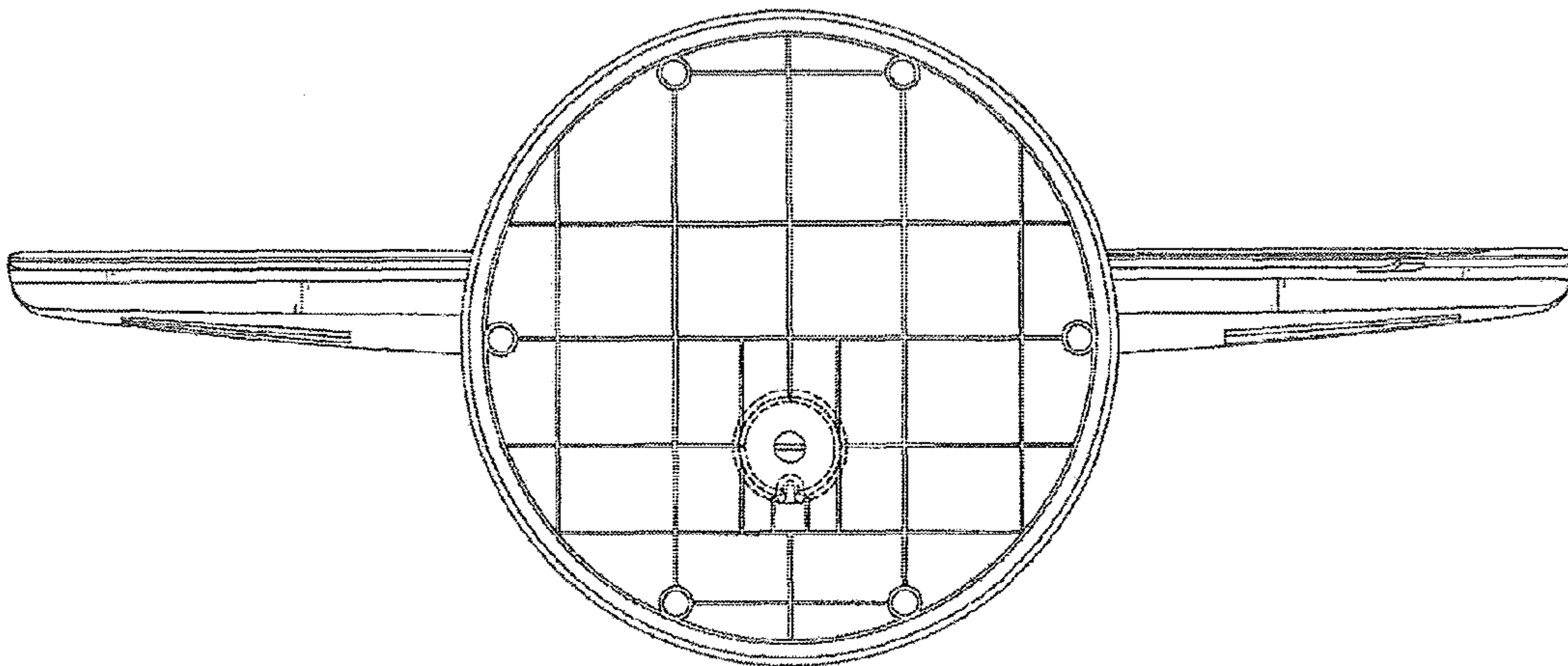


FIG. 8

