



US00D647903S

(12) **United States Design Patent**
McClelland et al.

(10) **Patent No.:** **US D647,903 S**

(45) **Date of Patent:** **** Nov. 1, 2011**

(54) **PORTABLE SERVER MONITOR**

(75) Inventors: **Belgie B. McClelland**, Tomball, TX
(US); **Kevin D. Conn**, Montgomery, TX
(US); **Kelly K. Smith**, Spring, TX (US)

(73) Assignee: **Hewlett-Packard Development
Company, L.P.**, Houston, TX (US)

(**) Term: **14 Years**

(21) Appl. No.: **29/384,498**

(22) Filed: **Jan. 31, 2011**

(51) **LOC (9) Cl.** **14-02**

(52) **U.S. Cl.** **D14/371**

(58) **Field of Classification Search** D14/371-376,
D14/125-129, 336, 337, 341; D6/300, 308;
341/12; 345/104, 156, 173, 174, 901-905;
348/180, 184, 325, 739; 361/679.08, 679.23;
349/1, 2, 11, 58; 248/917-924, 371; 178/18.01
See application file for complete search history.

(56) **References Cited**

U.S. PATENT DOCUMENTS

D333,574 S *	3/1993	Ackeret	D6/300
D465,491 S *	11/2002	Yamada	D14/374
D494,174 S *	8/2004	Hsu Li	D14/374
D560,917 S *	2/2008	Fields	D6/300
D563,806 S *	3/2008	Jeon	D10/65

D574,272 S *	8/2008	Stevens et al.	D10/65
D582,916 S *	12/2008	Wada	D14/371
D596,173 S *	7/2009	Arfin	D14/307
D608,781 S *	1/2010	Wada	D14/371
D613,510 S *	4/2010	Tzeng et al.	D6/308
D629,402 S *	12/2010	Crisp et al.	D14/390
2010/0116560 A1 *	5/2010	Sato	178/18.01

* cited by examiner

Primary Examiner — Freda S Nunn

(57) **CLAIM**

The ornamental design for a “portable server monitor,” as shown and described.

DESCRIPTION

FIG. 1 is a left, front perspective view of a first example portable server monitor.

FIG. 2 is a front view of the monitor of FIG. 1.

FIG. 3 is a top view of the monitor of FIG. 1.

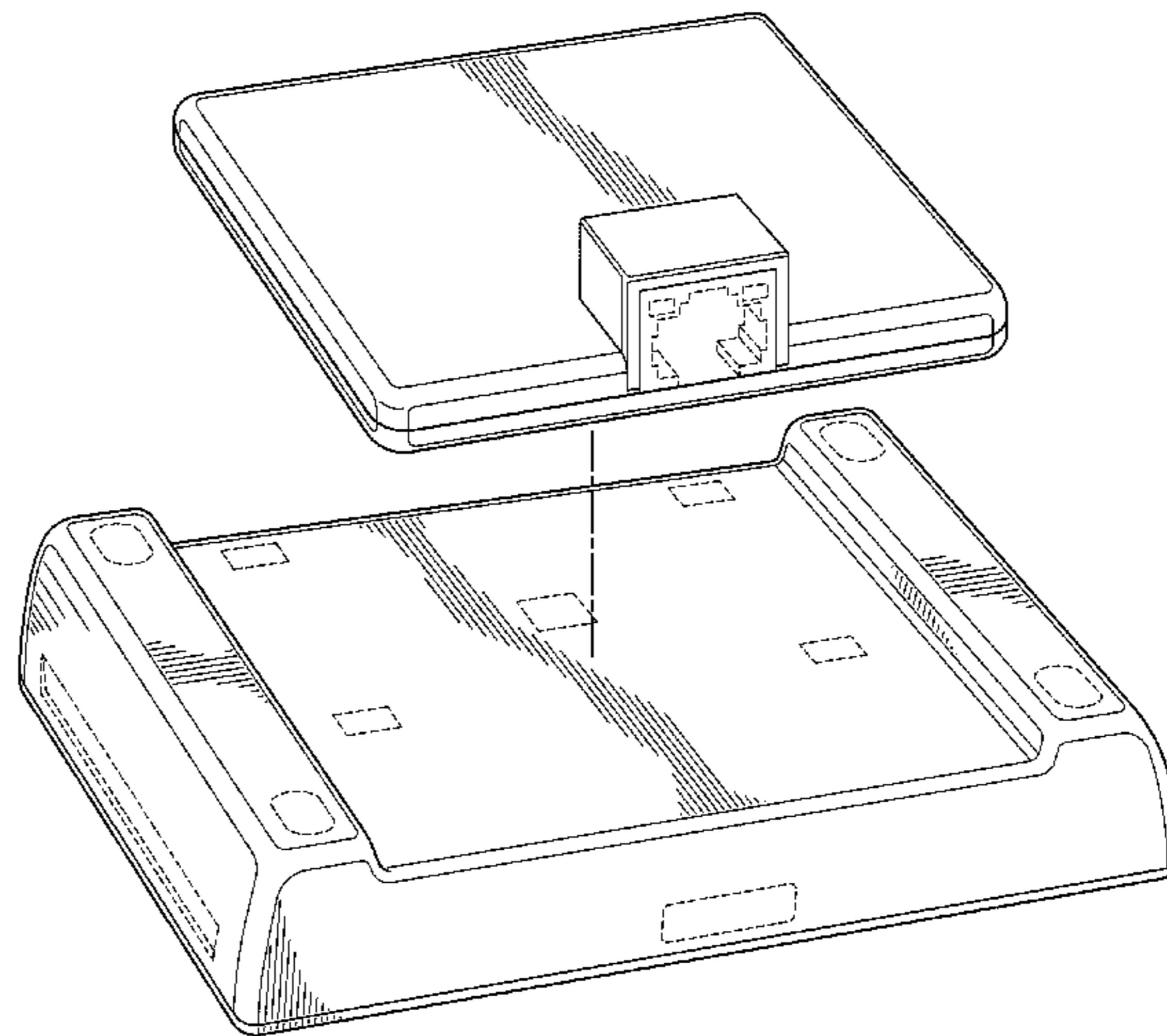
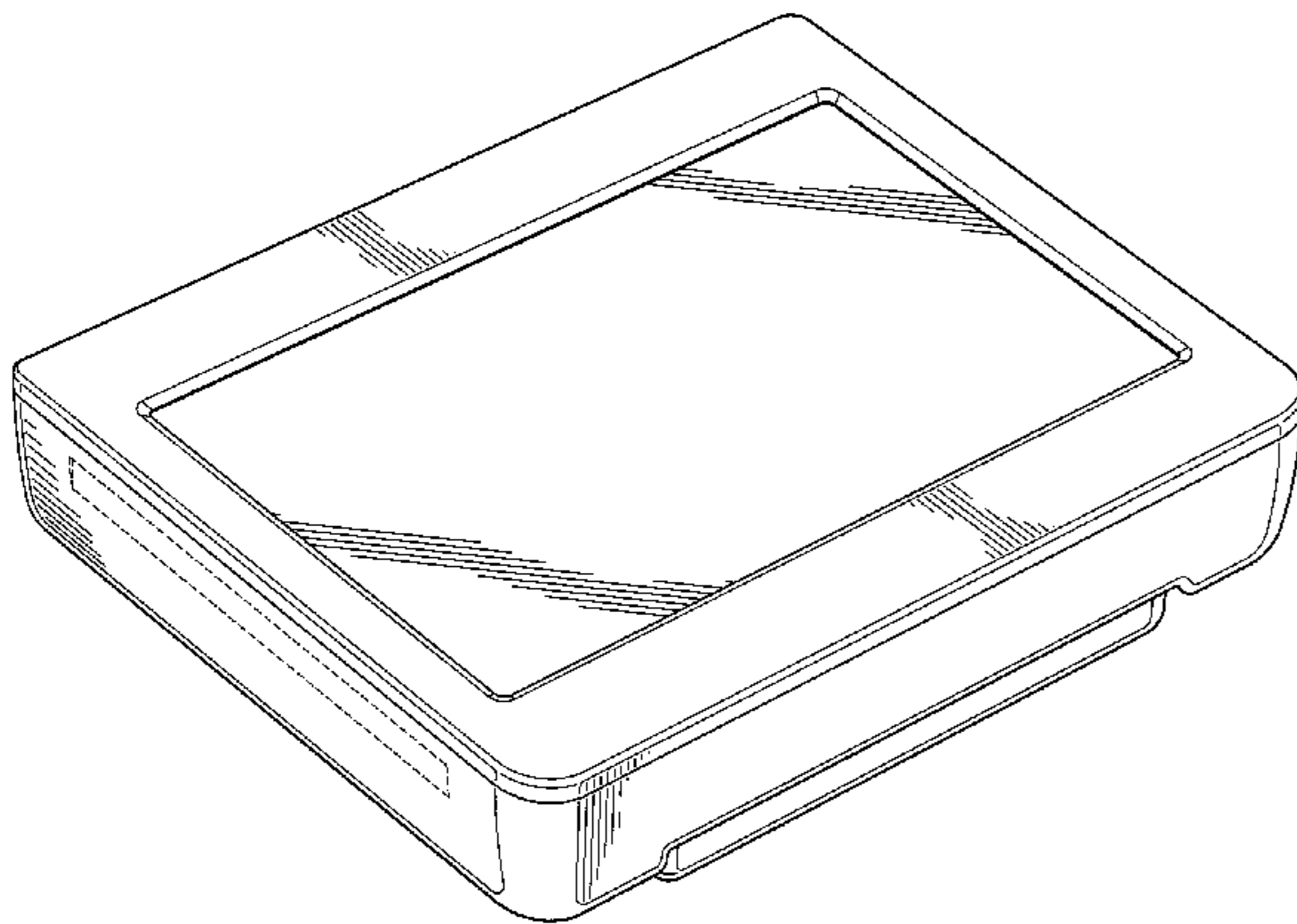
FIG. 4 is a right side view of the monitor of FIG. 1. The left side view of the monitor of FIG. 1 is substantially the same as the right side view of FIG. 4, but in the opposite orientation.

FIG. 5 is a bottom view of the monitor of FIG. 1.

FIG. 6 is a rear perspective view of the monitor of FIG. 1; and, FIG. 7 is a view similar to FIG. 6, but showing the back cover plate removed from the monitor.

The features shown in broken lines are for illustrative purposes only and do not form part of the claimed design.

1 Claim, 5 Drawing Sheets



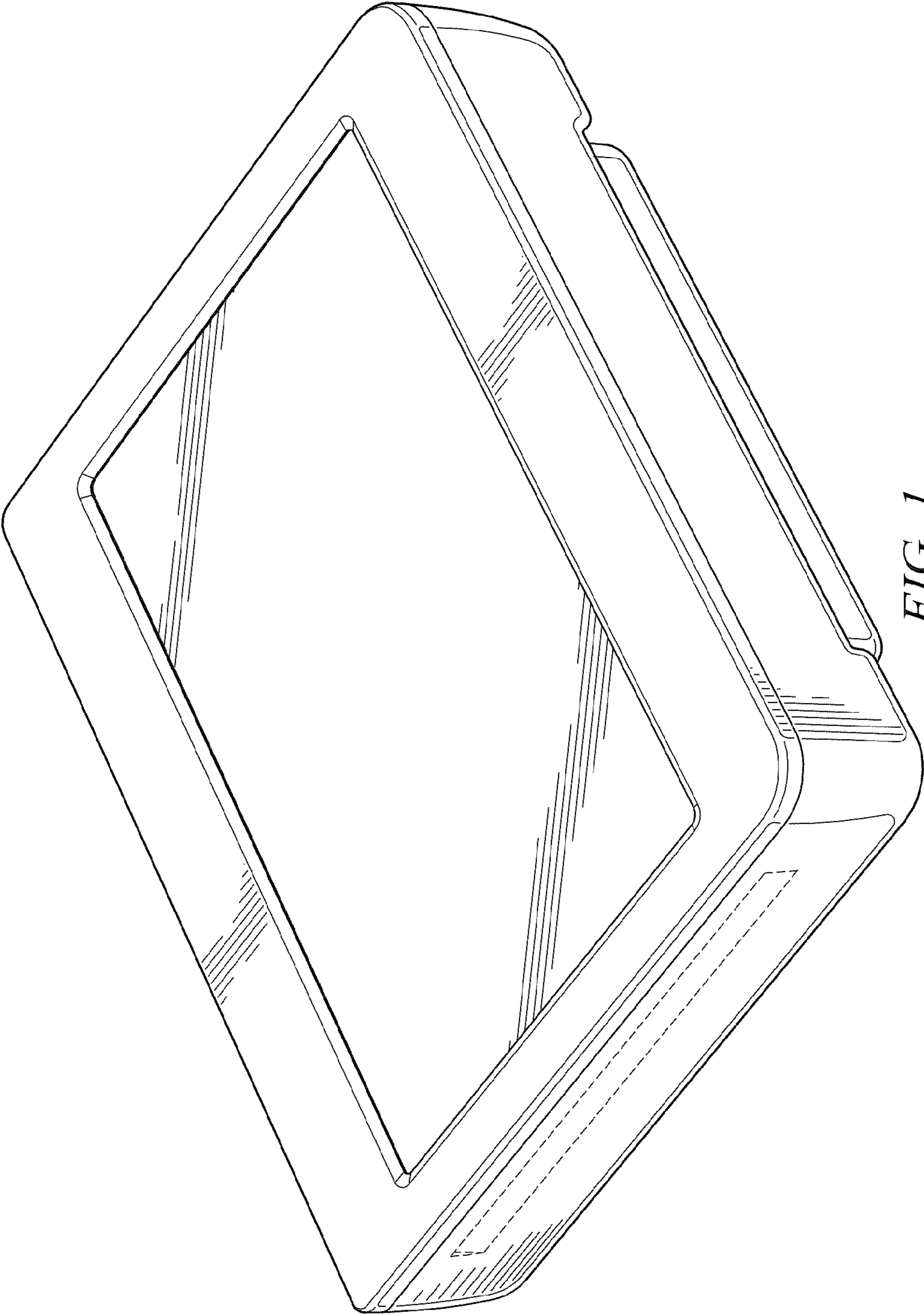


FIG. 1

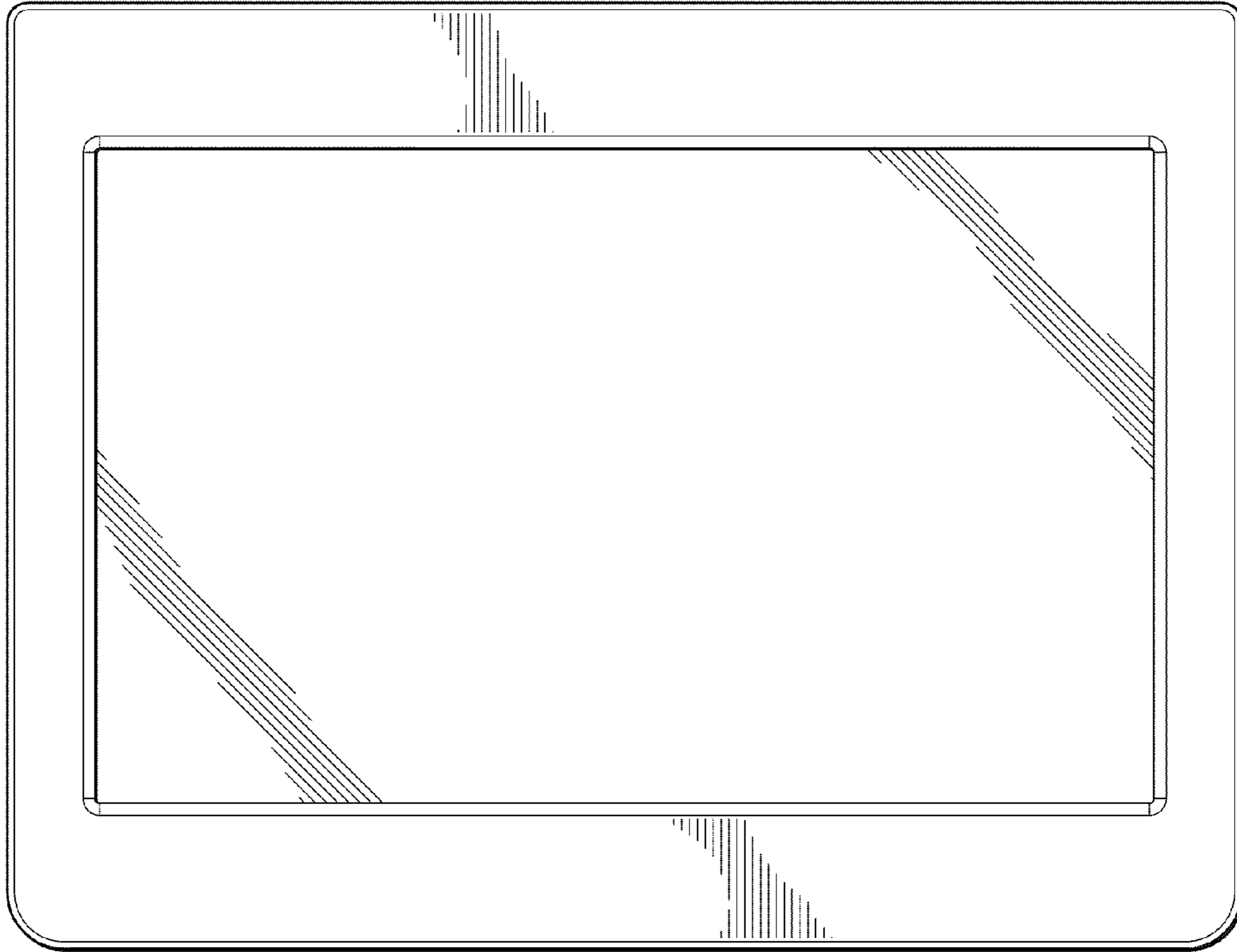


FIG. 2

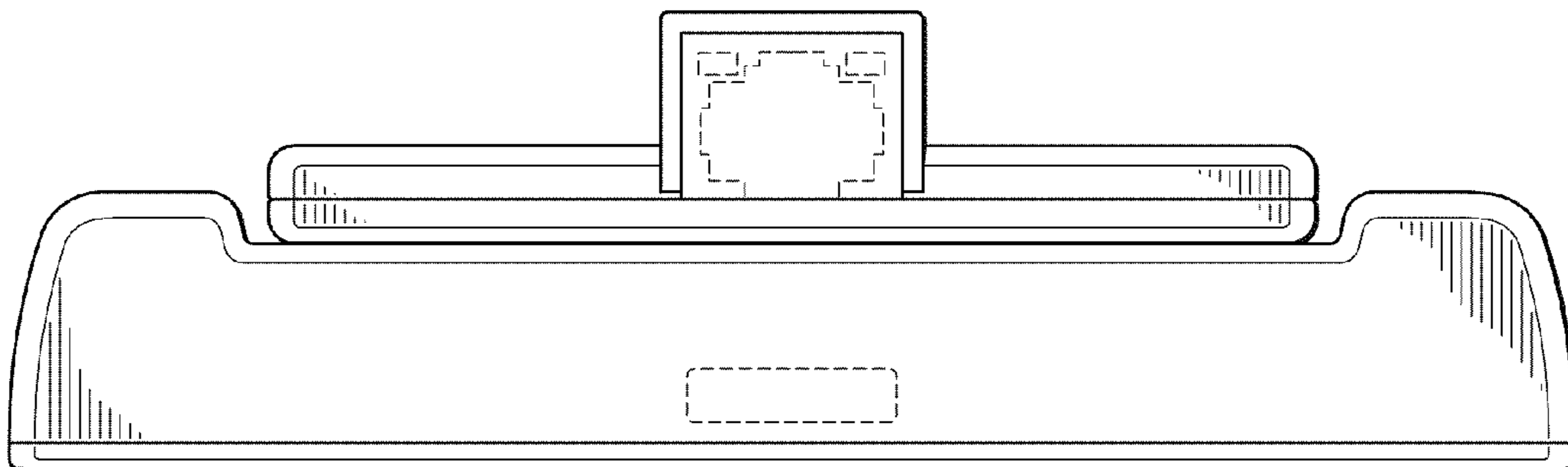


FIG. 3

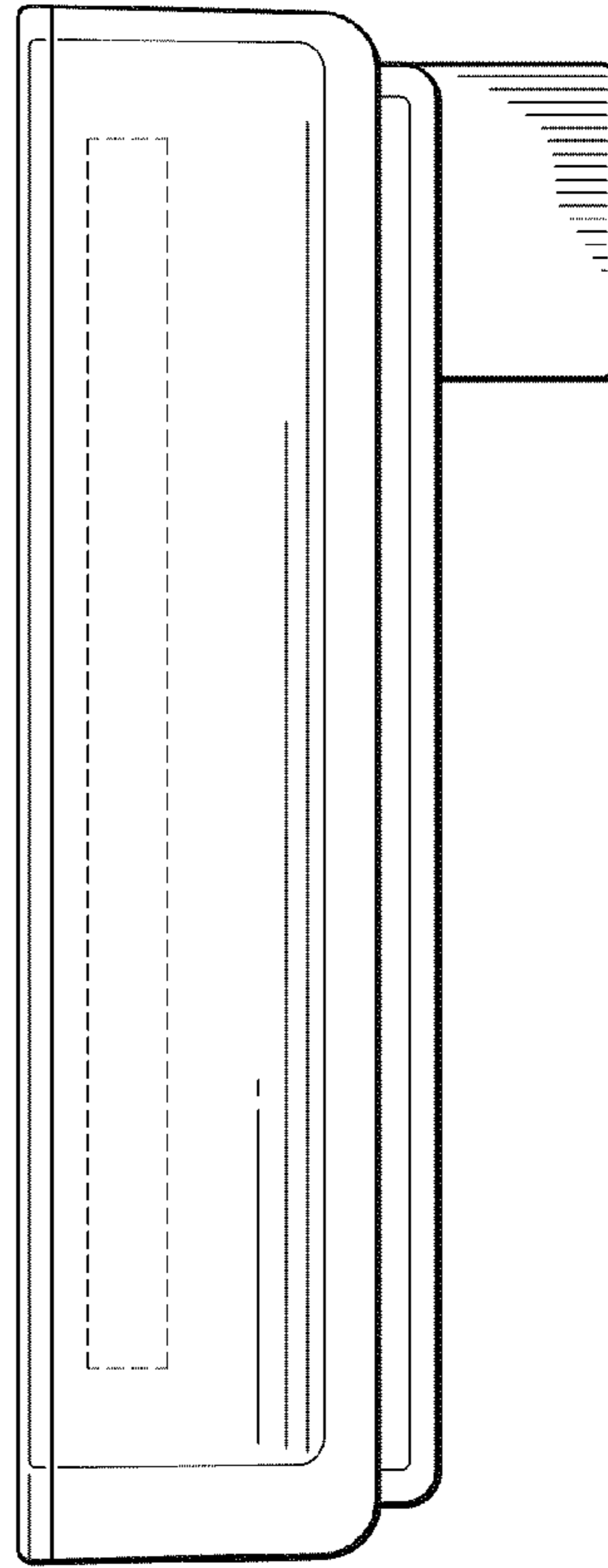


FIG. 4

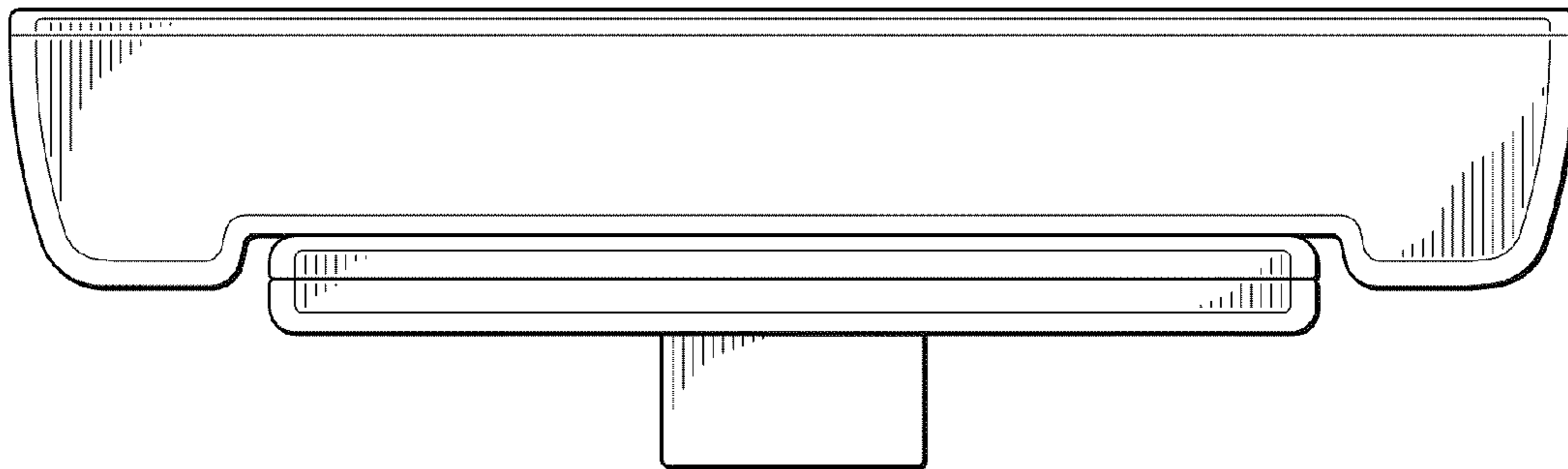


FIG. 5

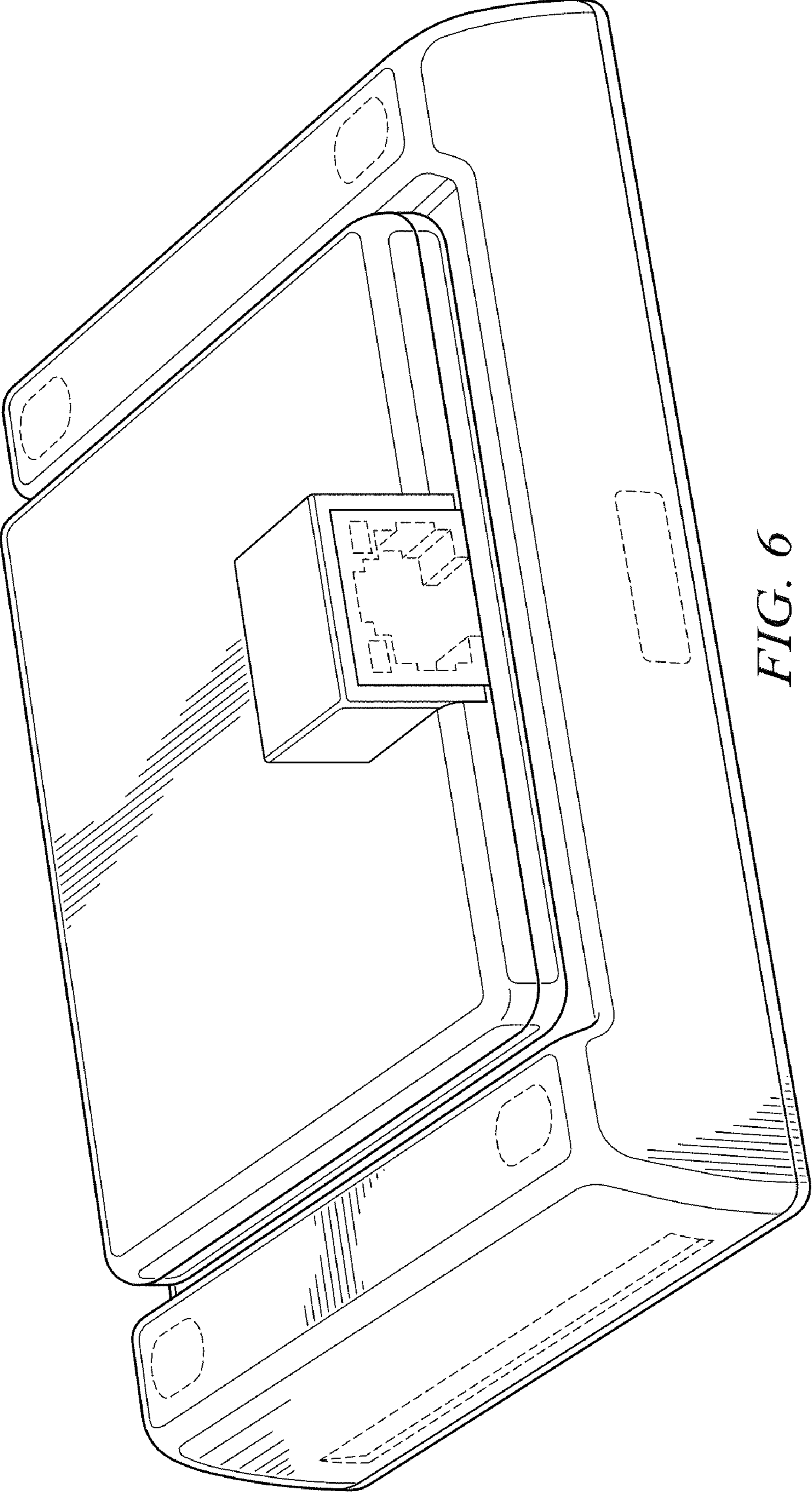


FIG. 6

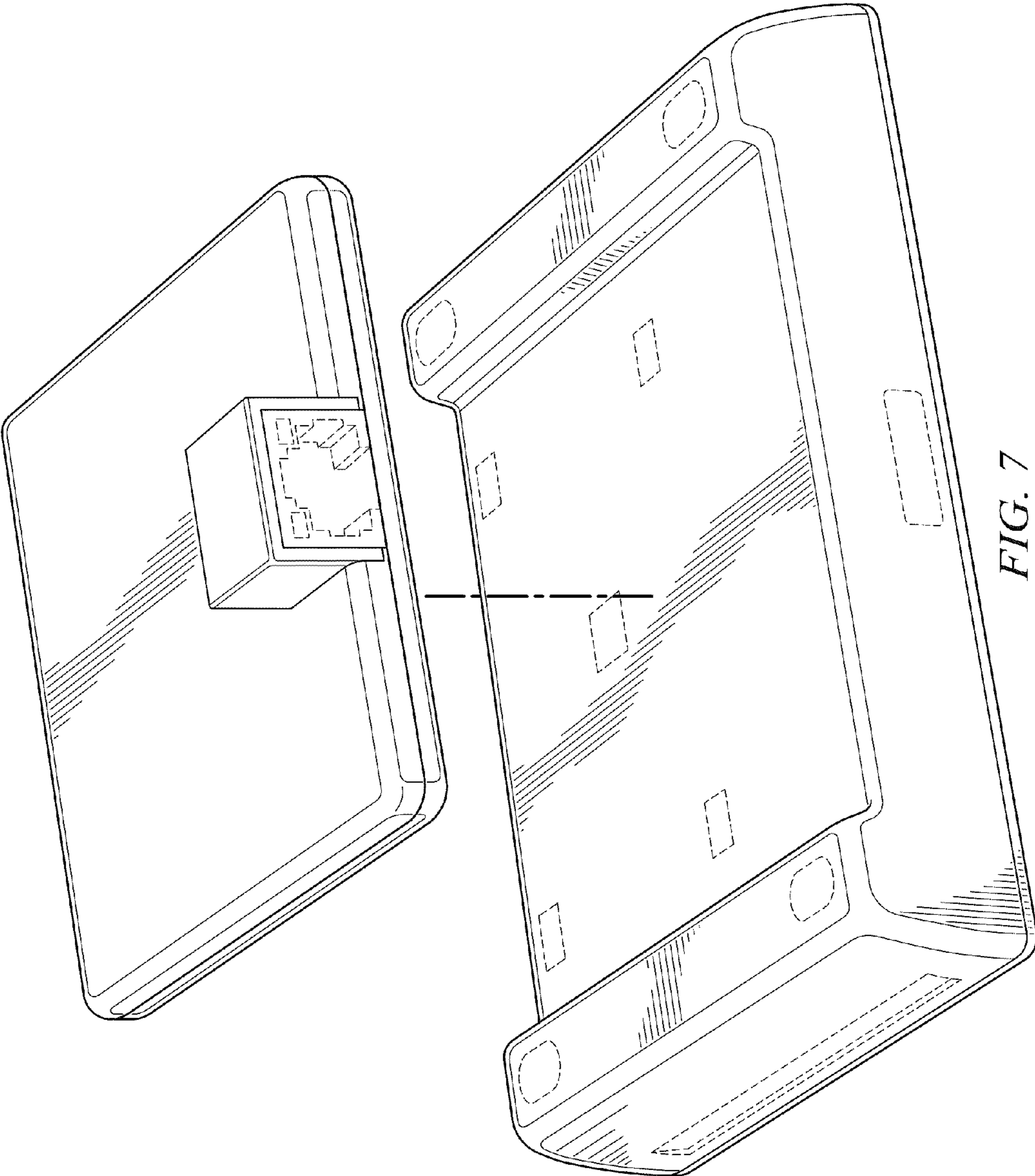


FIG. 7