



US00D647901S

(12) **United States Design Patent**  
**Lin et al.**

(10) **Patent No.:** **US D647,901 S**  
(45) **Date of Patent:** **\*\* Nov. 1, 2011**

(54) **CLOUD COMPUTER**

(75) Inventors: **Chun-Jen Lin**, Taipei Hsien (TW);  
**Mi-Chien Chen**, Taipei Hsien (TW);  
**Lin-Yi Wang**, Shenzhen (CN)

(73) Assignee: **Hon Hai Precision Industry Co., Ltd.**,  
Tu-Cheng, New Taipei (TW)

(\*\*) Term: **14 Years**

(21) Appl. No.: **29/377,656**

(22) Filed: **Oct. 25, 2010**

(51) **LOC (9) Cl.** ..... **14-02**

(52) **U.S. Cl.** ..... **D14/356**

(58) **Field of Classification Search** ..... D14/300-302,  
D14/313, 314, 341, 348-370, 383, 385, 432,  
D14/435, 436, 496, 125, 135, 137, 155, 167,  
D14/168, 230, 231, 233, 235, 237, 240-242,  
D14/299; D3/201, 273; D10/65, 75, 78;  
D13/103, 149, 162, 184, 199; D18/56; 361/679.31,  
361/679.33, 679.4, 752; 711/100, 115  
See application file for complete search history.

(56) **References Cited**

**U.S. PATENT DOCUMENTS**

4,780,603 A \* 10/1988 Hamada ..... 235/492  
D360,413 S \* 7/1995 Kawazoe et al. .... D14/125

5,452,180 A \* 9/1995 Register et al. .... 361/679.44  
D412,494 S \* 8/1999 Tamaki et al. .... D14/314  
5,933,812 A \* 8/1999 Meyer et al. .... 705/15  
6,327,154 B1 \* 12/2001 Gauld et al. .... 361/737  
D456,413 S \* 4/2002 Malson ..... D14/434  
D517,007 S \* 3/2006 Yong-Jian et al. .... D13/108  
D580,917 S \* 11/2008 Hu et al. .... D14/230  
7,667,983 B2 \* 2/2010 Wang ..... 361/807  
D626,867 S \* 11/2010 Kuramoto ..... D10/65

\* cited by examiner

*Primary Examiner* — Karen E Kearney

(74) *Attorney, Agent, or Firm* — Altis Law Group, Inc.

(57) **CLAIM**

The ornamental design for a cloud computer, as shown and described.

**DESCRIPTION**

FIG. 1 is a perspective view of a cloud computer showing our new design;

FIG. 2 is a front elevational view thereof;

FIG. 3 is a rear elevational view thereof;

FIG. 4 is a left-side elevational view thereof;

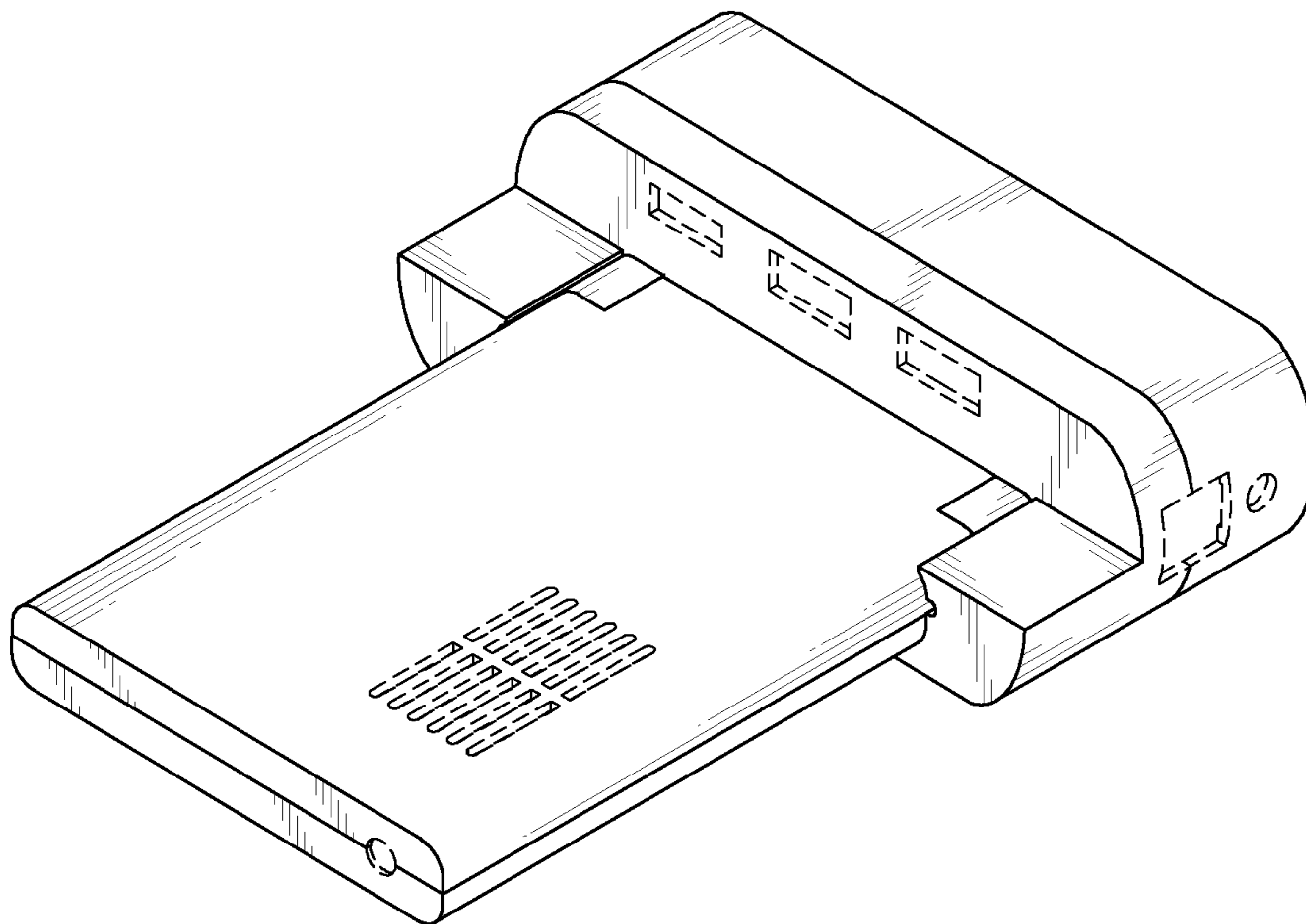
FIG. 5 is a right-side elevational view thereof;

FIG. 6 is a top plan view thereof; and,

FIG. 7 is a bottom plan view thereof.

The broken line showings are for the purpose of illustrating unclaimed portions of the cloud computer and form no part of the claimed design.

**1 Claim, 7 Drawing Sheets**



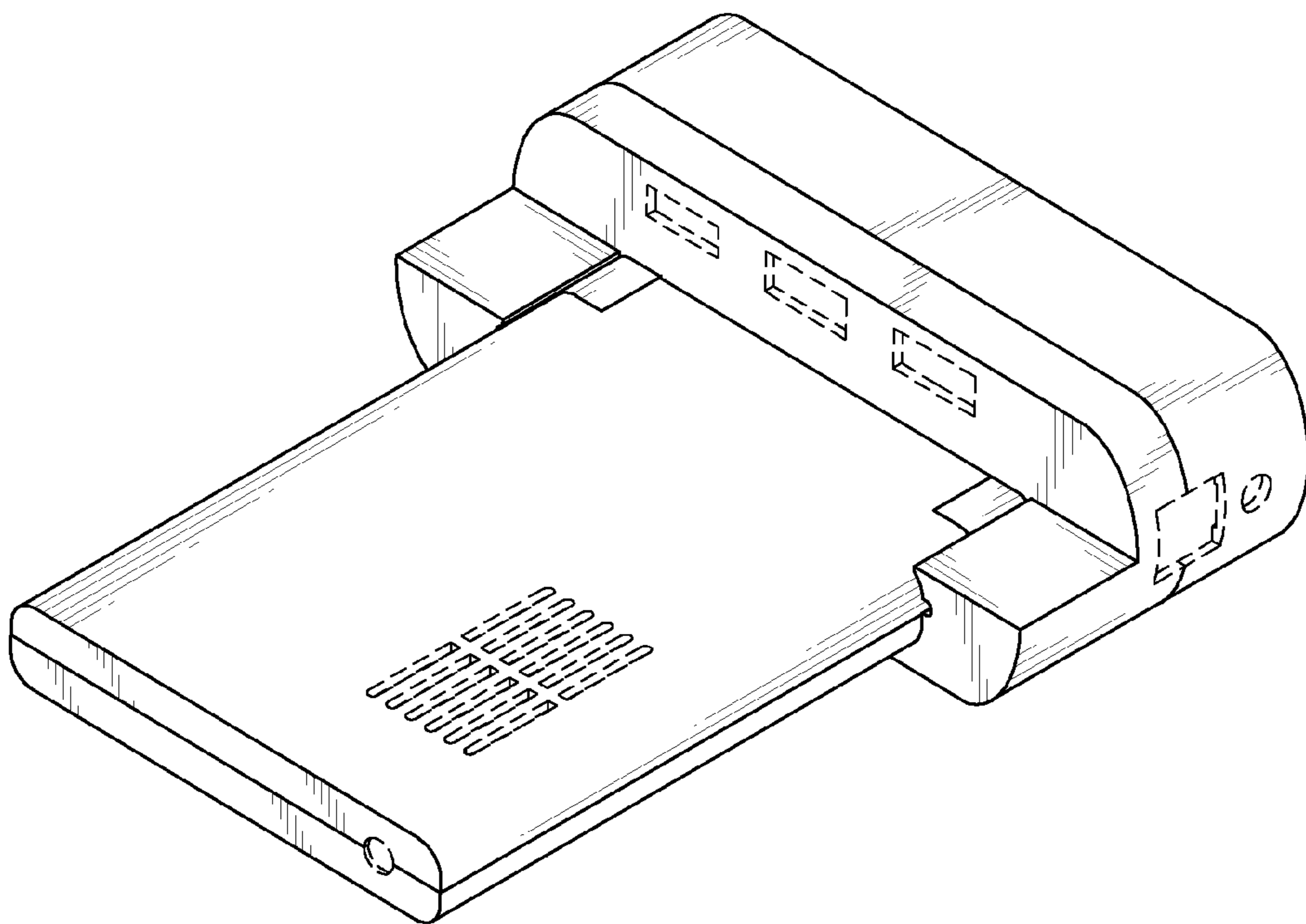


FIG. 1

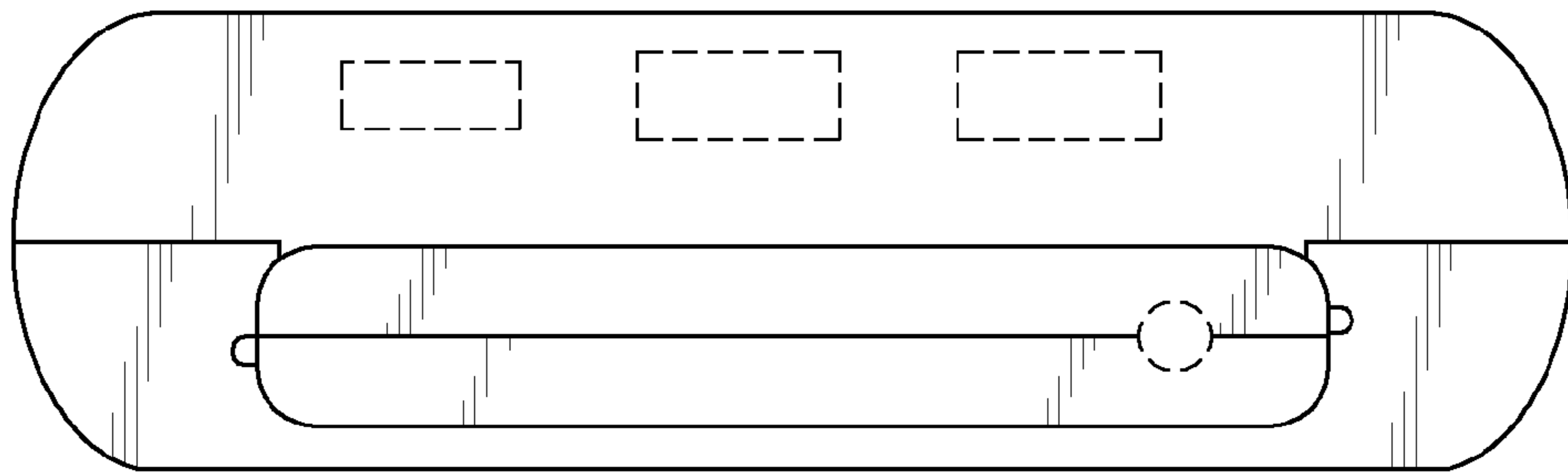


FIG. 2

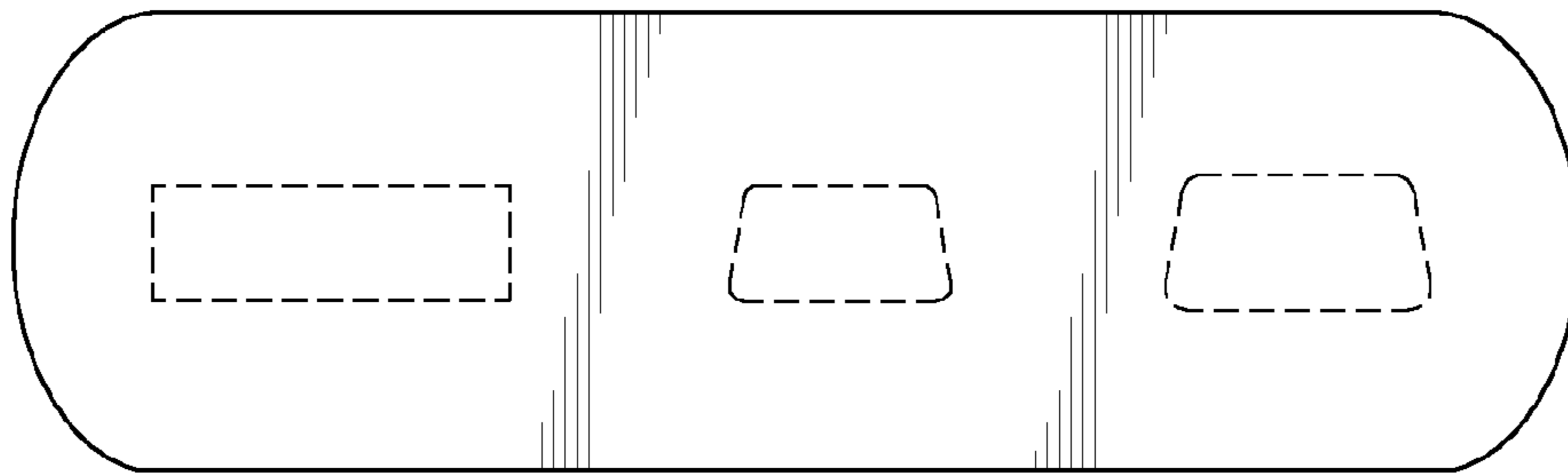


FIG. 3

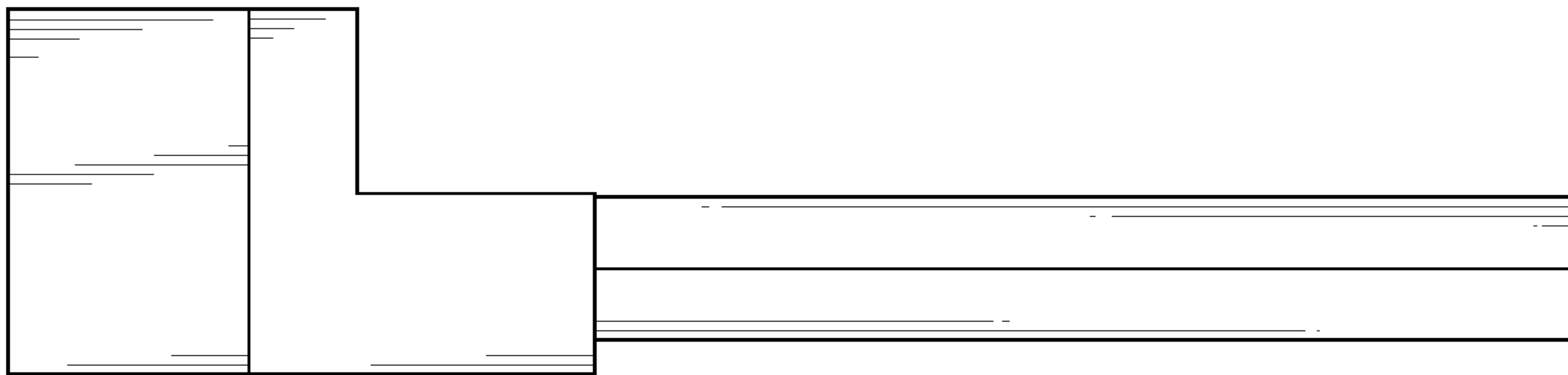


FIG. 4

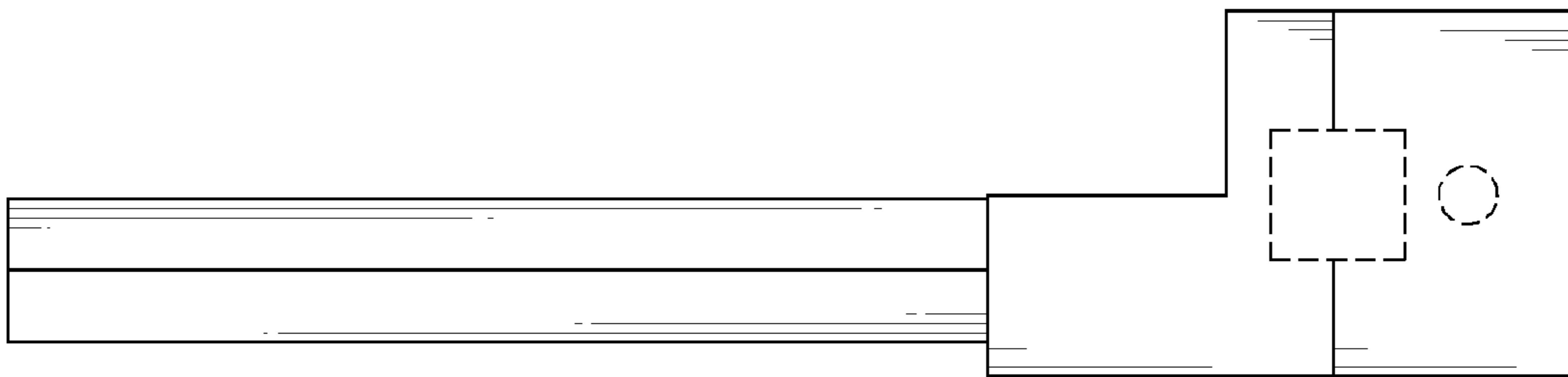


FIG. 5

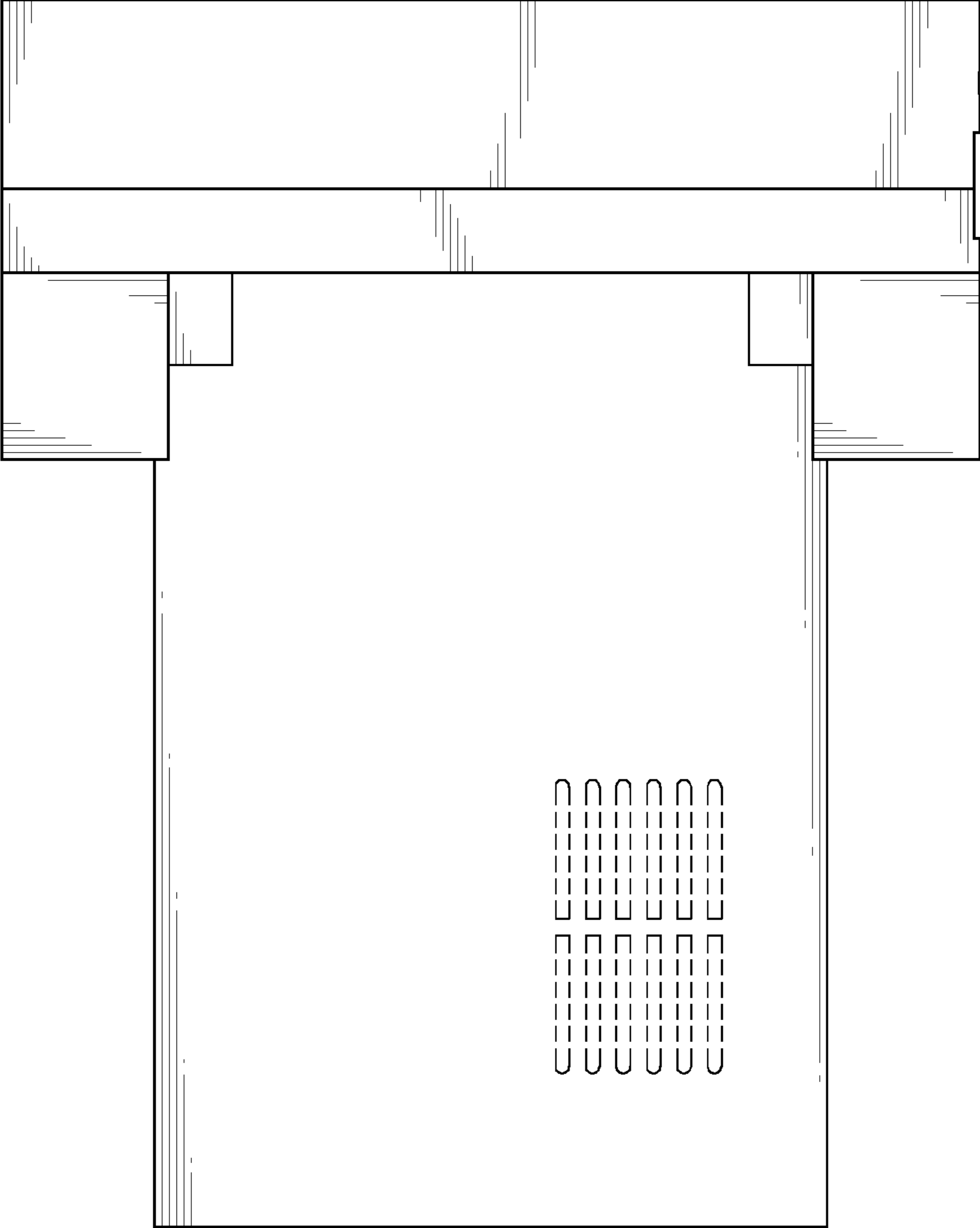


FIG. 6

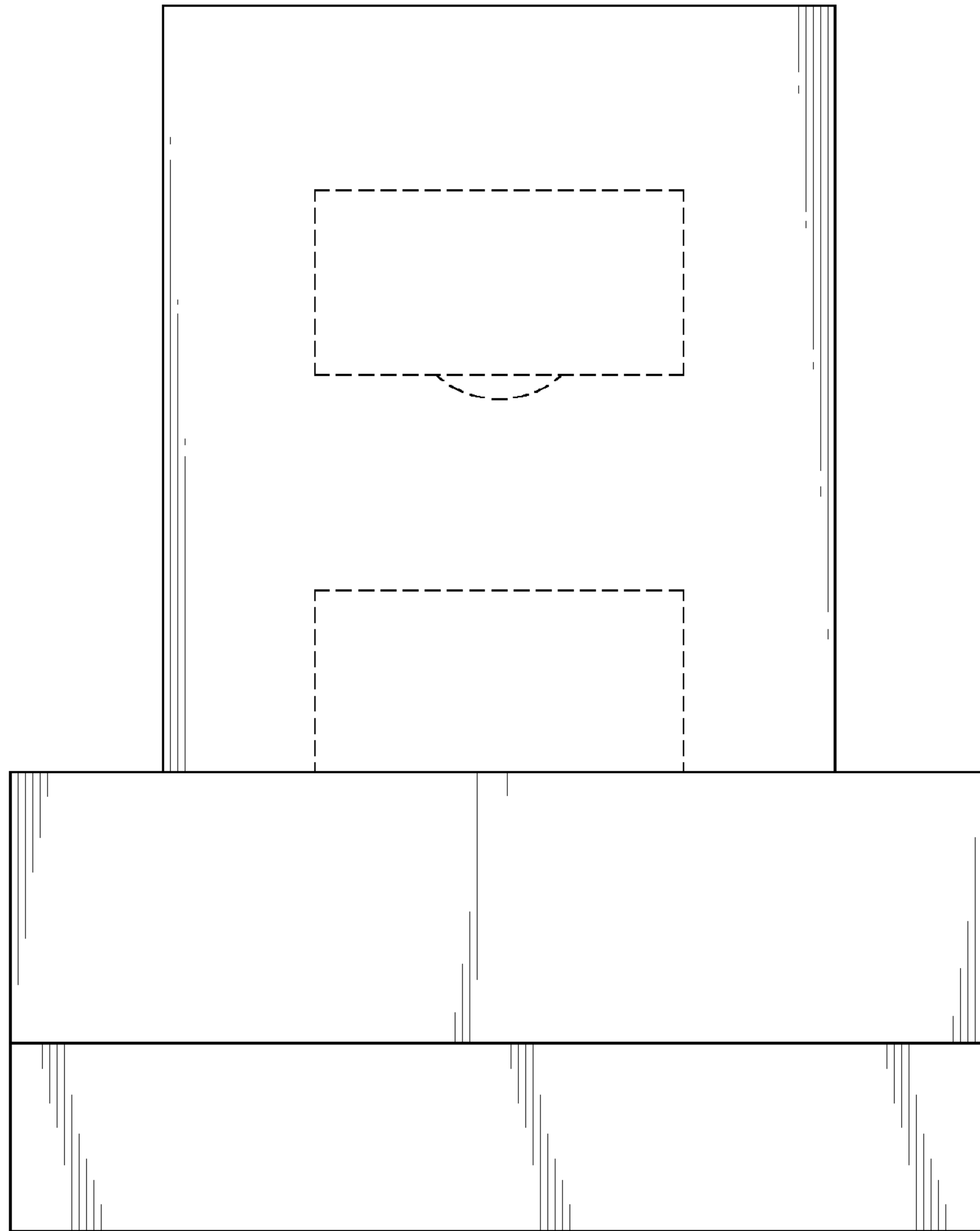


FIG. 7