



US00D647898S

(12) **United States Design Patent**  
**Haller et al.**

(10) **Patent No.:** **US D647,898 S**

(45) **Date of Patent:** **\*\* Nov. 1, 2011**

(54) **TOUCH COMPUTER**

(75) Inventors: **Jeffrey T. Haller**, Redwood City, CA (US); **Gadi Amit**, San Mateo, CA (US); **Jacqueline Lee Belleau**, San Francisco, CA (US); **Julien Alex Claude Rouillac**, San Francisco, CA (US)

(73) Assignee: **Tyco Electronics Corporation**, Berwyn, PA (US)

(\*\*) Term: **14 Years**

(21) Appl. No.: **29/386,590**

(22) Filed: **Mar. 2, 2011**

(51) **LOC (9) Cl.** ..... **14-02**

(52) **U.S. Cl.** ..... **D14/336**

(58) **Field of Classification Search** ..... D14/371-376,  
D14/125-129, 336, 337; 248/917-924, 278.1;  
345/104, 156, 173, 174, 901-905; 348/180,  
348/184, 325, 739, 836; 361/679.01, 679.02,  
361/679.21-679.25; 349/1, 2, 11, 58

See application file for complete search history.

(56) **References Cited**

**U.S. PATENT DOCUMENTS**

D428,415 S *	7/2000	Shibata	.....	D14/356
D432,101 S *	10/2000	Oba	.....	D14/126
D433,021 S *	10/2000	Shibata	.....	D14/356
D504,426 S *	4/2005	Shoda et al.	.....	D14/336
D540,789 S *	4/2007	Sagen et al.	.....	D14/336
D541,278 S *	4/2007	Hsu et al.	.....	D14/375
D587,712 S *	3/2009	Park et al.	.....	D14/375

**OTHER PUBLICATIONS**

European Community Registration No. 001160097-0003, registered Aug. 17, 2009 in the name of Tyco Electronics Corporation.

\* cited by examiner

*Primary Examiner* — Freda S Nunn

(57) **CLAIM**

We claim the ornamental design for a touch computer, as shown and described.

**DESCRIPTION**

FIG. 1 is a front perspective view of a touch computer according to a first embodiment of the present invention;

FIG. 2 is a front view thereof;

FIG. 3 is a top view thereof;

FIG. 4 is a rear view thereof;

FIG. 5 is a rear perspective view thereof;

FIG. 6 is a left side view thereof;

FIG. 7 is a right side view thereof;

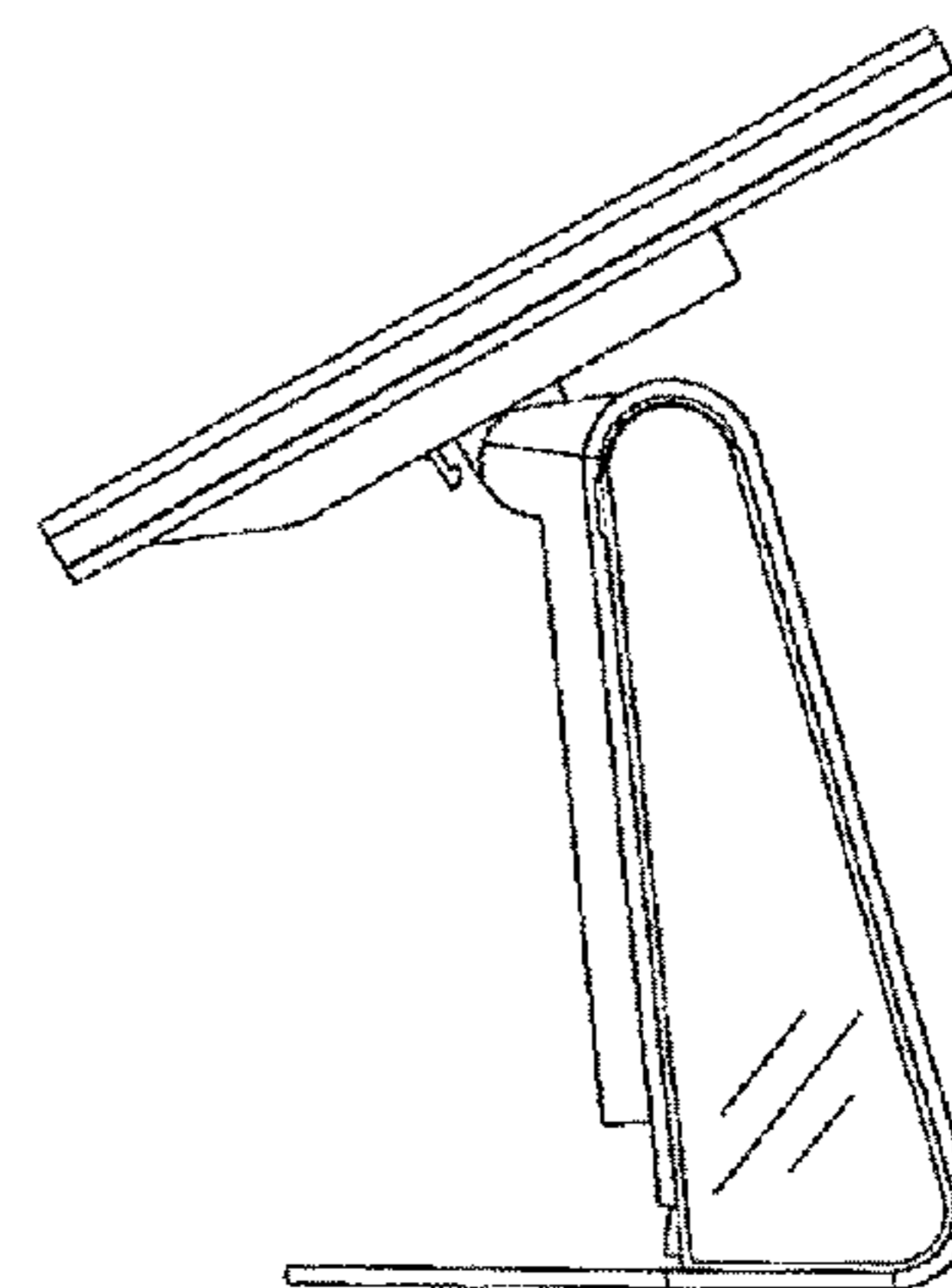
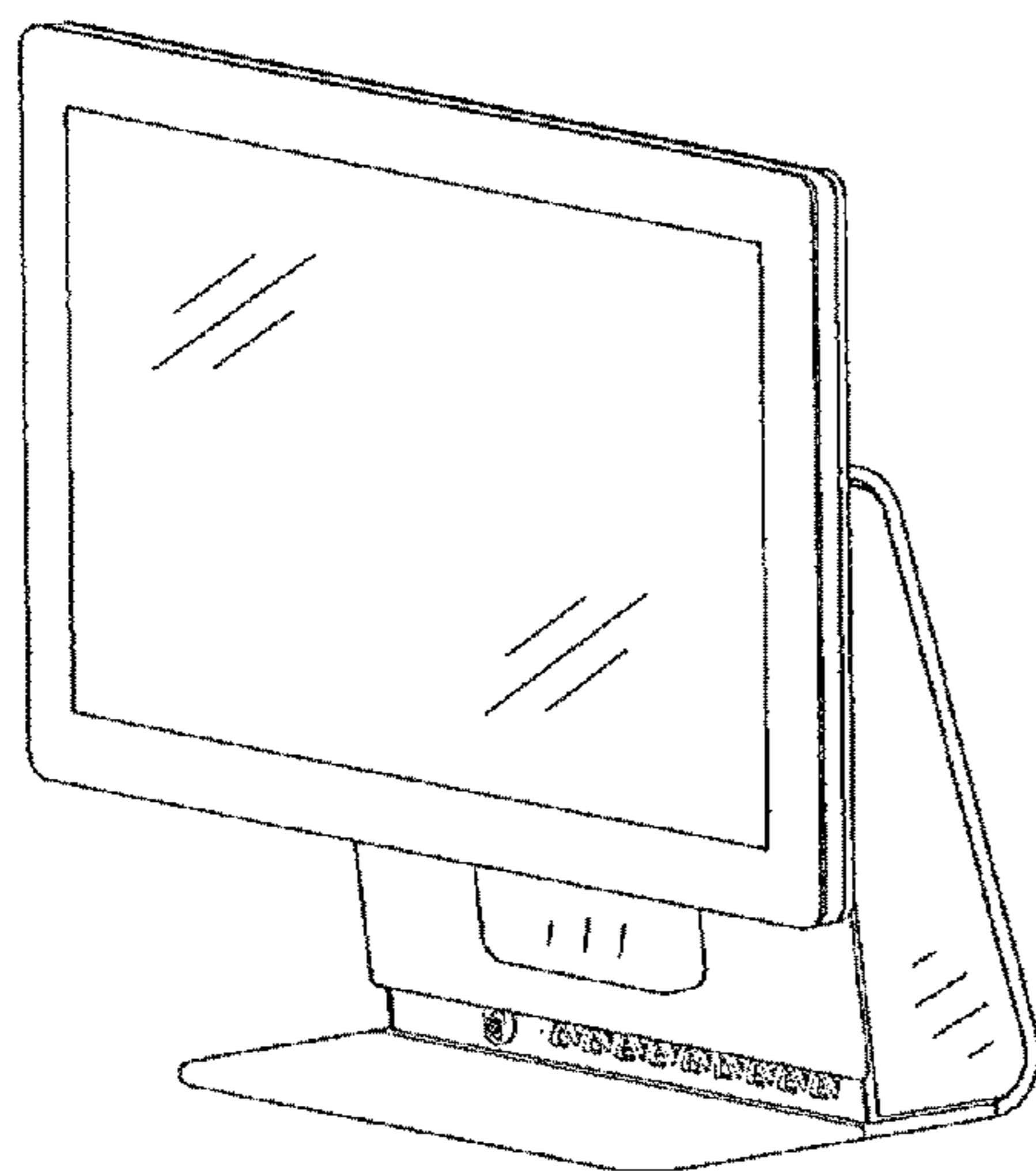
FIG. 8 is a right side view thereof, with the monitor portion swiveled in a forward tilted position;

FIG. 9 is a right side view thereof, with the monitor portion swiveled in a backward tilted position;

FIG. 10 is a right side view of a touch computer, according to a second embodiment of the present invention, shown as wall-mounted; and,

FIG. 11 is a front perspective view of a touch computer (with a base portion as shown in the first embodiment removed) thereof.

**1 Claim, 4 Drawing Sheets**



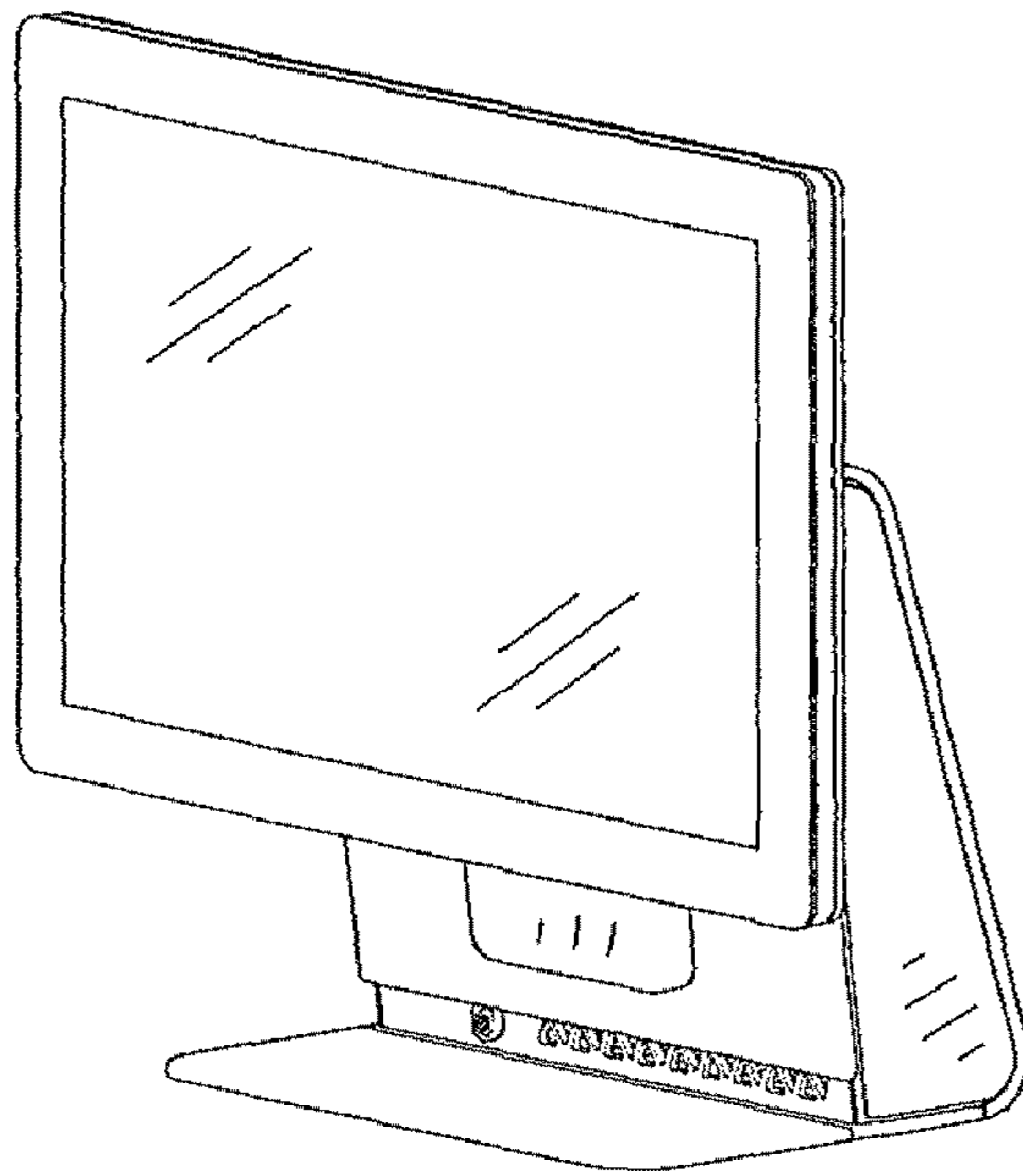


FIG. 1

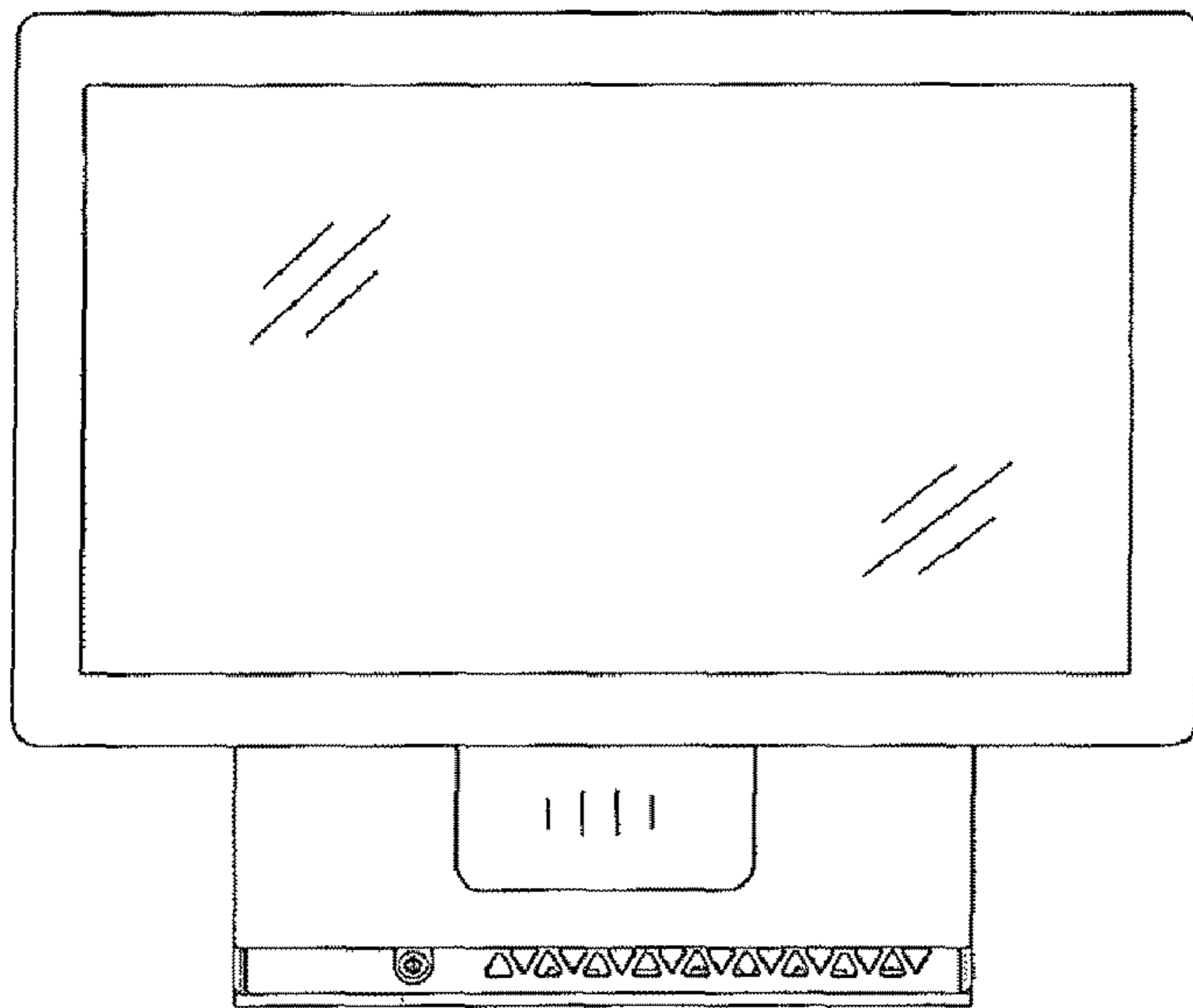


FIG. 2

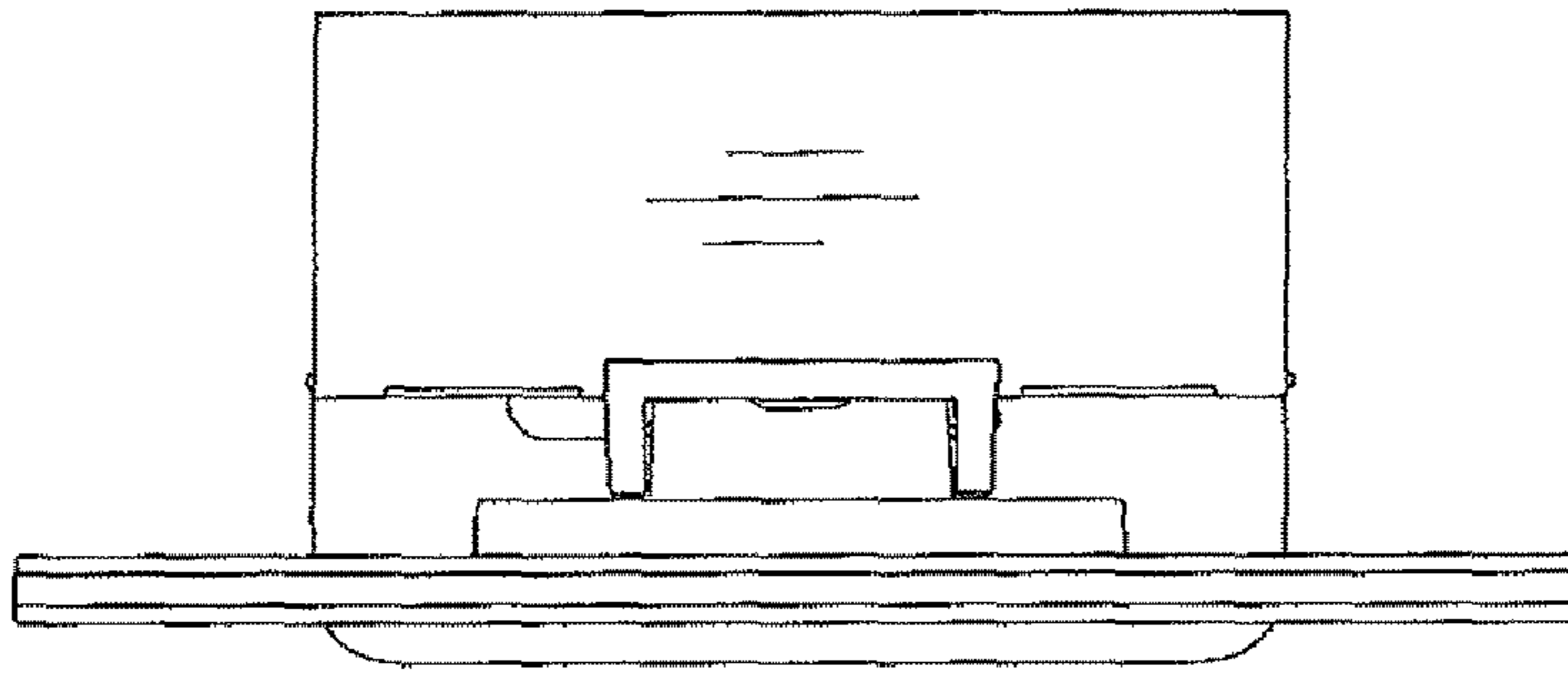


FIG. 3

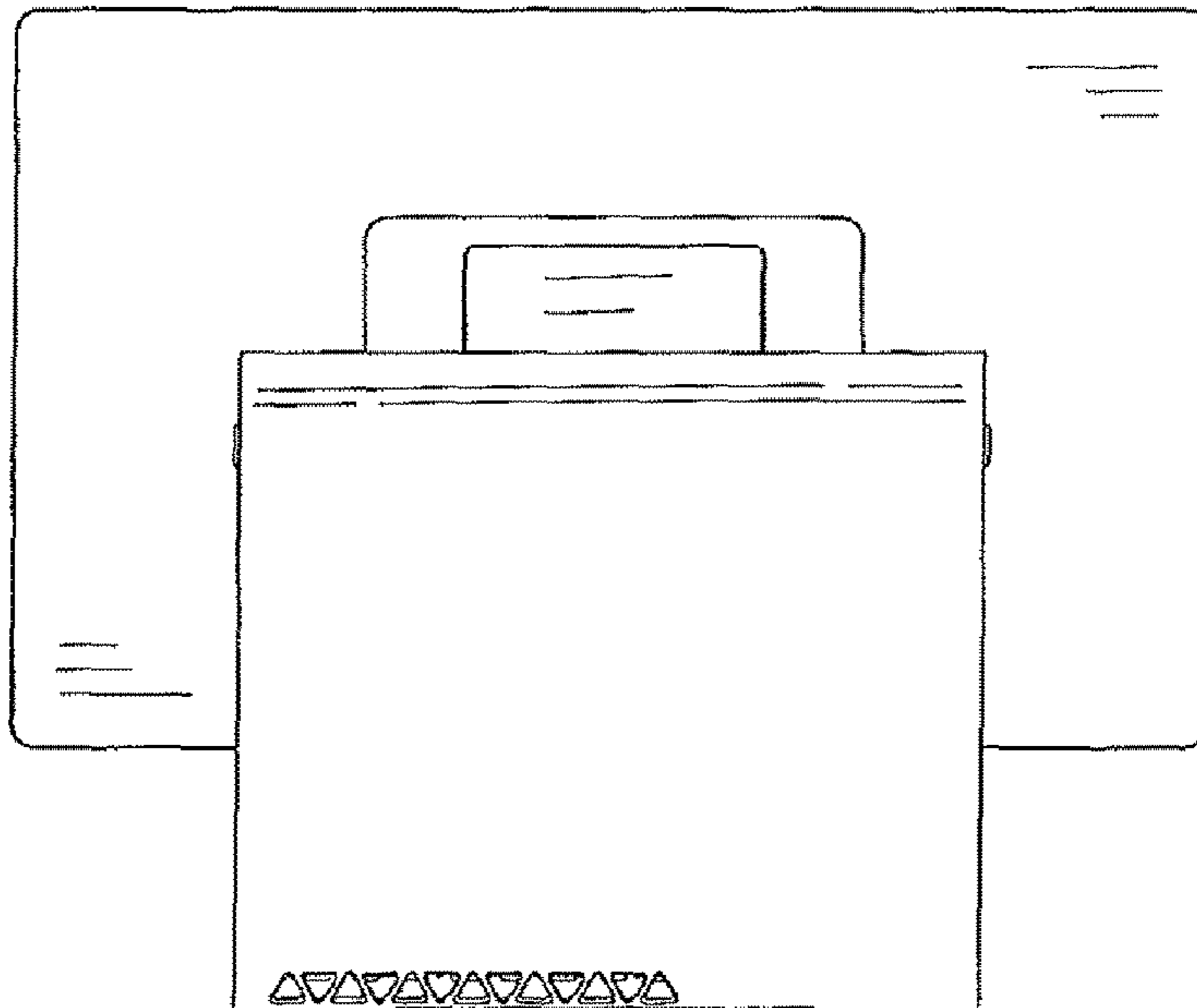


FIG. 4

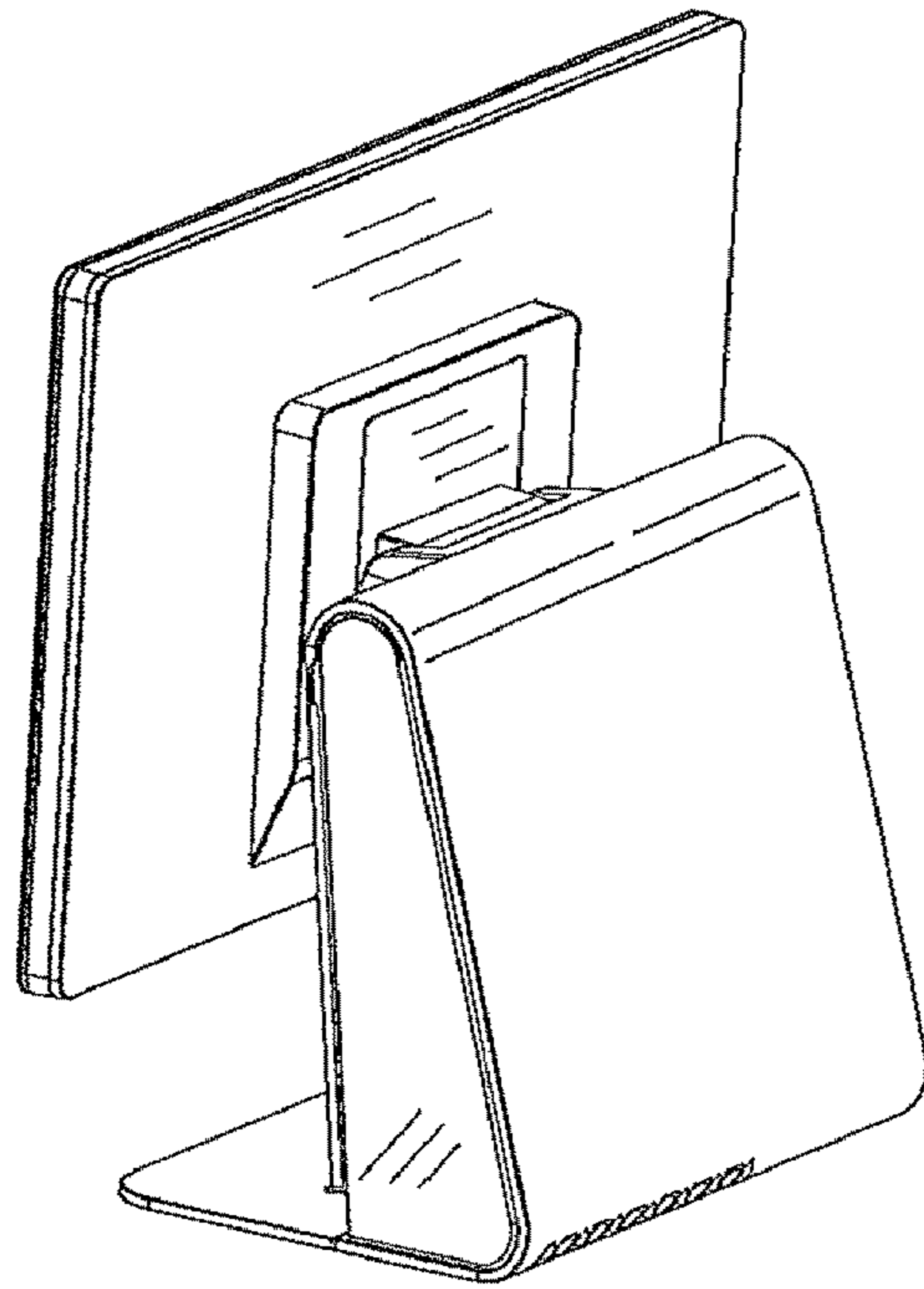


FIG. 5

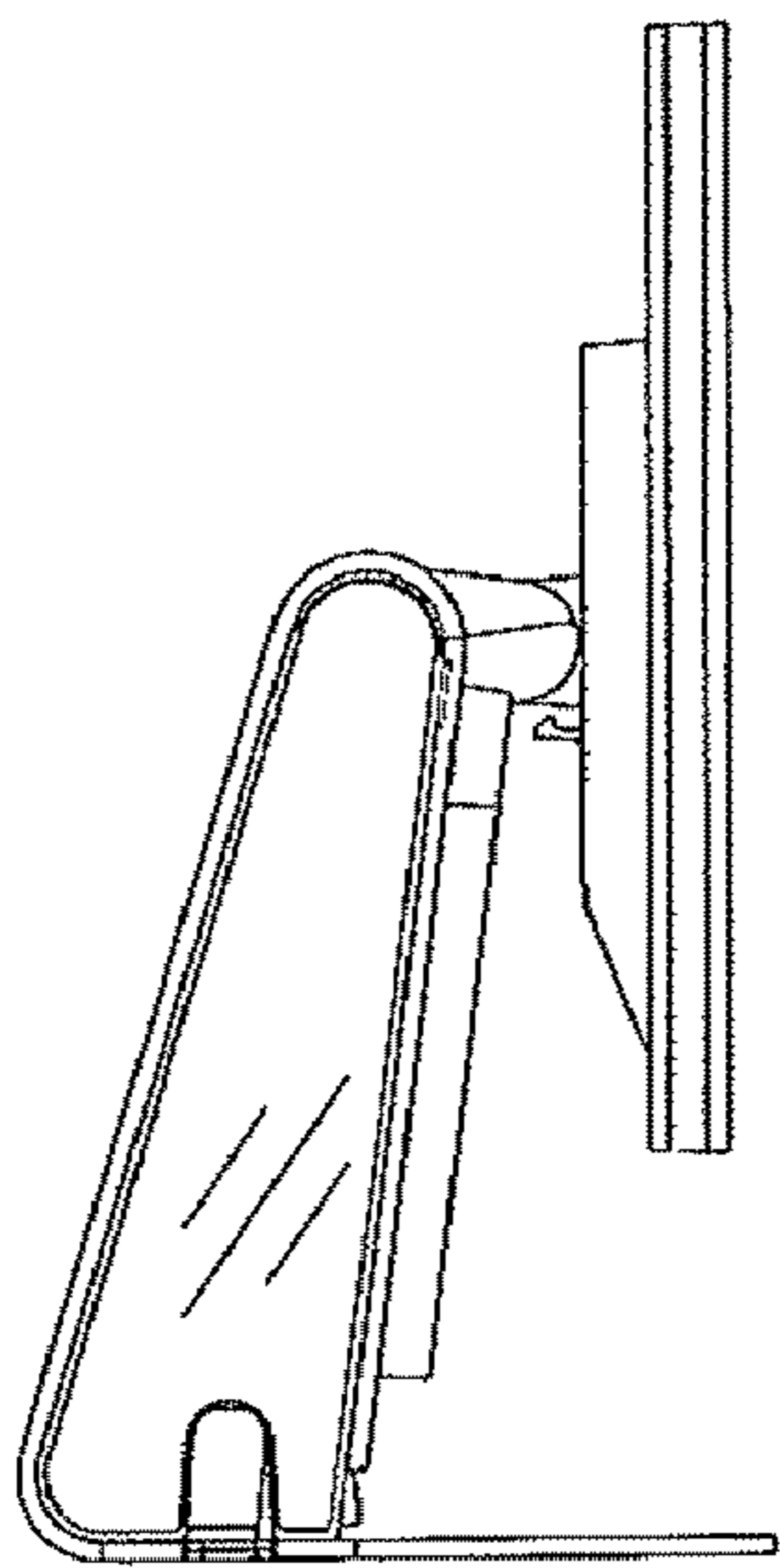


FIG. 6

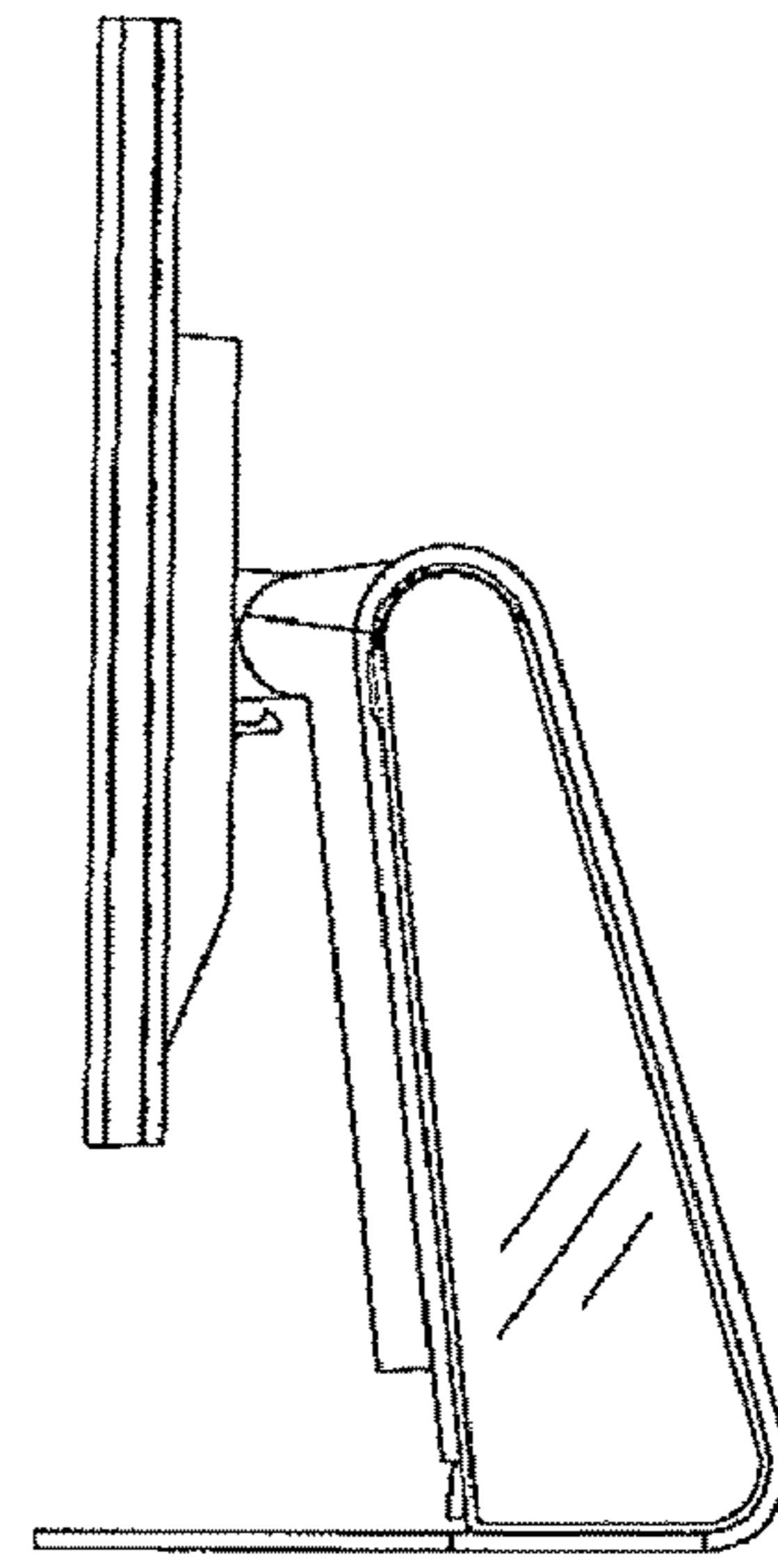


FIG. 7

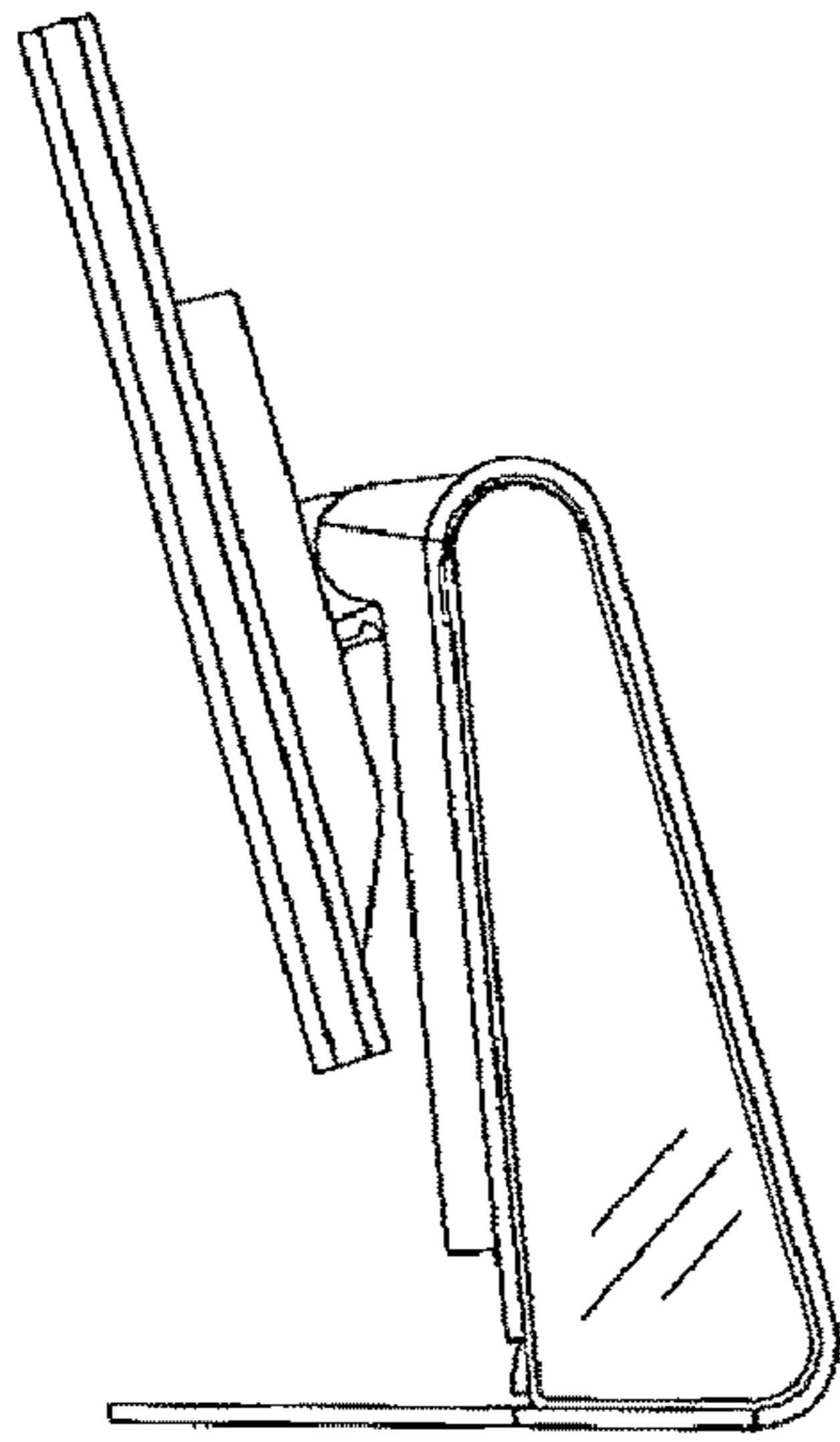


FIG. 8

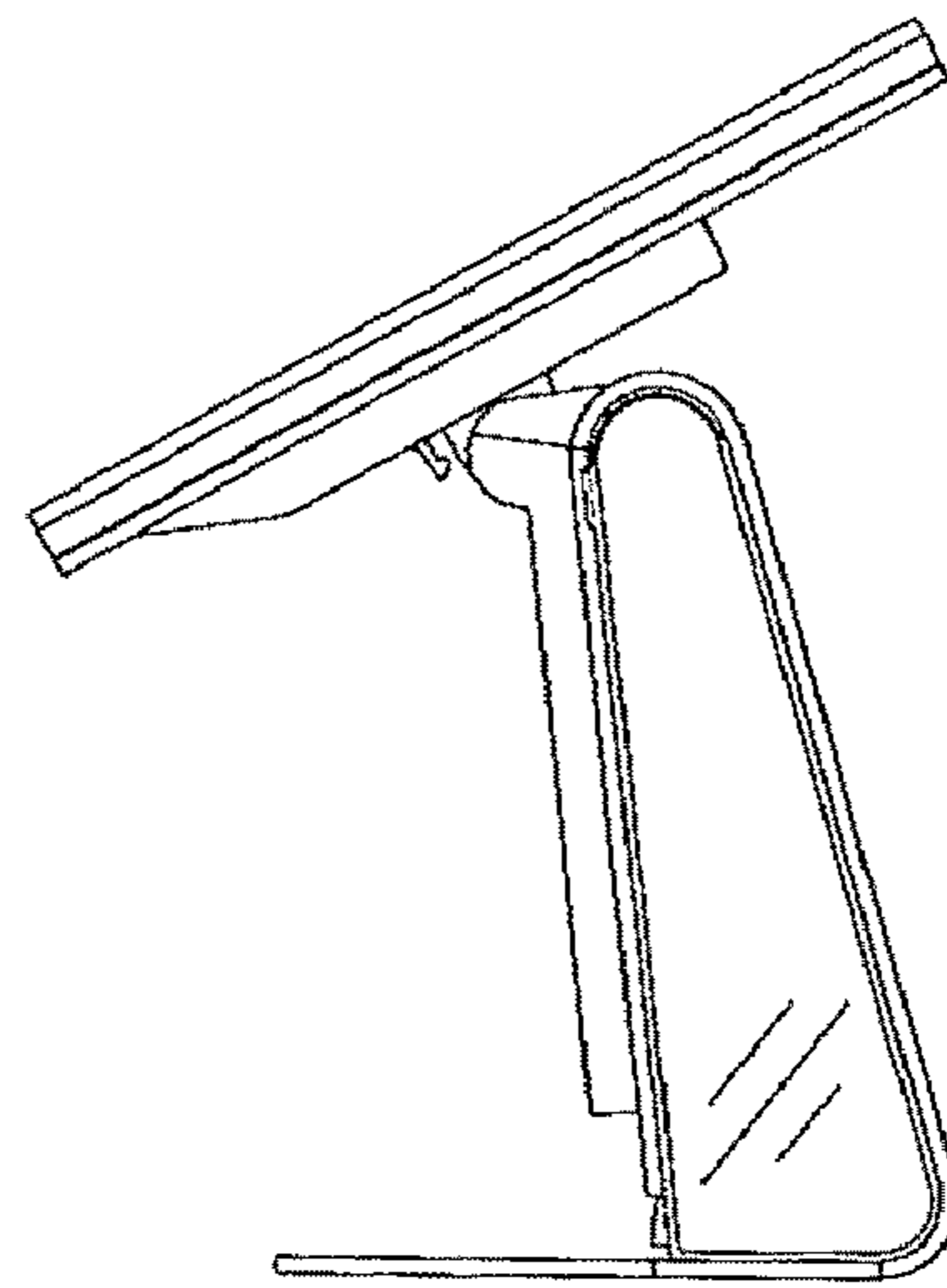


FIG. 9

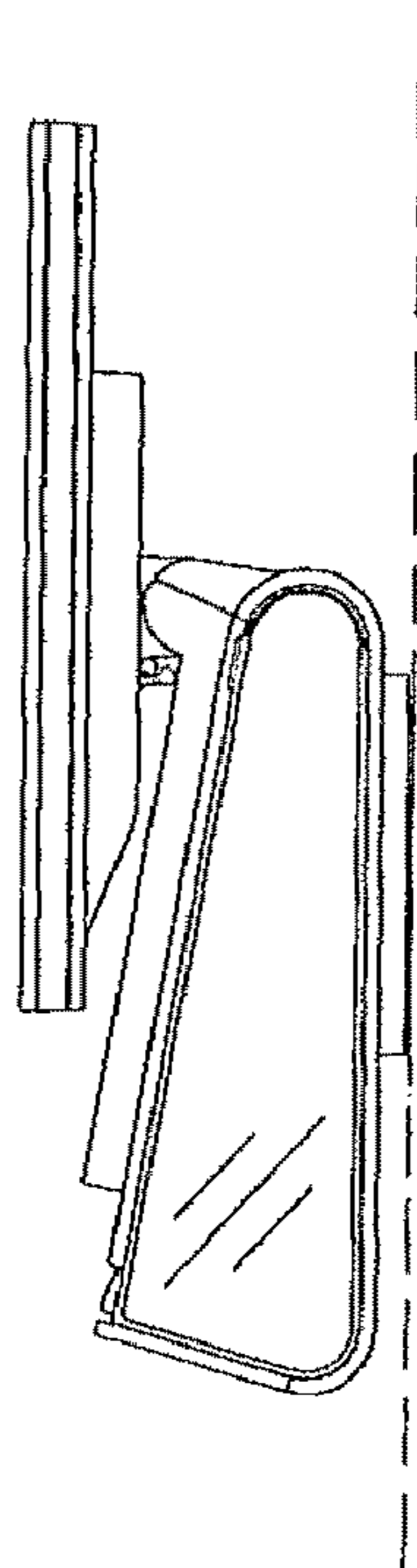


FIG. 10

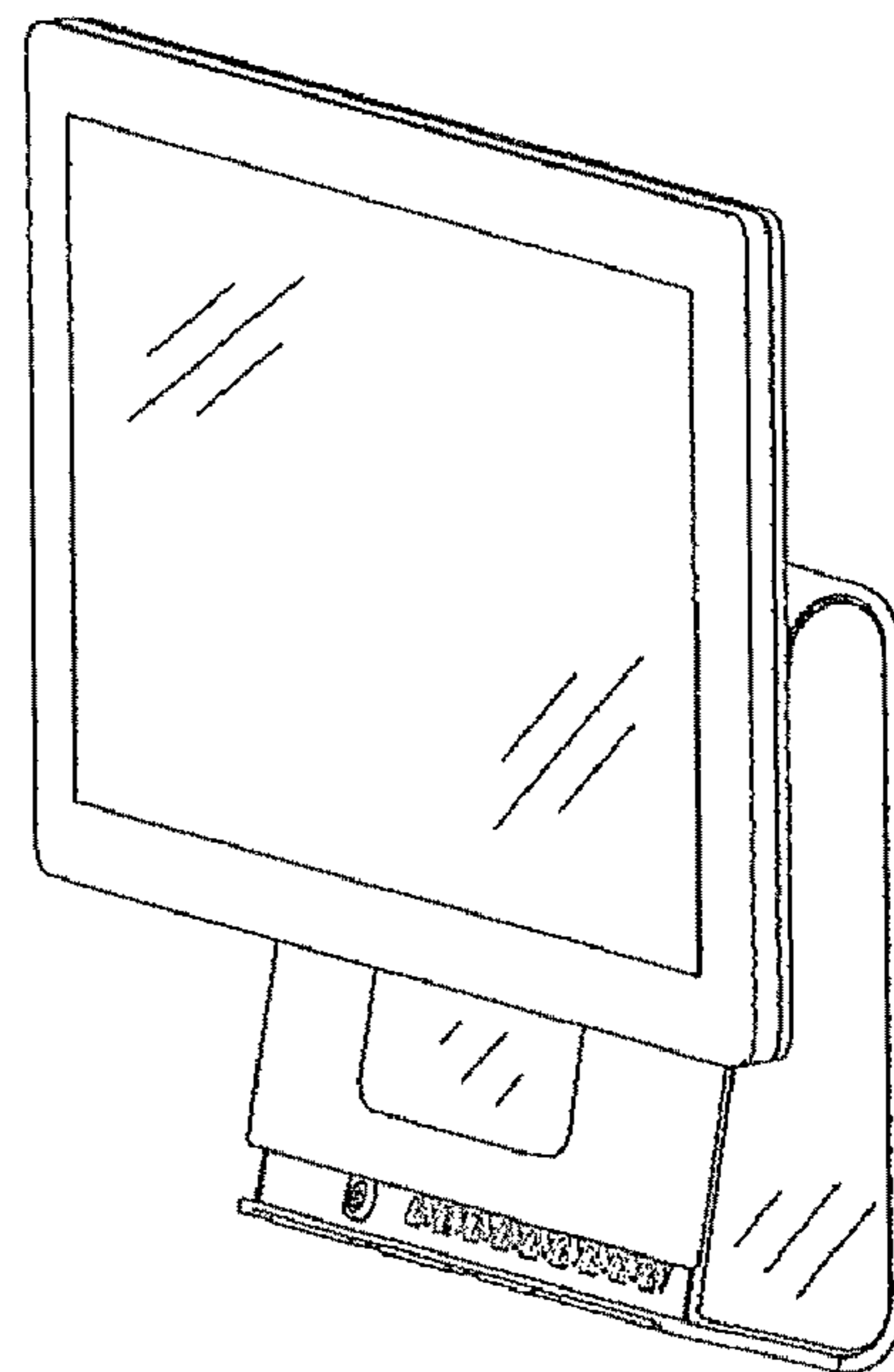


FIG. 11