



US00D647897S

(12) **United States Design Patent**
Kang

(10) **Patent No.:** **US D647,897 S**

(45) **Date of Patent:** **** Nov. 1, 2011**

(54) **NOTEBOOK COMPUTER**

(75) **Inventor:** **Seok Kyu Kang**, Seoul (KR)

(73) **Assignee:** **LG Electronics Inc.**, Seoul (KR)

(**) **Term:** **14 Years**

(21) **Appl. No.:** **29/384,123**

(22) **Filed:** **Jan. 27, 2011**

(30) **Foreign Application Priority Data**

Jul. 28, 2010 (KR) 30-2010-0033110

(51) **LOC (9) Cl.** **14-02**

(52) **U.S. Cl.** **D14/327**

(58) **Field of Classification Search** D14/315-327;
D18/1, 2, 7, 11; 235/154 A, 145 R; 341/22,
341/23; 345/104, 156, 168, 169, 173, 87,
345/901-905; 361/679.08-679.18; 400/486-489
See application file for complete search history.

(56) **References Cited**

U.S. PATENT DOCUMENTS

6,519,139 B2 * 2/2003 Kambayashi 361/679.09
D492,678 S * 7/2004 Kim et al. D14/327

D587,701 S * 3/2009 Yoon D14/318
D614,180 S * 4/2010 Gou D14/318
D630,203 S * 1/2011 Peng D14/318
2005/0018396 A1 * 1/2005 Nakajima et al. 361/683
2005/0041378 A1 * 2/2005 Hamada et al. 361/680
2006/0034045 A1 * 2/2006 Wang 361/683

* cited by examiner

Primary Examiner — Freda S Nunn

(74) *Attorney, Agent, or Firm* — Birch, Stewart, Kolasch & Birch, LLP

(57) **CLAIM**

I claim the ornamental design for a notebook computer, as shown and described.

DESCRIPTION

FIG. 1 is a perspective view of a notebook computer showing my new design;
FIG. 2 is a front elevation view thereof;
FIG. 3 is a rear elevation view thereof;
FIG. 4 is a left-side elevation view thereof;
FIG. 5 is a right-side elevation view thereof;
FIG. 6 is a top plan view thereof; and,
FIG. 7 is a bottom plan view thereof.

1 Claim, 5 Drawing Sheets

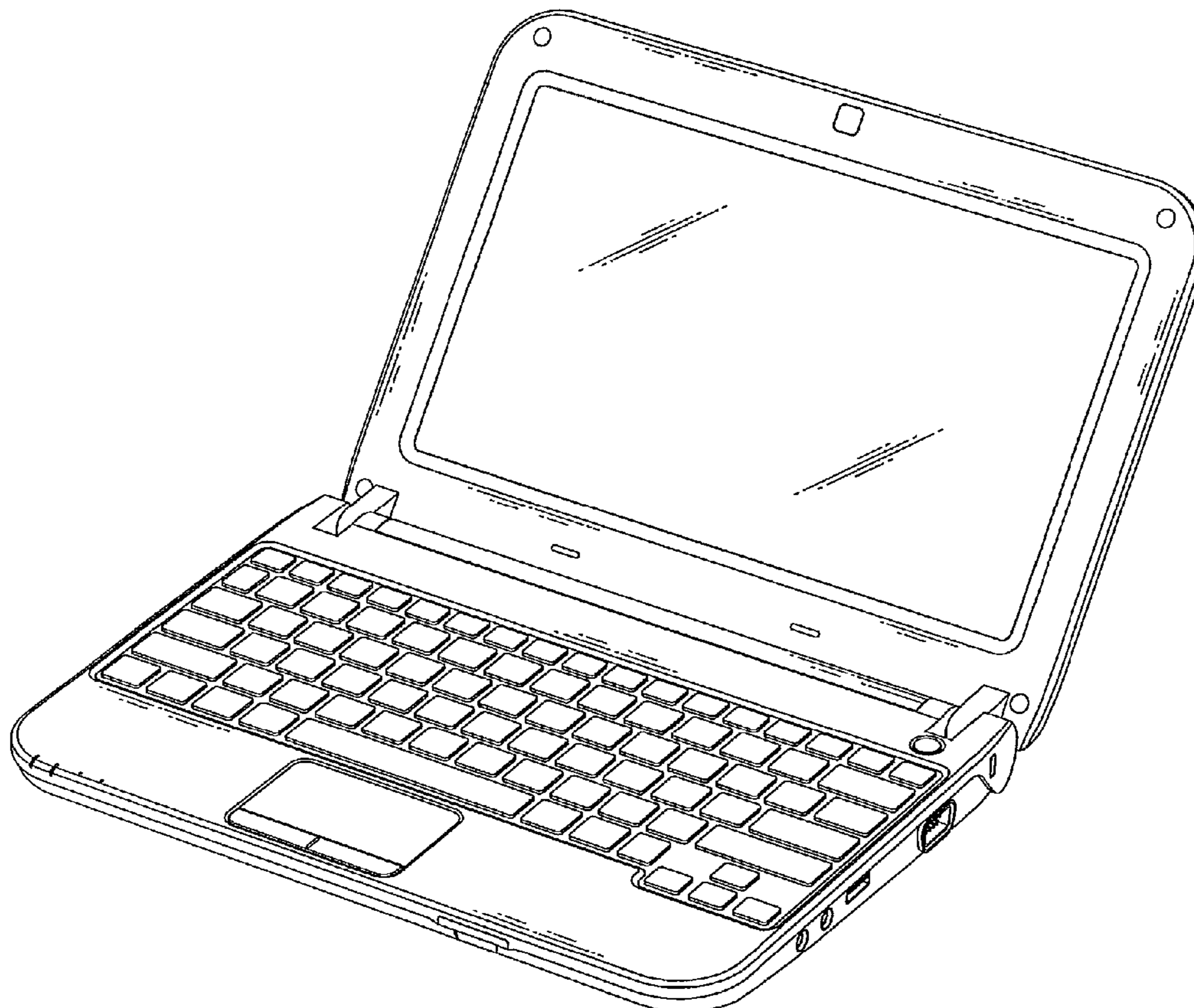


FIG. 1

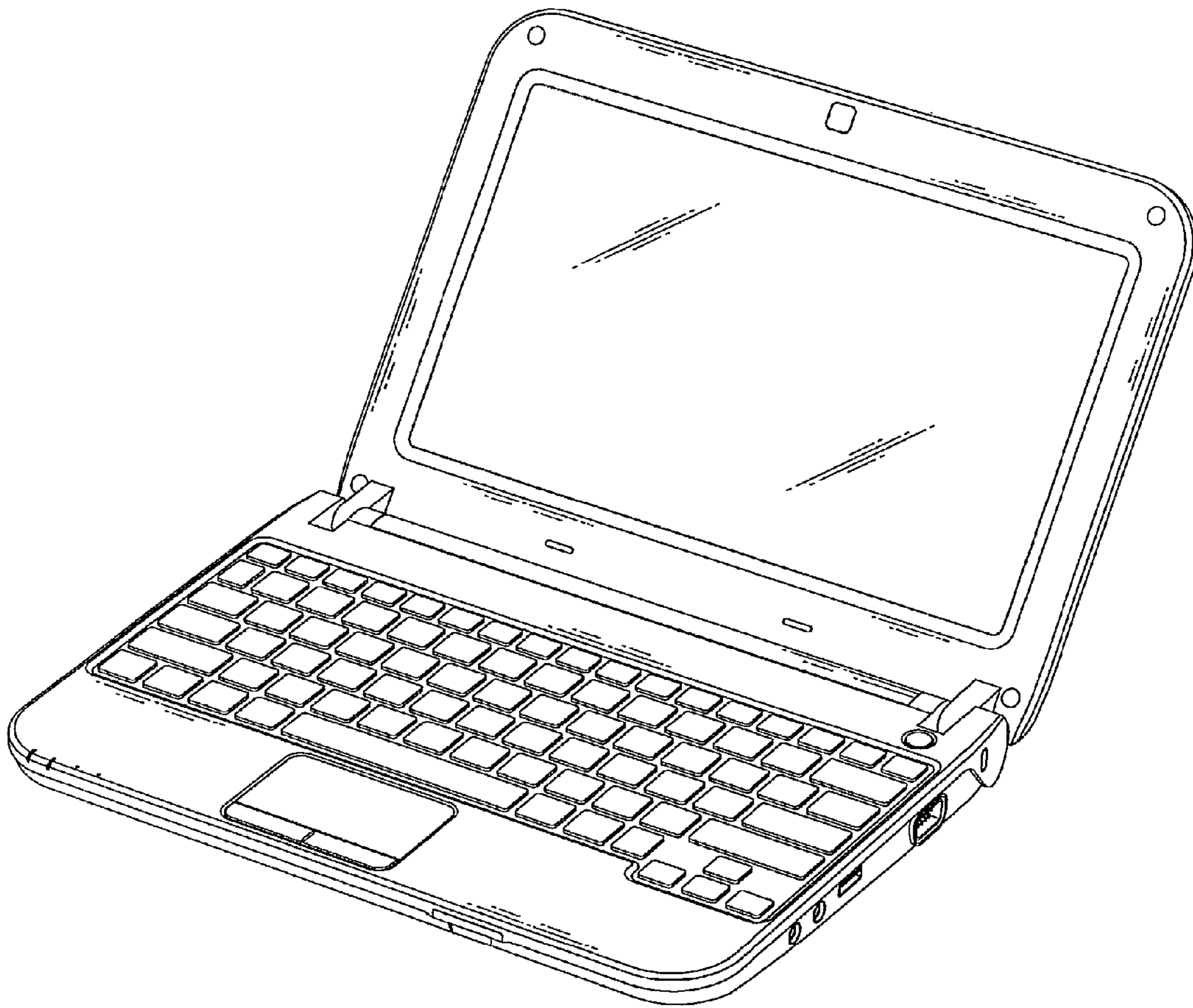


FIG.2

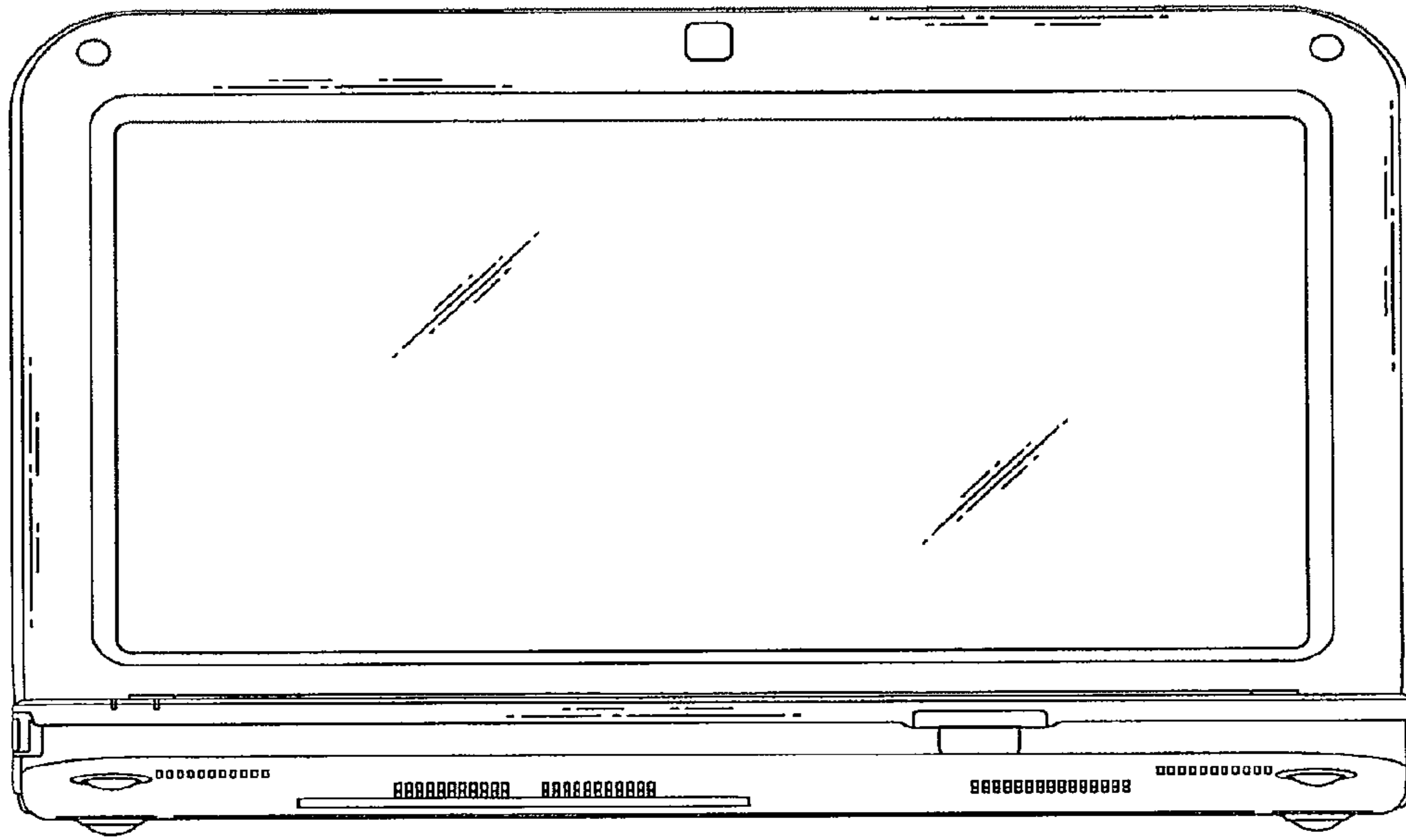


FIG.3

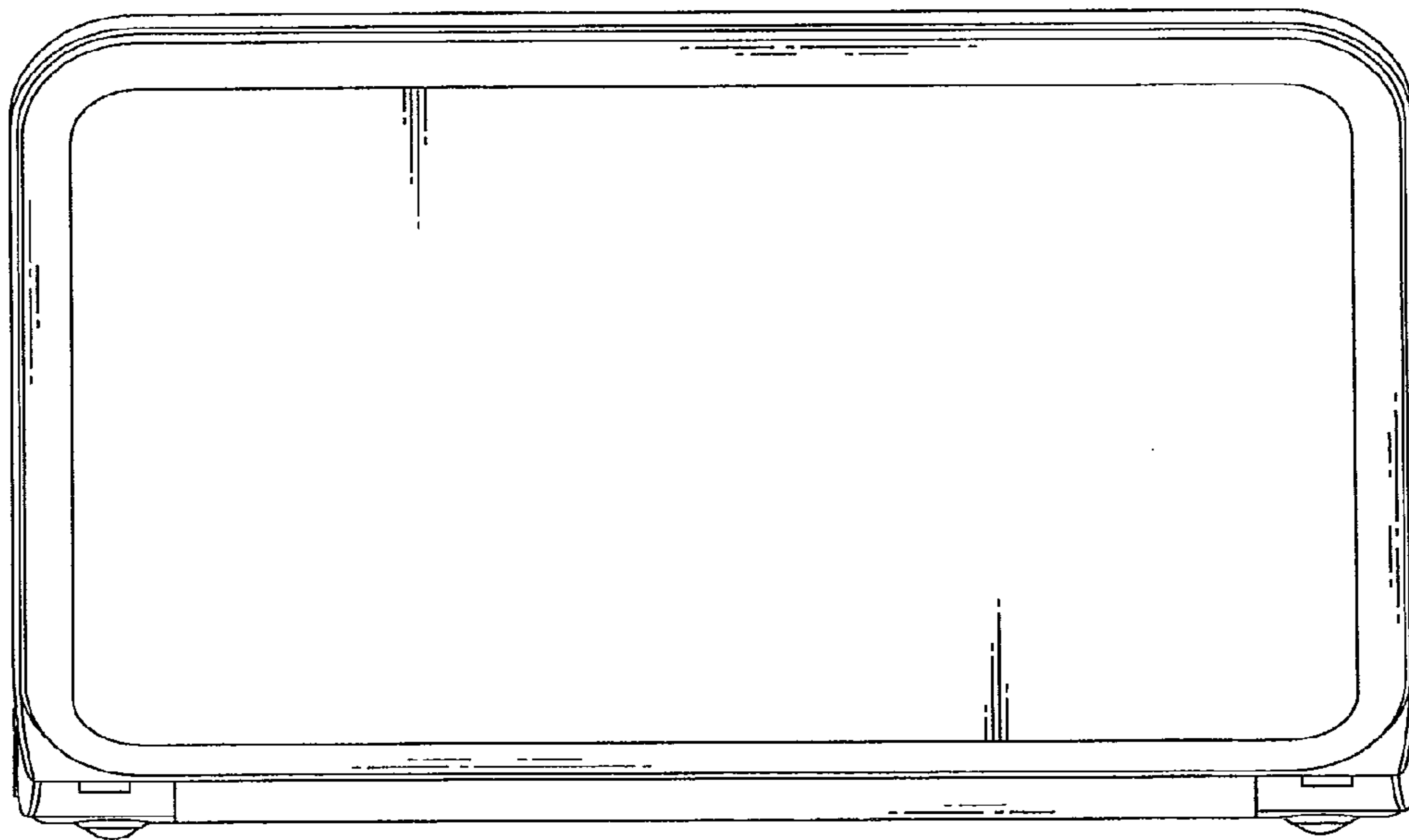


FIG. 4

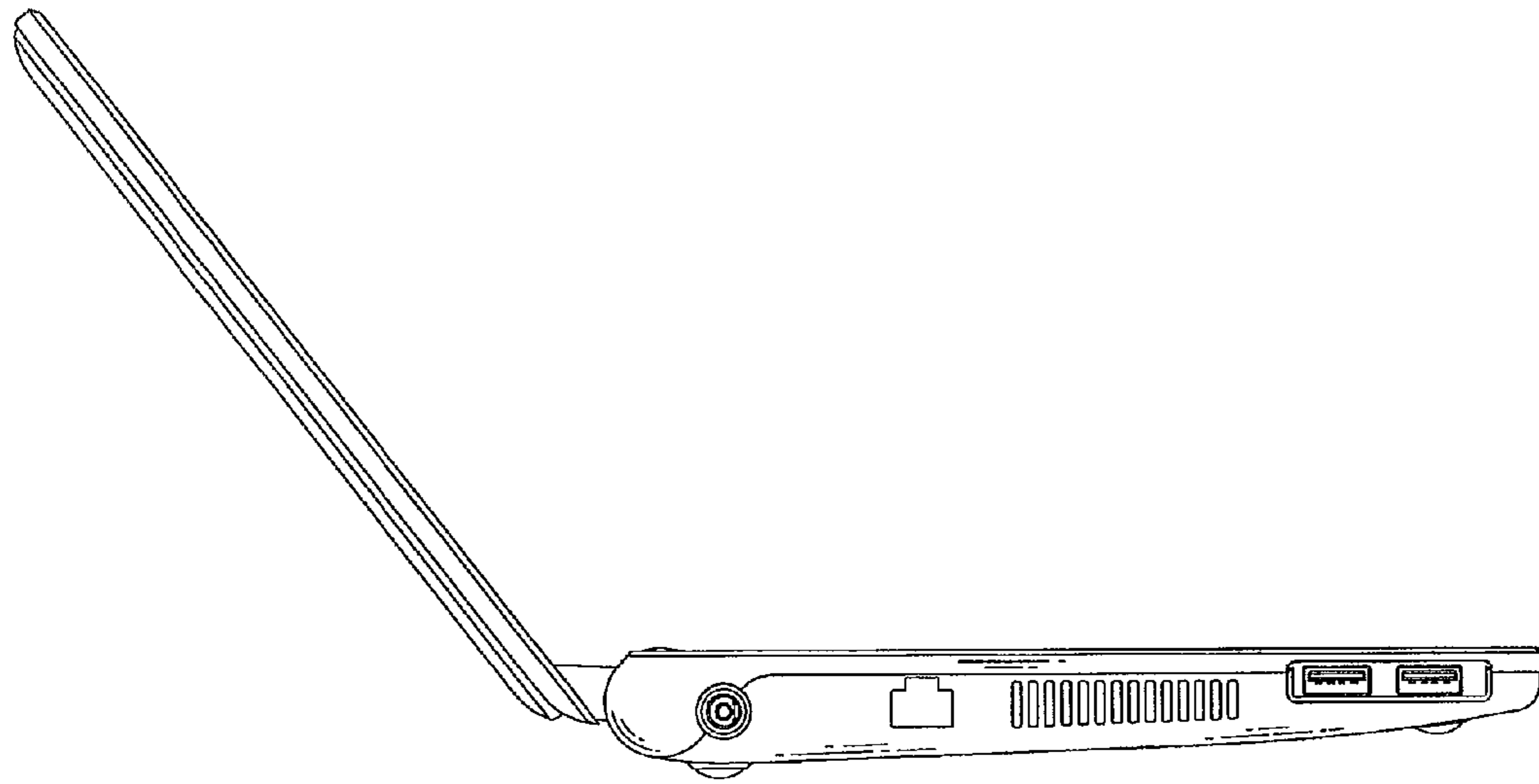


FIG. 5

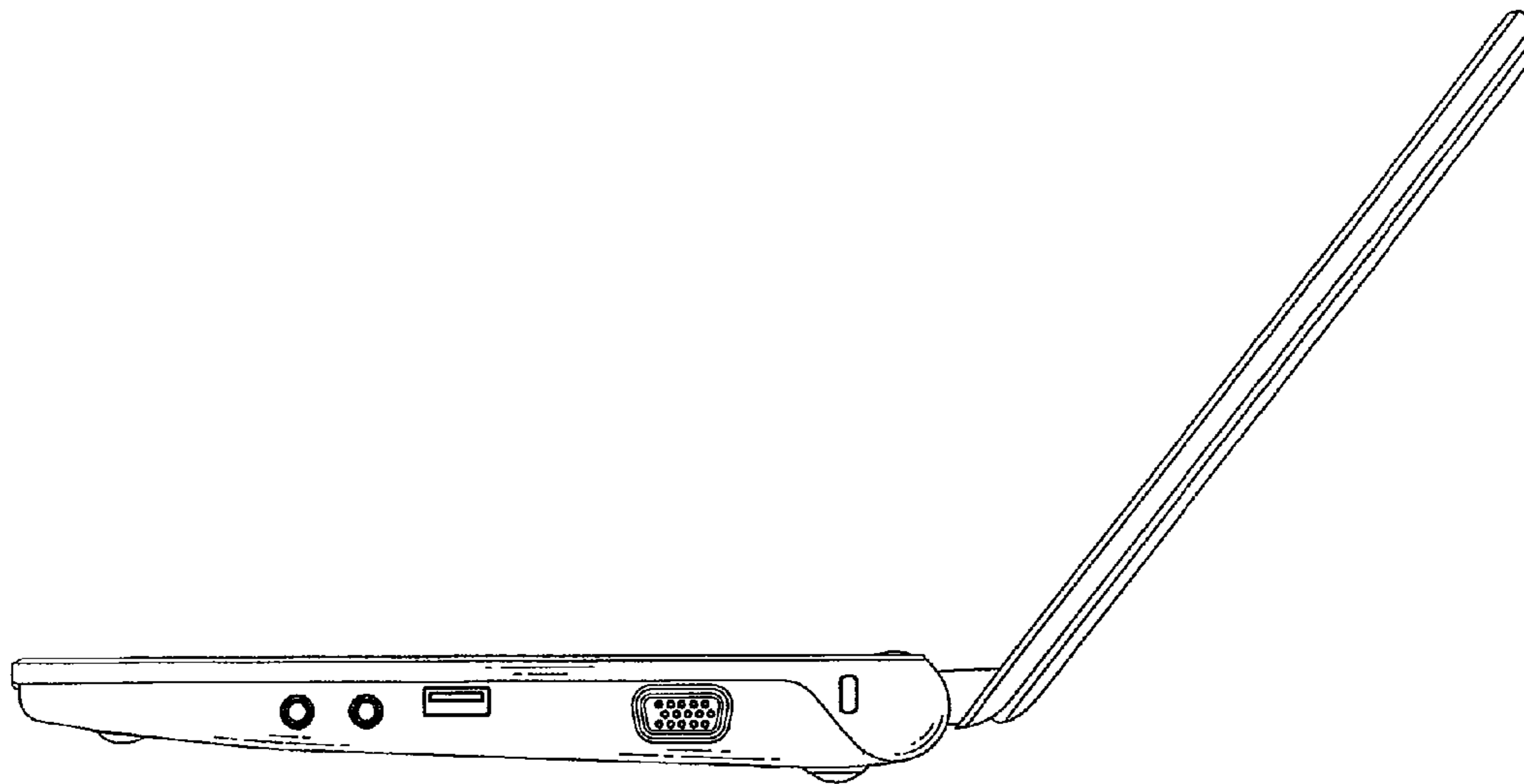


FIG. 6

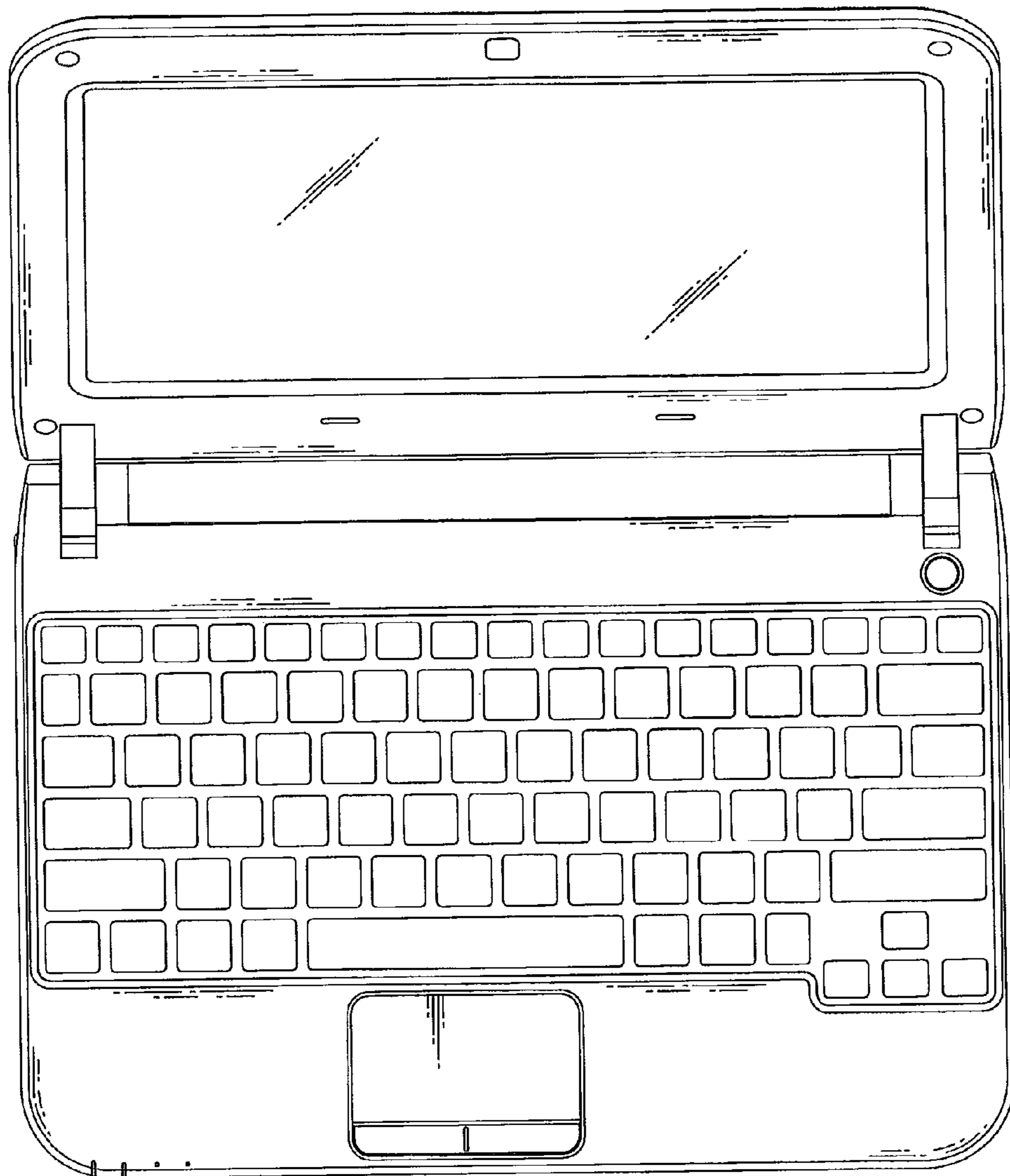


FIG. 7

