



US00D647896S

(12) **United States Design Patent**
Chen et al.

(10) **Patent No.:** **US D647,896 S**

(45) **Date of Patent:** **** Nov. 1, 2011**

(54) **COMPUTER ENCLOSURE**

(75) Inventors: **Yun-Lung Chen**, Taipei Hsien (TW);
Hong-Jin Wu, Shenzhen (CN); **Qun Wang**, Shenzhen (CN)

(73) Assignee: **Hon Hai Precision Industry Co., Ltd.**,
Tu-Cheng, New Taipei (TW)

(**) Term: **14 Years**

(21) Appl. No.: **29/381,765**

(22) Filed: **Dec. 22, 2010**

(51) **LOC (9) Cl.** **14-02**

(52) **U.S. Cl.** **D14/314**

(58) **Field of Classification Search** D14/300–303,
D14/308, 314, 349, 351, 337, 355, 172, 218,
D14/240; D13/184, 199; D6/432, 436; D9/414,
D9/432; 312/223.1–223.2; 361/679.55,
361/679.6

See application file for complete search history.

(56) **References Cited**

U.S. PATENT DOCUMENTS

D226,565 S *	3/1973	Klepa et al.	D14/349
D237,742 S *	11/1975	Miyamoto	D14/168
D258,577 S *	3/1981	Bottner	D10/104.1
D414,187 S *	9/1999	Lange et al.	D14/231
D430,028 S *	8/2000	Panansiewicz	D9/432
D438,526 S *	3/2001	Katayama	D14/203.3
D455,037 S *	4/2002	Baba	D6/632
D470,482 S *	2/2003	Ikeda	D14/230
D475,371 S *	6/2003	Bone et al.	D14/301
D496,271 S *	9/2004	Hoeltgen	D9/424
D502,164 S *	2/2005	Ko et al.	D14/203.5
D514,103 S *	1/2006	Huang et al.	D14/480.6
D521,508 S *	5/2006	Ting	D14/341
D531,025 S *	10/2006	Tanner	D9/426
D540,318 S *	4/2007	Wang	D14/300
D544,497 S *	6/2007	Kindle et al.	D14/496

D567,032 S *	4/2008	Gilbert	D7/629
D574,769 S *	8/2008	Fisher et al.	D13/108
D577,020 S *	9/2008	Park	D14/363
D578,961 S *	10/2008	Fisher et al.	D13/108
D580,932 S *	11/2008	Tzou et al.	D14/356
D592,649 S *	5/2009	L’Henaff et al.	D14/240
D596,626 S *	7/2009	Andre et al.	D14/240
D598,375 S *	8/2009	Nomi	D13/108
D609,701 S *	2/2010	Hou	D14/240
D624,912 S *	10/2010	Chen et al.	D14/356
D625,627 S *	10/2010	McAlpine et al.	D10/65
D626,099 S *	10/2010	Huang	D14/125

(Continued)

OTHER PUBLICATIONS

Tech Digest: BluOnyx Mobile Content Server—Wi-Fi storage for your mobile phone or media player, p. 1 [online] posted on Jan. 23, 2007 [retrieved on May 8, 2007]. Retrieved from the Internet <URL: http://techdigest.tv/2007/01/bluonyx_mobile.html>.*

Primary Examiner — Karen E Kearney

(74) *Attorney, Agent, or Firm* — Altis Law Group, Inc.

(57) **CLAIM**

The ornamental design for a computer enclosure, as shown and described.

DESCRIPTION

FIG. 1 is a perspective view of the computer enclosure showing our new design;

FIG. 2 is a front elevational view thereof;

FIG. 3 is a rear elevational view thereof;

FIG. 4 is a left side elevational view thereof;

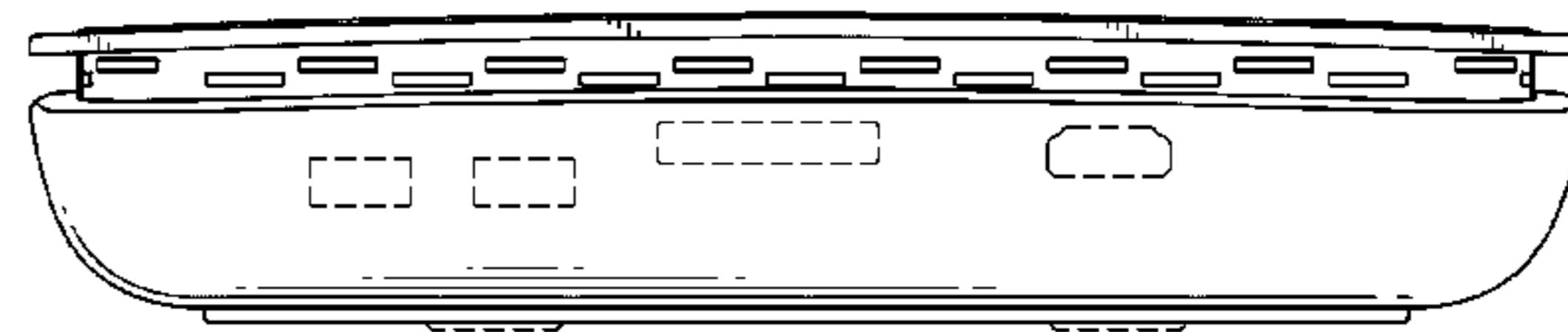
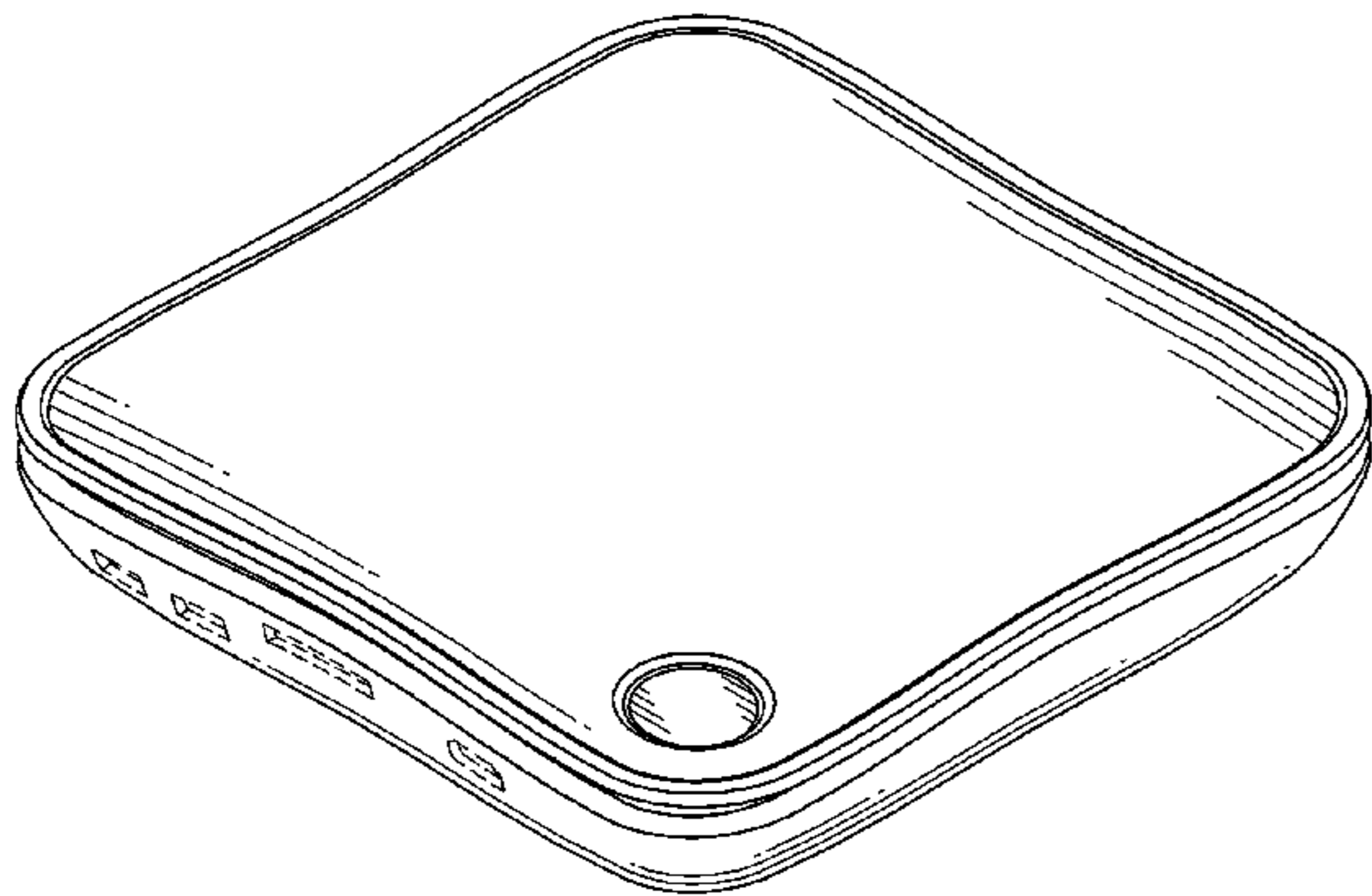
FIG. 5 is a right side elevational view thereof;

FIG. 6 is a top plan view thereof; and,

FIG. 7 is a bottom plan view thereof.

The broken lines showing of portions of the computer enclosure are for the purpose of illustrating environmental structure and form no part of the claimed design.

1 Claim, 7 Drawing Sheets



US D647,896 S

Page 2

U.S. PATENT DOCUMENTS

D626,951 S *	11/2010	Ding	D14/240	D641,740 S *	7/2011	Jeon et al.	D14/240
D635,940 S *	4/2011	Cho et al.	D14/125	2002/0085342 A1 *	7/2002	Chen et al.	361/683
D638,317 S *	5/2011	Nguyen et al.	D10/65	2007/0008688 A1 *	1/2007	Liang	361/683
D638,426 S *	5/2011	Ikeda et al.	D14/358				

* cited by examiner

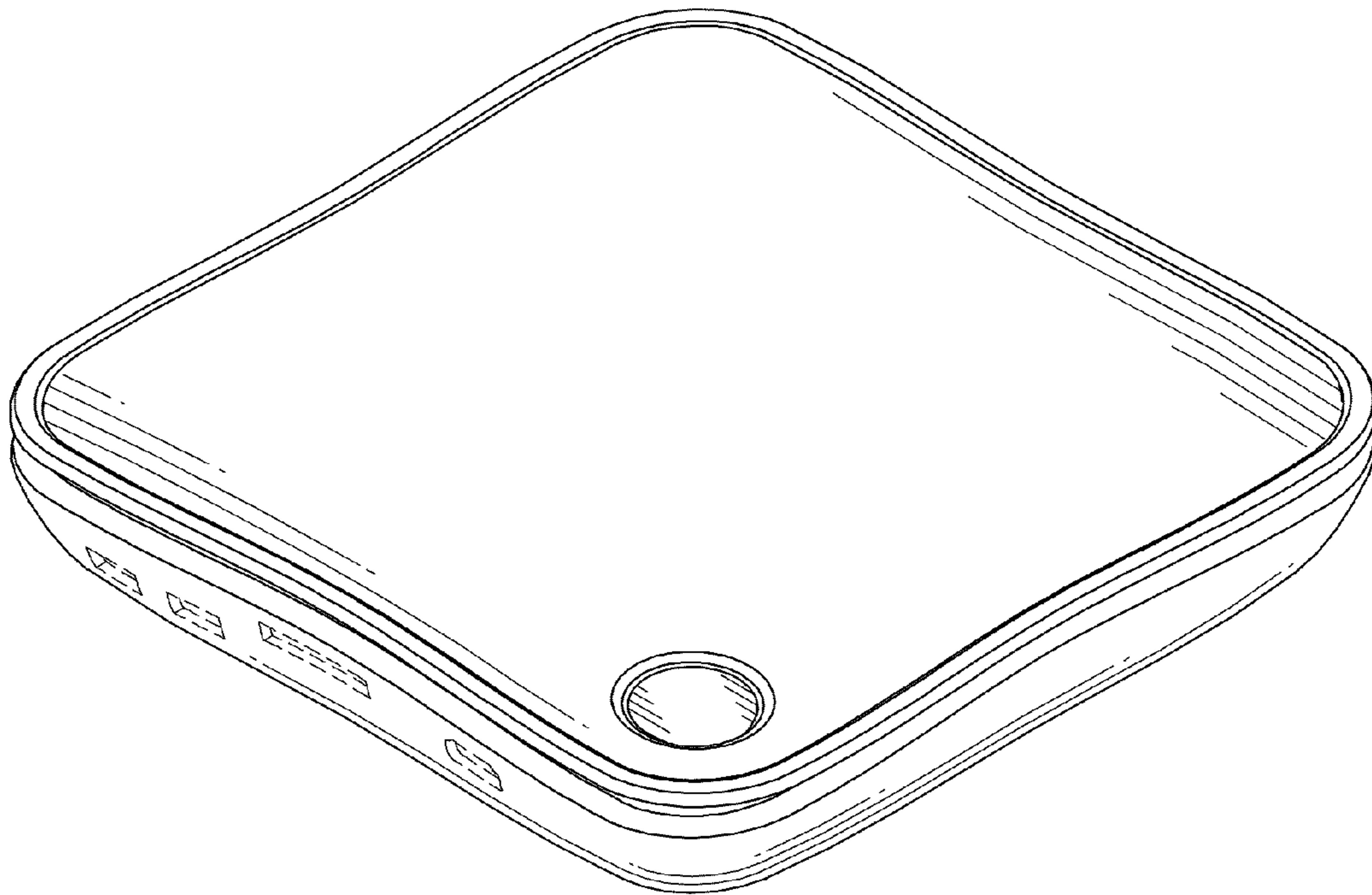


FIG. 1

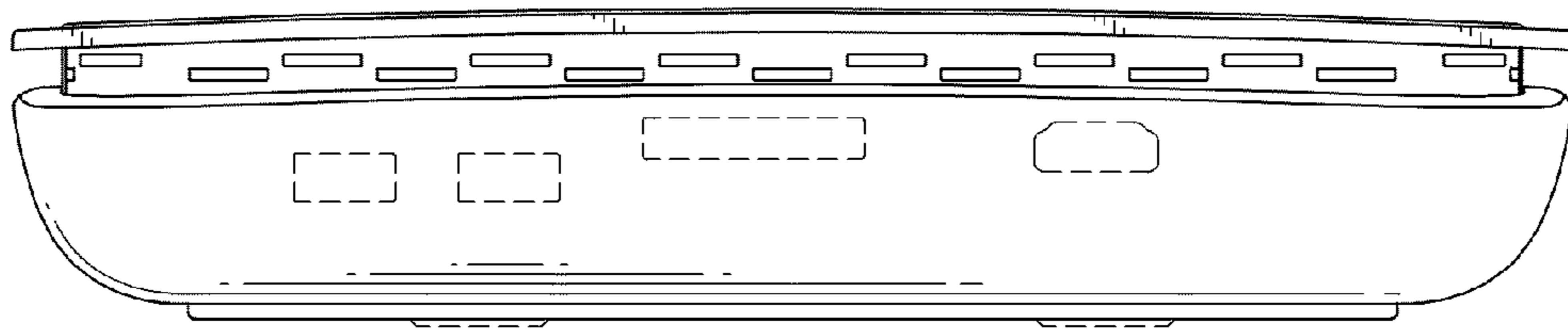


FIG. 2

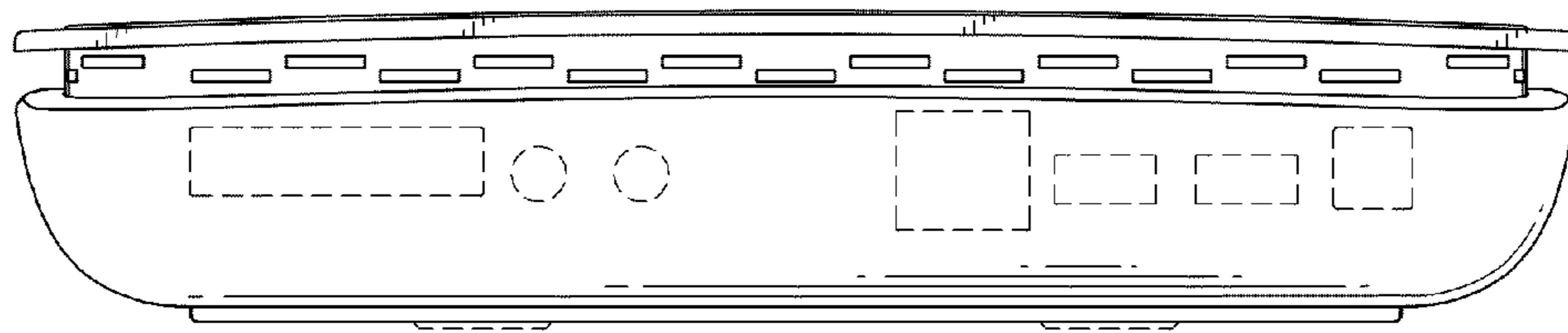


FIG. 3

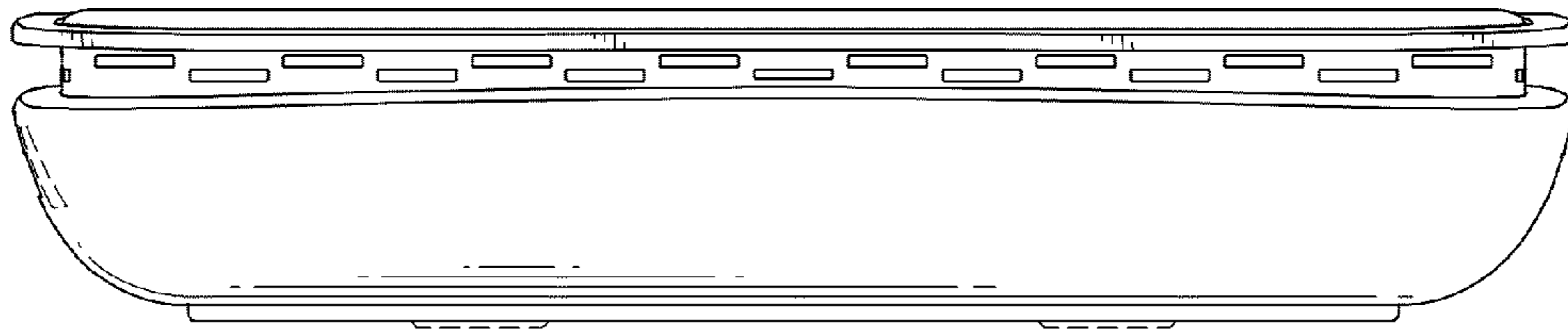


FIG. 4

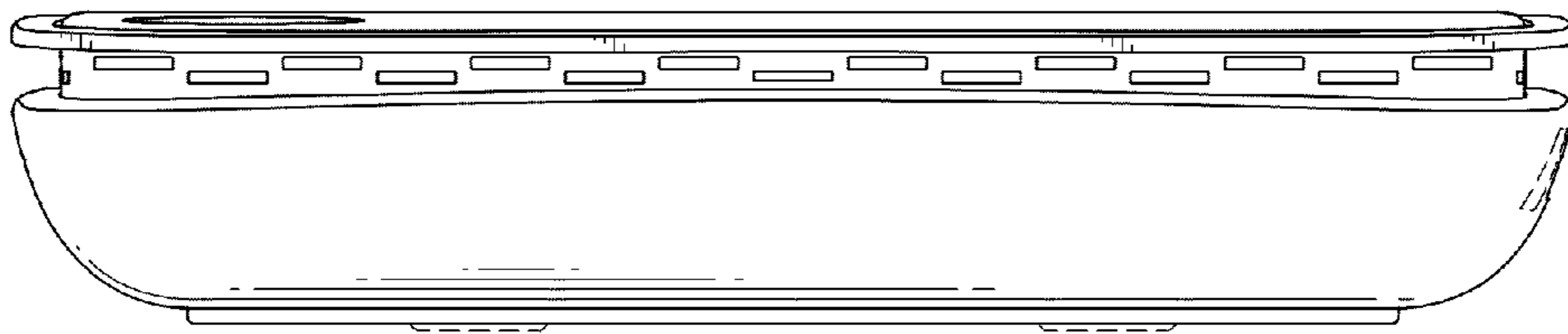


FIG. 5

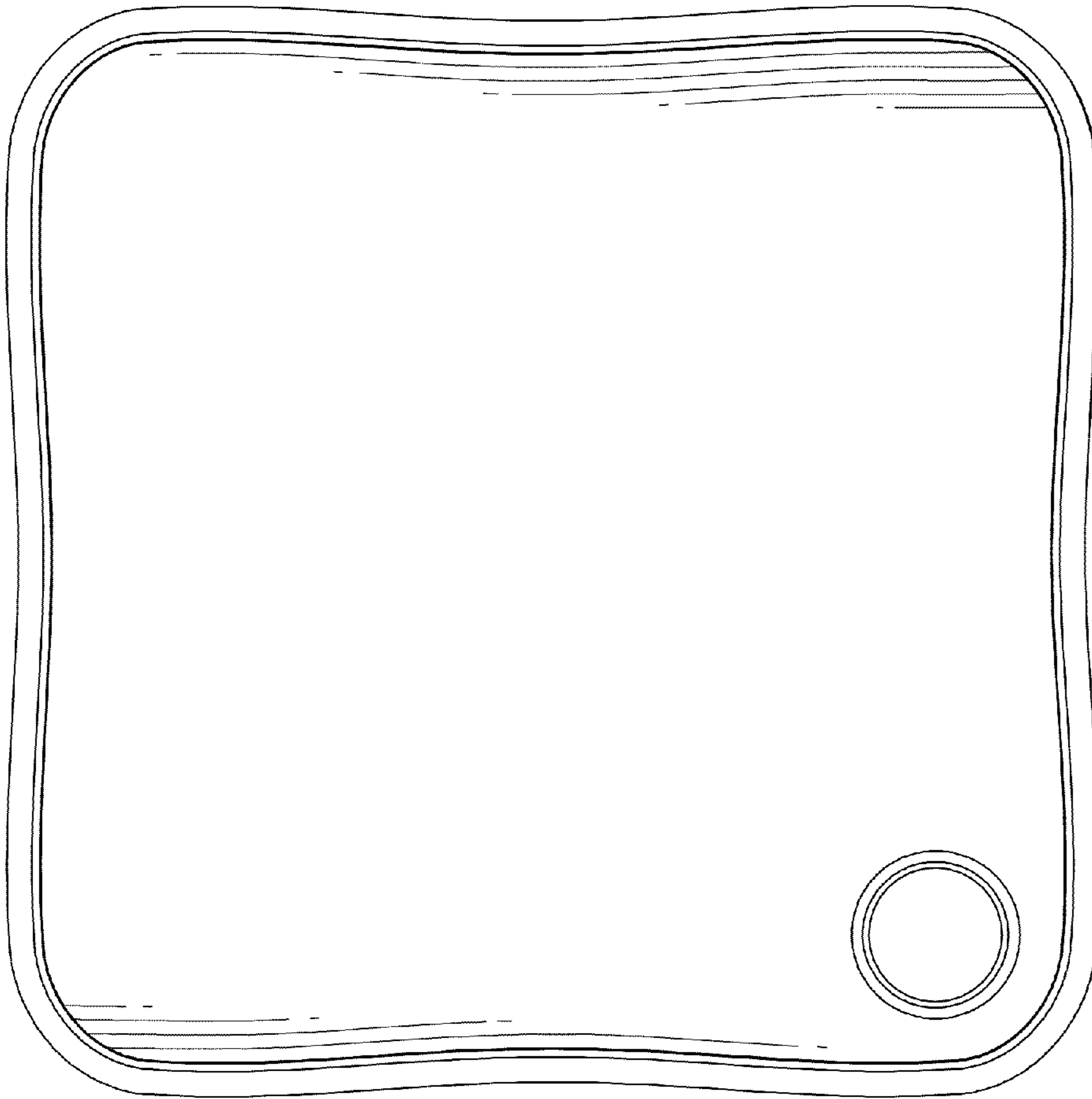


FIG. 6

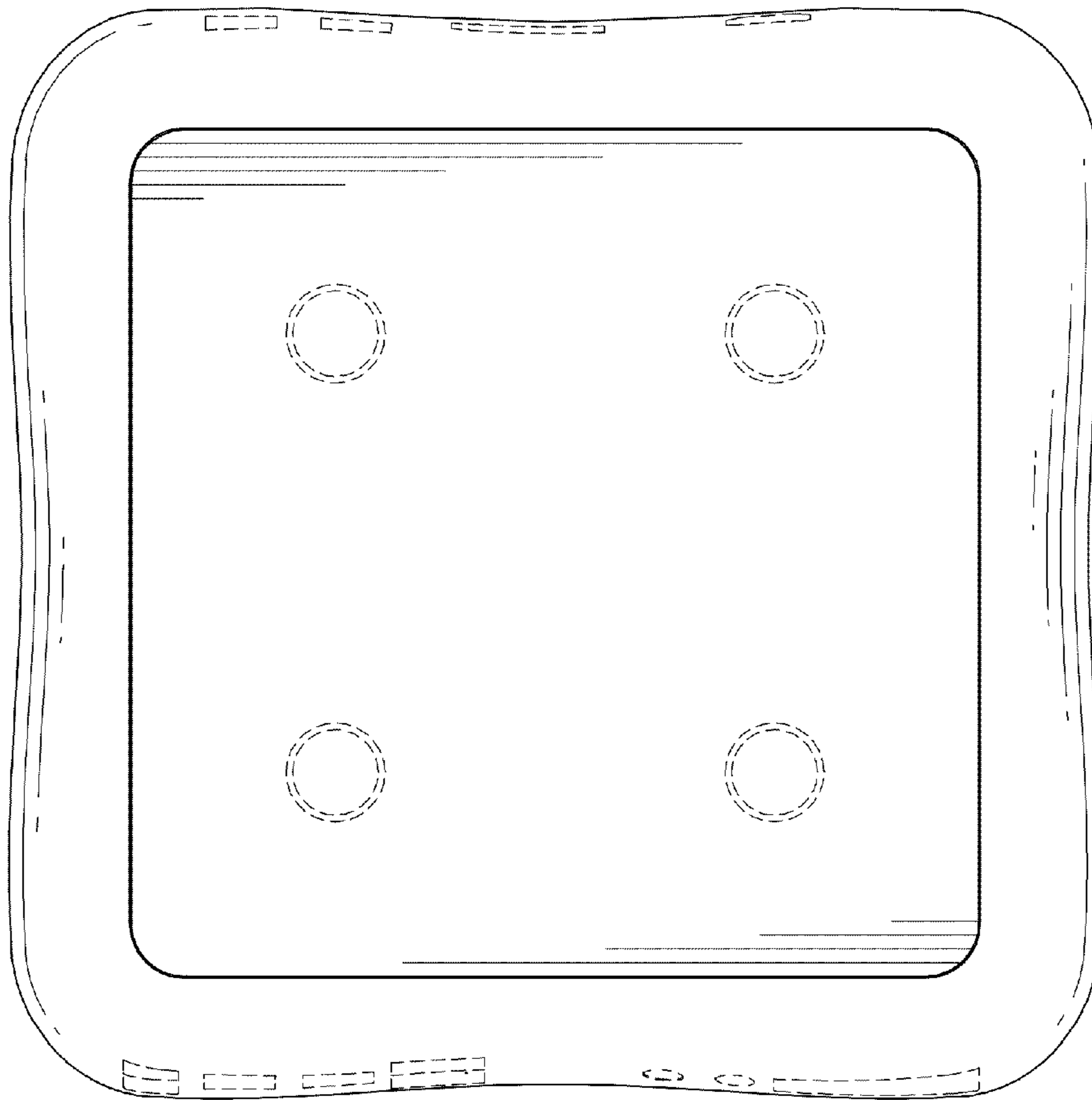


FIG. 7