



US00D647892S

(12) **United States Design Patent**
Ragde, Jr.

(10) **Patent No.:** **US D647,892 S**
(45) **Date of Patent:** **** Nov. 1, 2011**

(54) **PORTABLE MUSIC PLAYER CASE**

(75) Inventor: **Jorge V. Ragde, Jr.**, Canyon Country, CA (US)

(73) Assignee: **Portable Sound Laboratories, Inc.**, Van Nuys, CA (US)

(**) Term: **14 Years**

(21) Appl. No.: **29/385,224**

(22) Filed: **Feb. 10, 2011**

(51) **LOC (9) Cl.** **14-03**

(52) **U.S. Cl.** **D14/238.1; D14/250**

(58) **Field of Classification Search** D14/250–253, D14/440, 203.7, 217, 496, 203.3; D3/201, D3/218, 269, 301, 273, 303; D13/103; 220/4.02; 224/191, 240, 241, 245, 682–683; 248/309.1; 361/679.56; 379/426, 433.11, 455; 455/575.1, 455/575.8; 190/100; 206/305, 320
See application file for complete search history.

(56) **References Cited**

U.S. PATENT DOCUMENTS

D334,285	S *	3/1993	Wilson	D3/218
D367,167	S *	2/1996	Marino et al.	D3/218
D413,017	S *	8/1999	Masoud	D3/247
D423,772	S	5/2000	Cooper et al.		
D467,429	S *	12/2002	Bone et al.	D3/294
D513,148	S *	12/2005	Nieves	D6/633
D519,275	S *	4/2006	Shertzer	D3/218
D542,529	S *	5/2007	Peart et al.	D3/276
7,255,228	B2 *	8/2007	Kim	206/320
D551,846	S *	10/2007	Ko et al.	D3/201
D557,495	S *	12/2007	Chan et al.	D3/218
D558,973	S *	1/2008	Hussaini et al.	D3/201

(Continued)

OTHER PUBLICATIONS

Eco Extreme Waterproof Case with Built-In Speaker for iPod, iPhone and MP3 Players (Black gdi-aqcse101) by Grace Digital,

<URL:http://www.amazon.com/Extreme-Waterproof-gdi-aqcse101-Grace-Digital/dp/B003DKBX71/ref=sr_1_4?ie=UTF8&qid=1301962035&sr=8-4>, retrieved from internet Apr. 4, 2011.*

(Continued)

Primary Examiner — Robert M Spear

Assistant Examiner — Carla Wright

(74) *Attorney, Agent, or Firm* — Blakely, Sokoloff, Taylor & Zafman LLP

(57) **CLAIM**

The ornamental design for portable music player case, as shown and described.

DESCRIPTION

FIG. 1 is a perspective view of a portable music player case in a closed configuration.

FIG. 2 is a top plan view of the portable music player case of FIG. 1.

FIG. 3 is a bottom plan view of the portable music player case of FIG. 1.

FIG. 4 is a side view of the portable music player case of FIG. 1.

FIG. 5 is an opposing side view of the portable music player case of FIG. 4.

FIG. 6 is an end view of the portable music player case of FIG. 1.

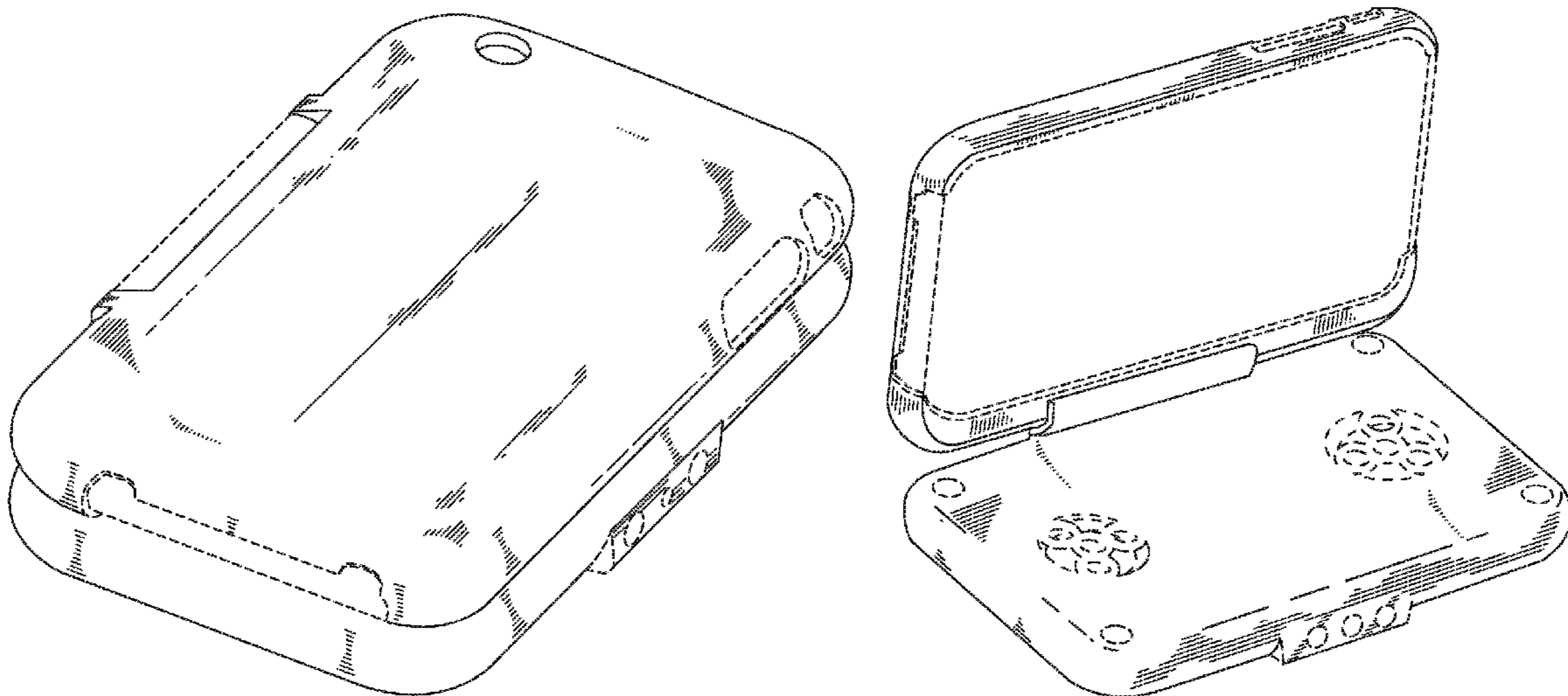
FIG. 7 is an opposing end view of the portable music player case of FIG. 6.

FIG. 8 is a perspective view of the portable music player case of FIG. 1 in one possible open configuration; and,

FIG. 9 is a perspective view of the portable music player case of FIG. 1 in a second alternative open configuration.

The broken lines immediately adjacent to the claimed surfaces represent boundaries of the claimed design. All other broken lines depict unclaimed environment. The broken lines and unshaded surfaces bounded by broken lines form no part of the claimed design.

1 Claim, 4 Drawing Sheets



US D647,892 S

Page 2

U.S. PATENT DOCUMENTS

D559,267 S * 1/2008 Griffin D14/496
D561,471 S * 2/2008 Nakamura D3/294
D570,593 S 6/2008 Justiss et al.
D573,136 S 7/2008 Lee et al.
D576,785 S 9/2008 TerMeer
D582,405 S * 12/2008 Andre et al. D3/299
D592,184 S * 5/2009 Ragde et al. D14/214
D592,399 S * 5/2009 Sage D3/295
D593,747 S 6/2009 Lissola et al.
D596,158 S 7/2009 Ragde et al.
7,584,841 B2 * 9/2009 Chan et al. 206/45.23
D601,992 S * 10/2009 Choi et al. D14/138 AB
D609,696 S * 2/2010 Martinez et al. D14/209.1
D621,396 S * 8/2010 Lee et al. D14/252
D623,640 S * 9/2010 Freeman D14/250
D623,642 S * 9/2010 Wang D14/253

D624,304 S * 9/2010 Danze et al. D3/201
D626,539 S * 11/2010 Brown et al. D14/250
2001/0035444 A1 * 11/2001 Alis 224/250
2006/0279924 A1 12/2006 Richardson et al.
2008/0053770 A1 * 3/2008 Tynyk 190/100
2008/0108387 A1 5/2008 Entner
2009/0000922 A1 1/2009 Maine, Jr. et al.

OTHER PUBLICATIONS

Lucky Brand i-P22 Geisha Portable Speaker System for iPod and iPhone, <URL:<http://www.theistore.com/lucky-brand-i-p22-geisha-portable-speaker-system-for-ipod-and-iphone>>, retrieved from internet Apr. 6, 2011.*

J & R. http://www.jr.com/iluv/pe/ILU_ISP110BLU, J & R. Feb. 9, 2011, 1 pg.

* cited by examiner

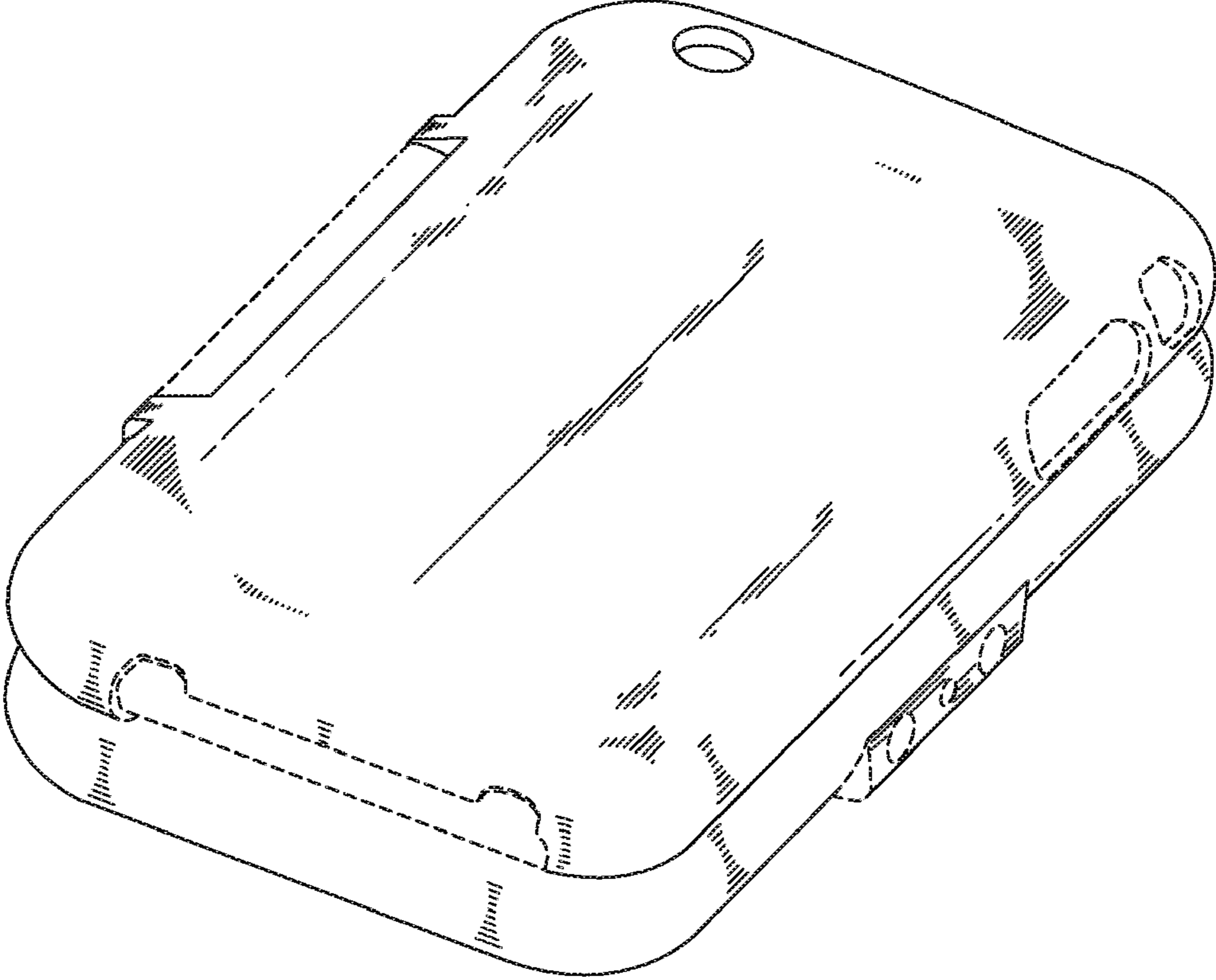


FIG. 1

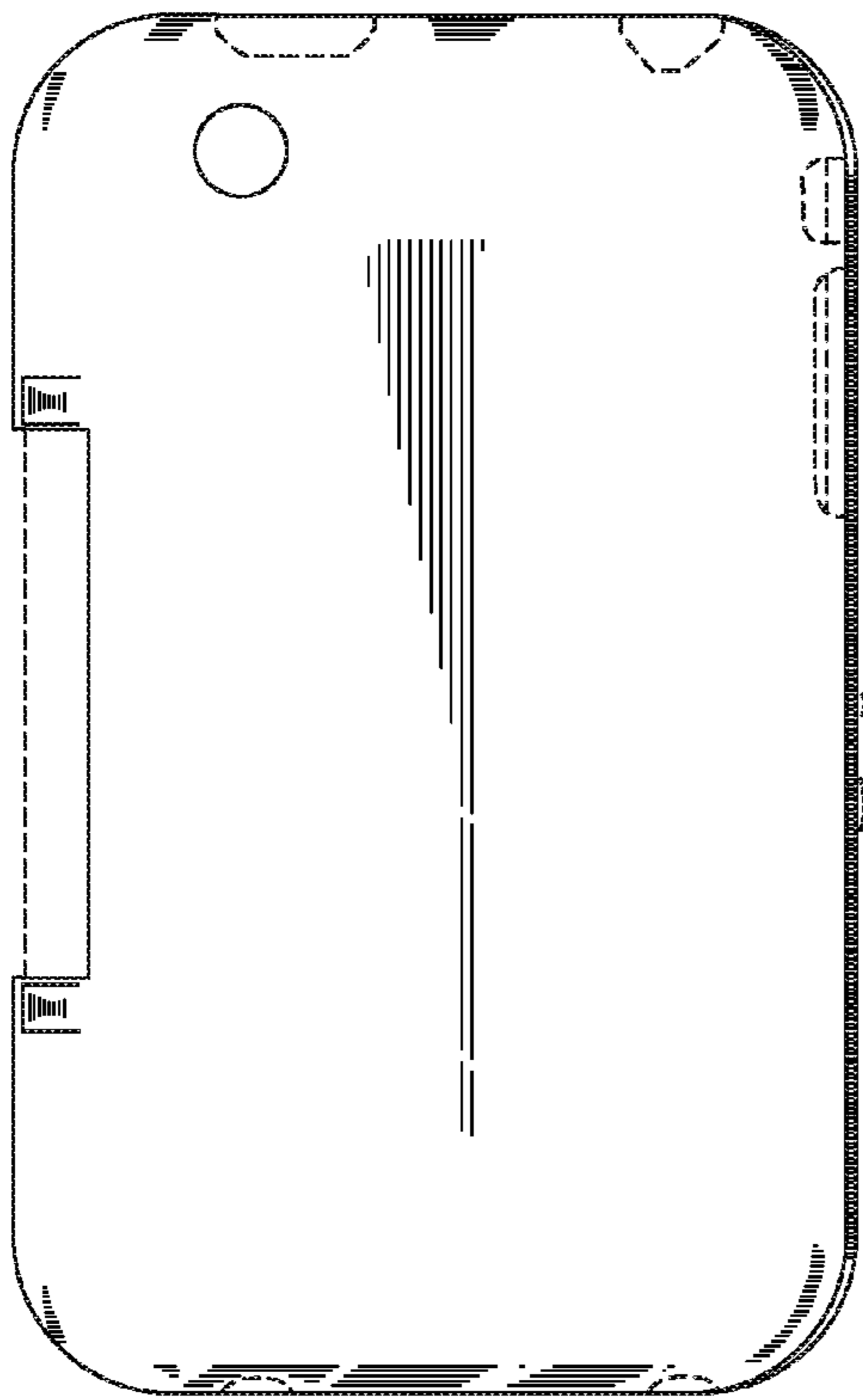


FIG. 2

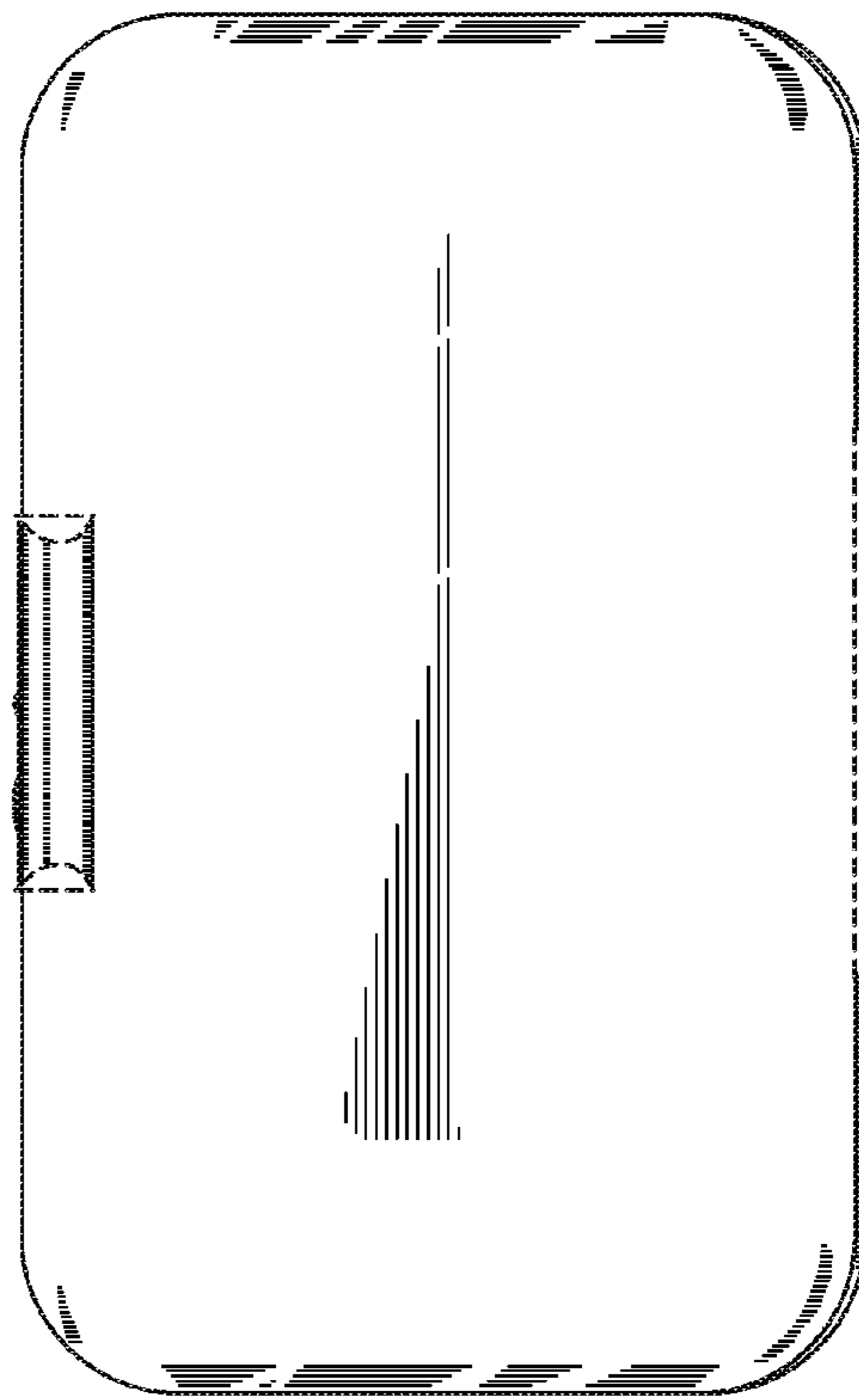


FIG. 3

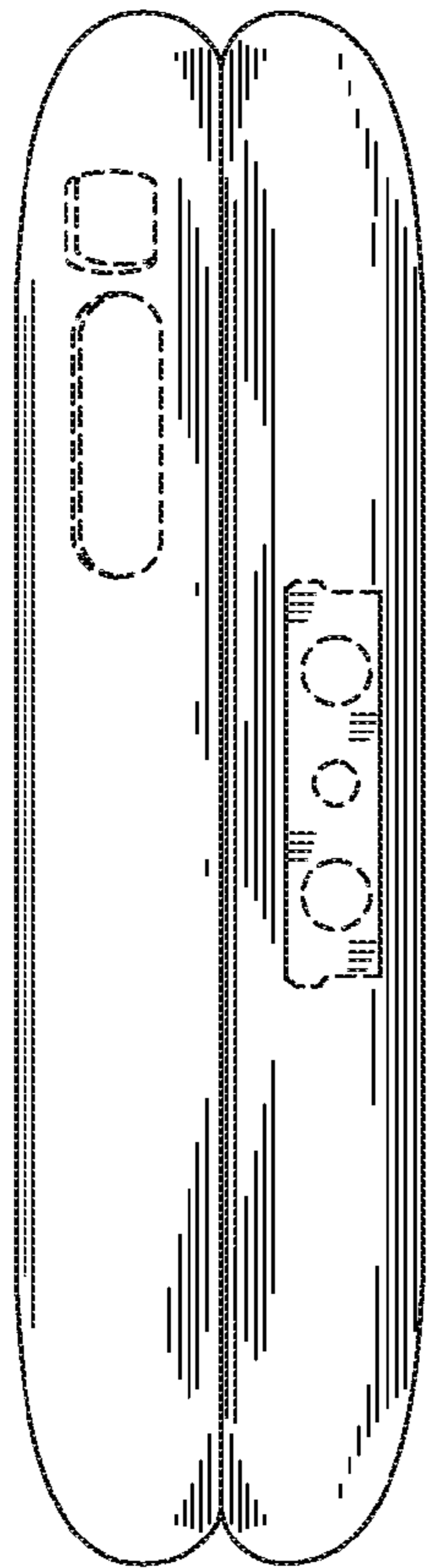


FIG. 4

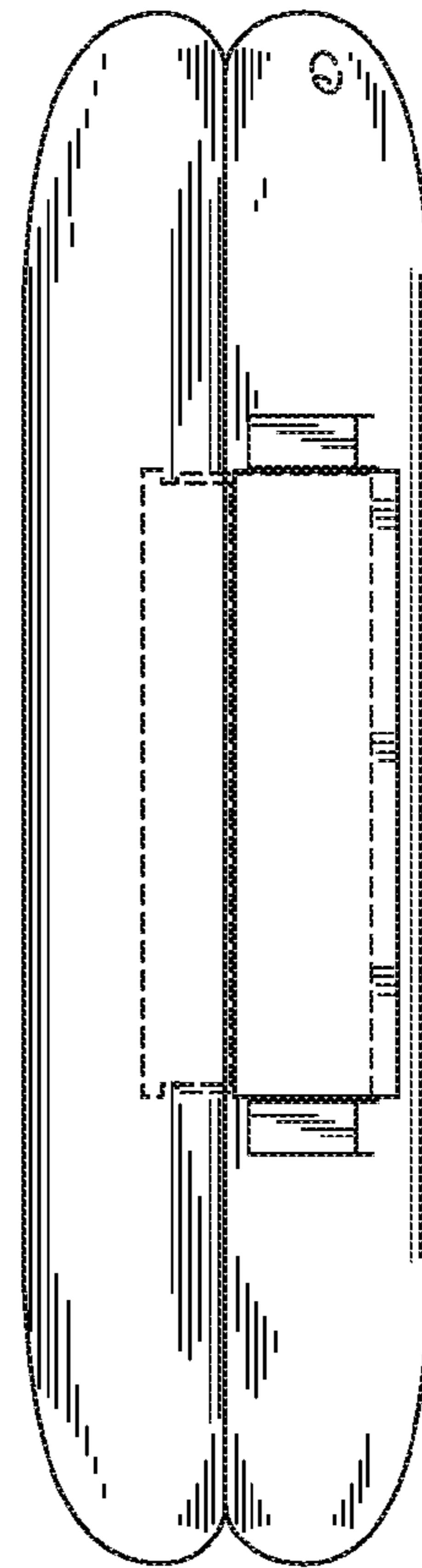


FIG. 5

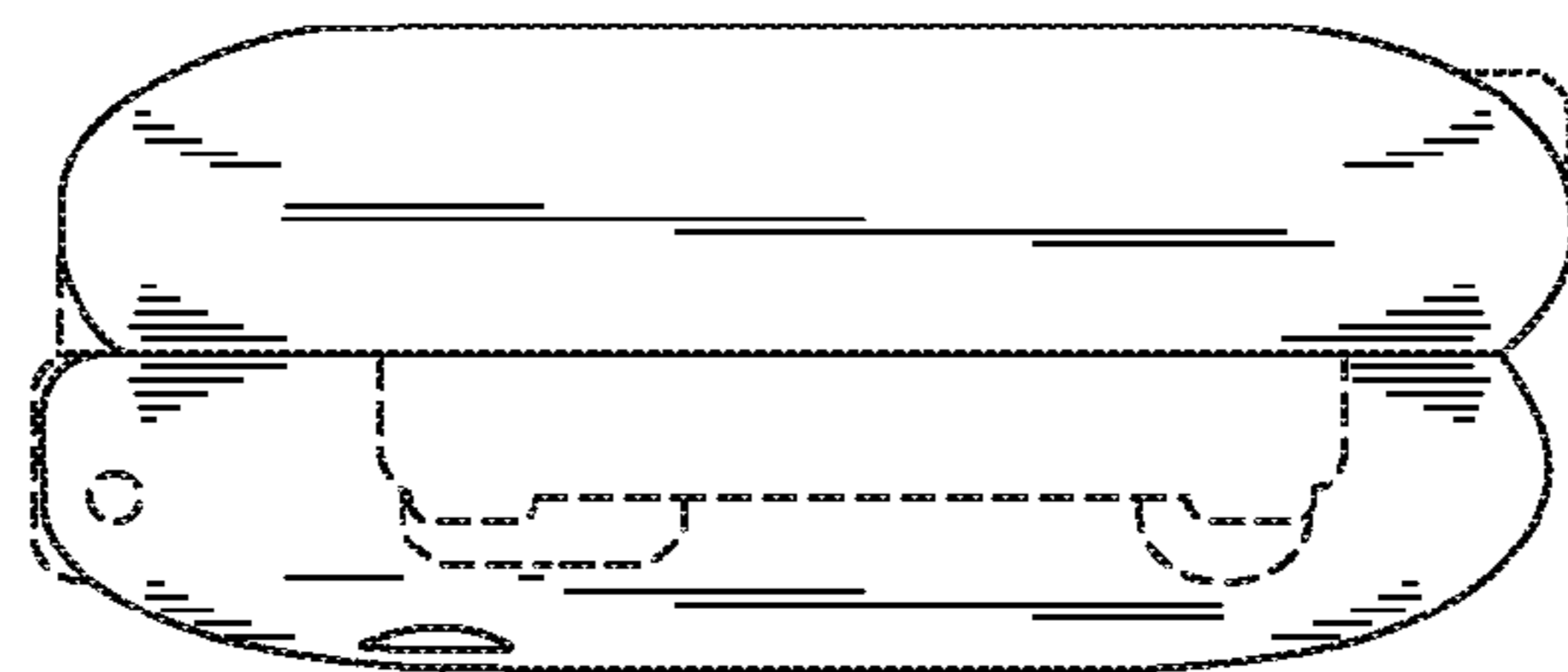


FIG. 6

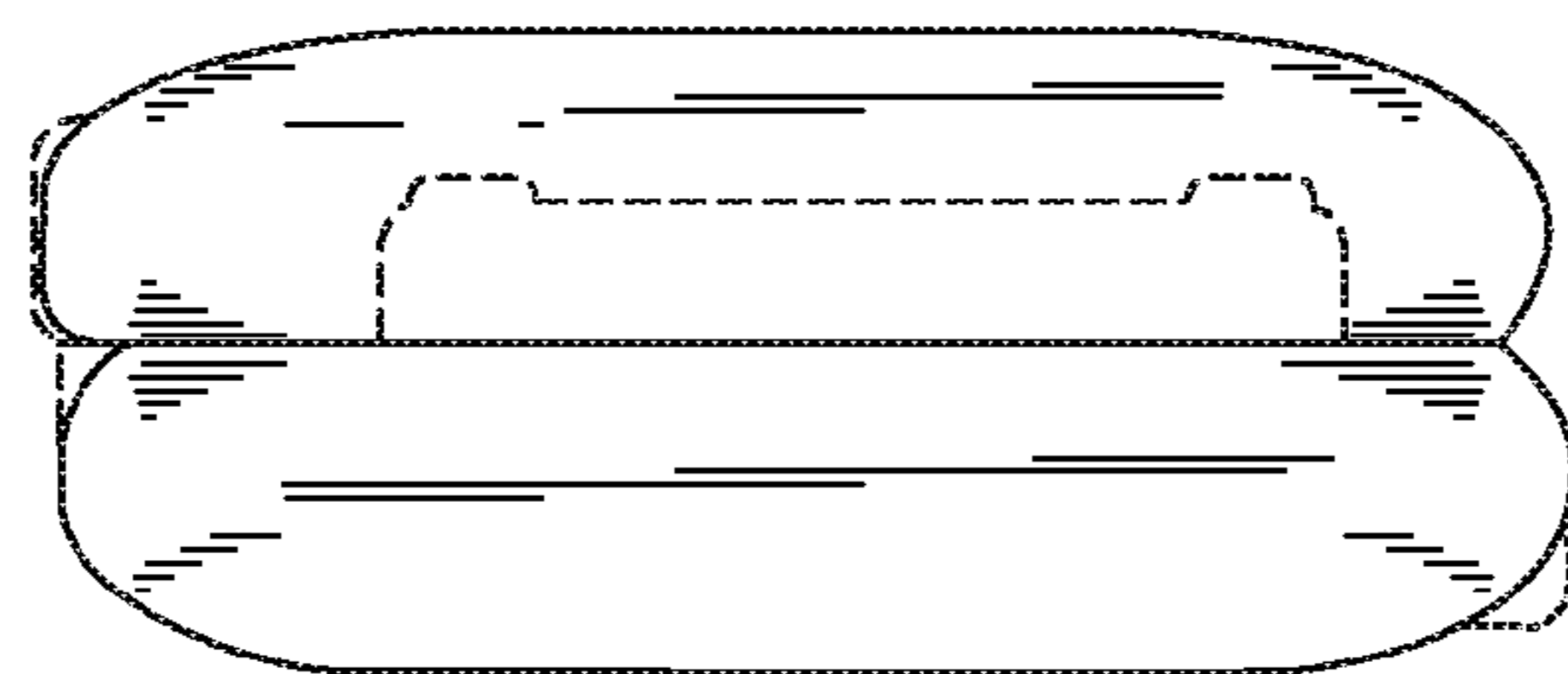


FIG. 7

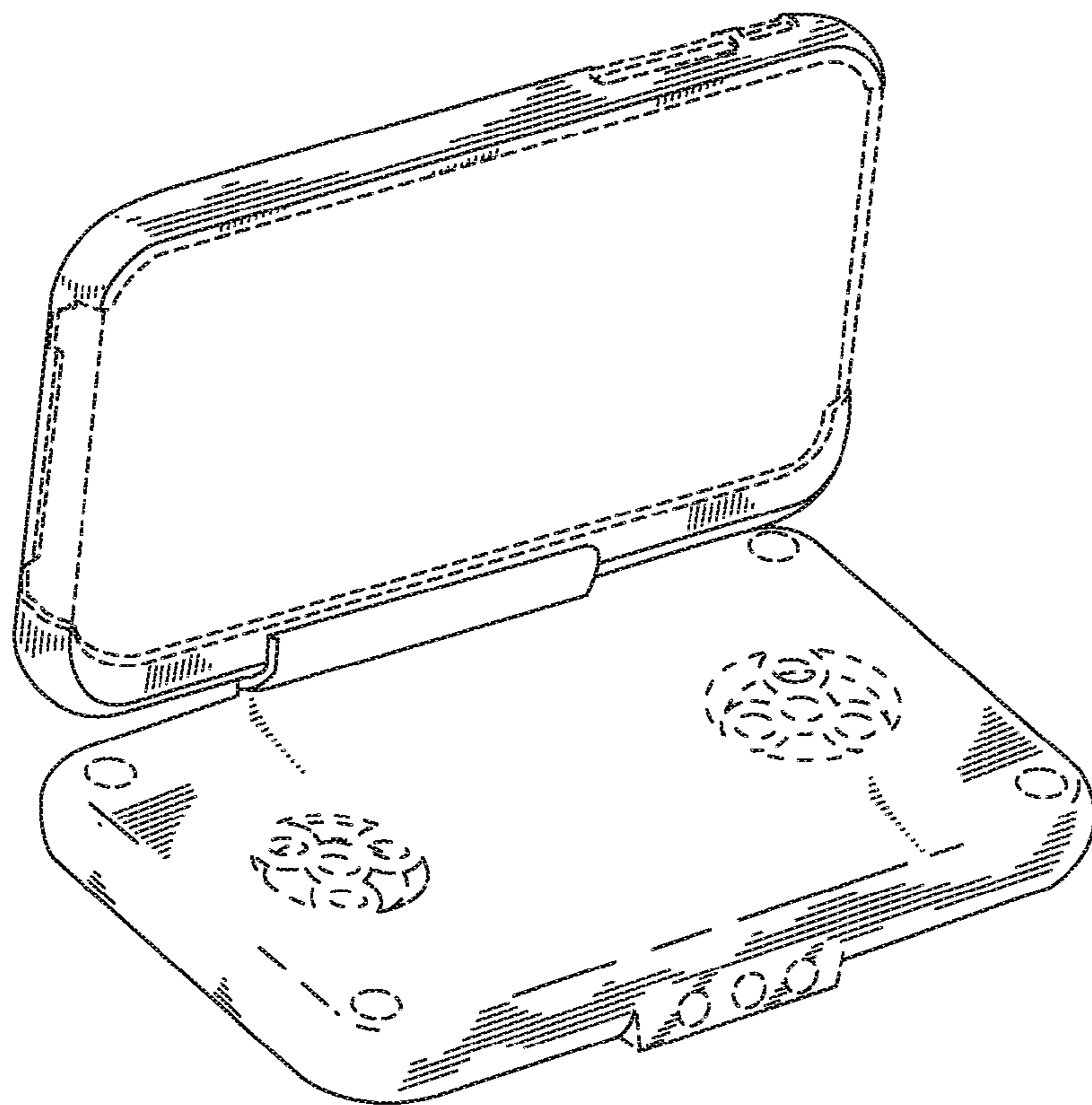


FIG. 8

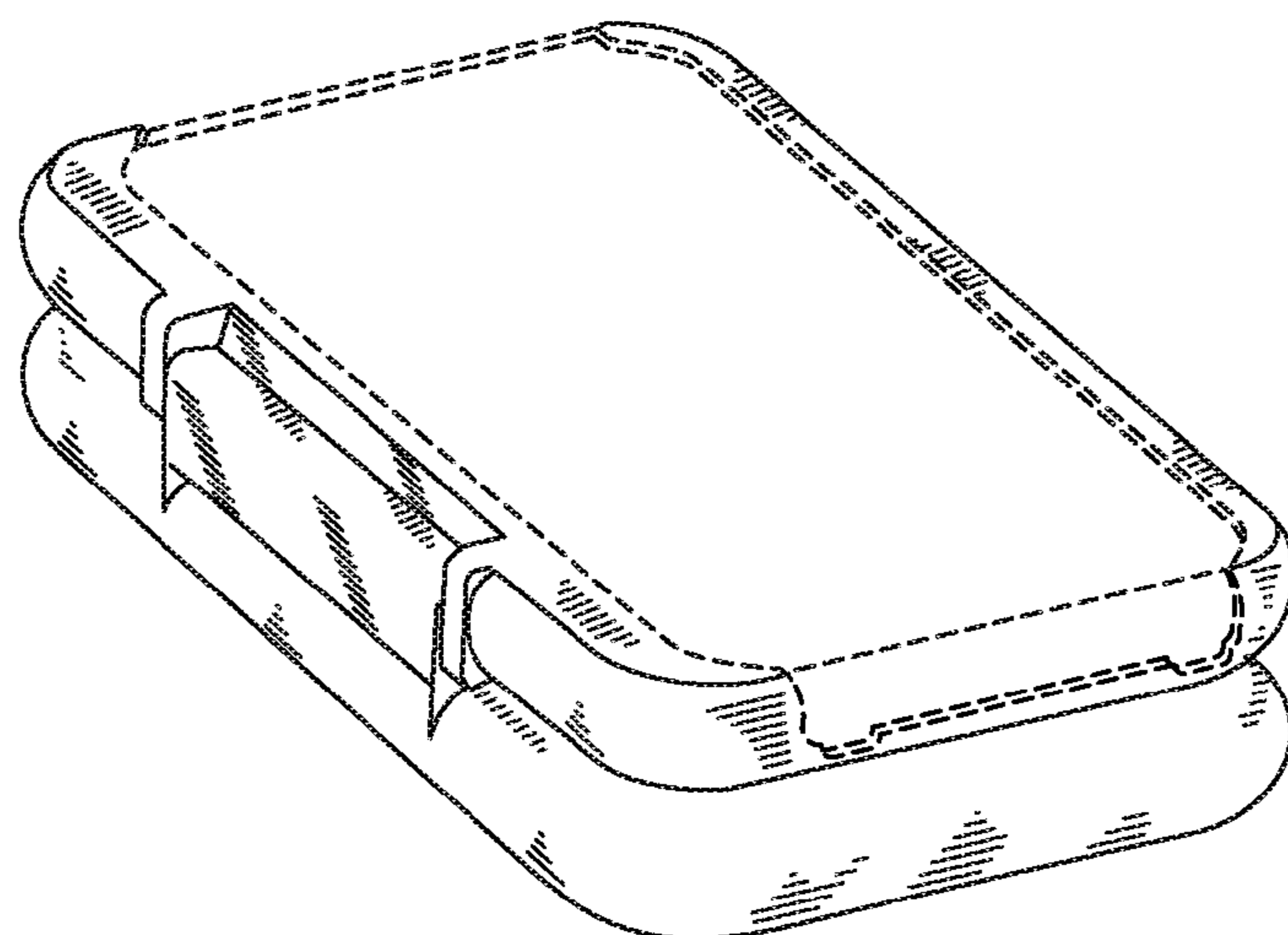


FIG. 9