



US00D647889S

(12) **United States Design Patent**
Huang

(10) **Patent No.:** **US D647,889 S**

(45) **Date of Patent:** **** Nov. 1, 2011**

(54) **EARPHONE**

(76) Inventor: **Cheng-Houng Huang**, Kowloon (HK)

(**) Term: **14 Years**

(21) Appl. No.: **29/382,180**

(22) Filed: **Dec. 30, 2010**

(51) **LOC (9) Cl.** **14-01**

(52) **U.S. Cl.** **D14/223**

(58) **Field of Classification Search** D14/205,
D14/206, 223; 181/129, 130, 135; 379/430,
379/431, 433.01, 433.02, 420.04; 381/380,
381/381; 455/90.3, 575.2

See application file for complete search history.

(56) **References Cited**

U.S. PATENT DOCUMENTS

| | | | | |
|--------------|---------|------------------|-------|---------|
| D512,049 S * | 11/2005 | Yang | | D14/223 |
| D523,846 S * | 6/2006 | Lee | | D14/205 |
| D554,627 S * | 11/2007 | Gondo | | D14/223 |
| D555,152 S * | 11/2007 | Wang | | D14/223 |
| D575,269 S * | 8/2008 | Ledbetter et al. | | D14/205 |
| D593,997 S * | 6/2009 | Mauritzsson | | D14/223 |
| D605,182 S * | 12/2009 | Fagnot | | D14/223 |
| D607,880 S * | 1/2010 | Chung et al. | | D14/223 |

| | | | | |
|--------------|---------|------------|-------|---------|
| D626,948 S * | 11/2010 | Nault | | D14/223 |
| D636,763 S * | 4/2011 | Walter | | D14/223 |
| D637,182 S * | 5/2011 | Lee et al. | | D14/223 |
| D641,010 S * | 7/2011 | Kwon | | D14/223 |
| D641,738 S * | 7/2011 | Perez | | D14/223 |

* cited by examiner

Primary Examiner — Paula Greene

(57) **CLAIM**

The ornamental design for an earphone, as shown and described.

DESCRIPTION

FIG. 1 is a perspective view of an earphone showing my new design;

FIG. 2 is a front view of the embodiment shown in FIG. 1;

FIG. 3 is a rear view of the embodiment shown in FIG. 1;

FIG. 4 is a left side view of the embodiment shown in FIG. 1;

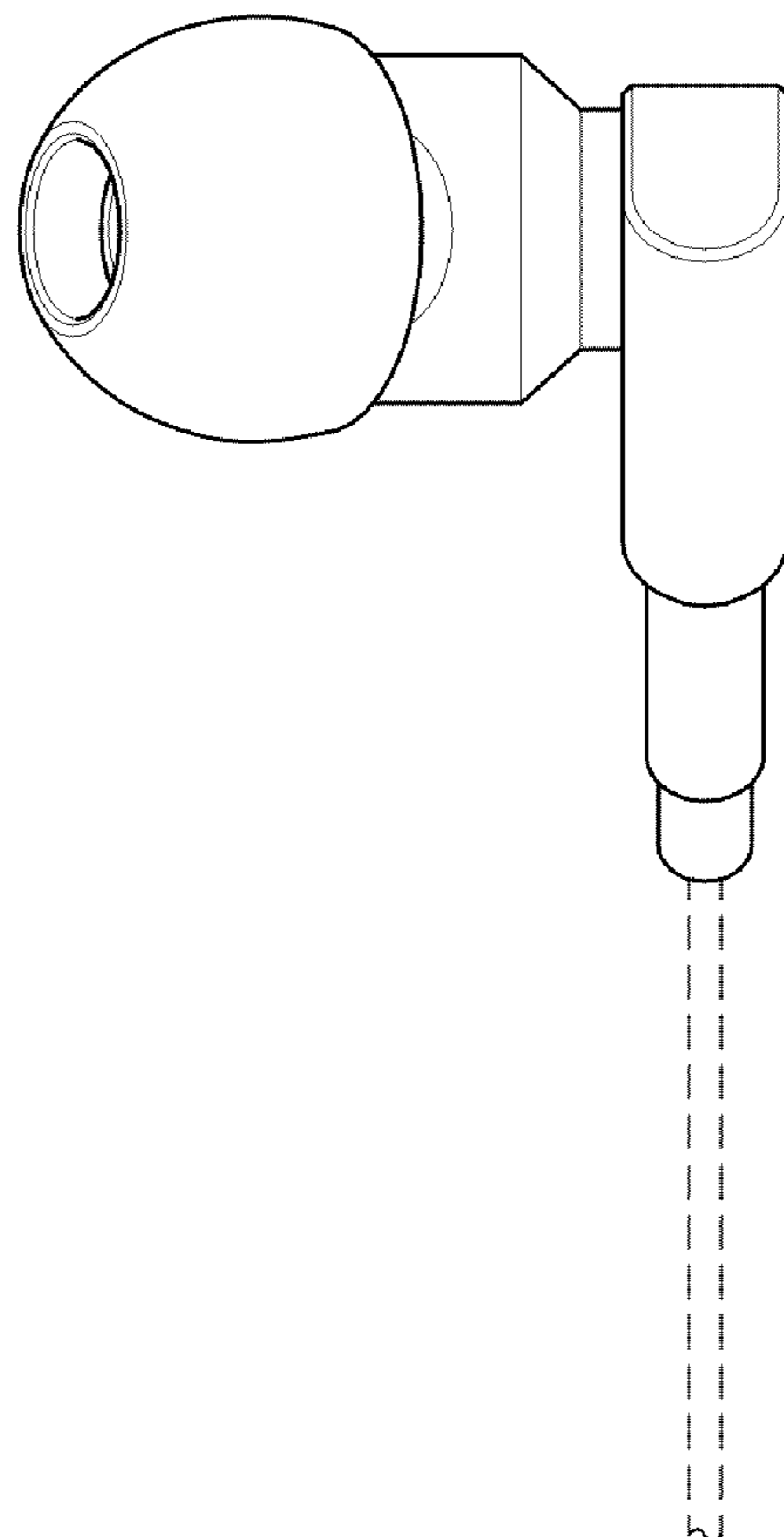
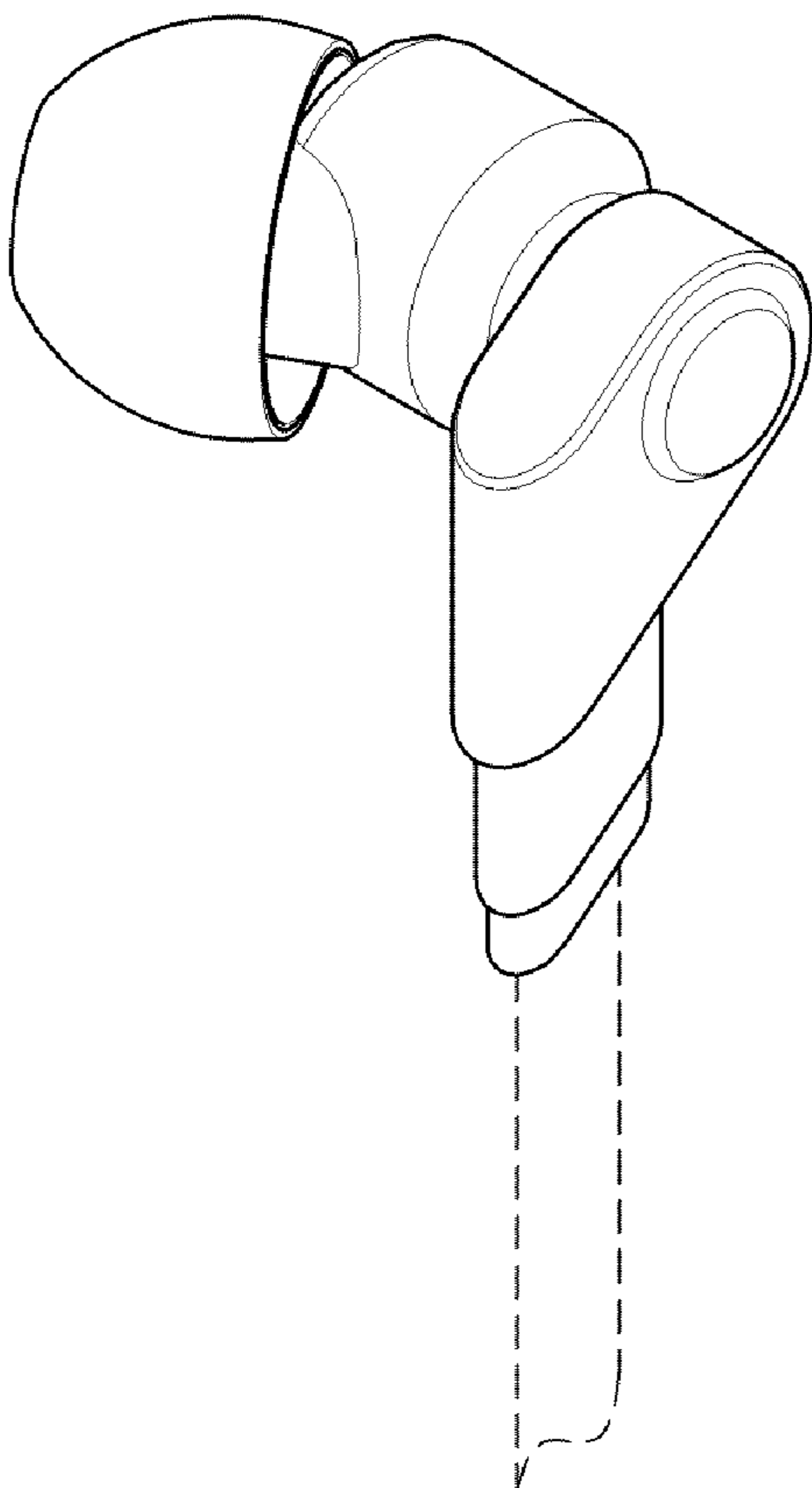
FIG. 5 is a right side view of the embodiment shown in FIG. 1;

FIG. 6 is a top view of the embodiment shown in FIG. 1; and,

FIG. 7 is a bottom view of the embodiment shown in FIG. 1.

The broken lines in FIGS. 1-7 are for illustrative purposes only and form no part of the claimed design.

1 Claim, 4 Drawing Sheets



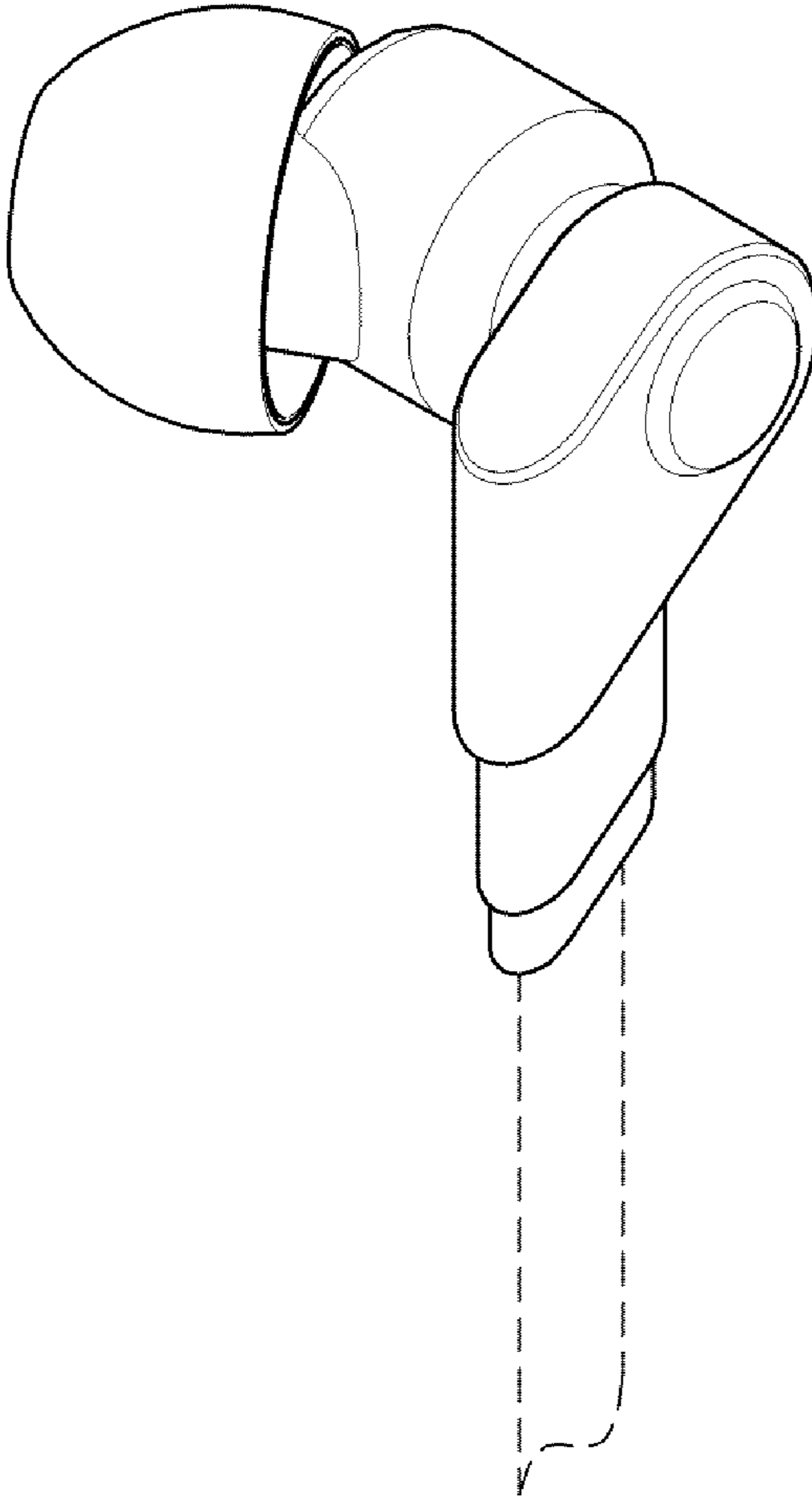


FIG. 1

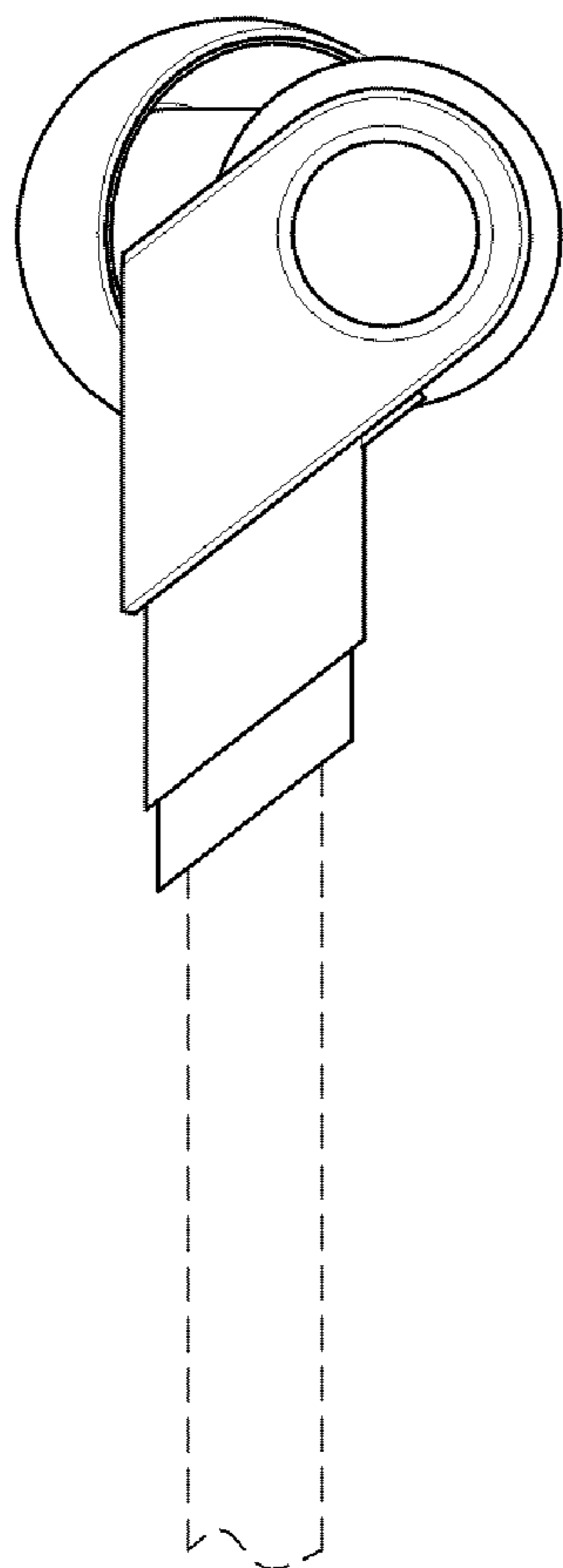


FIG. 2

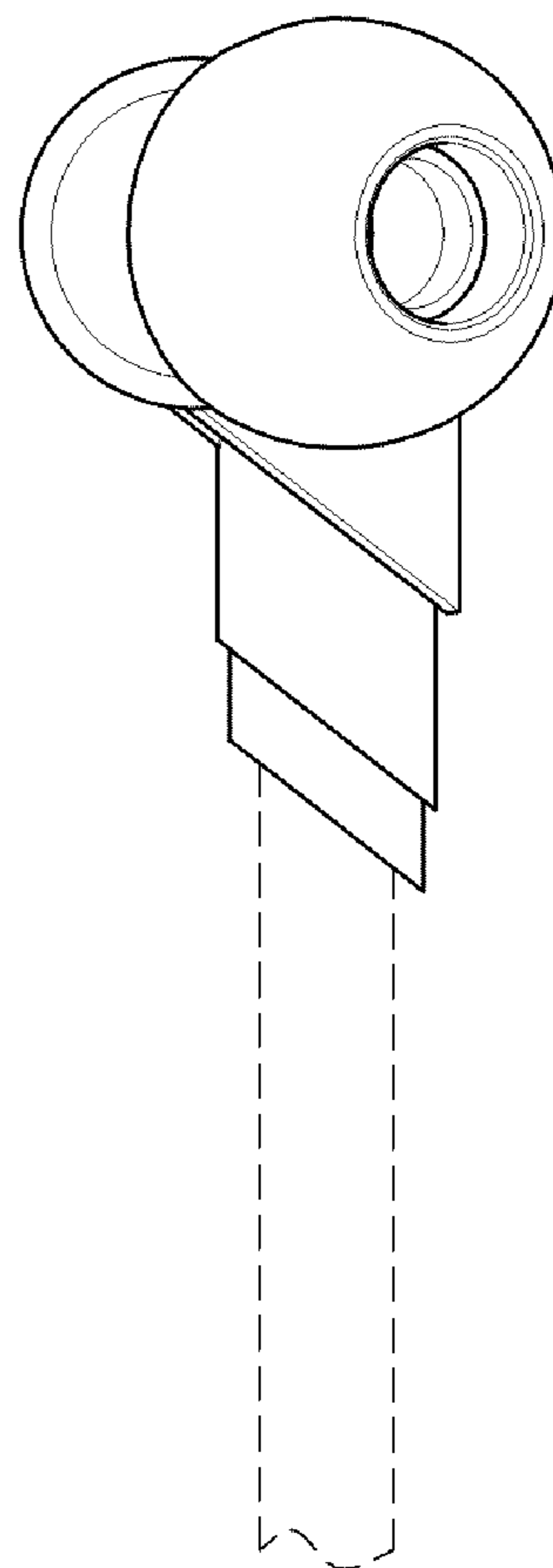


FIG. 3

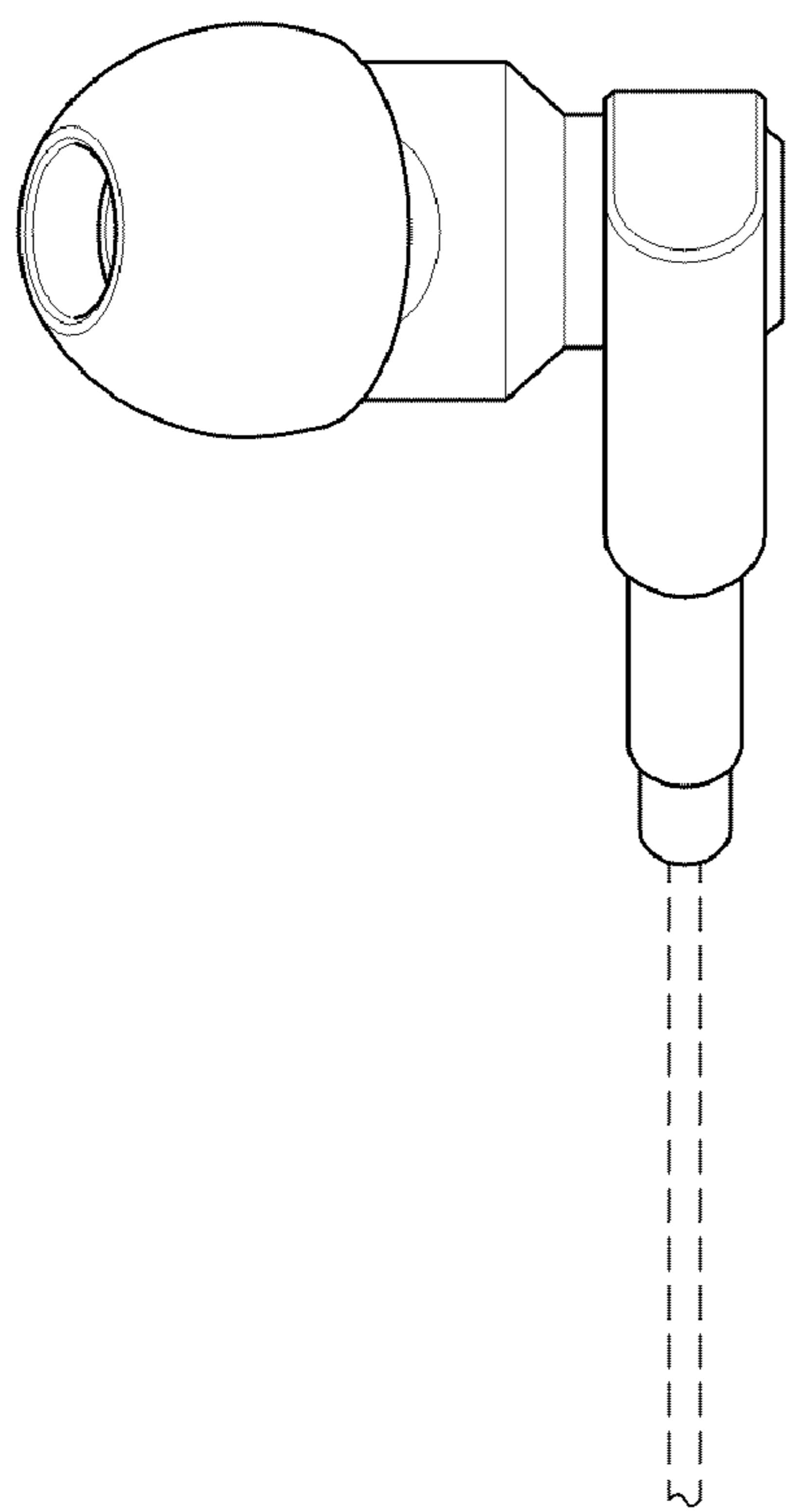


FIG. 4

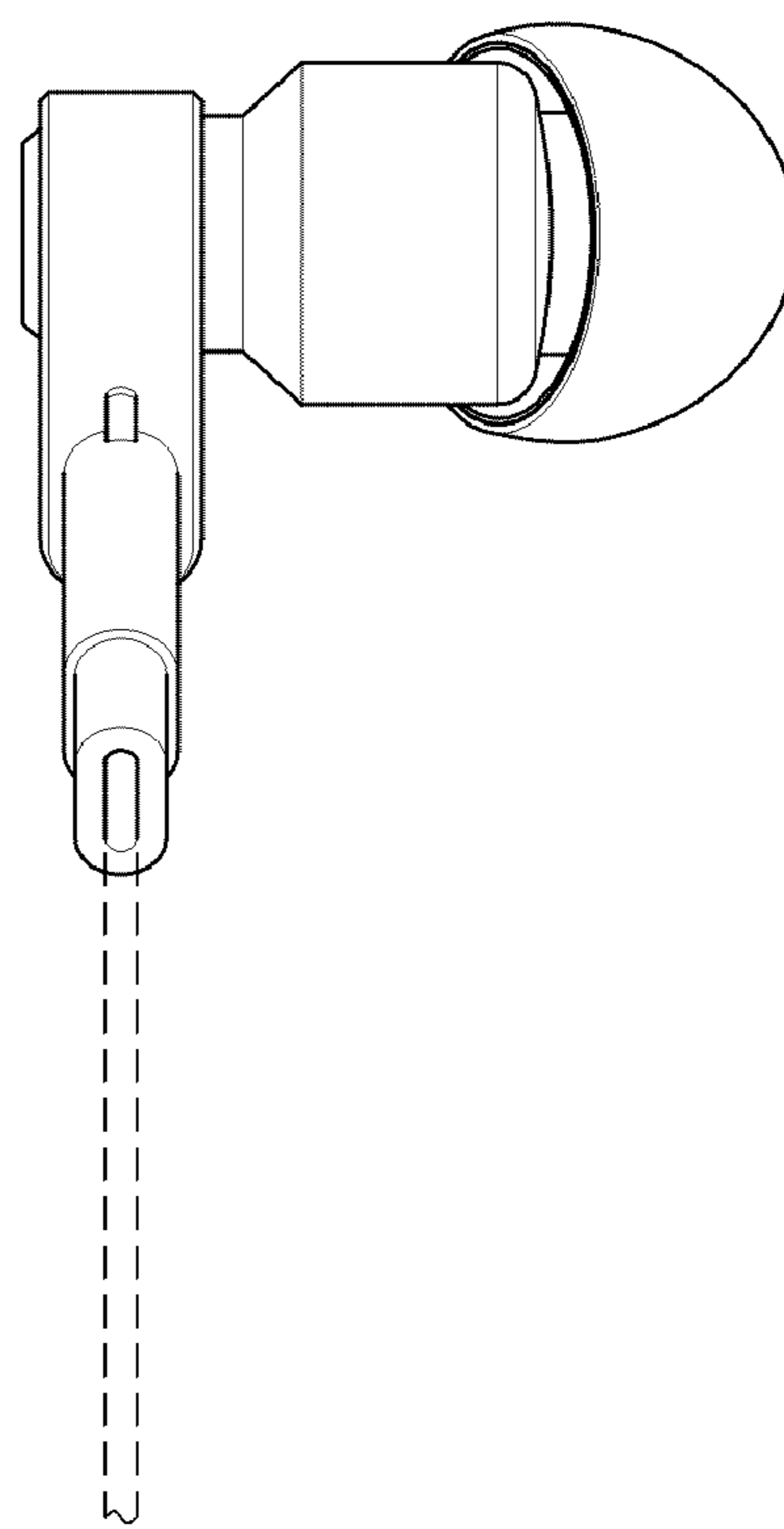


FIG. 5

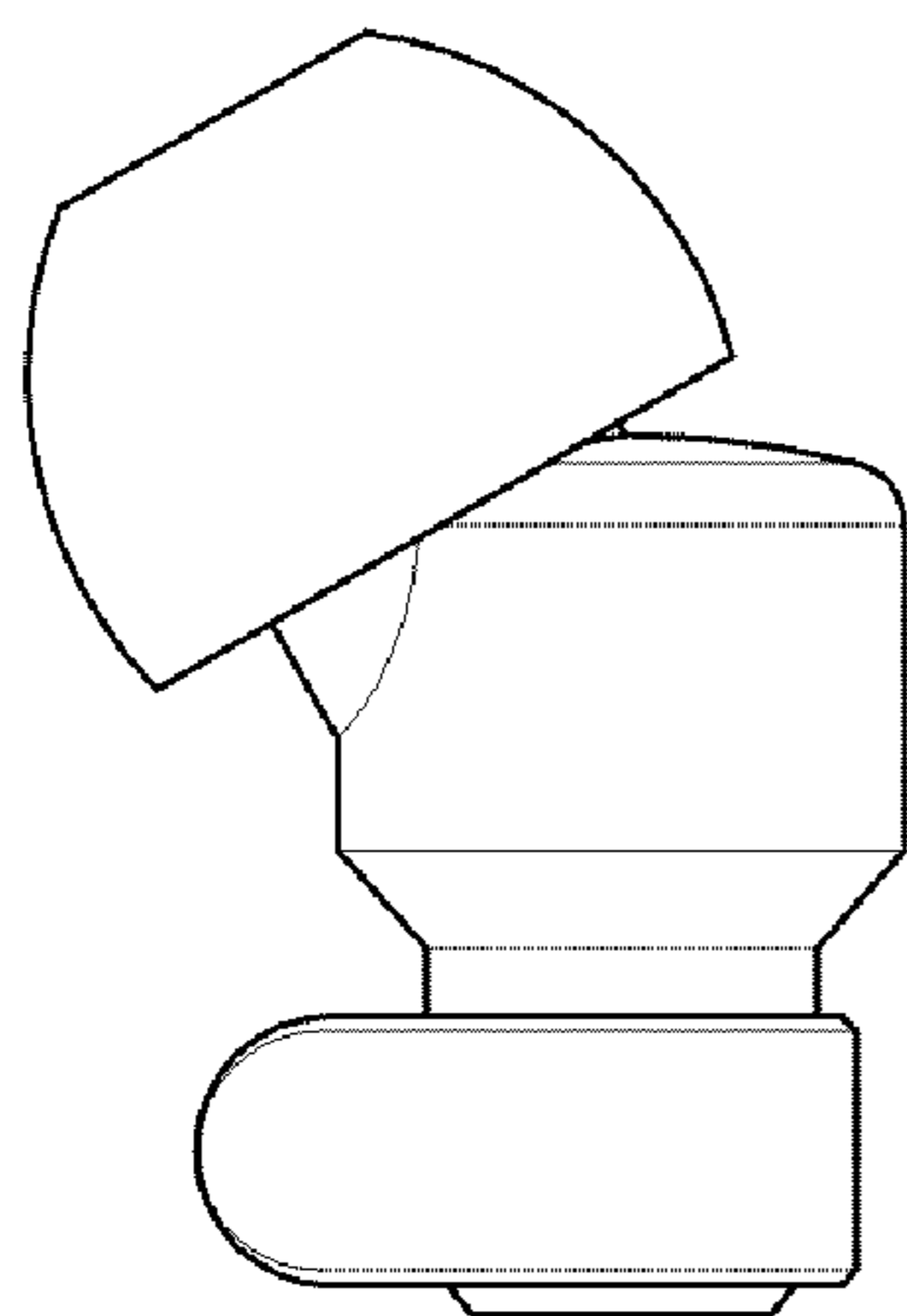


FIG. 6

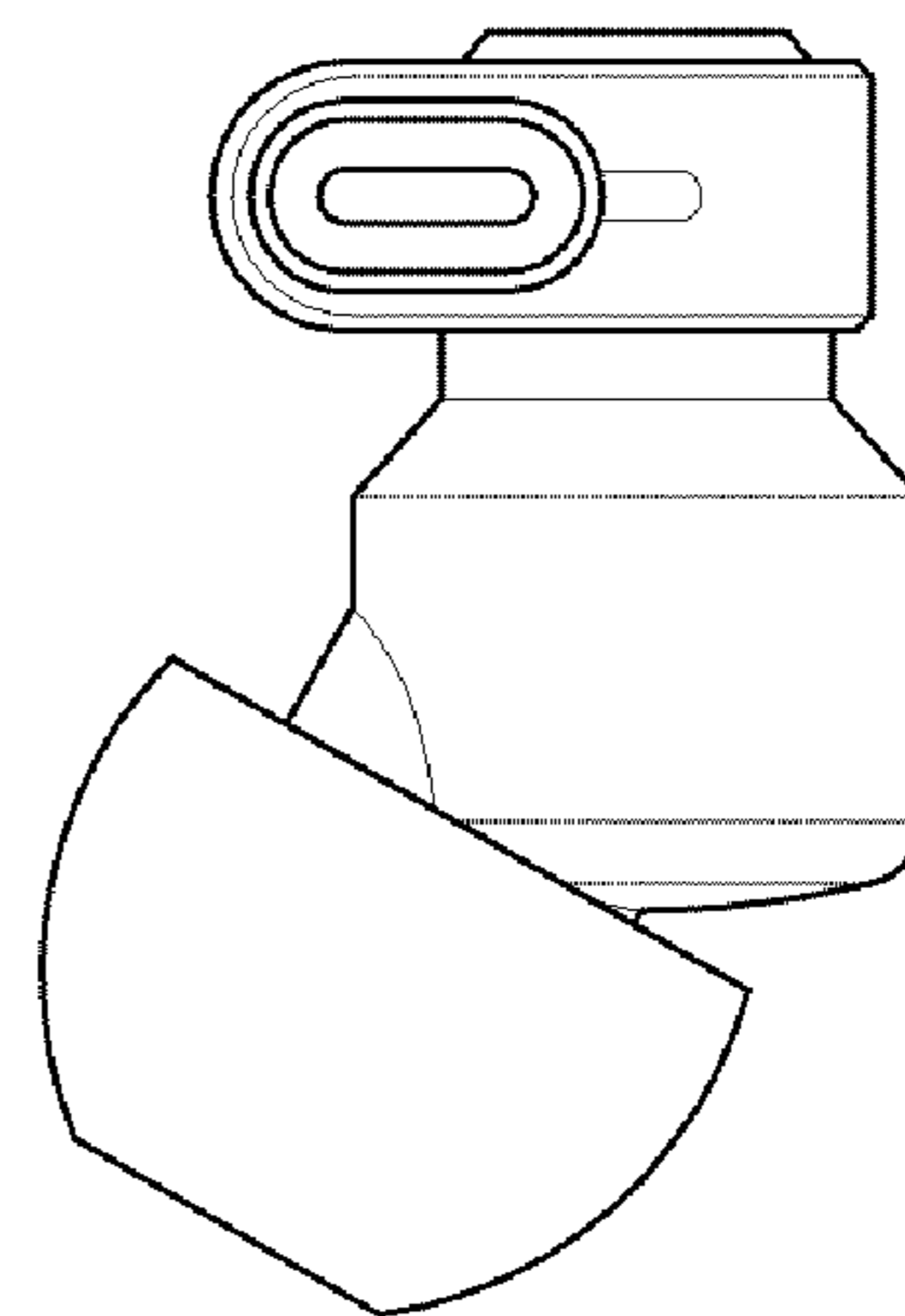


FIG. 7