



US00D647888S

(12) **United States Design Patent**
Katsuraku et al.

(10) **Patent No.:** **US D647,888 S**

(45) **Date of Patent:** **** *Nov. 1, 2011**

(54) **EARPHONE**

(75) Inventors: **Junko Katsuraku**, Tokyo (JP); **Hiromi Inukai**, Tokyo (JP)

(73) Assignee: **Sony Corporation**, Tokyo (JP)

(**) Term: **14 Years**

(21) Appl. No.: **29/371,019**

(22) Filed: **Sep. 15, 2010**

(30) **Foreign Application Priority Data**

Mar. 17, 2010 (JP) D2010-006535

Mar. 17, 2010 (JP) D2010-006536

(51) **LOC (9) Cl.** **14-01**

(52) **U.S. Cl.** **D14/223**

(58) **Field of Classification Search** D14/205,
D14/206, 223; 181/129, 130, 135; 379/430,
379/431, 420.02, 433.02; 381/380, 381;
D24/174; 455/90.3, 575.1, 569.1; D11/16;
63/1.11, 14.1, 20, 22, 23, 26, 27, 28, 29,
63/30, 31, 32, 33

See application file for complete search history.

(56) **References Cited**

U.S. PATENT DOCUMENTS

D37,993 S * 5/1906 Tower D8/82
(Continued)

FOREIGN PATENT DOCUMENTS

JP D1291781 S 1/2007
(Continued)

OTHER PUBLICATIONS

Web page, "MoonJewel, RP-HJF5", <http://panasonic.jp/headphone/hjf5/>, 1 sheet, Panasonic, 2010.

(Continued)

Primary Examiner — Paula Greene

(74) *Attorney, Agent, or Firm* — Rader, Fishman & Grauer PLLC

(57) **CLAIM**

The ornamental design for an earphone, as shown and described.

DESCRIPTION

FIG. 1 is a perspective view of an earphone showing our new design;

FIG. 2 is a front elevational view thereof;

FIG. 3 is a rear elevational view thereof;

FIG. 4 is a top plan view thereof;

FIG. 5 is a bottom plan view thereof;

FIG. 6 is a right side elevational view thereof; and

FIG. 7 is a left side elevational view thereof.

FIG. 8 is an enlarged partial front elevational view thereof along the lines 8-8 and 8'-8' of FIG. 2;

FIG. 9 is an enlarged partial rear elevational view thereof along the lines 9-9 and 9'-9' of FIG. 3;

FIG. 10 is an enlarged partial bottom plan view thereof along the lines 10-10 and 10'-10' of FIG. 5, wherein the cord portion is removed; and

FIG. 11 is an enlarged partial right side elevational view thereof along the lines 11-11 and 11'-11' of FIG. 6.

FIG. 12 is a perspective view of another embodiment of an earphone showing our new design;

FIG. 13 is a front elevational view thereof;

FIG. 14 is a rear elevational view thereof;

FIG. 15 is a top plan view thereof;

FIG. 16 is a bottom plan view thereof;

FIG. 17 is a right side elevational view thereof; and

FIG. 18 is a left side elevational view thereof.

FIG. 19 is an enlarged partial front elevational view thereof along the lines 19-19 and 19'-19' of FIG. 13;

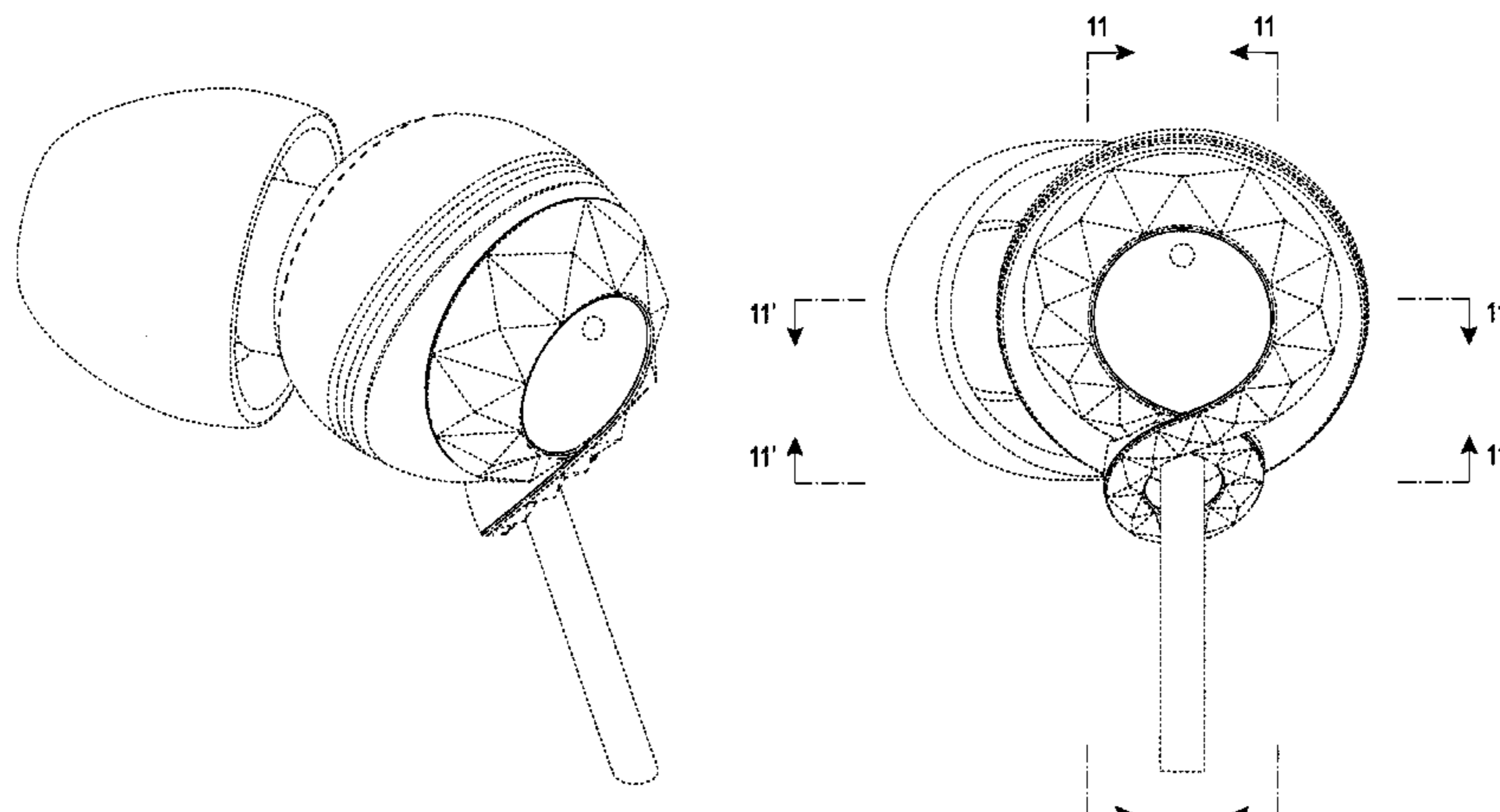
FIG. 20 is an enlarged partial rear elevational view thereof along the lines 20-20 and 20'-20' of FIG. 14;

FIG. 21 is an enlarged partial bottom plan view thereof along the lines 21-21 and 21'-21' of FIG. 16, wherein the cord portion is removed; and

FIG. 22 is an enlarged partial right side elevational view thereof along the lines 22-22 and 22'-22' of FIG. 17.

Portions in broken lines are for illustrative purposes only and form no part of claimed design.

1 Claim, 22 Drawing Sheets



US D647,888 S

Page 2

U.S. PATENT DOCUMENTS

1,353,822 A * 9/1920 Dover 63/28
1,566,845 A * 12/1925 Fairbrother 63/38
2,117,823 A * 5/1938 Placco 63/20
D166,621 S * 4/1952 Philippe D11/16
3,177,682 A * 4/1965 Razza 63/20
D369,555 S * 5/1996 Heinz D9/545
D431,553 S 10/2000 Suzuki
D485,548 S 1/2004 Obata
D487,077 S 2/2004 Obata
D587,681 S * 3/2009 Yanai D14/205
D589,493 S * 3/2009 Densho D14/206
D591,721 S * 5/2009 Densho D14/205
D591,722 S * 5/2009 Densho D14/205
D594,365 S * 6/2009 Grassi Damiani D11/16
D600,675 S * 9/2009 Lee et al. D14/205
D602,905 S 10/2009 Morisawa
D606,971 S * 12/2009 Christopher et al. D14/205
D611,934 S * 3/2010 Schaefer D14/223
D618,670 S * 6/2010 Tahara D14/223
D623,630 S * 9/2010 Ohori et al. D14/223
D627,338 S * 11/2010 Koss et al. D14/223

D633,086 S * 2/2011 Chen D14/223
D637,181 S * 5/2011 Fuller et al. D14/223
D637,585 S * 5/2011 Nagayama et al. D14/223

FOREIGN PATENT DOCUMENTS

JP D1303981 S 6/2007
JP D1303982 S 6/2007
JP D1320729 S 2/2008
JP D1320900 S 2/2008
JP D1350661 S 2/2009
JP D1350662 S 2/2009
JP D1350663 S 2/2009
JP D1363779 S 6/2009
JP D1363780 S 6/2009

OTHER PUBLICATIONS

Web page, "Classy Jewel, RP-HJF7", <http://panasonic.jp/head-phone/hjf7/>, 2 sheets, Panasonic, 2010.

Web page, "Urbane Sweet, HP-FXP5, HP-FXP3", http://www.jvc-victor.co.jp/accessory/inner_sp/fxp5_3/index.html, 1 sheet, JVC, 2009.

* cited by examiner

FIG.1

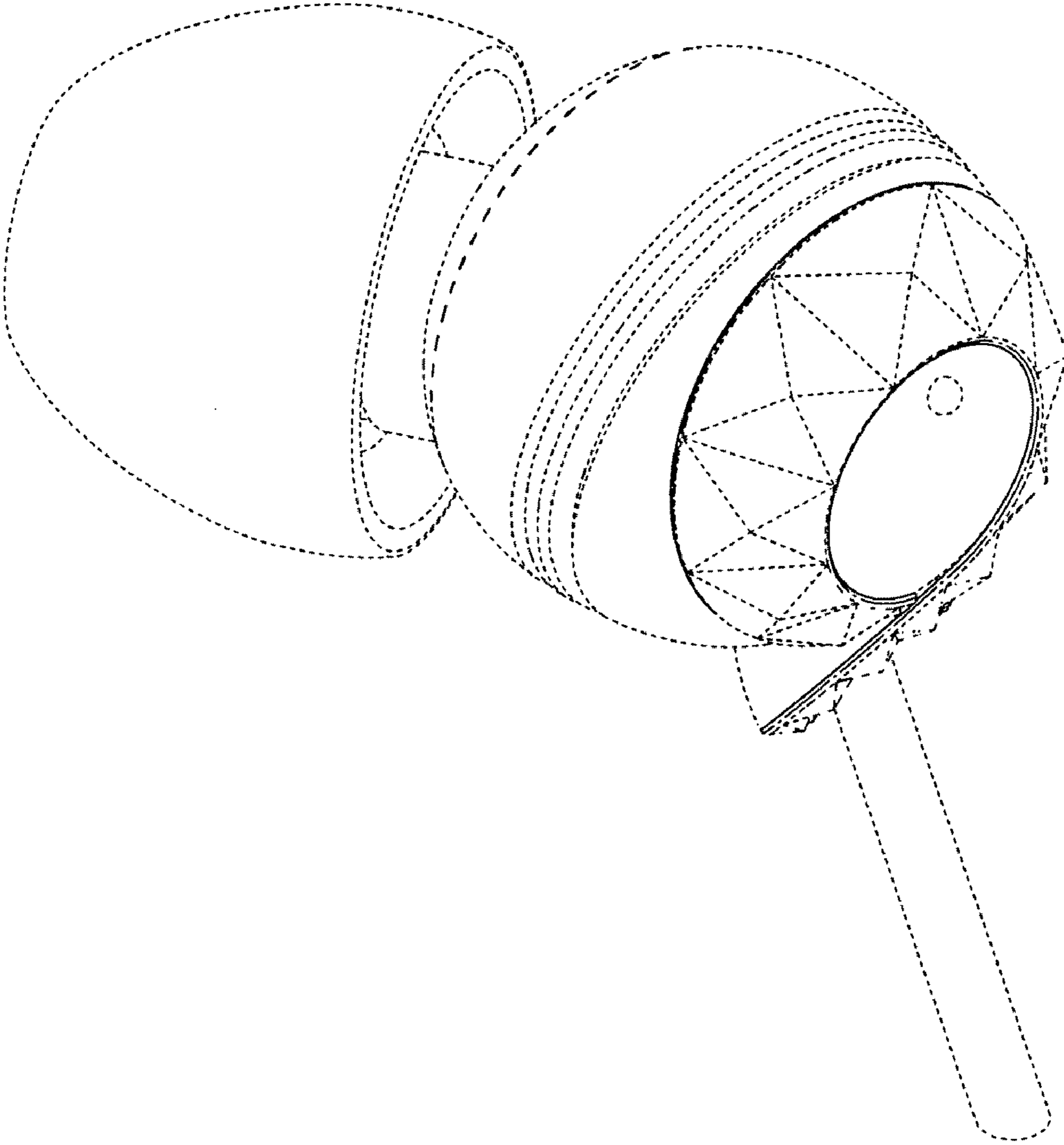


FIG.2

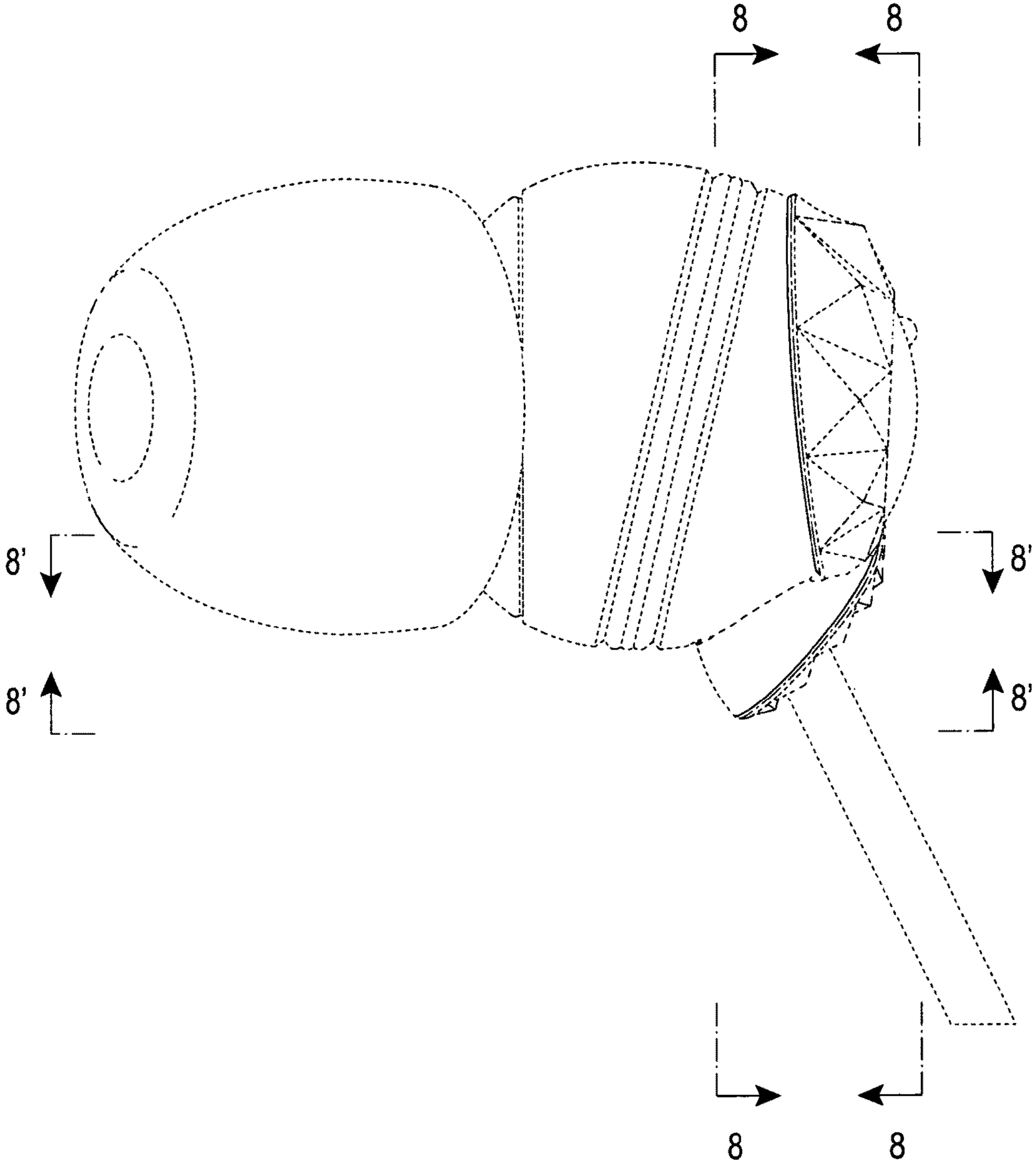


FIG.3

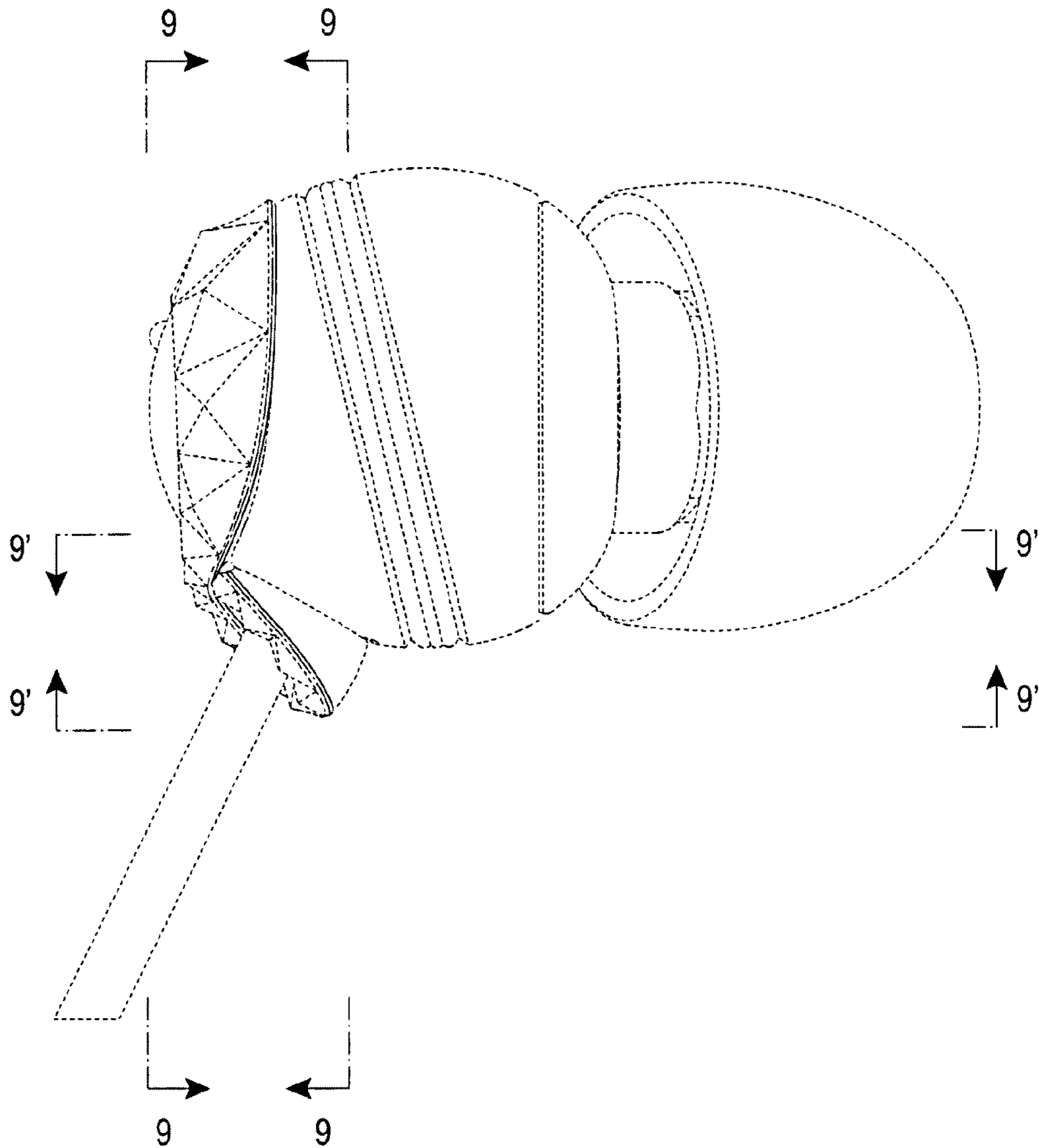


FIG.4

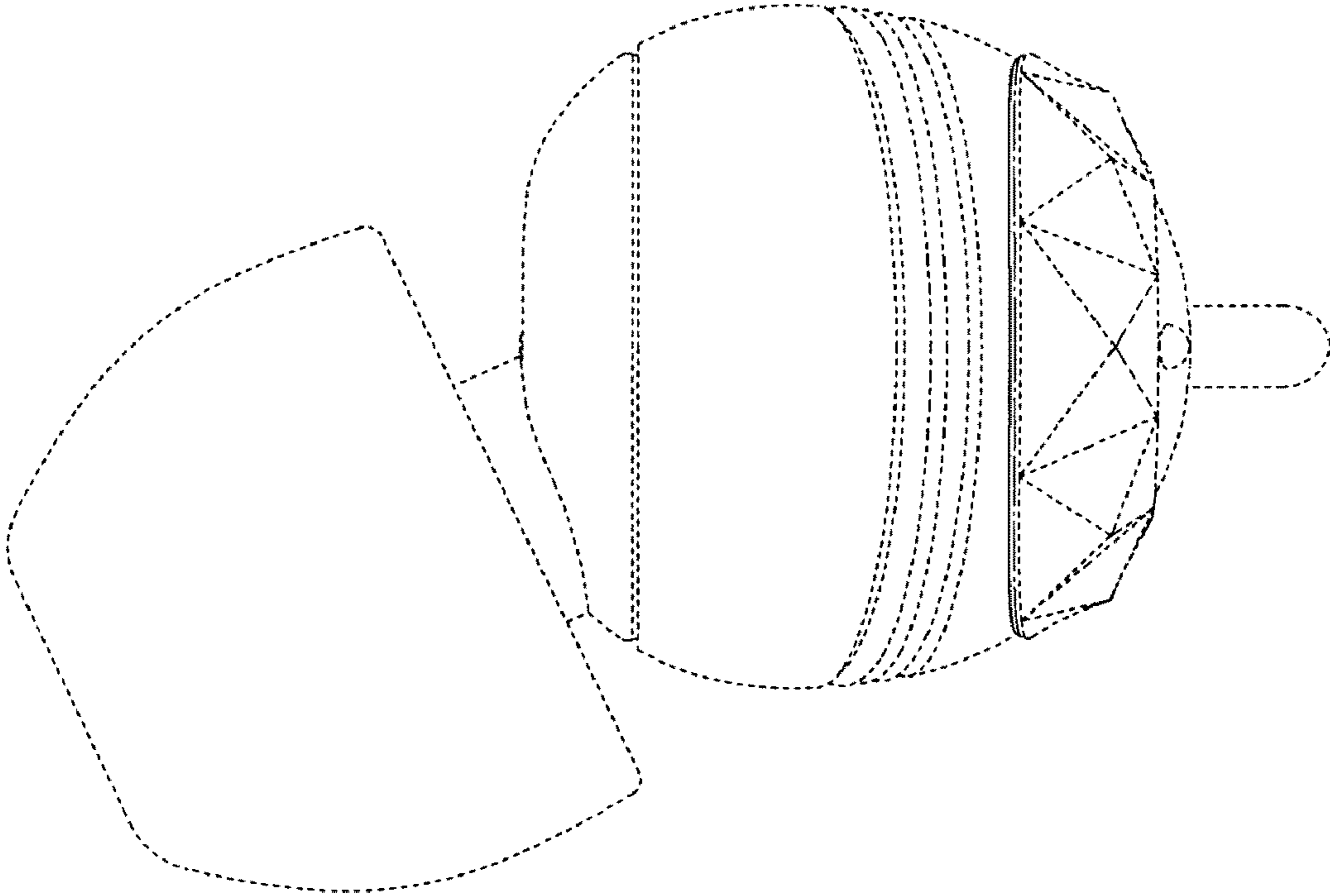


FIG.5

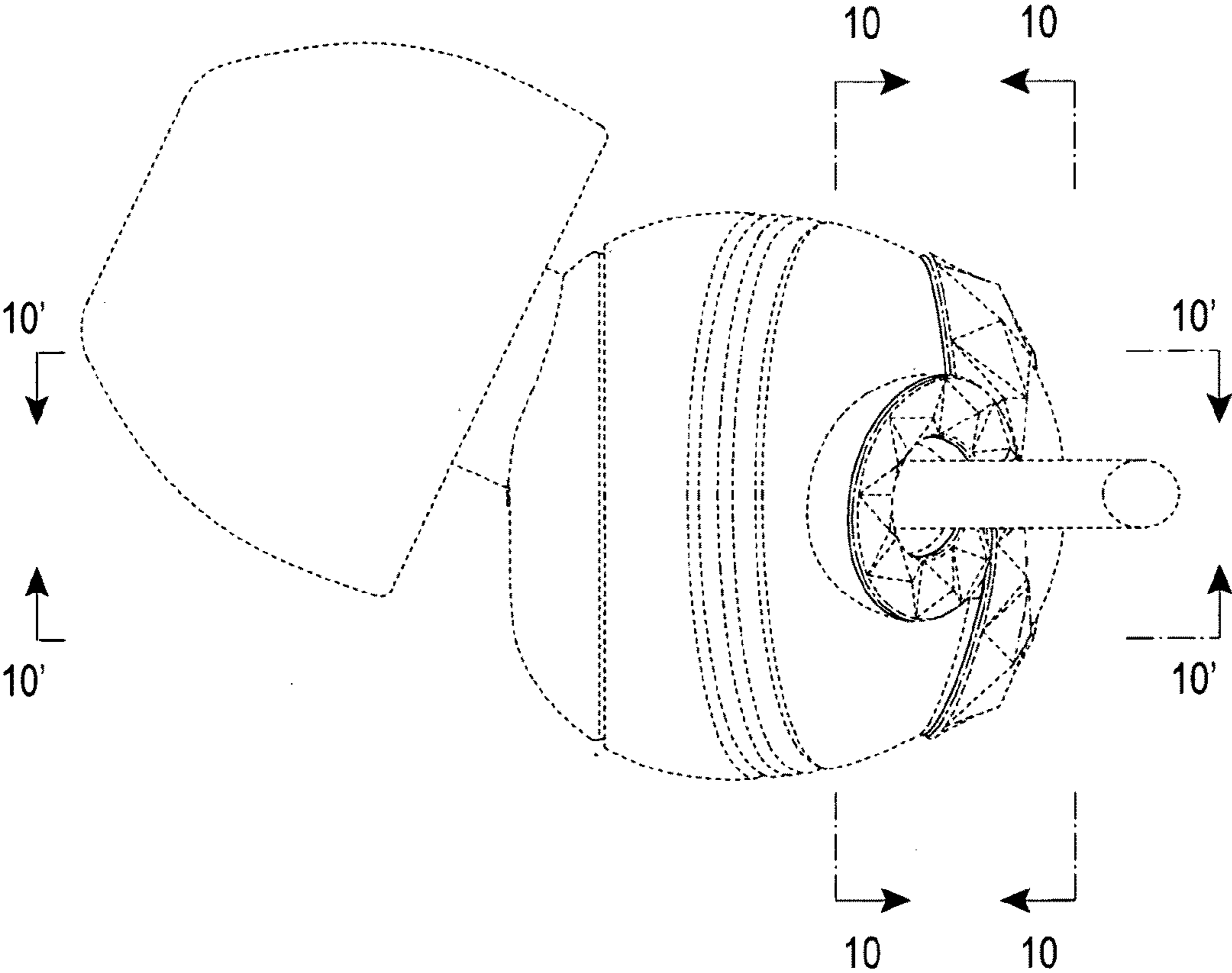


FIG.6

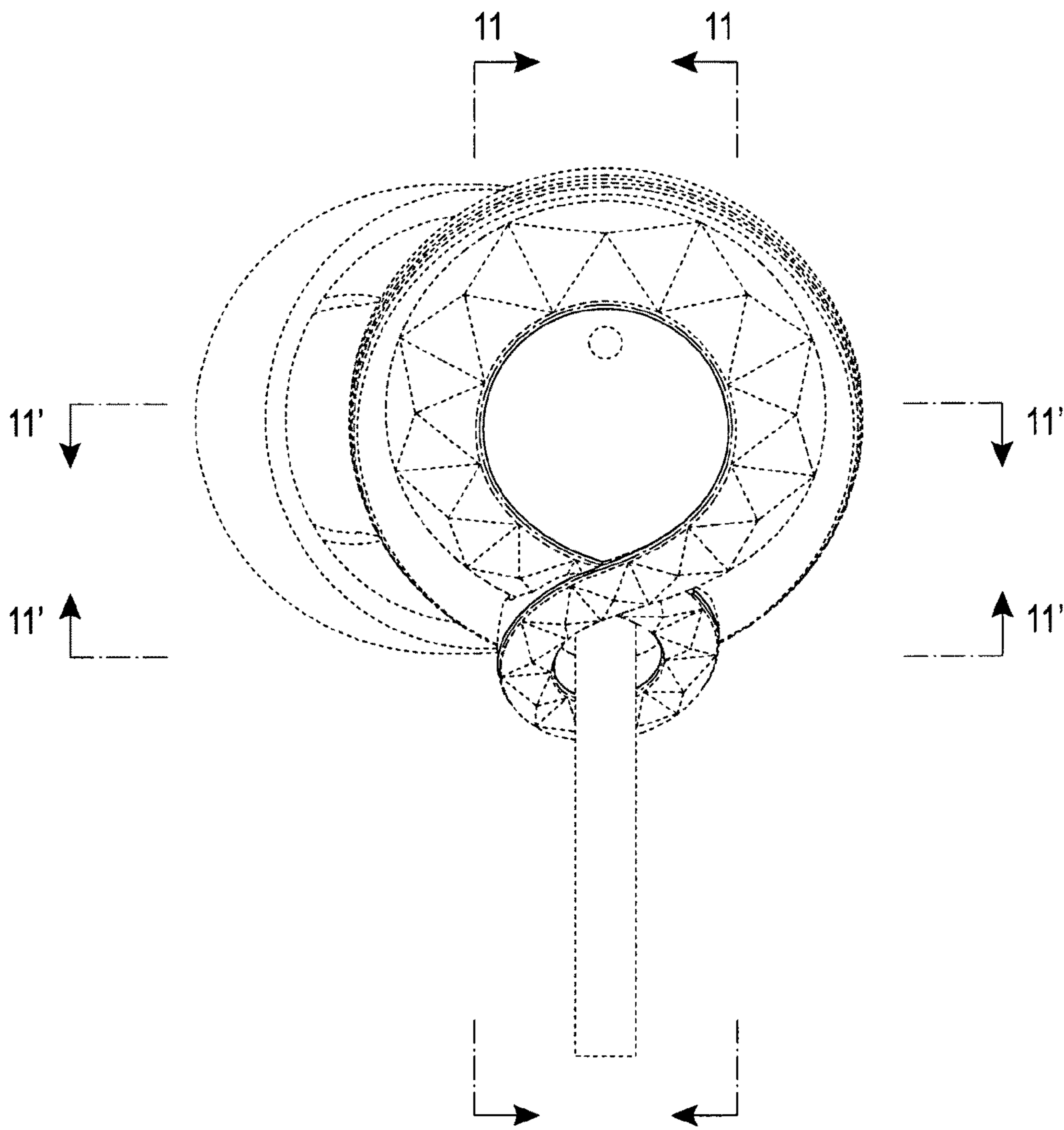


FIG.7

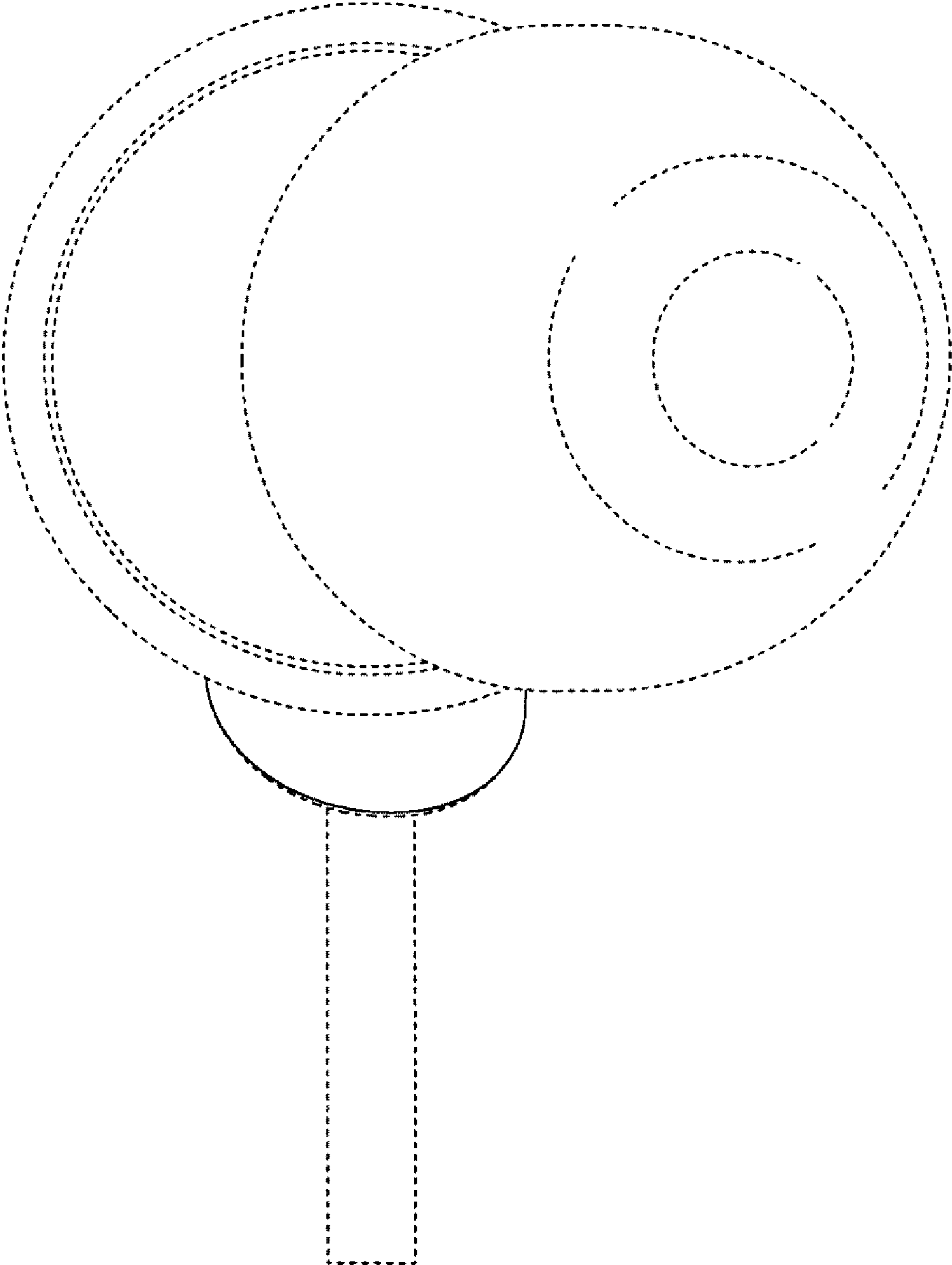


FIG.8

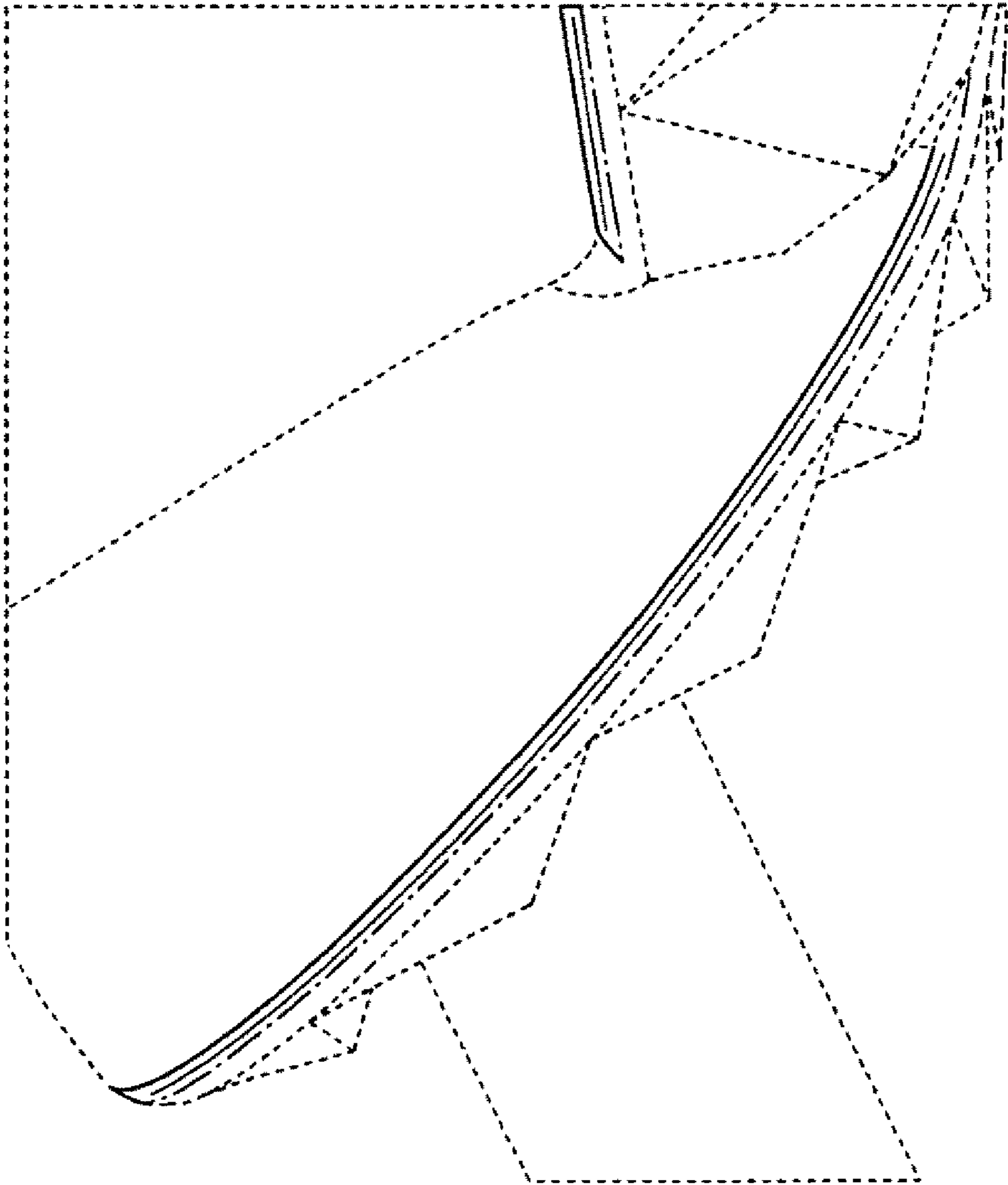


FIG.9

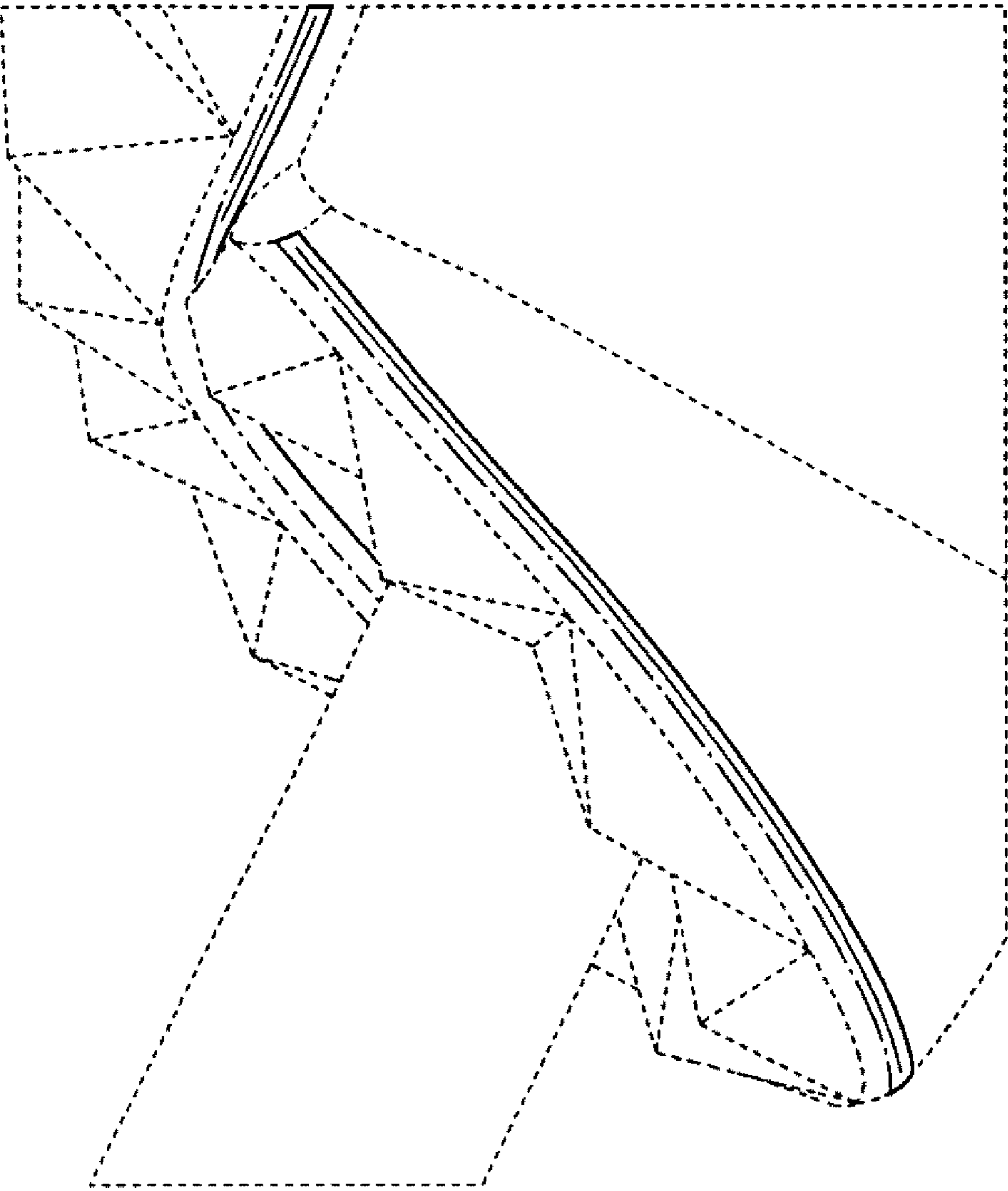


FIG. 10

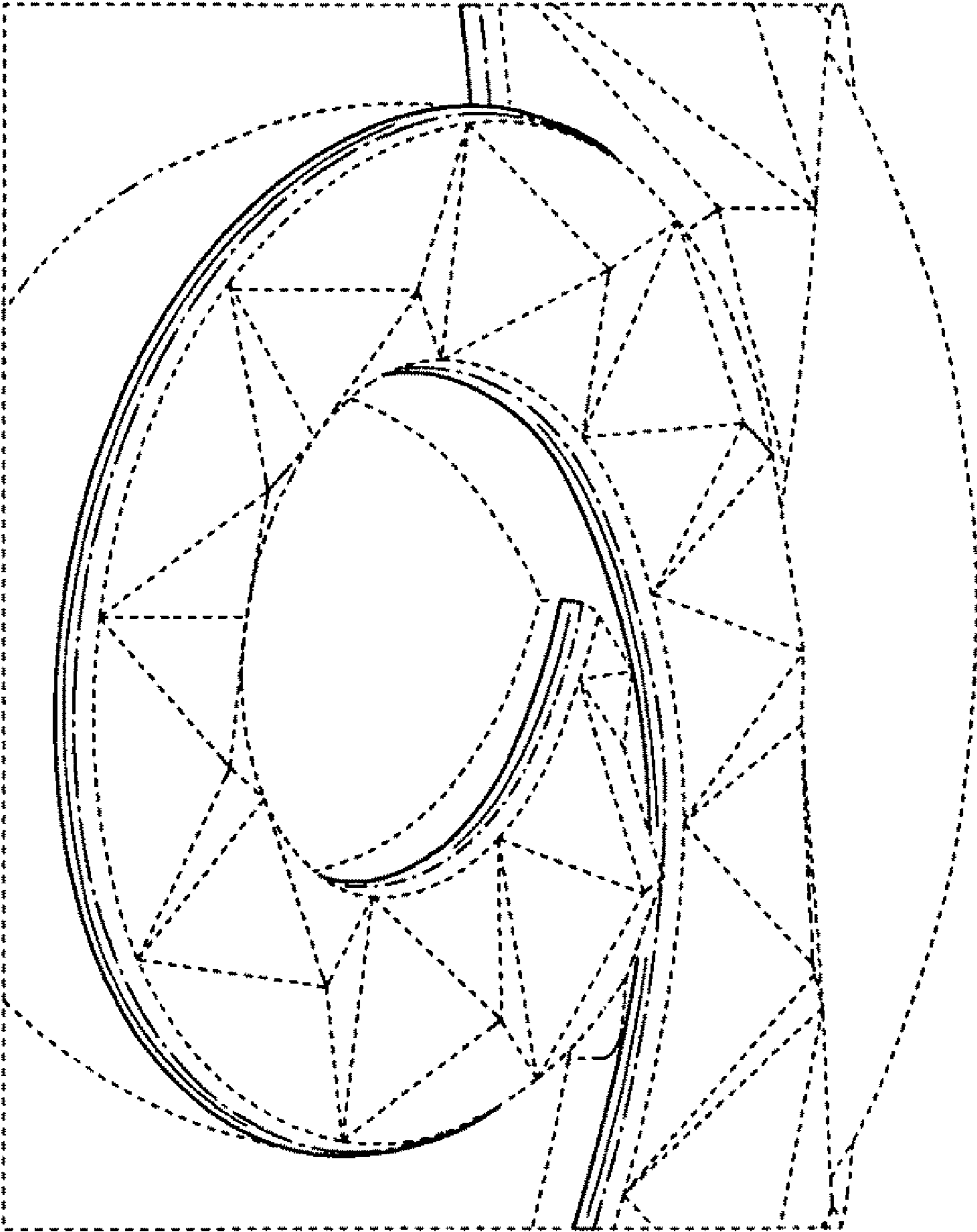


FIG. 11

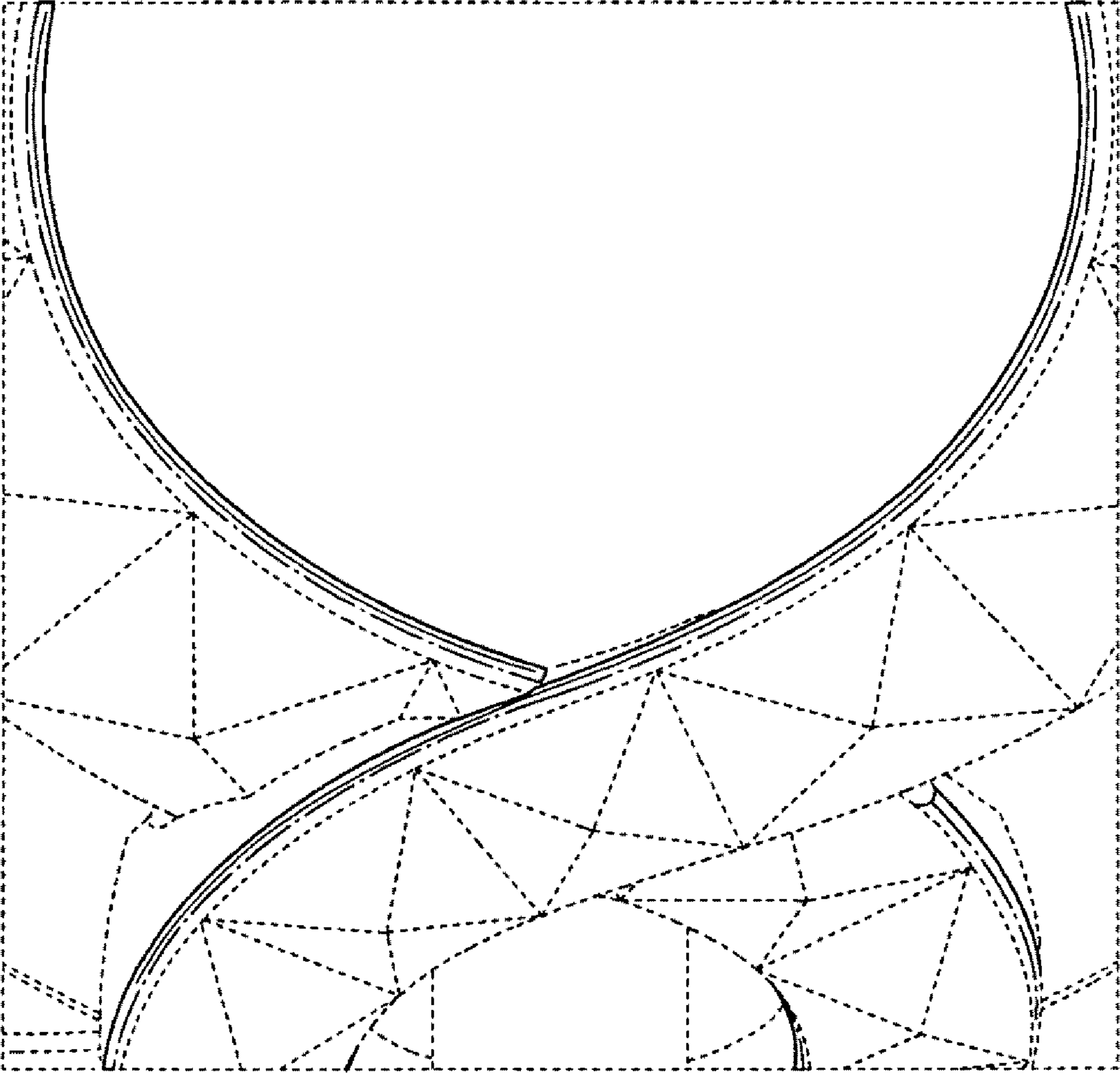


FIG.12

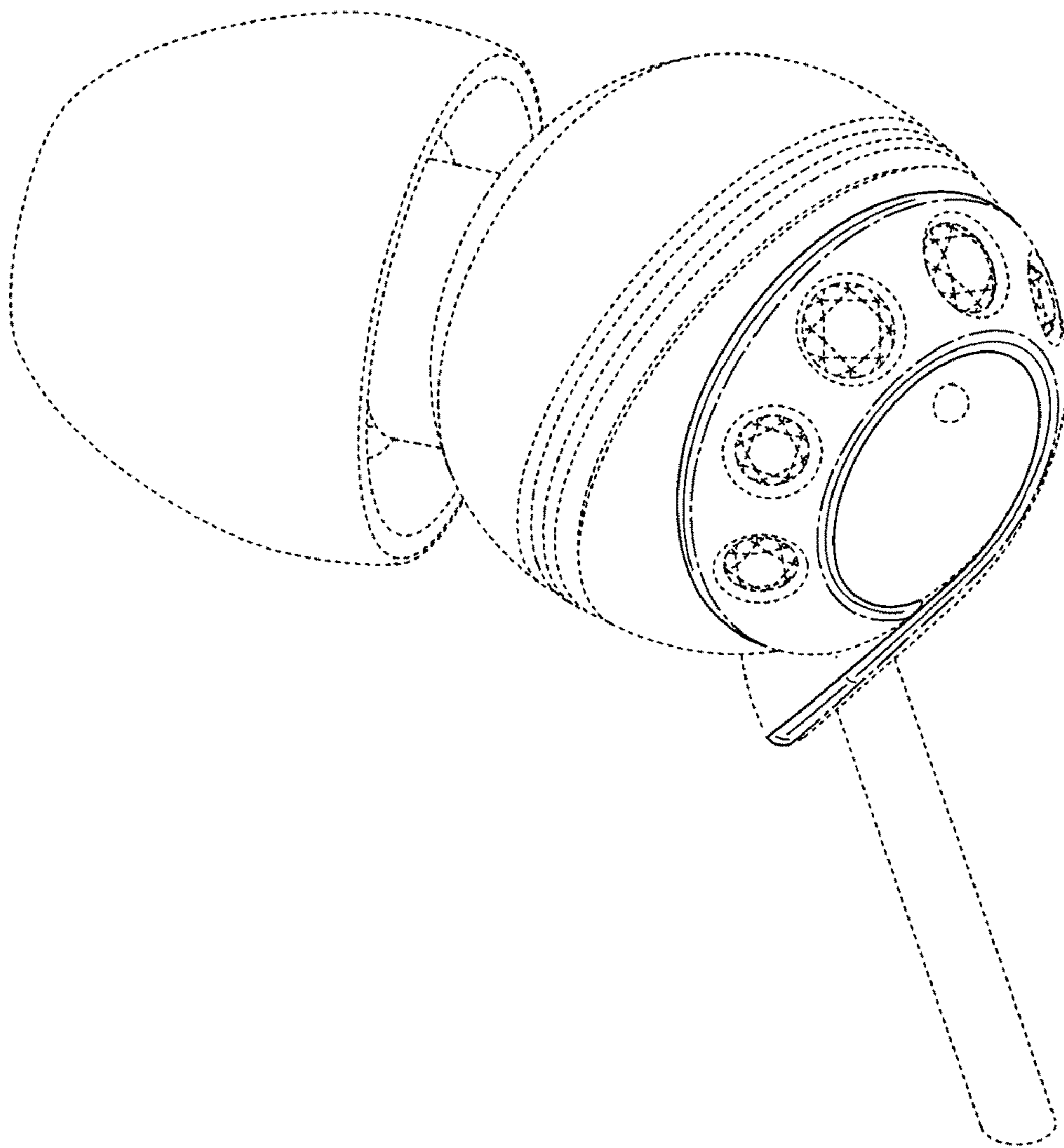


FIG. 13

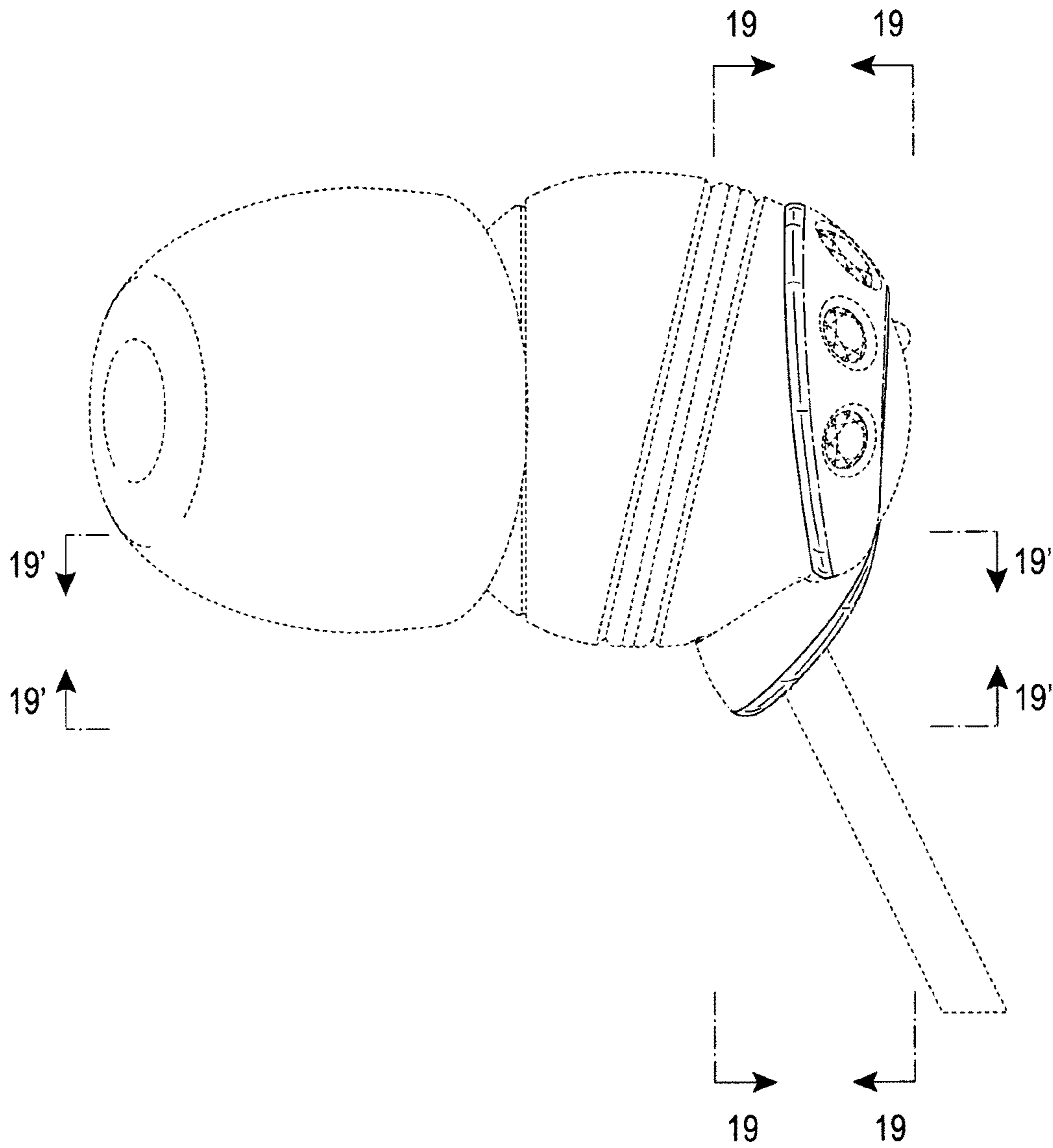


FIG.14

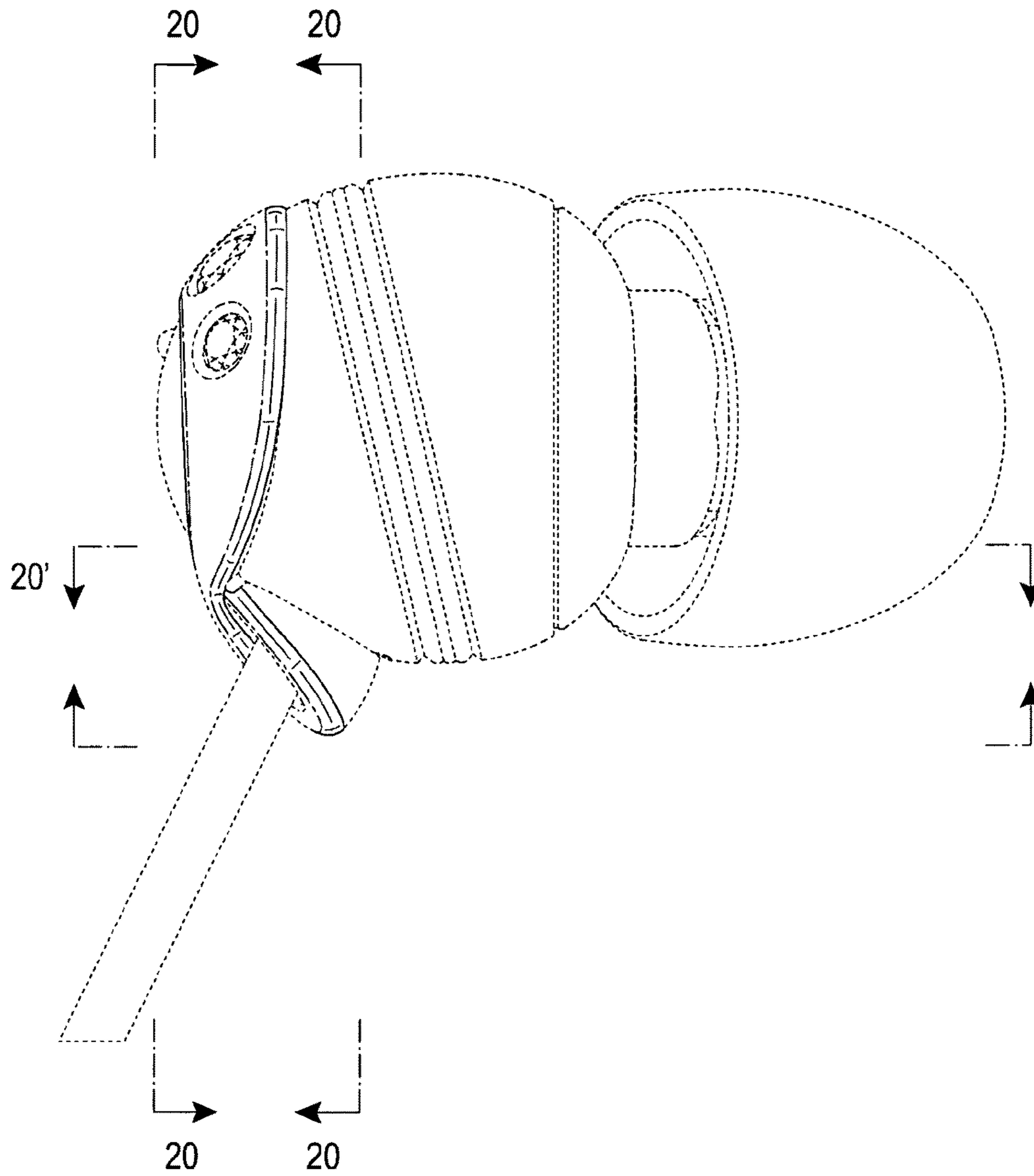


FIG.15

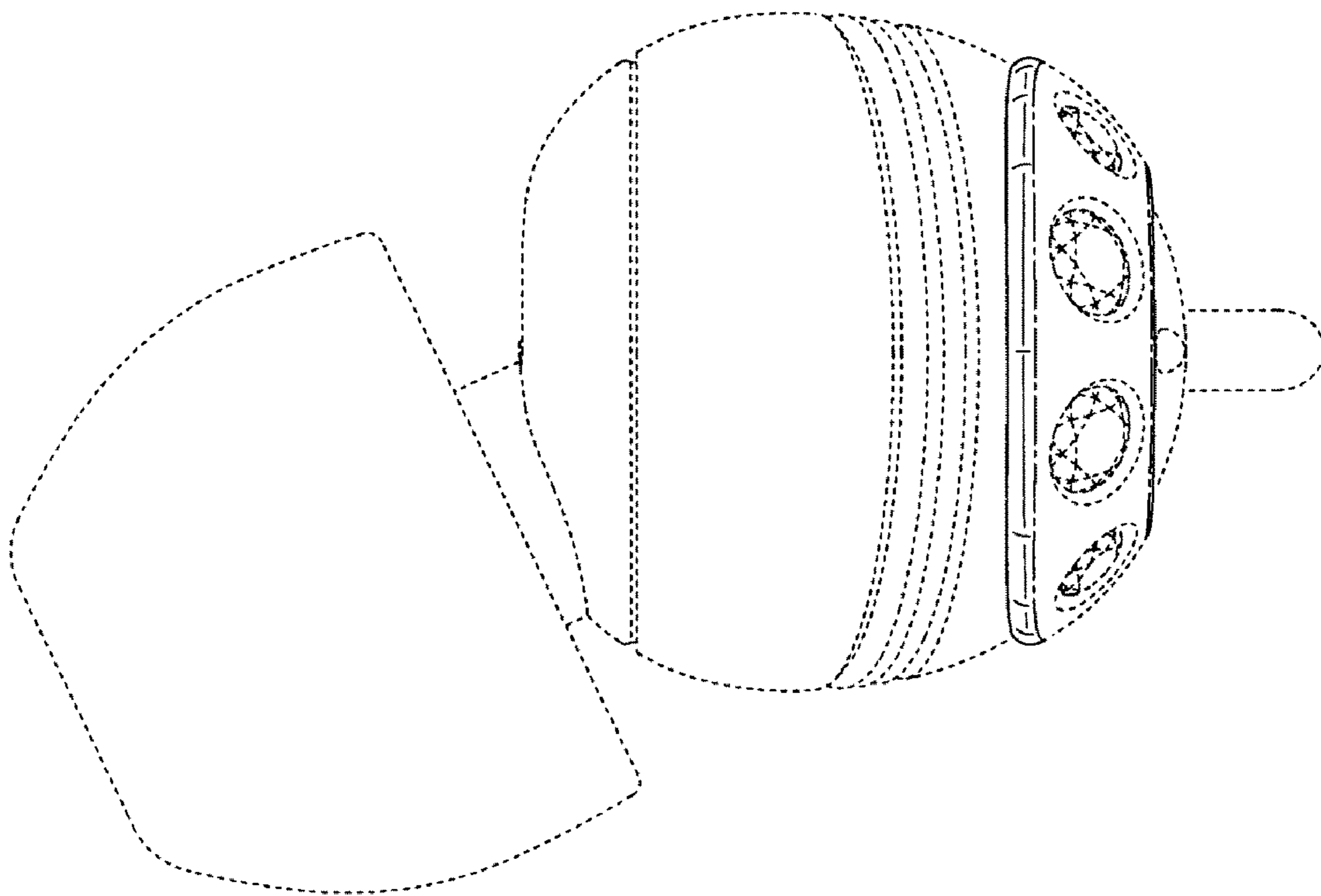


FIG.16

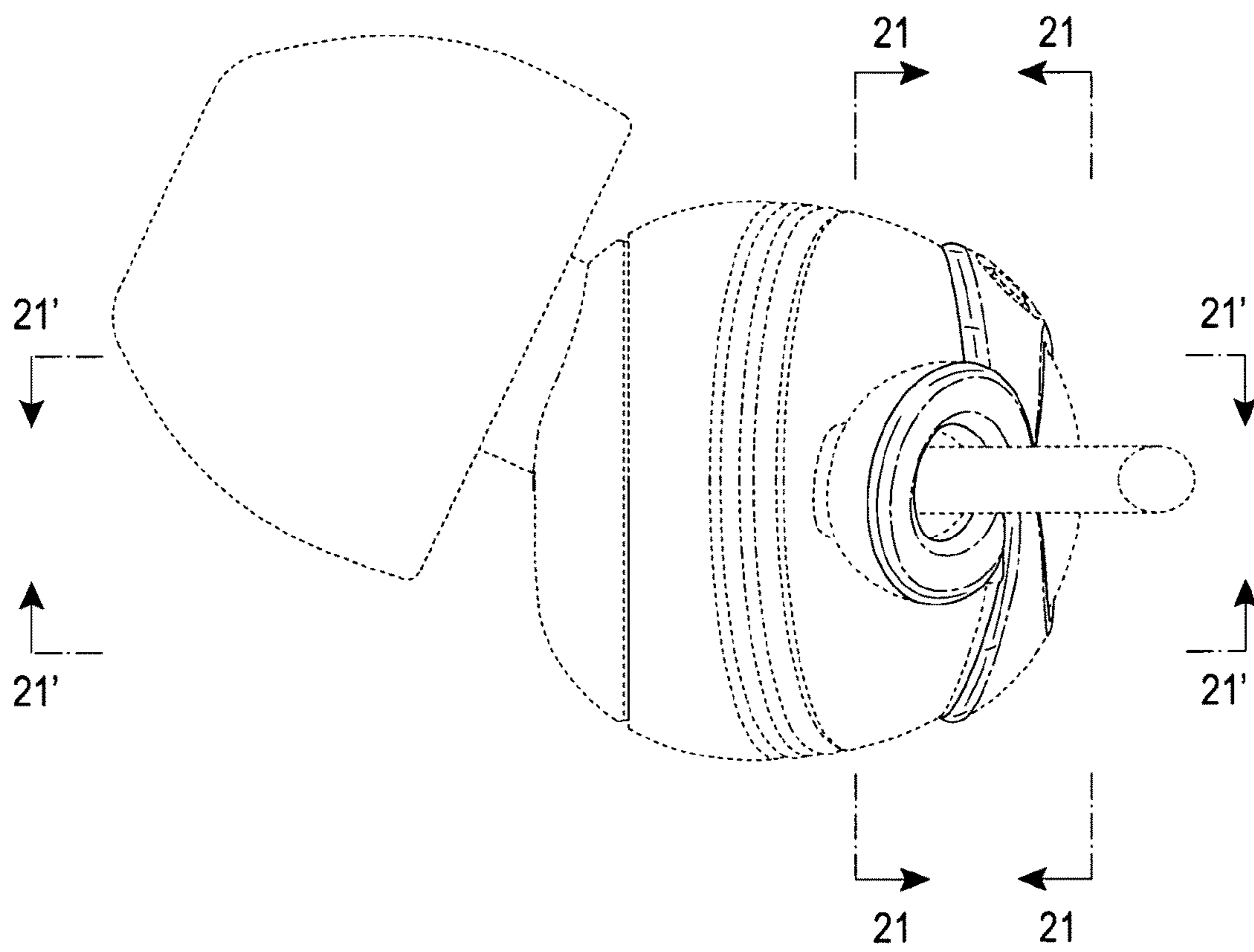


FIG.17

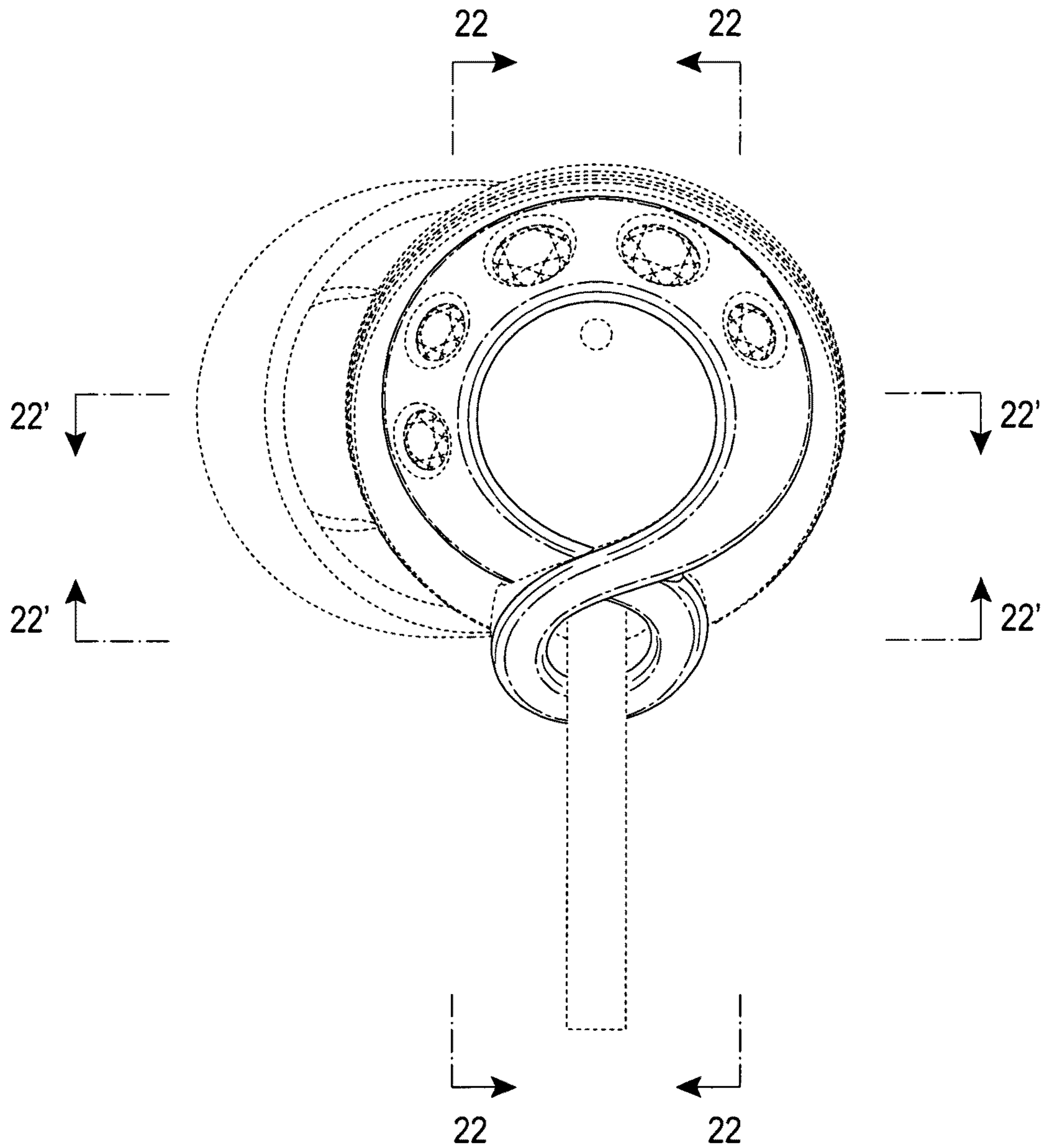


FIG.18

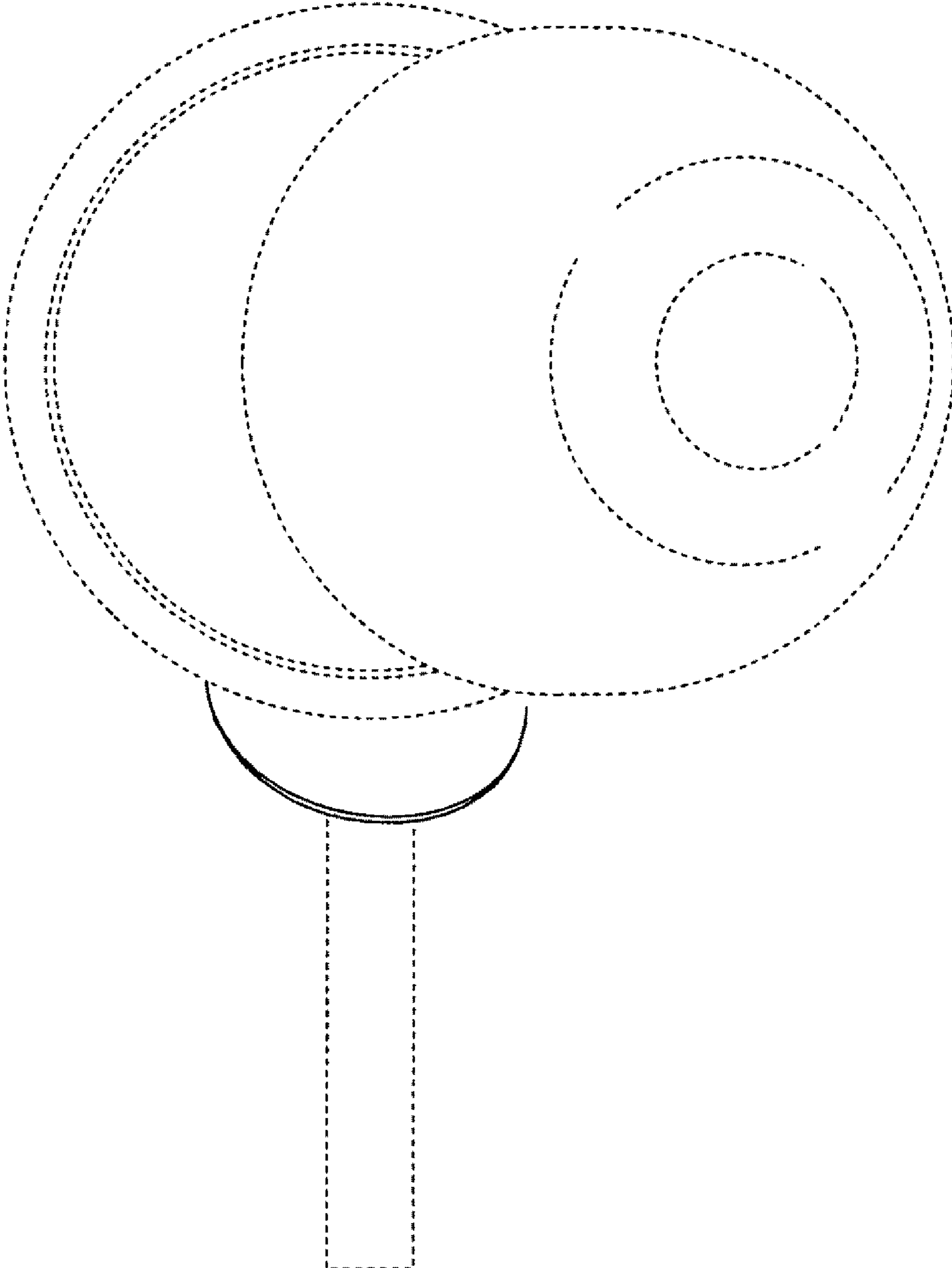


FIG. 19

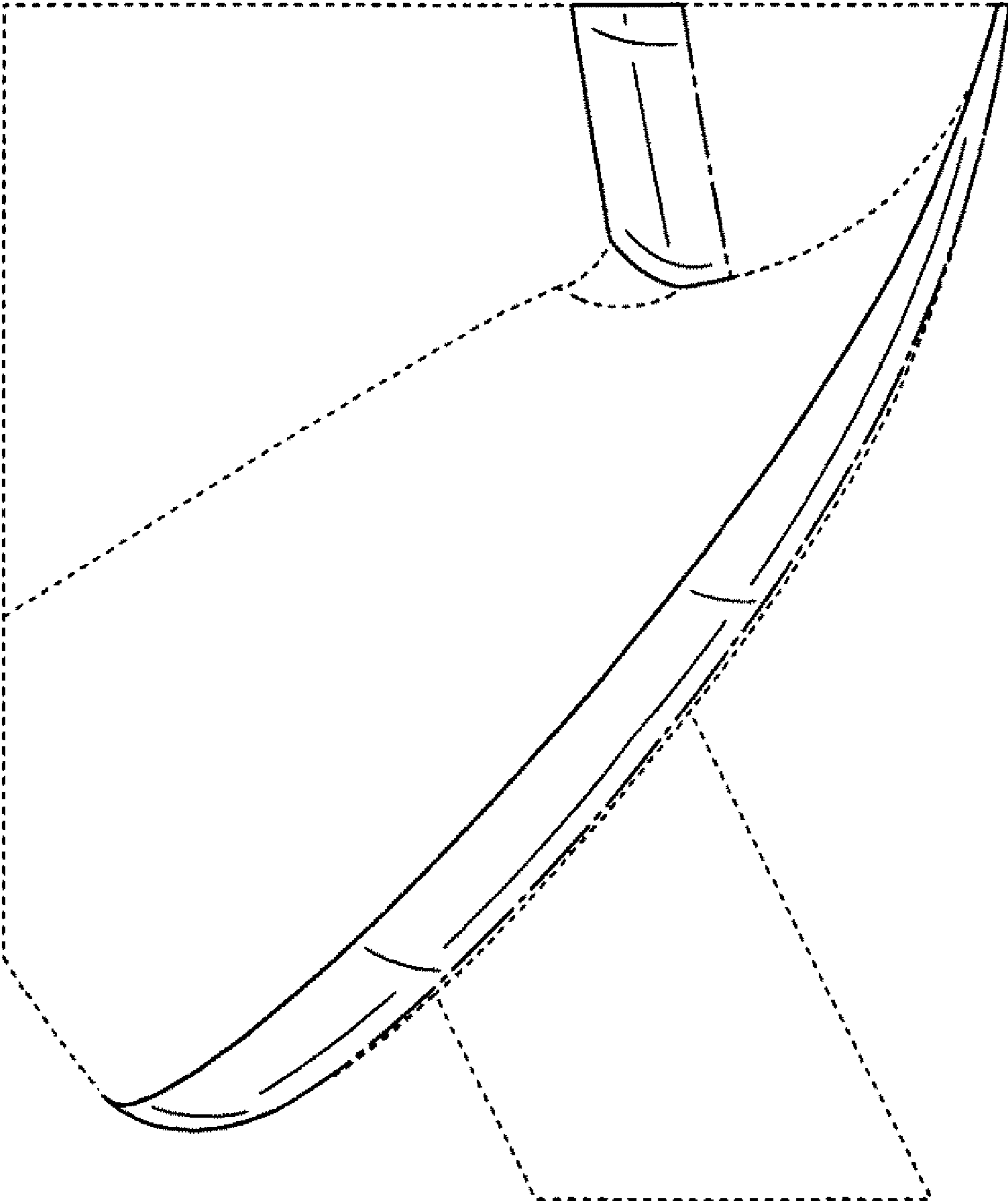


FIG.20

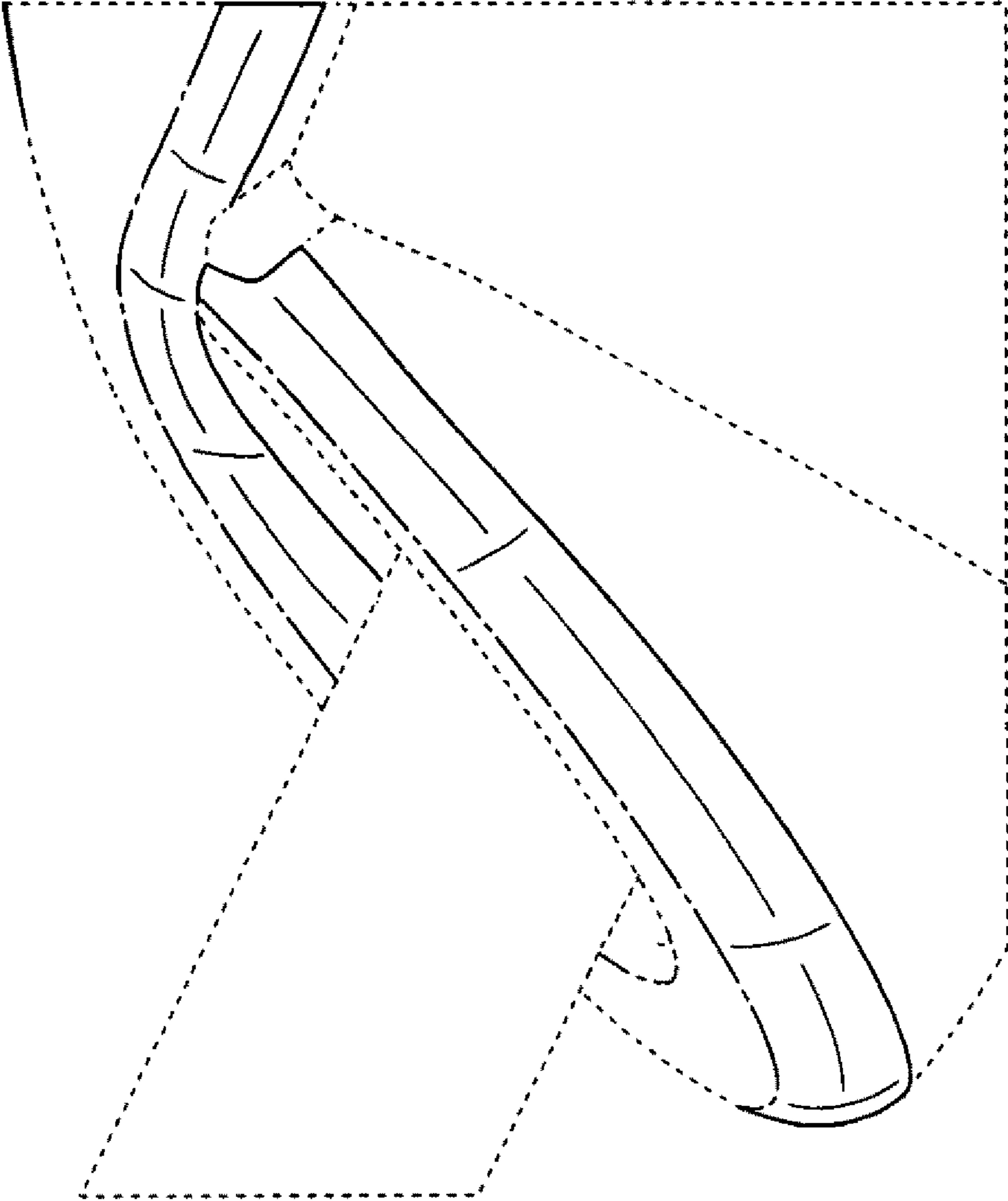


FIG.21

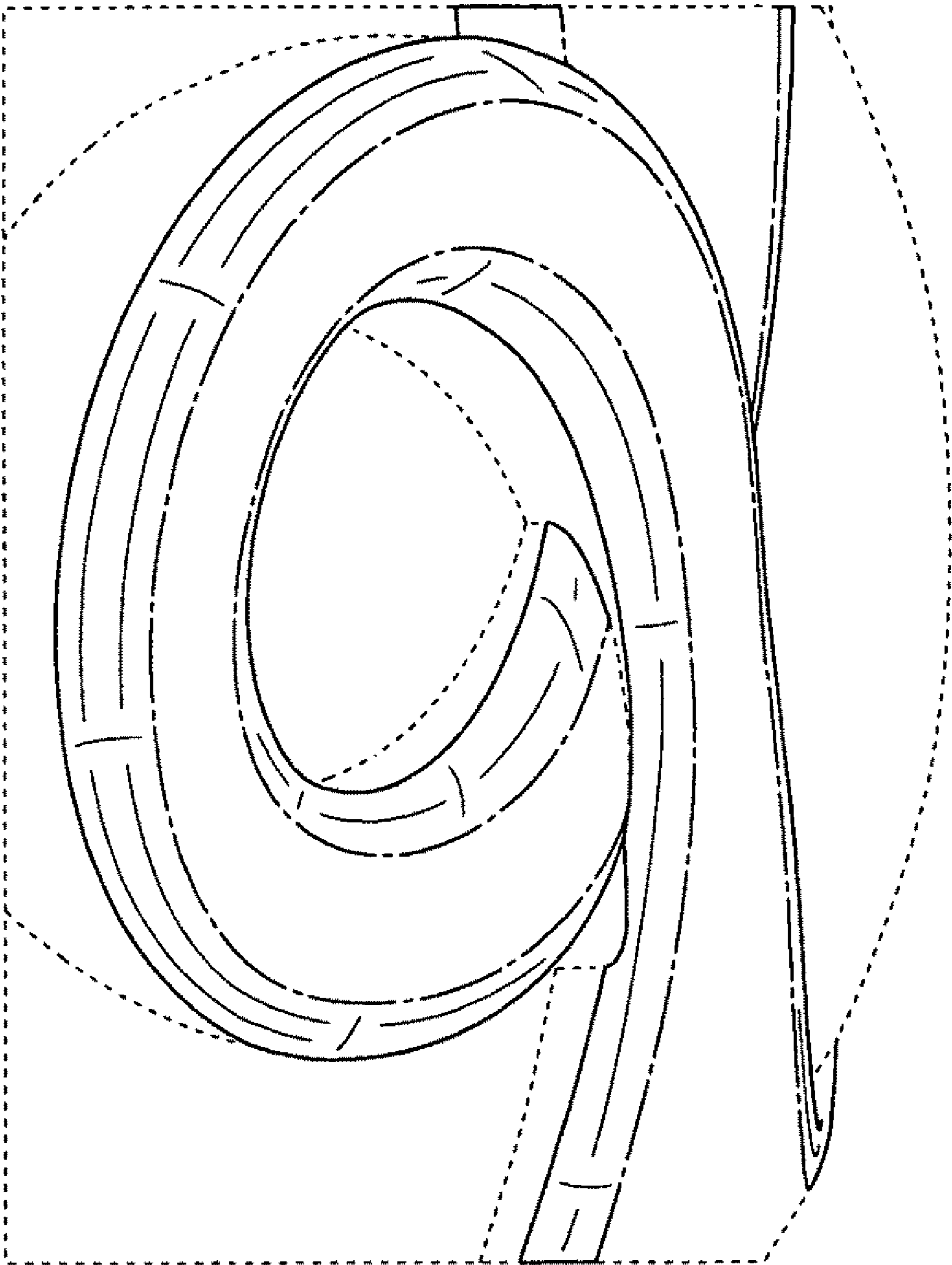


FIG.22

