



US00D647887S

(12) **United States Design Patent**  
**Dawson et al.**

(10) **Patent No.:** **US D647,887 S**  
(45) **Date of Patent:** **\*\* Nov. 1, 2011**

(54) **REMOTE CONTROL**

(75) Inventors: **Mark Dawson**, Wayne, PA (US); **Sree Kotay**, Philadelphia, PA (US)  
(73) Assignee: **Comcast Cable Communications, LLC**, Philadelphia, PA (US)

(\*\*) Term: **14 Years**

(21) Appl. No.: **29/387,975**

(22) Filed: **Mar. 22, 2011**

(51) **LOC (9) Cl.** ..... **14-03**  
(52) **U.S. Cl.** ..... **D14/218**  
(58) **Field of Classification Search** ..... D14/218,  
D14/455; D13/168; D21/566; D10/104,  
D10/106; 345/169; 348/14.05, 114, 211.99,  
348/734; 340/825.24; 341/22; 455/92, 95,  
455/128, 151.1–151.4, 352, 355, FOR. 121;  
700/65

See application file for complete search history.

(56) **References Cited**

**U.S. PATENT DOCUMENTS**

D372,716 S *	8/1996	Thorne, III	.....	D14/218
D433,403 S *	11/2000	Backs et al.	.....	D14/218
D463,788 S *	10/2002	Smith et al.	.....	D14/218
D500,309 S *	12/2004	Borsboom	.....	D14/218
D560,230 S *	1/2008	Yagi	.....	D14/496
D577,713 S *	9/2008	Kim et al.	.....	D14/218
D587,689 S *	3/2009	Hwang et al.	.....	D14/218
D597,082 S *	7/2009	Bang et al.	.....	D14/218
D628,192 S *	11/2010	Hsu et al.	.....	D14/218

**OTHER PUBLICATIONS**

Manual for Comcast on Demand Universal Remote Control, May 14, 2003.  
Close-up image from p. 1 of Manual for Comcast on Demand Universal Remote Control, May 14, 2003.

\* cited by examiner

*Primary Examiner* — Celia Murphy  
*Assistant Examiner* — John Windmuller

(74) *Attorney, Agent, or Firm* — Banner & Witcoff, Ltd.

(57) **CLAIM**

The ornamental design for a remote control, as shown and described.

**DESCRIPTION**

FIG. 1 is a perspective view of a remote control showing our new design;

FIG. 2 is a top view thereof;

FIG. 3 is a left side view thereof;

FIG. 4 is a right side view thereof;

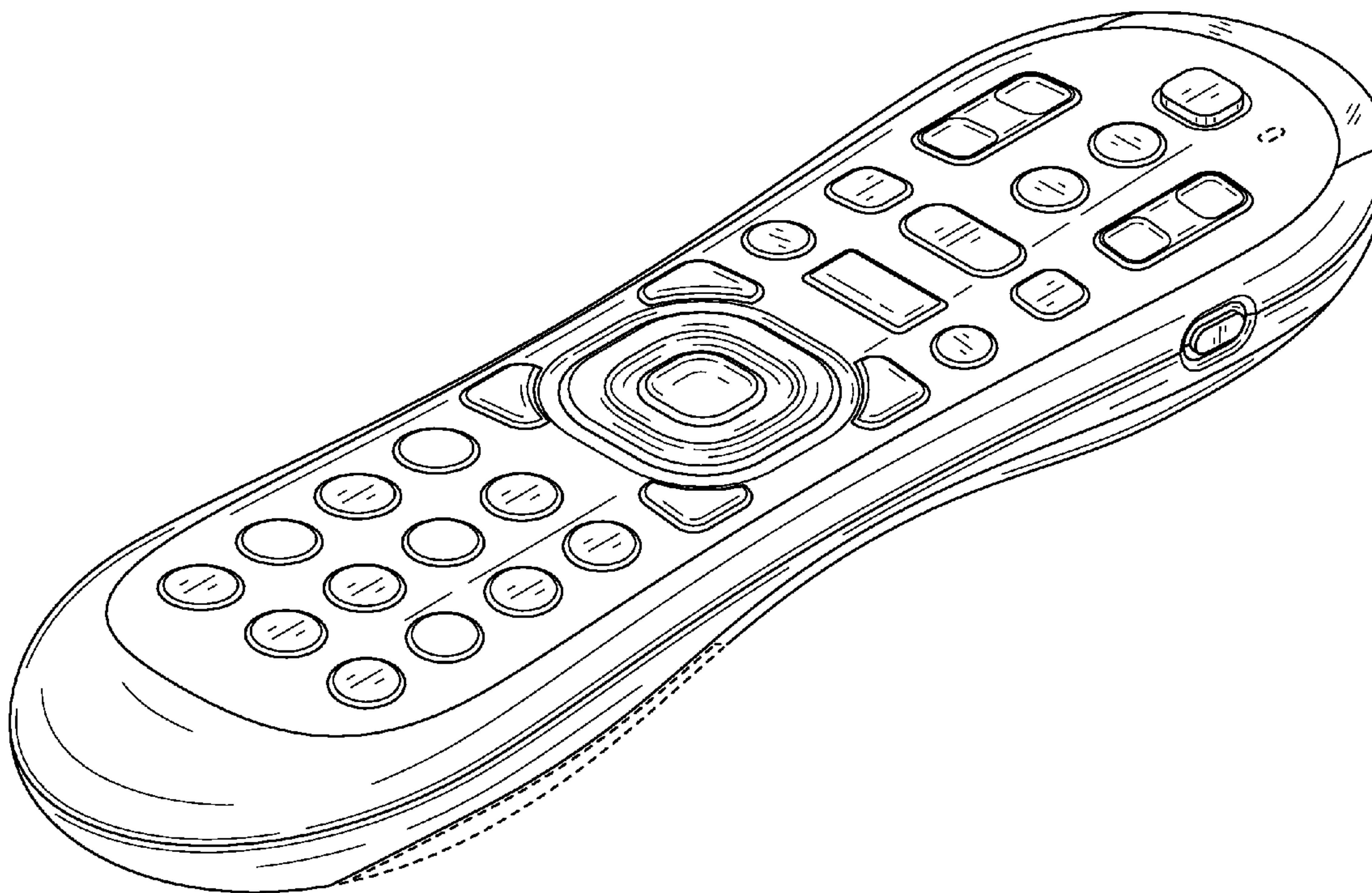
FIG. 5 is a front view thereof;

FIG. 6 is a rear view thereof; and,

FIG. 7 is a bottom view thereof.

The broken lines in the figures indicate that the unshaded portion of the bottom of the control is not part of the claimed design and that the six small holes in FIG. 7 are also not part of the claimed design.

**1 Claim, 5 Drawing Sheets**



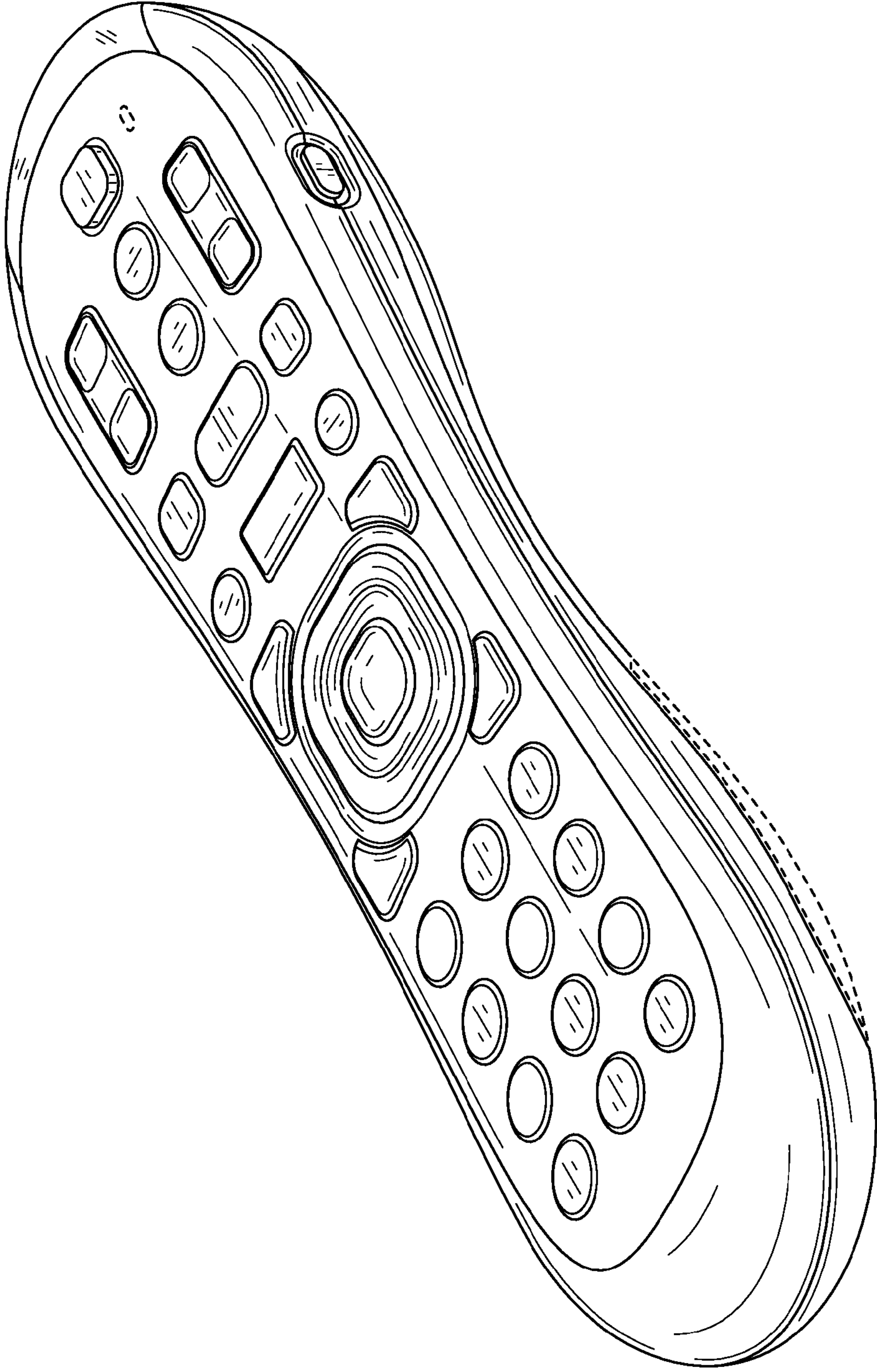


FIG. 1

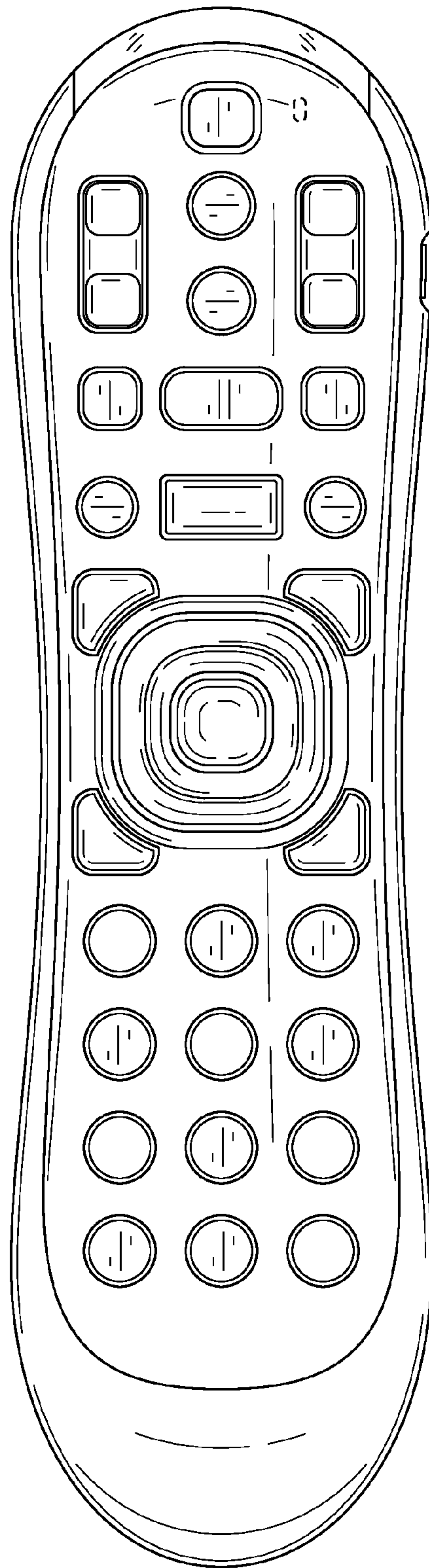


FIG. 2

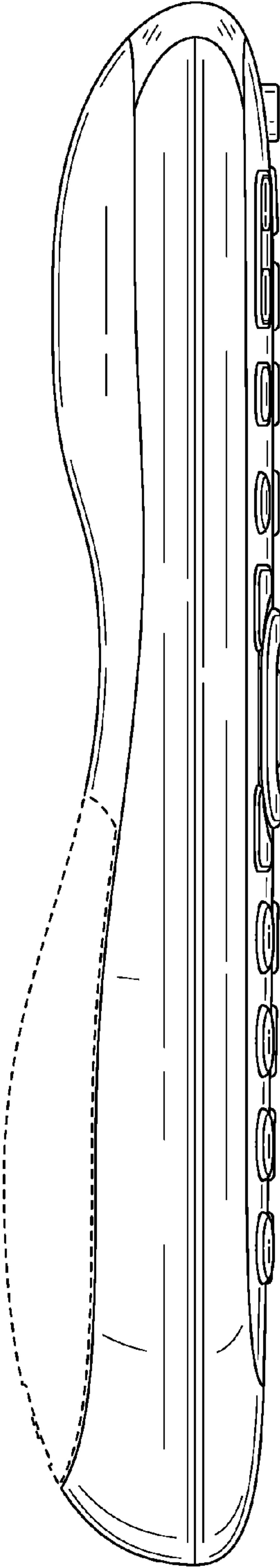


FIG. 3

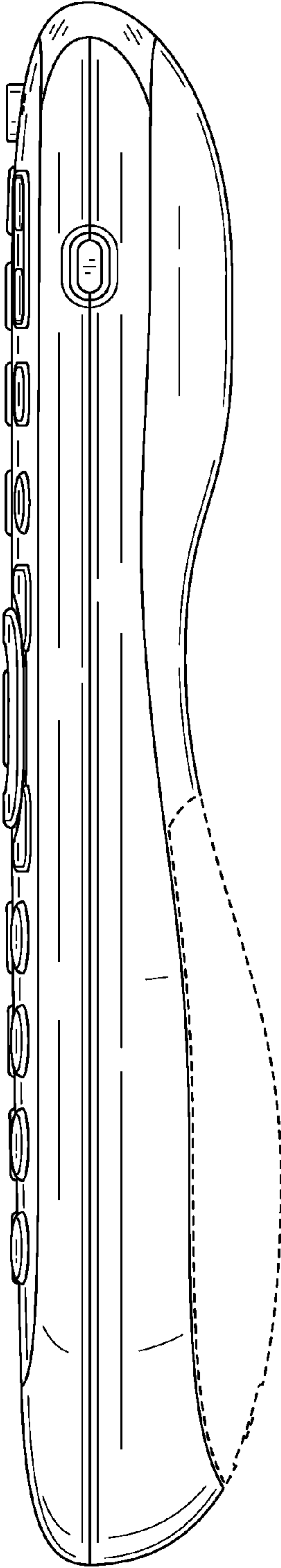


FIG. 4



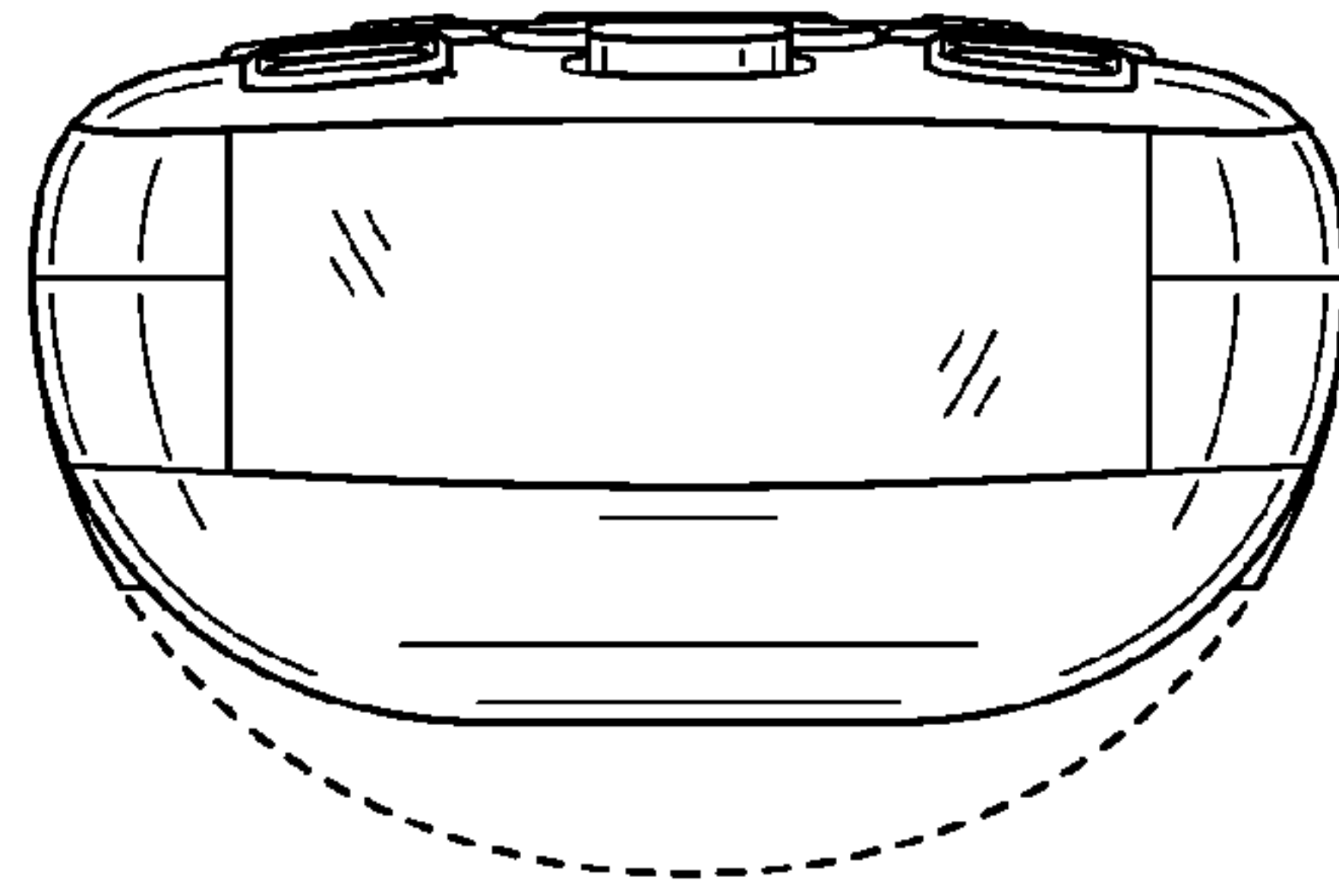


FIG. 5

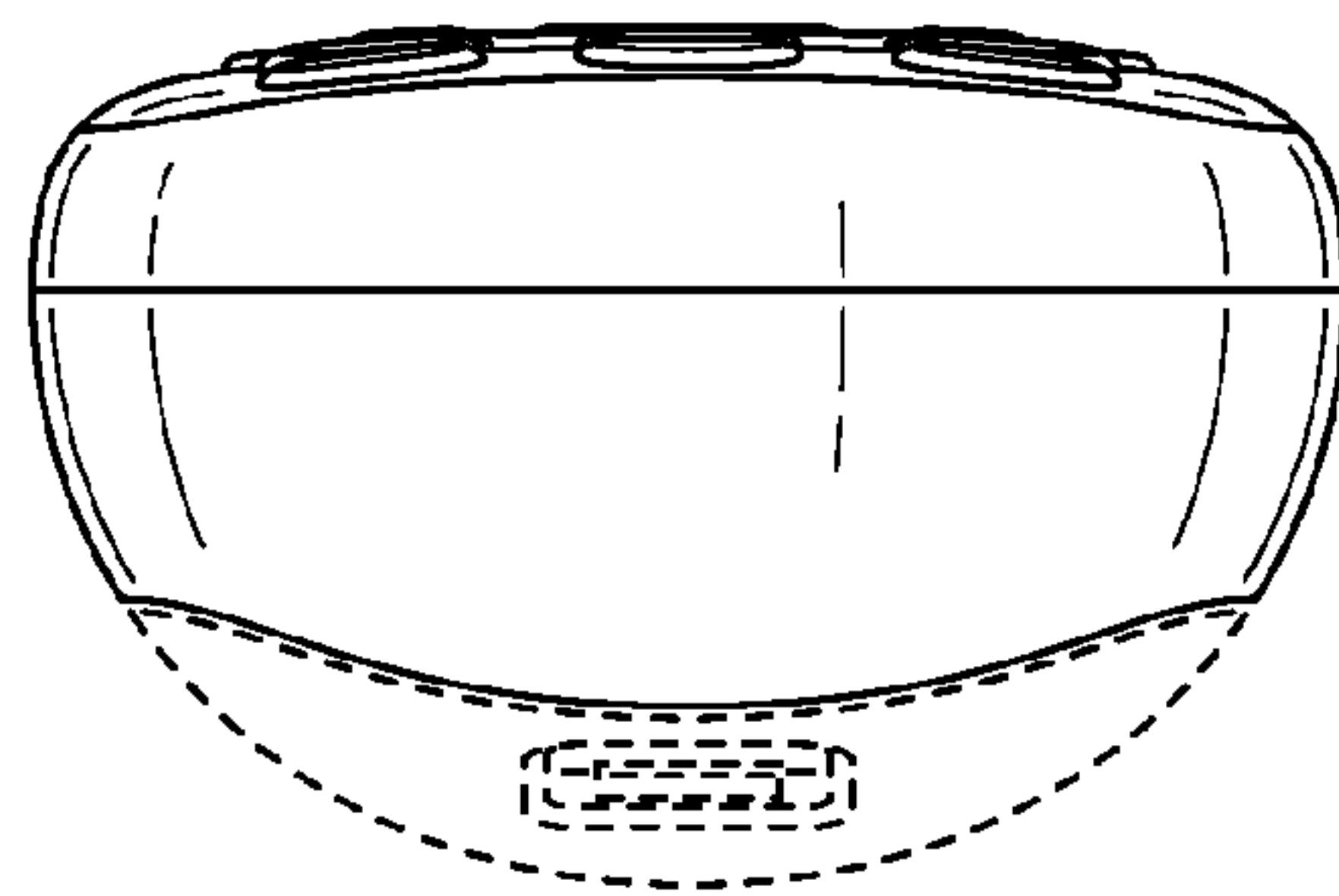


FIG. 6

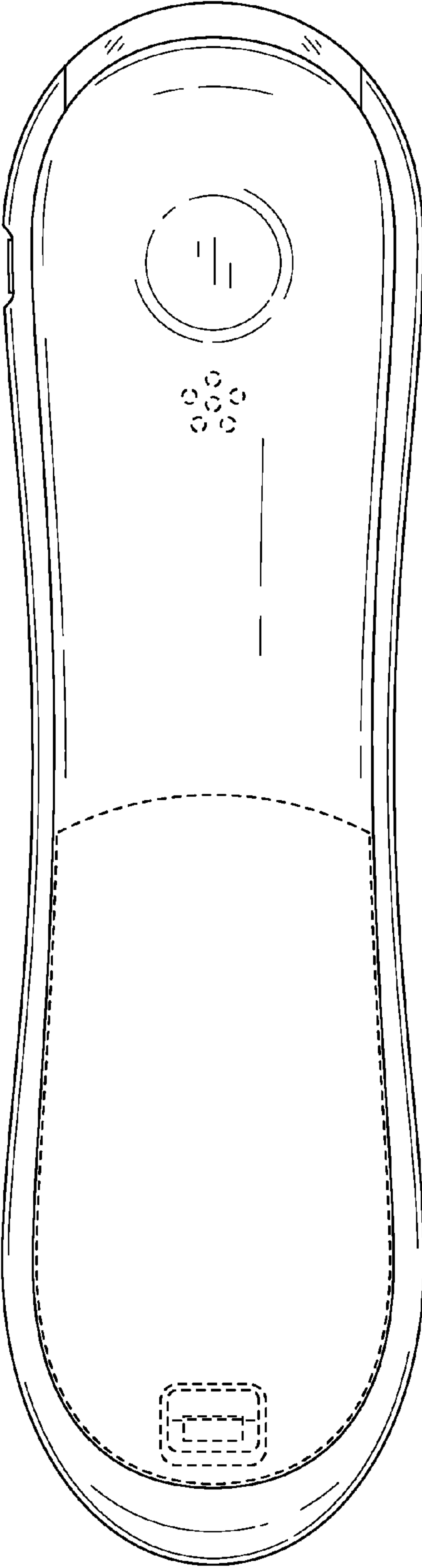


FIG. 7