



US00D647881S

(12) **United States Design Patent**
Warner

(10) **Patent No.:** **US D647,881 S**

(45) **Date of Patent:** **** Nov. 1, 2011**

(54) **MEDIA PLAYER CRADLE**

(75) Inventor: **Scott K. Warner**, Lehi, UT (US)

(73) Assignee: **Semco Plastic Company, Inc.**, St. Louis, MO (US)

(**) Term: **14 Years**

(21) Appl. No.: **29/386,837**

(22) Filed: **Mar. 4, 2011**

(51) **LOC (9) Cl.** **14-03**

(52) **U.S. Cl.** **D14/217; D14/238.1; D14/253; D14/447**

(58) **Field of Classification Search** D14/140, D14/142, 149, 155, 157, 188, 191-193, 203.1-203.8, D14/217, 240, 243, 251, 253, 432-435.1, D14/447, 451, 496, 474, 480.1-480.7; D13/107, D13/108, 118; 248/221.11, 309.1; 320/107, 320/110, 113-115; 361/600; 439/529, 534; 455/556.1-556.2, 557

See application file for complete search history.

(56) **References Cited**

U.S. PATENT DOCUMENTS

1,659,509	A	*	2/1928	Ashbrook	211/50
D258,511	S	*	3/1981	Ashton	D19/90
D332,708	S	*	1/1993	Schmidt et al.	D6/407
D336,182	S	*	6/1993	Machut	D6/467
D574,375	S	*	8/2008	Prest et al.	D14/253
D588,139	S	*	3/2009	Fujino et al.	D14/447
D616,431	S	*	5/2010	Hijmans	D14/253

D618,692	S	*	6/2010	Deutsch et al.	D14/447
D636,395	S	*	4/2011	Anderson et al.	D14/434
D640,708	S	*	6/2011	Lee	D14/447
D642,122	S	*	7/2011	Budike, Jr.	D13/108
D642,124	S	*	7/2011	Budike, Jr.	D13/108

* cited by examiner

Primary Examiner — Prabhakar Deshmukh

Assistant Examiner — Keli L Hill

(74) *Attorney, Agent, or Firm* — Workman Nydegger

(57) **CLAIM**

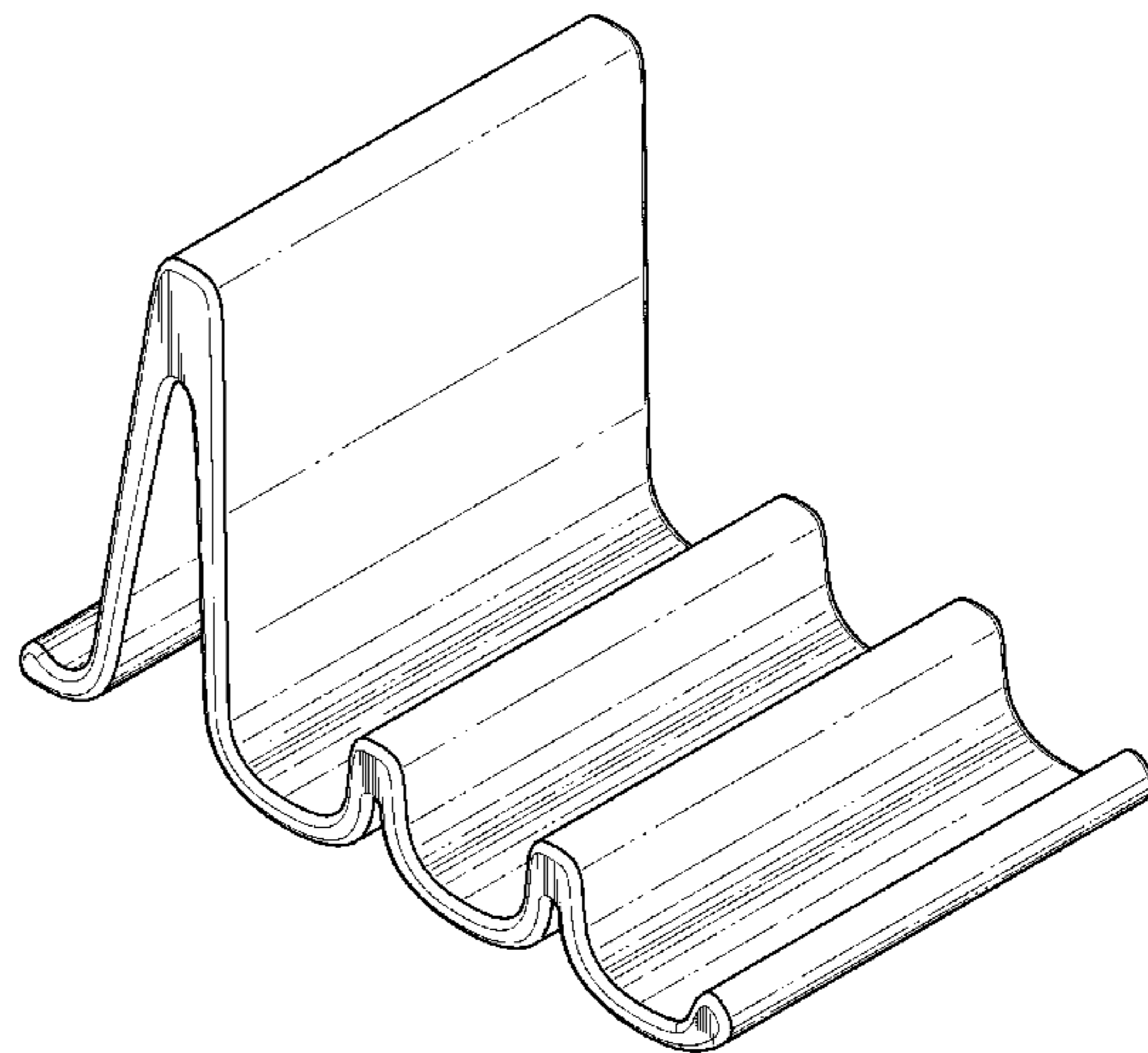
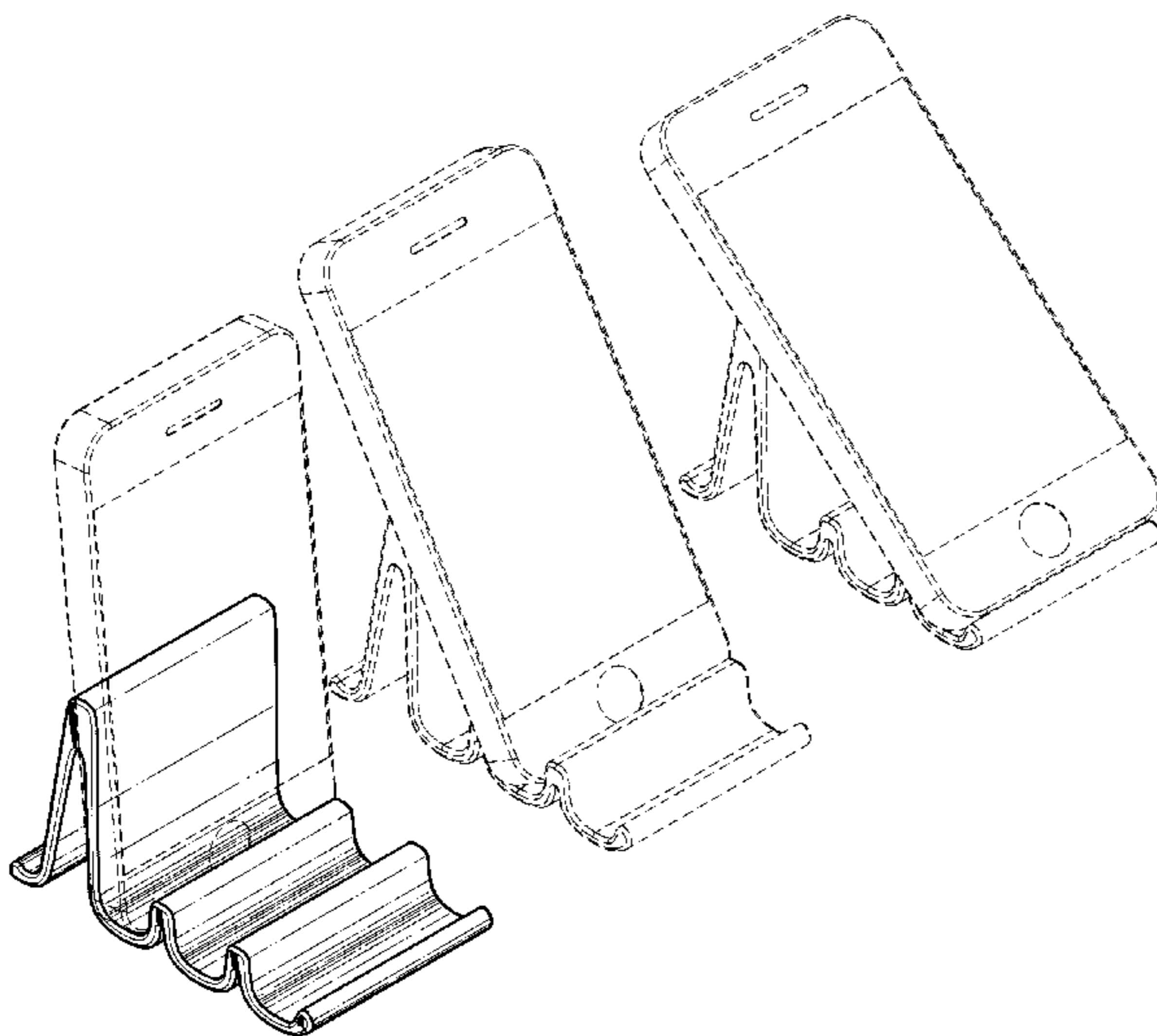
The ornamental design for a media player cradle, as shown and described.

DESCRIPTION

FIG. 1 is a front, top and left side perspective view of a media player cradle, embodying my new design and shown in use; FIG. 2 is an alternate perspective view thereof; FIG. 3 is a left side elevation view thereof; FIG. 4 is a right side elevation view thereof; FIG. 5 is a front elevation view thereof; FIG. 6 is a rear elevation view thereof; FIG. 7 is top plan view thereof; and, FIG. 8 is a bottom plan view thereof.

The broken line showing of the media player and additional cradles in FIG. 1 are included for the purpose of illustrating environment of the article and forms no part of the claimed design.

1 Claim, 5 Drawing Sheets



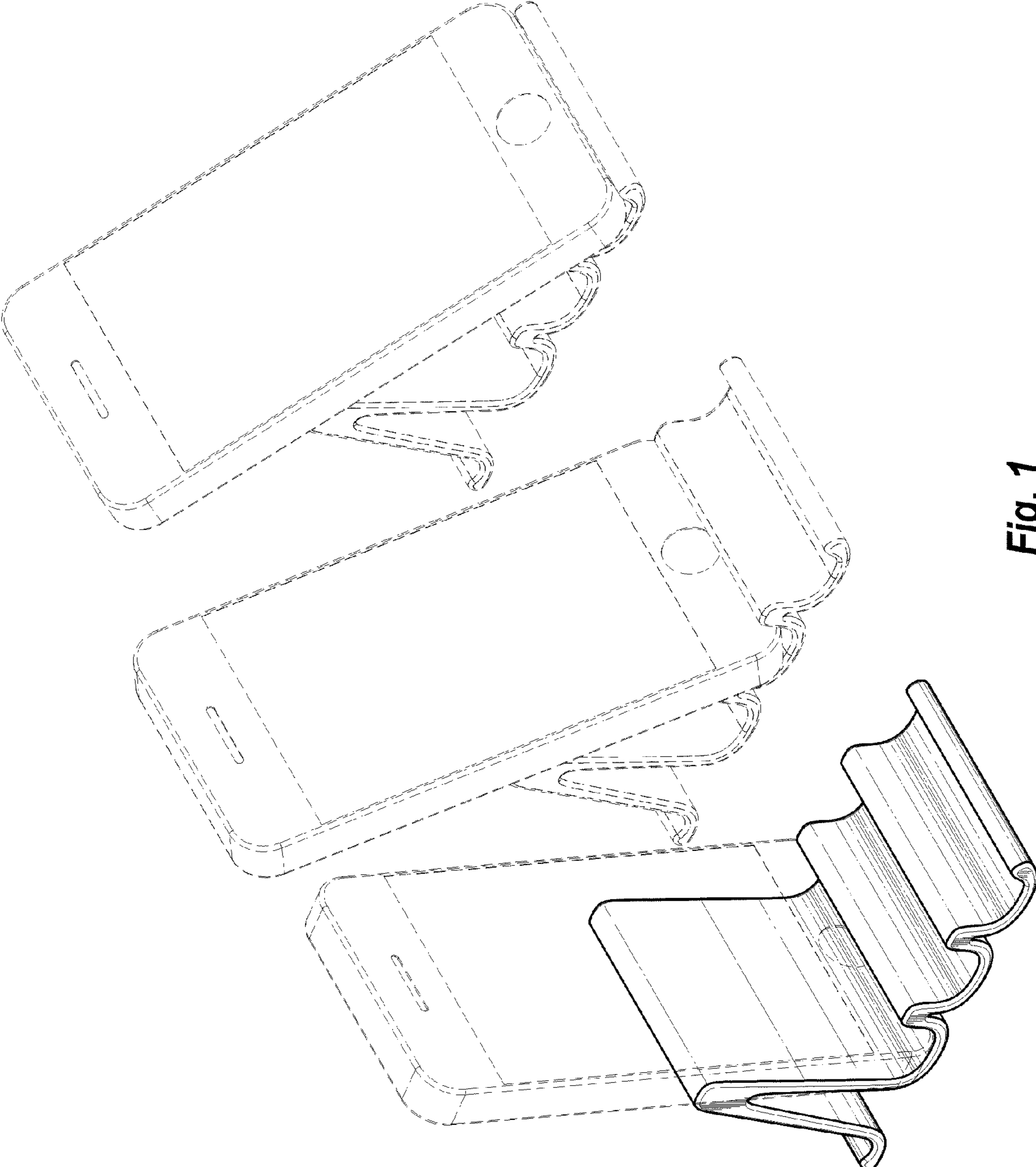


Fig. 1

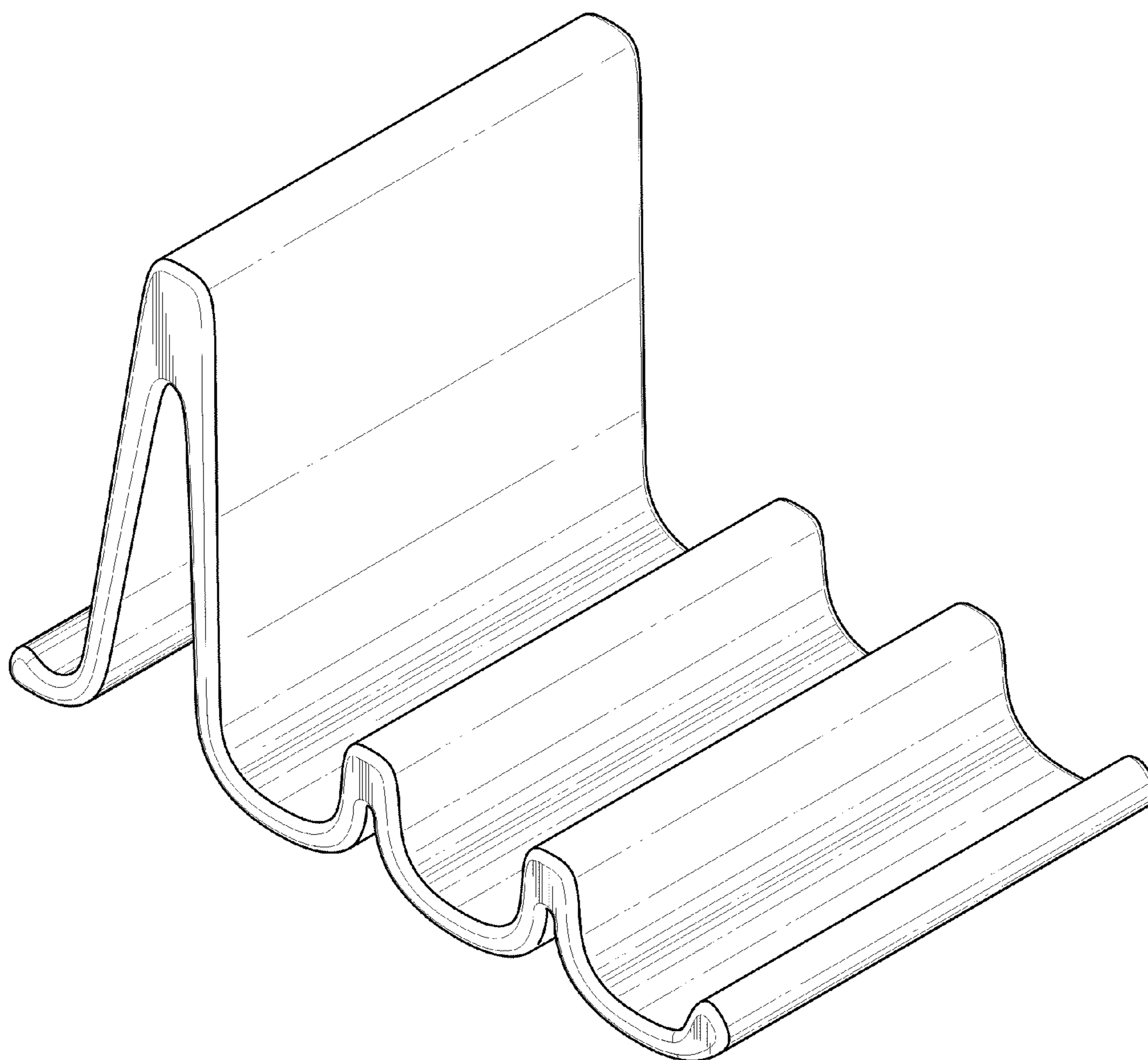


Fig. 2

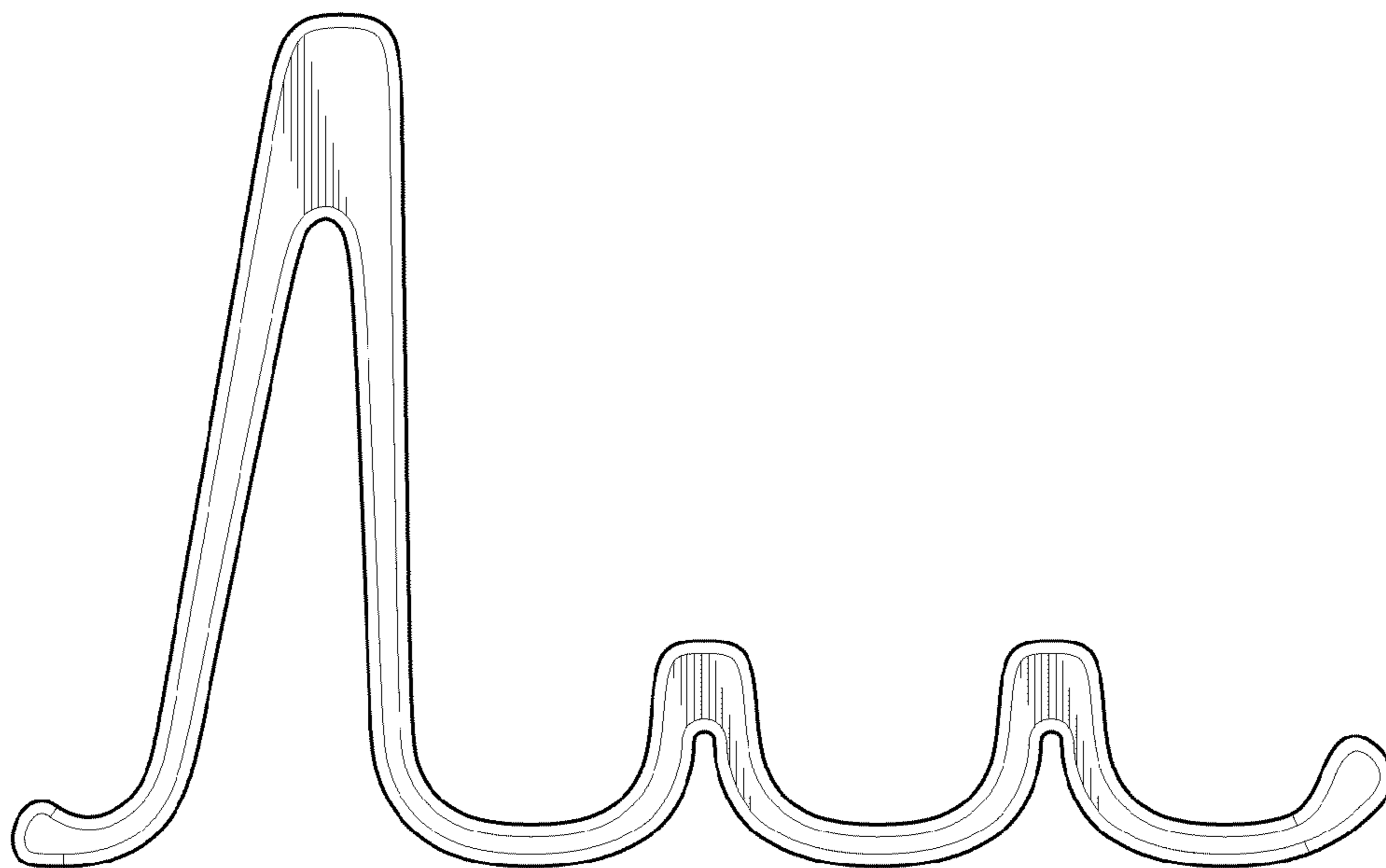


Fig. 3

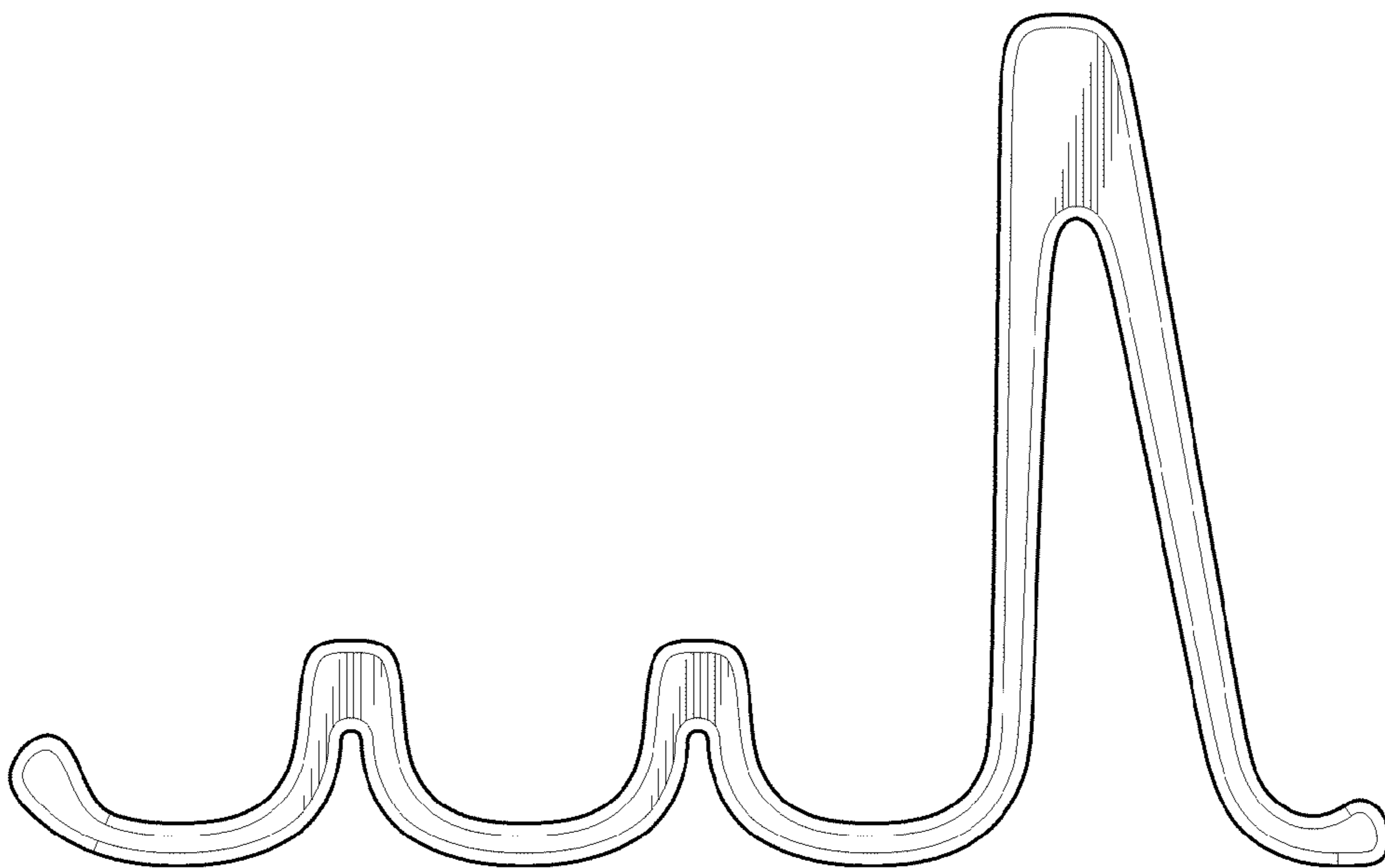


Fig. 4

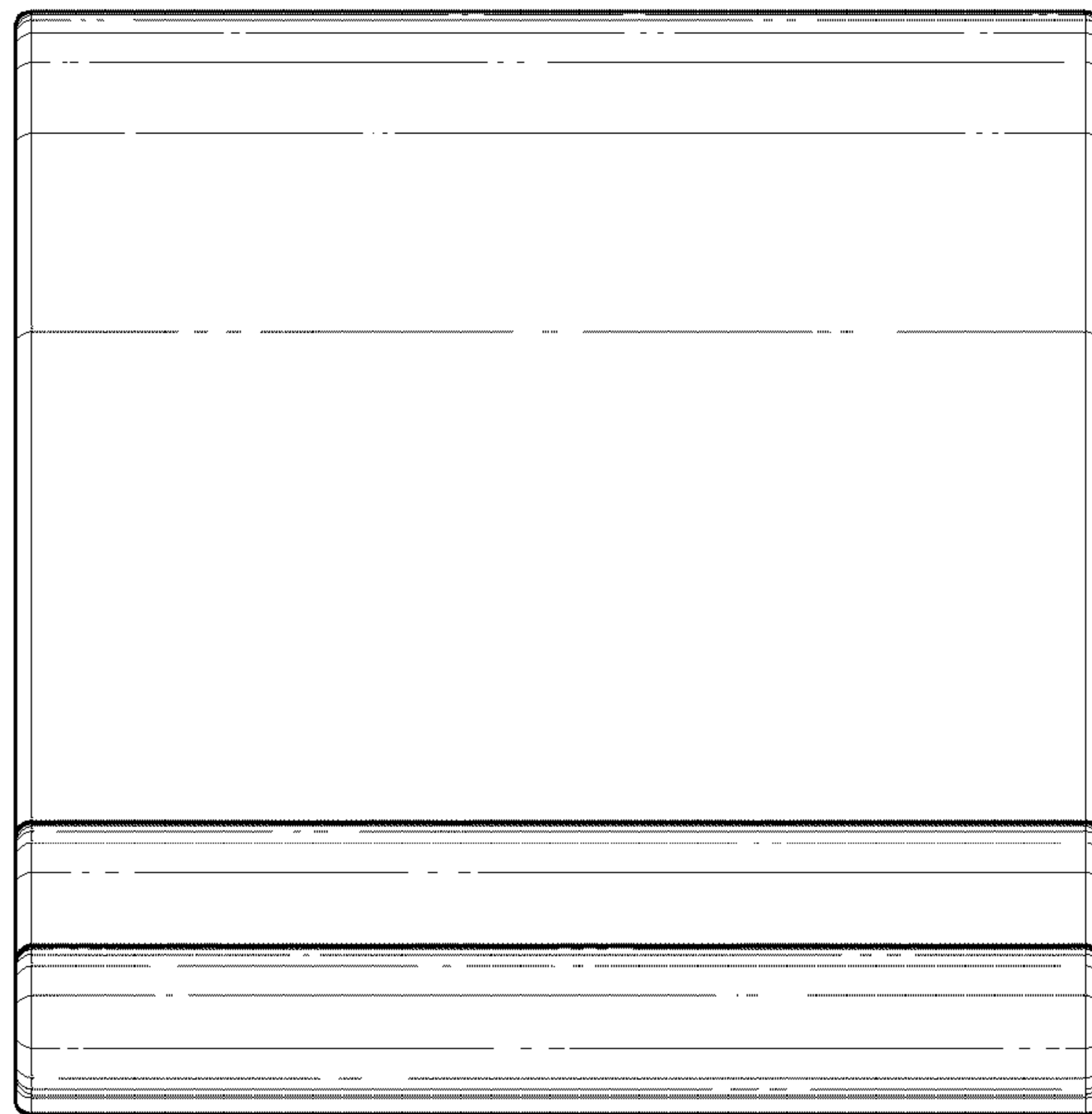


Fig. 5



Fig. 6

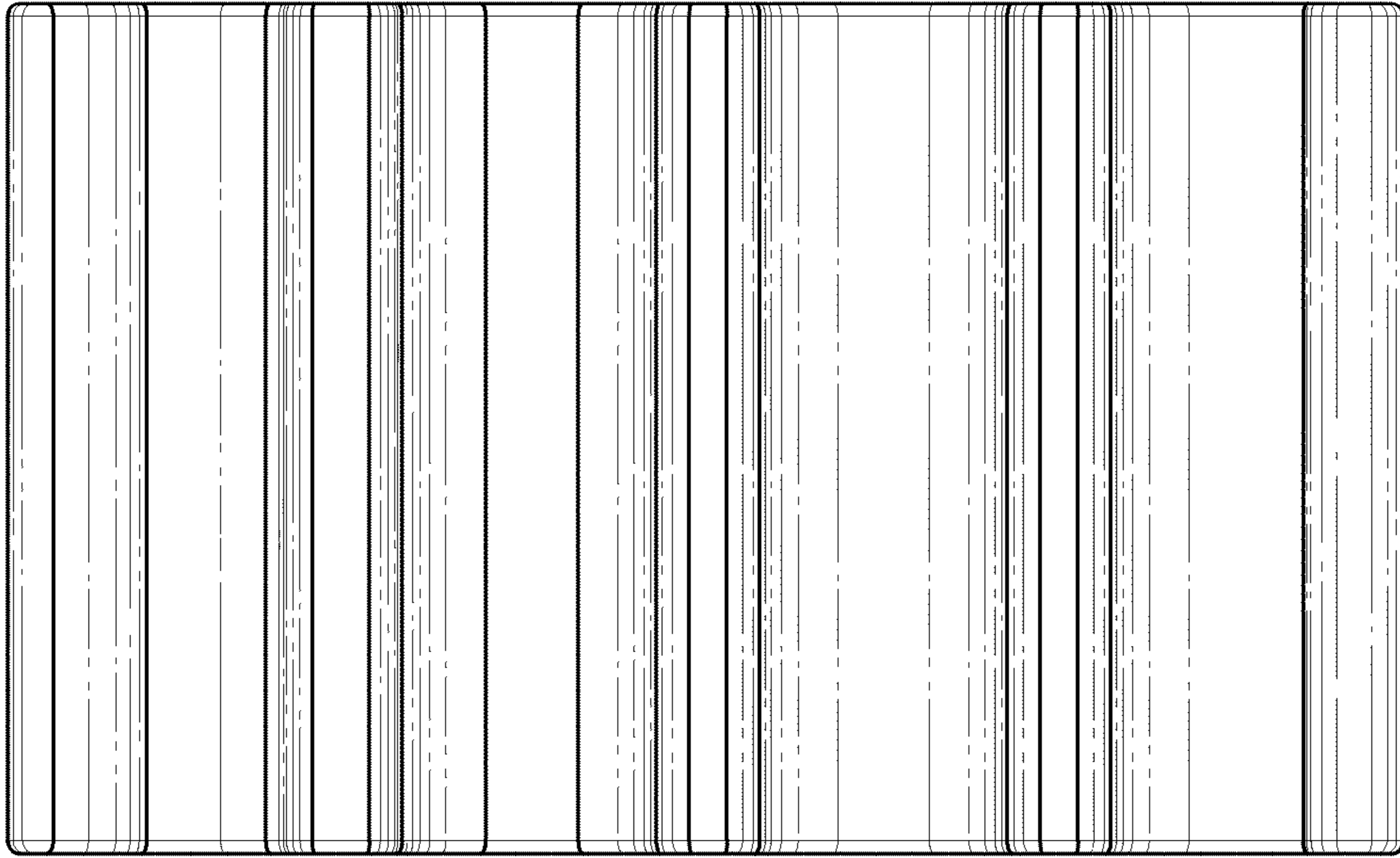


Fig. 7

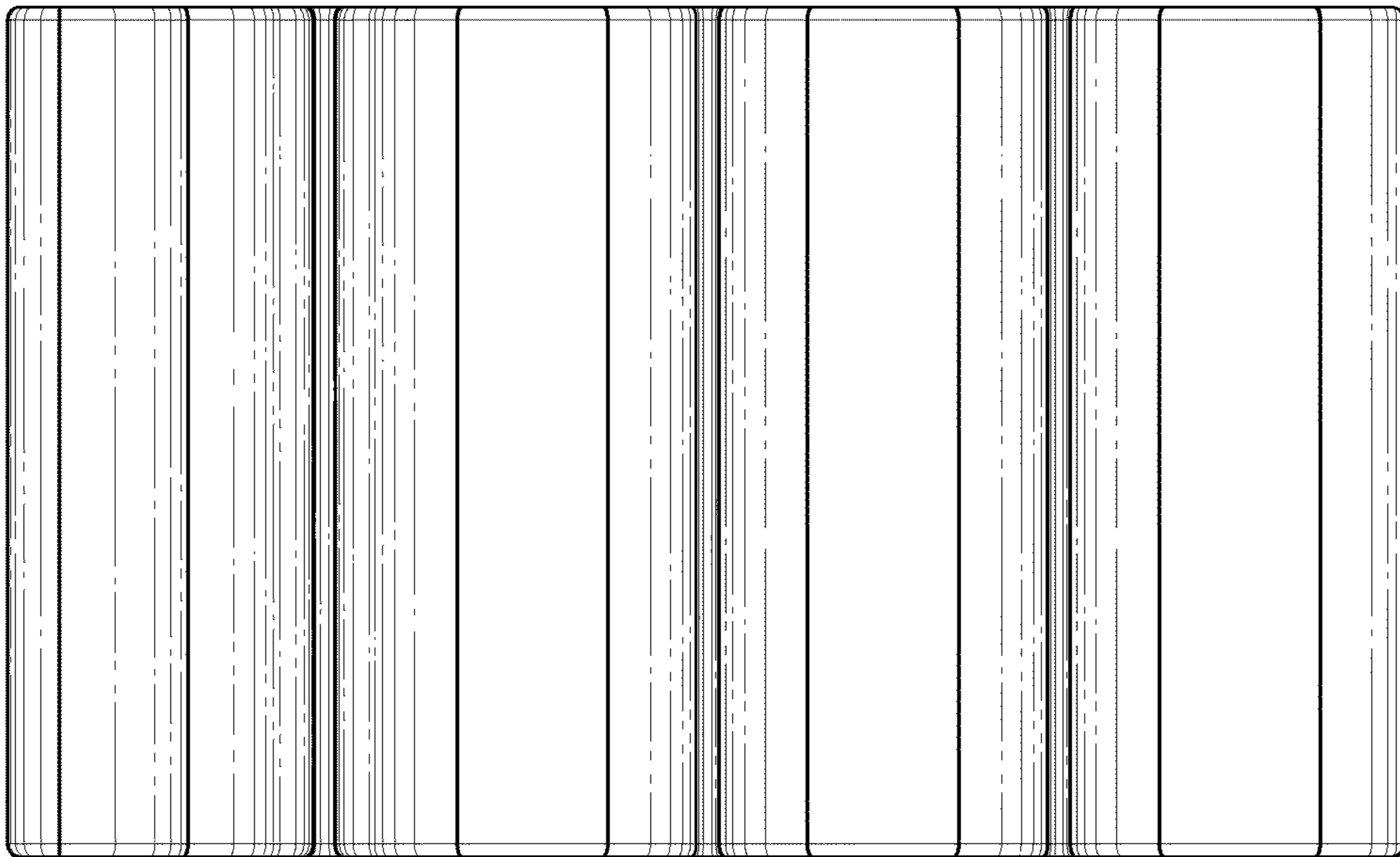


Fig. 8