

US00D647879S

(12) **United States Design Patent**
Chen

(10) **Patent No.:** **US D647,879 S**

(45) **Date of Patent:** **** Nov. 1, 2011**

(54) **SPEAKER**

(75) **Inventor:** **Hwang-Miaw Chen**, Taipei Hsien (TW)

(73) **Assignee:** **Hon Hai Precision Industry Co., Ltd.**,
Tu-Cheng, New Taipei (TW)

(**) **Term:** **14 Years**

(21) **Appl. No.:** **29/381,997**

(22) **Filed:** **Dec. 27, 2010**

(51) **LOC (9) Cl.** **14-01**

(52) **U.S. Cl.** **D14/215**

(58) **Field of Classification Search** D14/204,
D14/210-215, 172; 181/143-144, 147-148,
181/150-153, 157, 198-199; 381/300-303,
381/306, 332-333, 336, 345, 361-364, 386-388

See application file for complete search history.

(56) **References Cited**

U.S. PATENT DOCUMENTS

D485,257 S * 1/2004 Allen D14/215
D507,559 S * 7/2005 Sitoh D14/214
D606,978 S * 12/2009 Chen D14/204

* cited by examiner

Primary Examiner — Nanda Bondade

(74) *Attorney, Agent, or Firm* — Altis Law Group, Inc.

(57) **CLAIM**

The ornamental design for a speaker, as shown.

DESCRIPTION

FIG. 1 is a perspective view of a speaker showing my new design.

FIG. 2 is a front elevational view thereof.

FIG. 3 is a rear elevational view thereof.

FIG. 4 is a left side elevational view thereof.

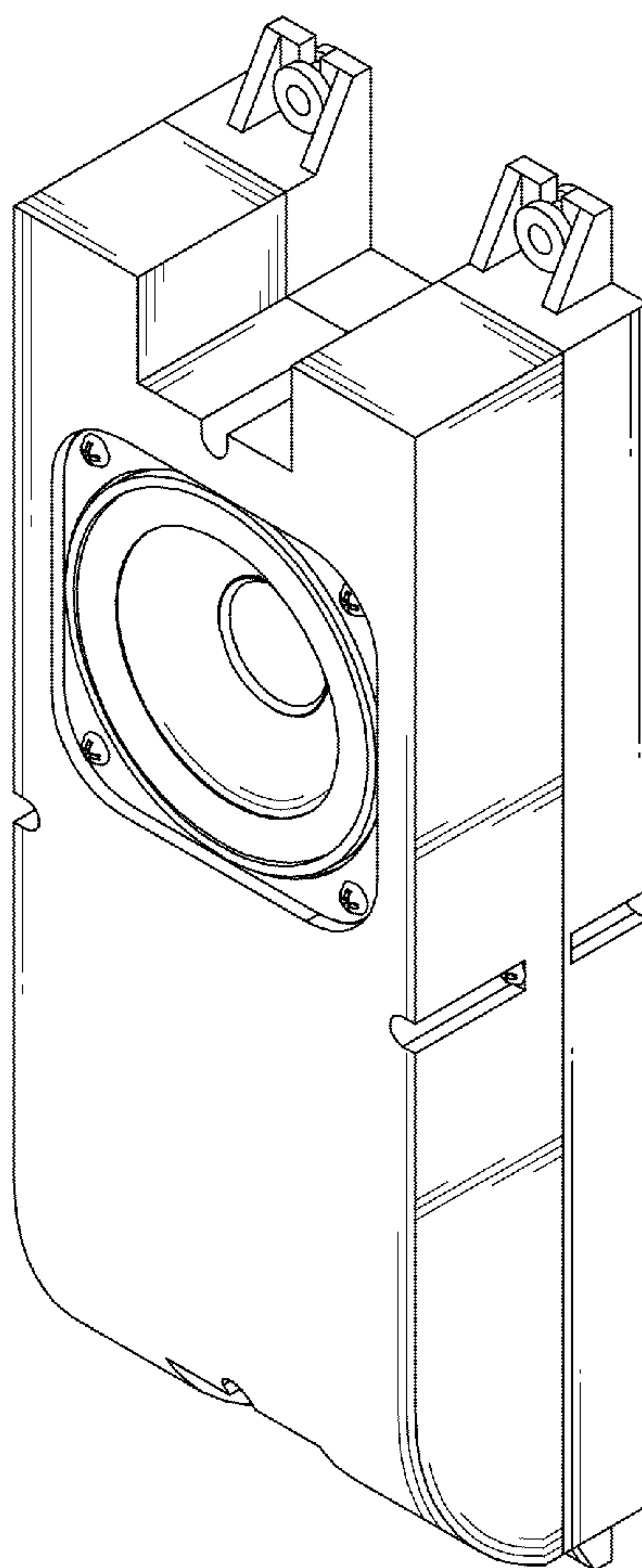
FIG. 5 is a right side elevational view thereof.

FIG. 6 is a top plan view thereof.

FIG. 7 is a bottom plan view thereof; and,

FIG. 8 is a cross-sectional view thereof, corresponding to 8-8 of FIG. 2.

1 Claim, 8 Drawing Sheets



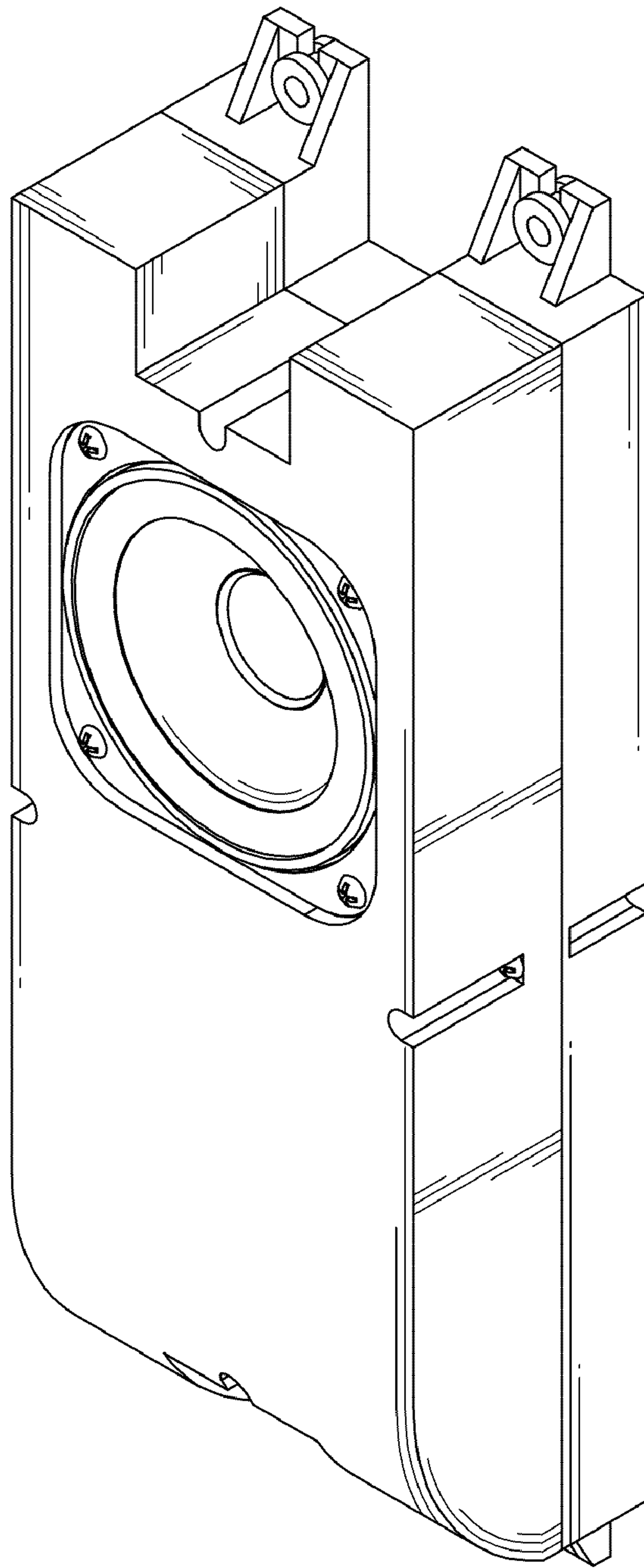


FIG. 1

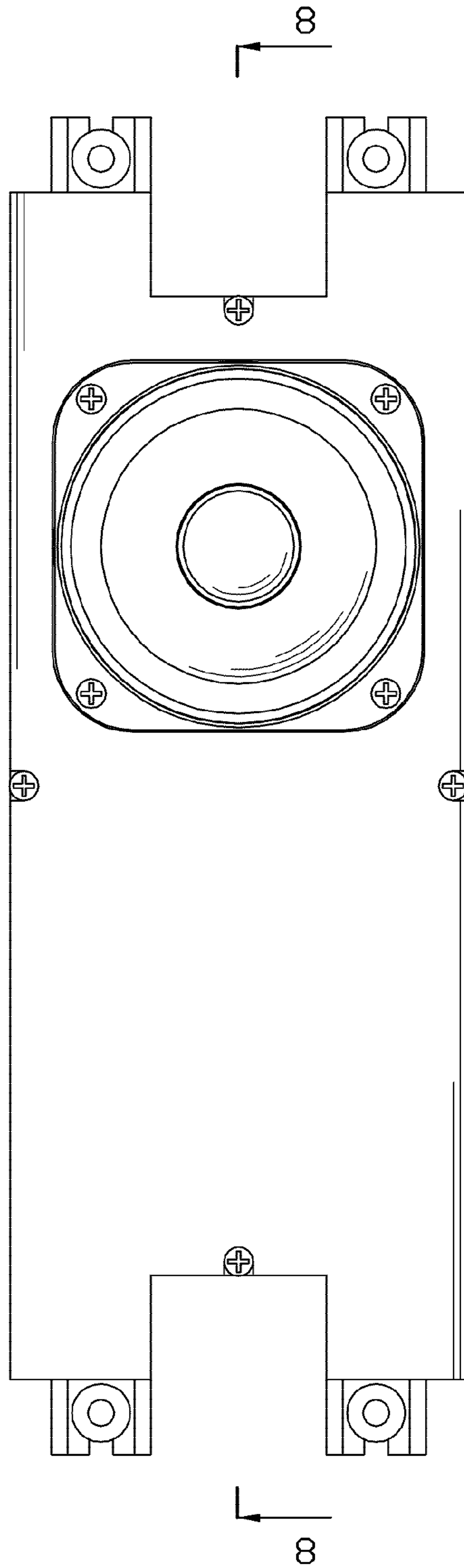


FIG. 2

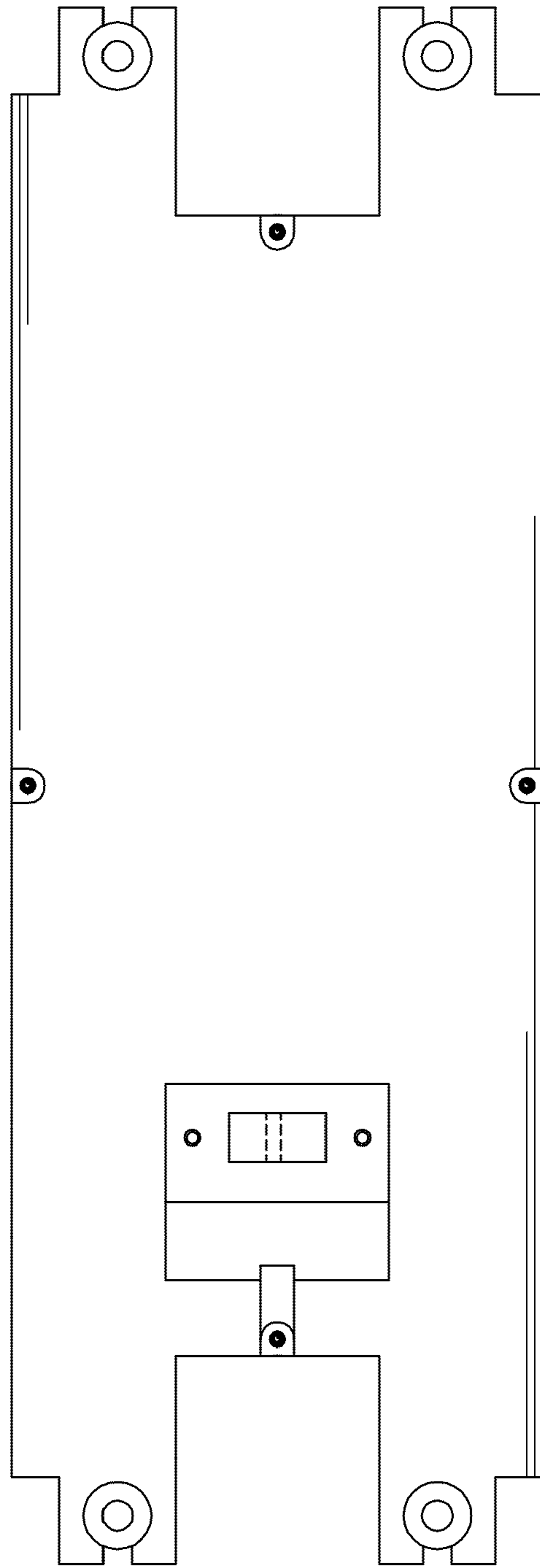


FIG. 3

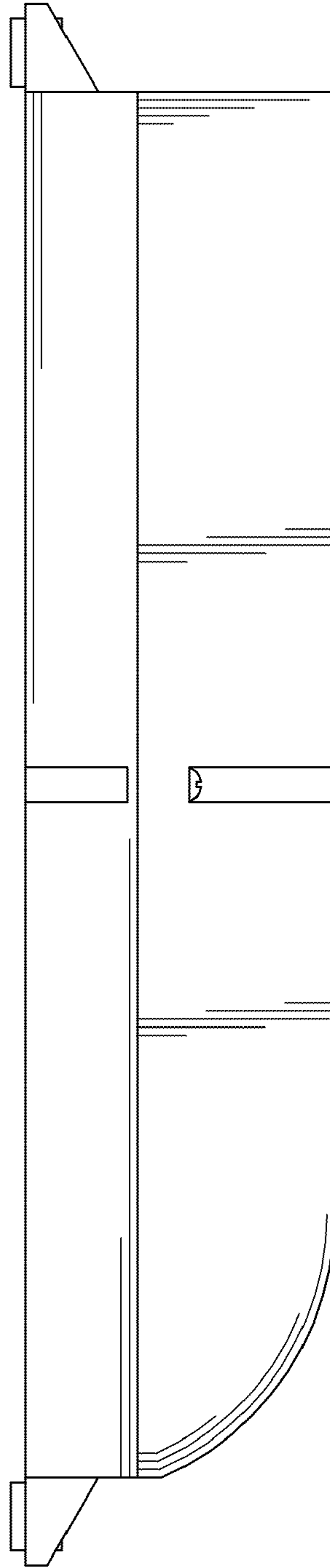


FIG. 4

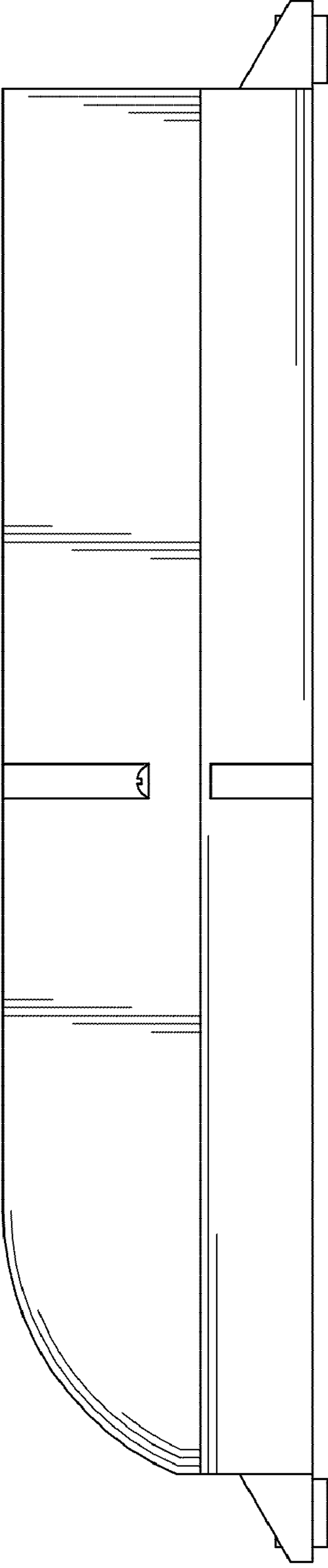


FIG. 5

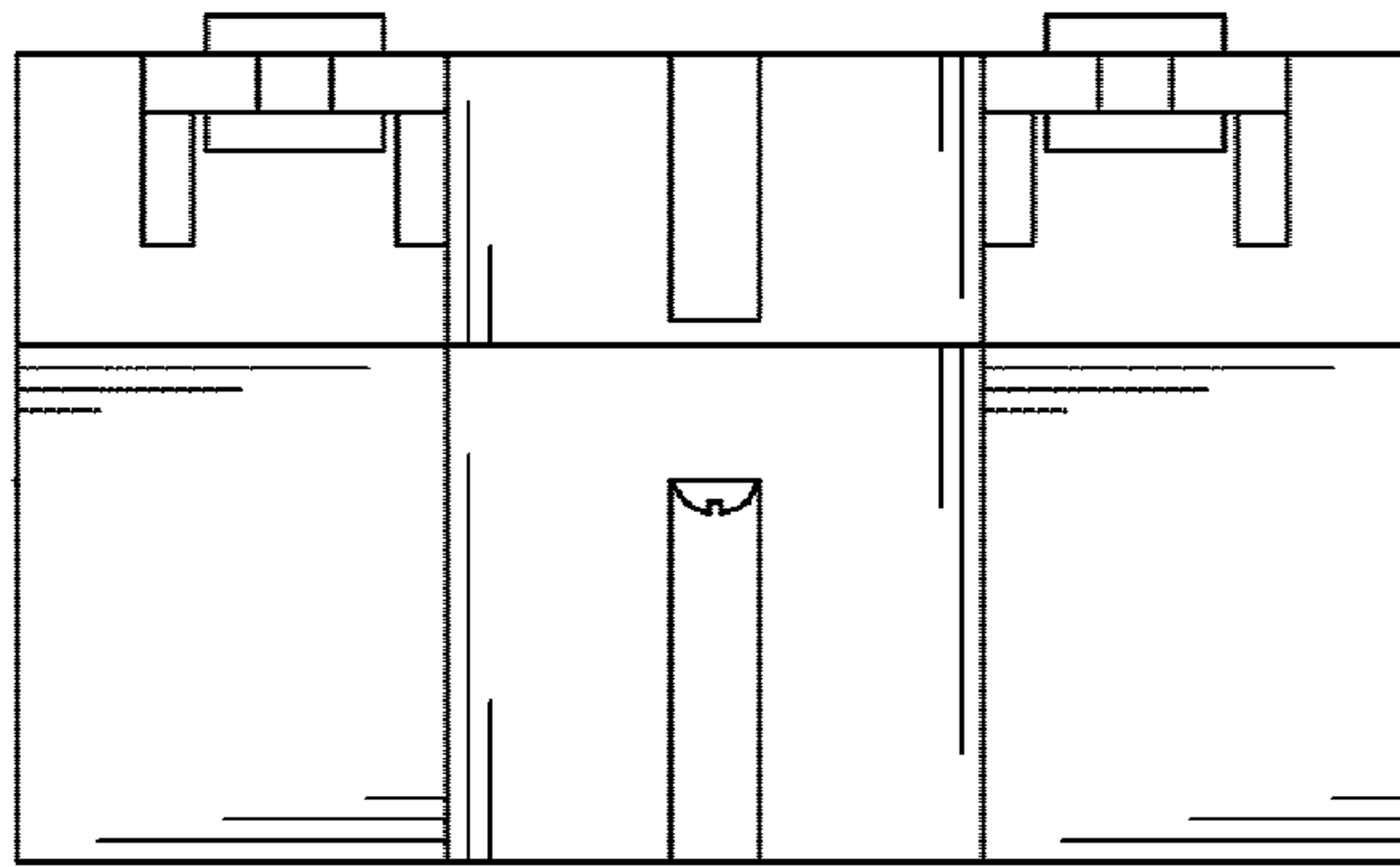


FIG. 6

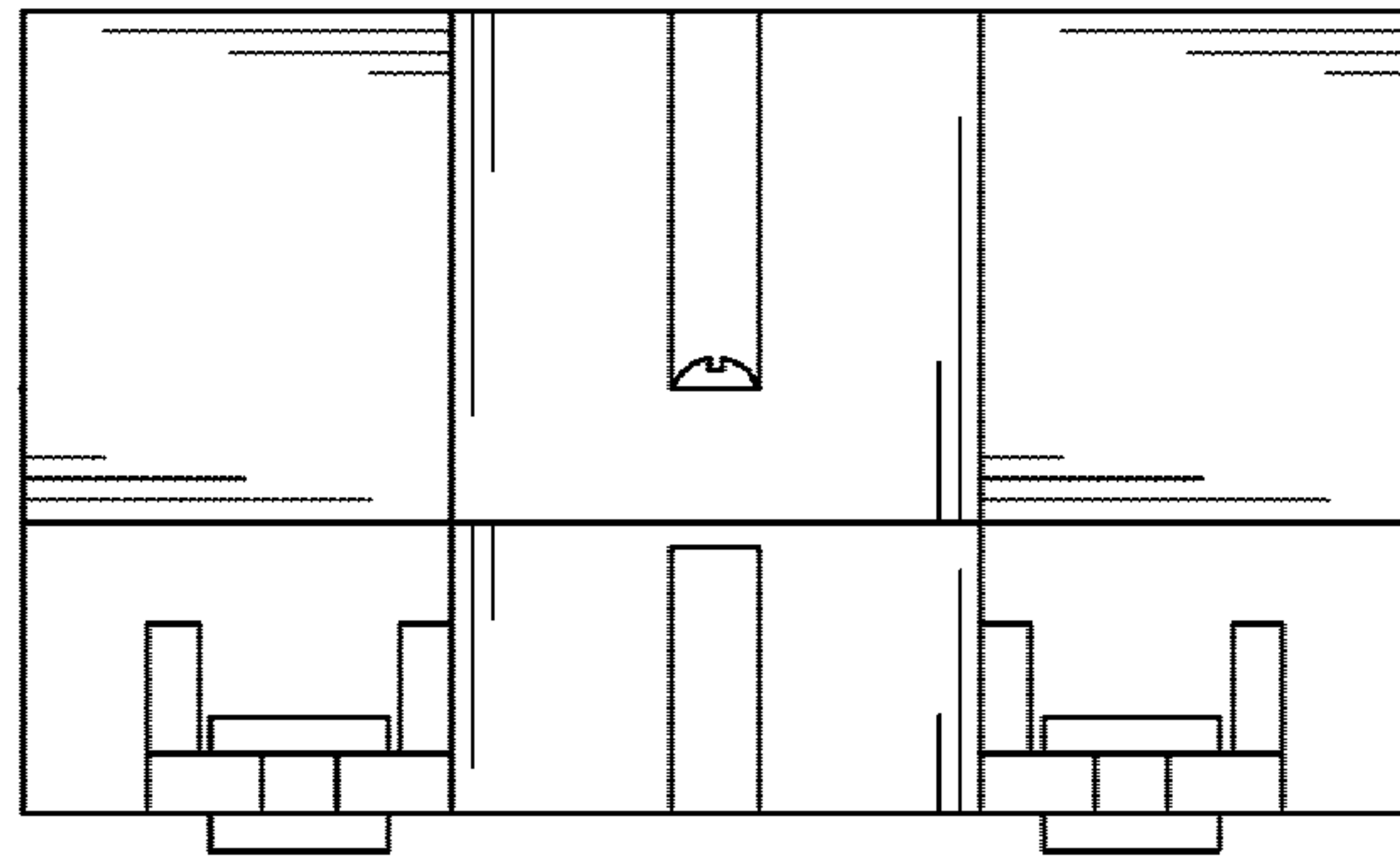


FIG. 7

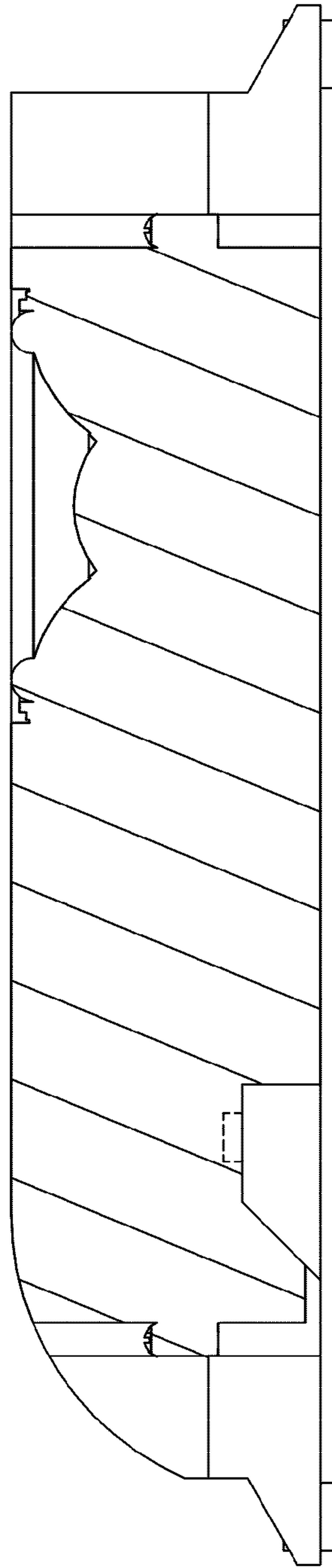


FIG. 8