



US00D647877S

(12) **United States Design Patent**
Son

(10) **Patent No.:** **US D647,877 S**

(45) **Date of Patent:** **** Nov. 1, 2011**

(54) **BLUETOOTH EARSET**

(75) **Inventor:** **Hyun-Keun Son, Seoul (KR)**

(73) **Assignee:** **Samsung Electronics Co., Ltd., Suwon-si (KR)**

(**) **Term:** **14 Years**

(21) **Appl. No.:** **29/383,262**

(22) **Filed:** **Jan. 14, 2011**

(30) **Foreign Application Priority Data**

Nov. 10, 2010 (KR) 30-2010-0048733

(51) **LOC (9) Cl.** **14-01**

(52) **U.S. Cl.** **D14/206**

(58) **Field of Classification Search** D14/205,
D14/206, 223, 192; 181/129, 130, 135; 379/430,
379/431; 381/380, 381, 328; 455/90.3, 575.2;
D24/174

See application file for complete search history.

(56) **References Cited**

U.S. PATENT DOCUMENTS

D179,150 S *	11/1956	Norris	D14/192
D469,081 S *	1/2003	Perszyk et al.	D14/205
D490,398 S *	5/2004	Gwee	D14/205
6,839,448 B2 *	1/2005	Chen	381/370
D512,984 S *	12/2005	Ham	D14/205
D518,473 S *	4/2006	Gwee	D14/205
D520,496 S *	5/2006	Gwee	D14/223
D521,492 S *	5/2006	Ham	D14/205

7,082,207 B2 *	7/2006	Rapps	381/381
D539,266 S *	3/2007	Bentley et al.	D14/205
D541,787 S *	5/2007	Ma	D14/205
D557,255 S *	12/2007	Shintani	D14/206
D571,784 S *	6/2008	Jensen et al.	D14/205
D572,234 S *	7/2008	Reda et al.	D14/205
D581,900 S *	12/2008	Caddes et al.	D14/206
D584,719 S *	1/2009	Brennwald	D14/223
D586,329 S *	2/2009	Birger	D14/205
D603,372 S *	11/2009	Bentley	D14/206
D612,834 S *	3/2010	Yang et al.	D14/206
D612,835 S *	3/2010	Yang et al.	D14/206
D612,840 S *	3/2010	Yang et al.	D14/223
D619,561 S *	7/2010	Yang	D14/205
7,841,446 B2 *	11/2010	Leong et al.	181/135
D630,186 S *	1/2011	Yang	D14/205

* cited by examiner

Primary Examiner — Paula Greene

(74) *Attorney, Agent, or Firm* — Jefferson IP Law, LLP

(57) **CLAIM**

The ornamental design for bluetooth earset, as shown and described.

DESCRIPTION

FIG. 1 is a perspective view of bluetooth earset, showing a new design;

FIG. 2 is a front elevational view thereof;

FIG. 3 is a rear elevational view thereof;

FIG. 4 is a left side elevational view thereof;

FIG. 5 is a right side elevational view thereof;

FIG. 6 is a top plan view thereof; and,

FIG. 7 is a bottom plan view thereof.

1 Claim, 7 Drawing Sheets

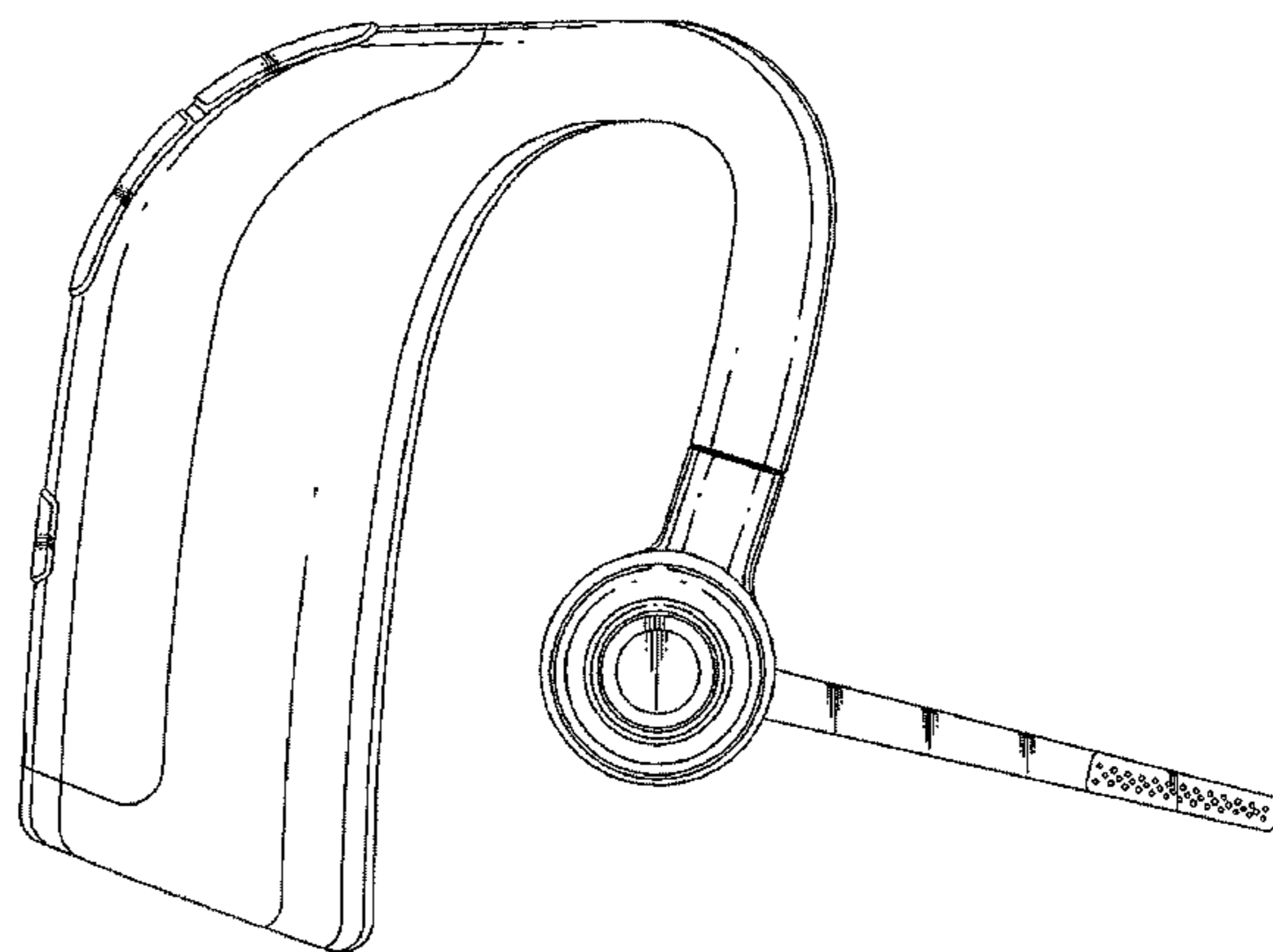
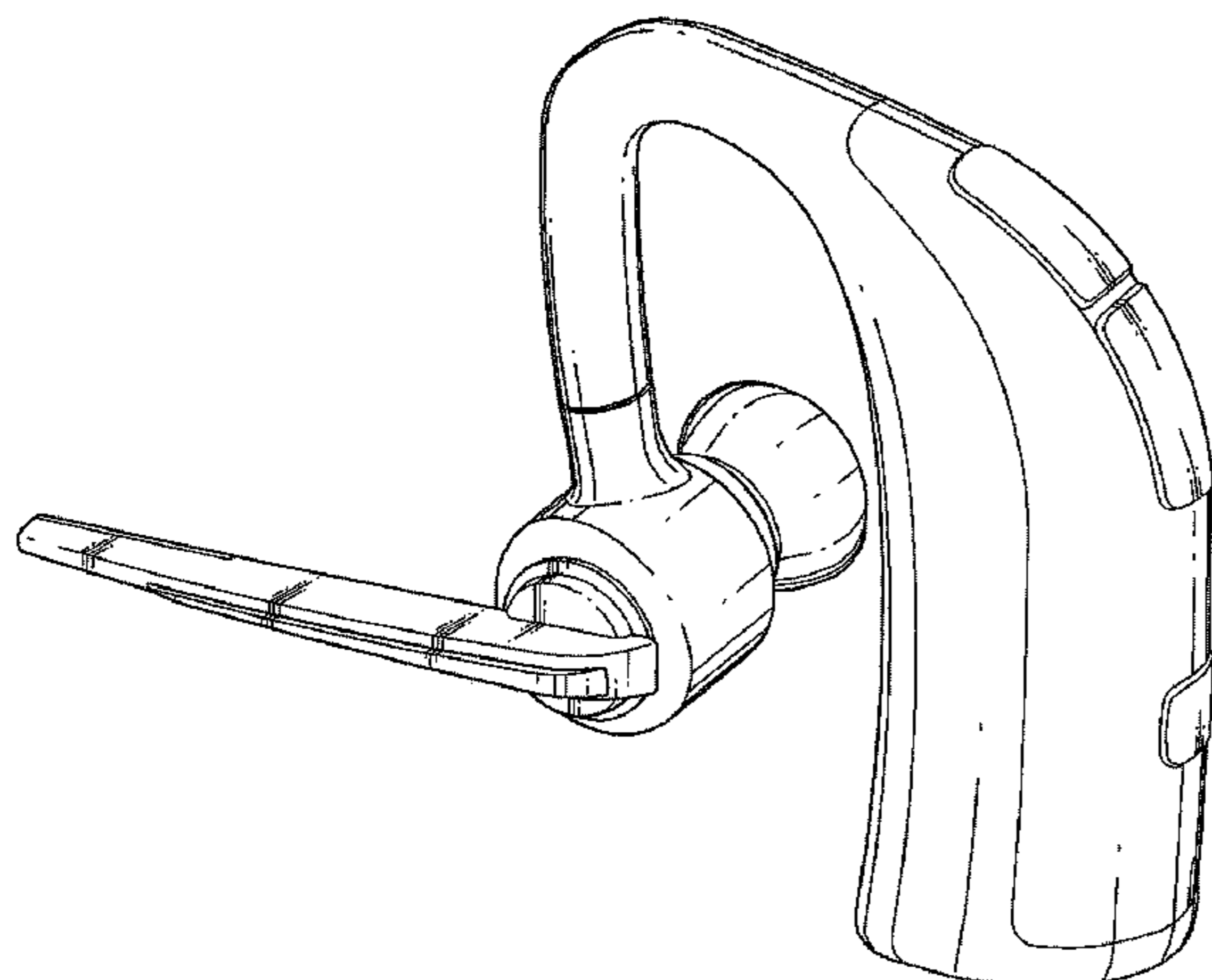


FIG. 1

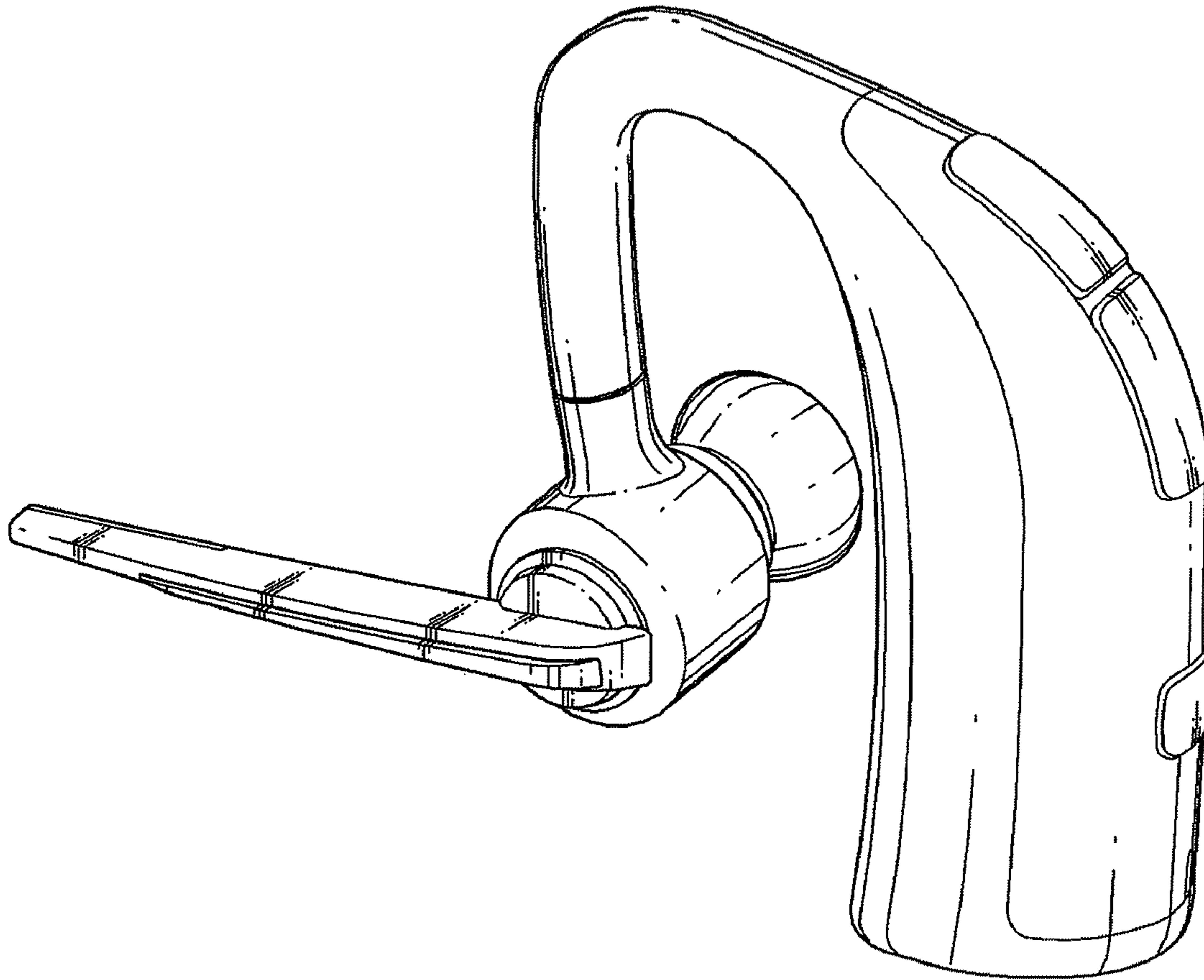


FIG. 2

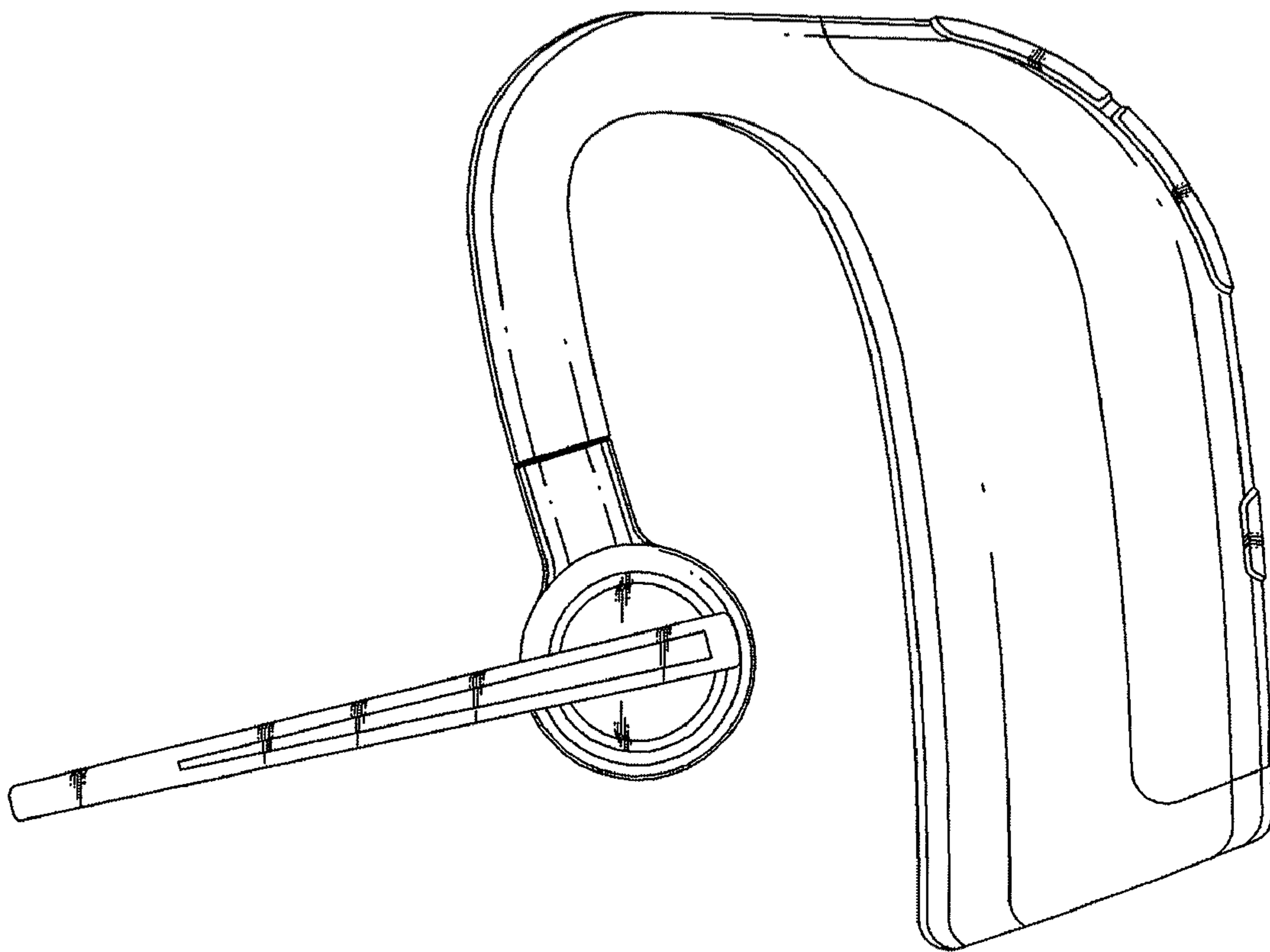


FIG. 3

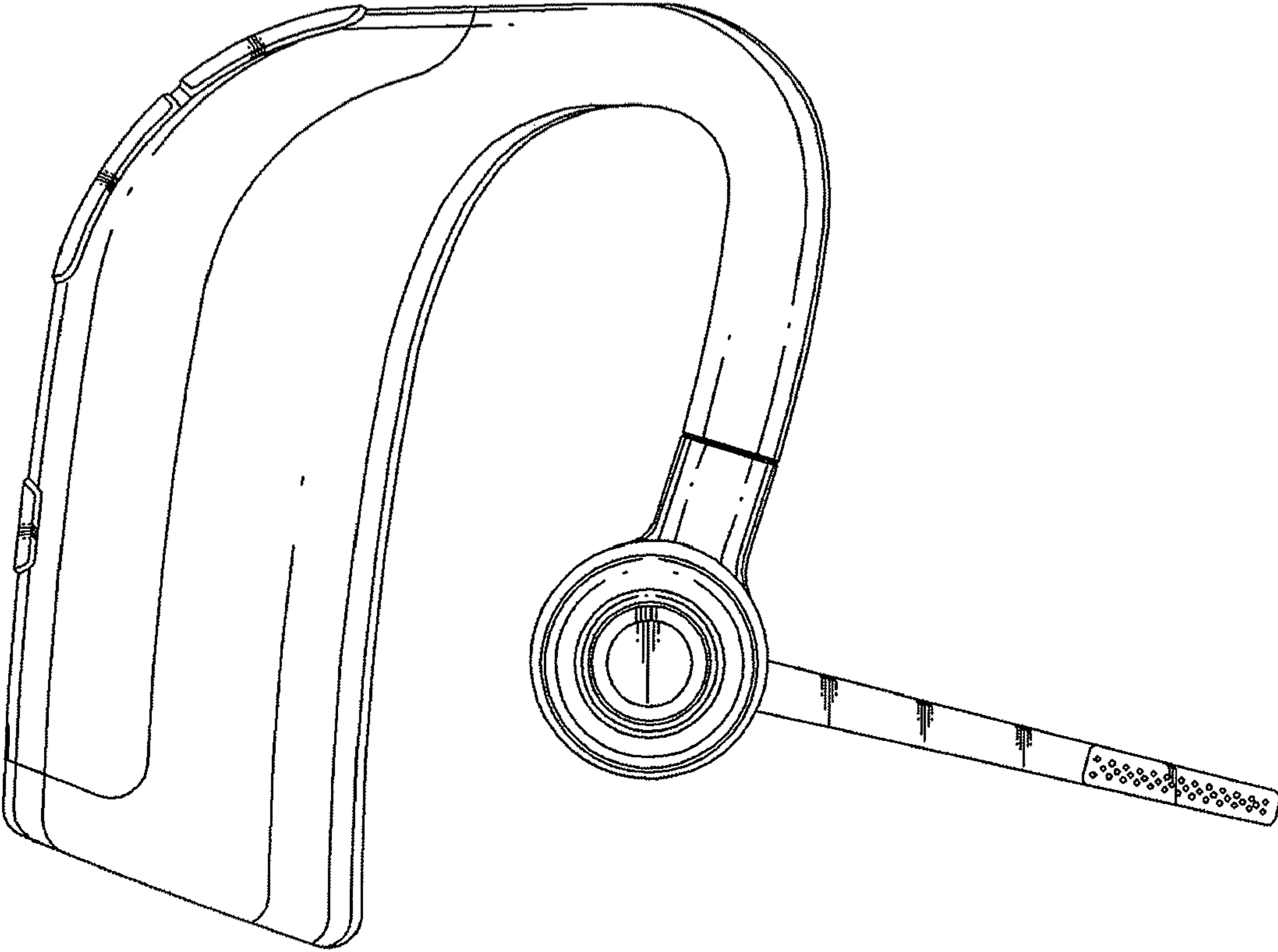


FIG. 4

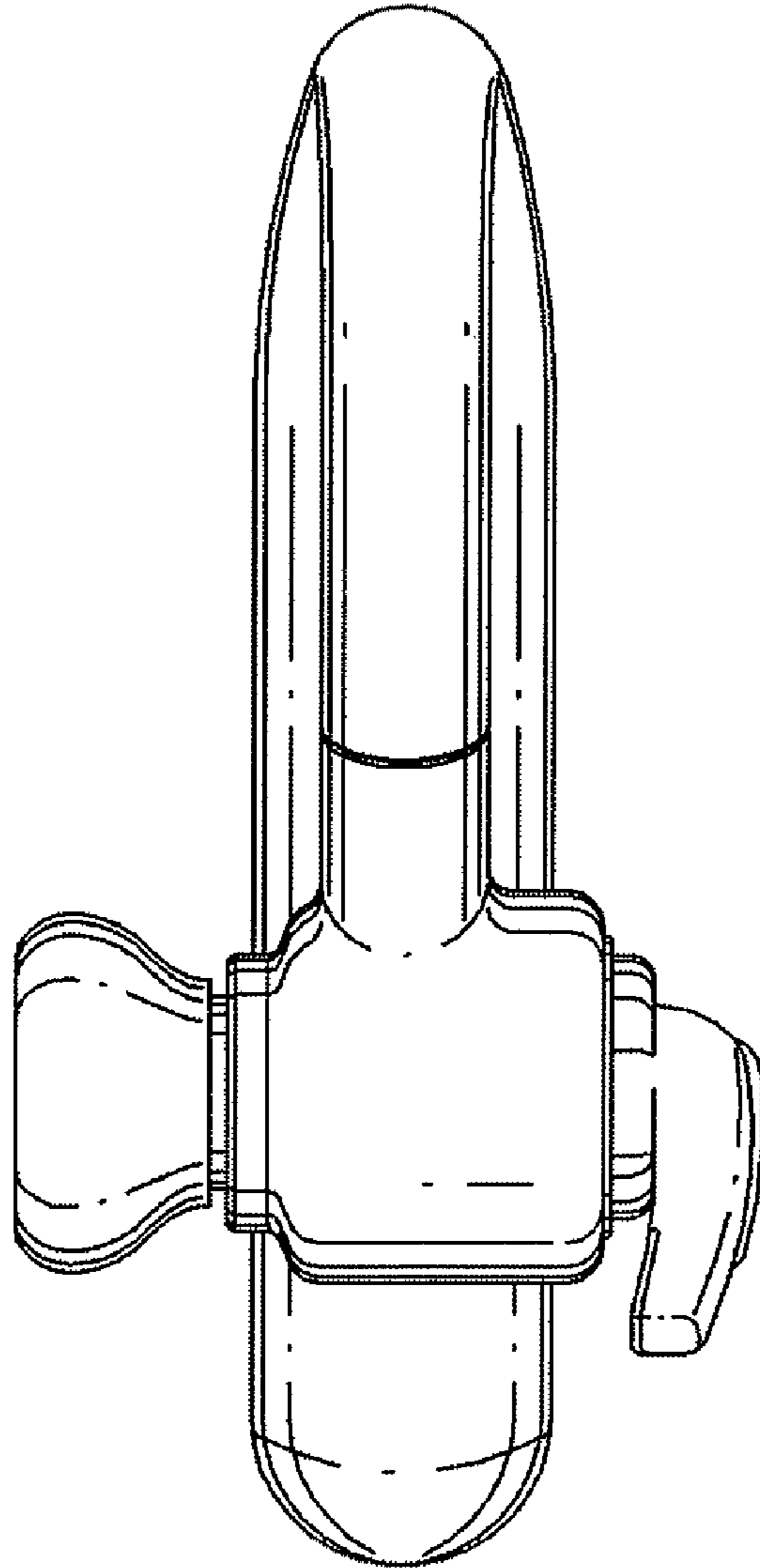


FIG. 5

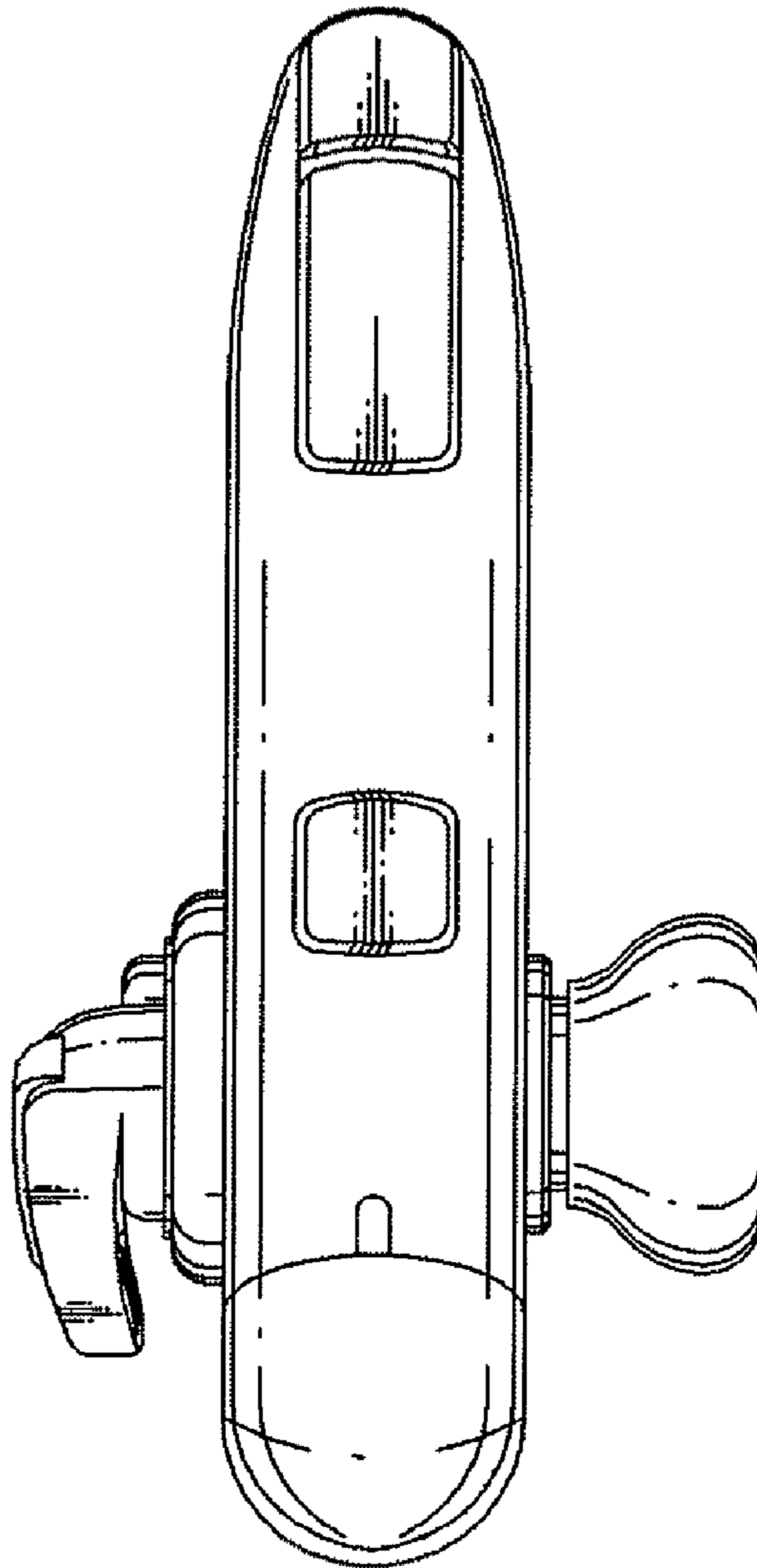


FIG. 6

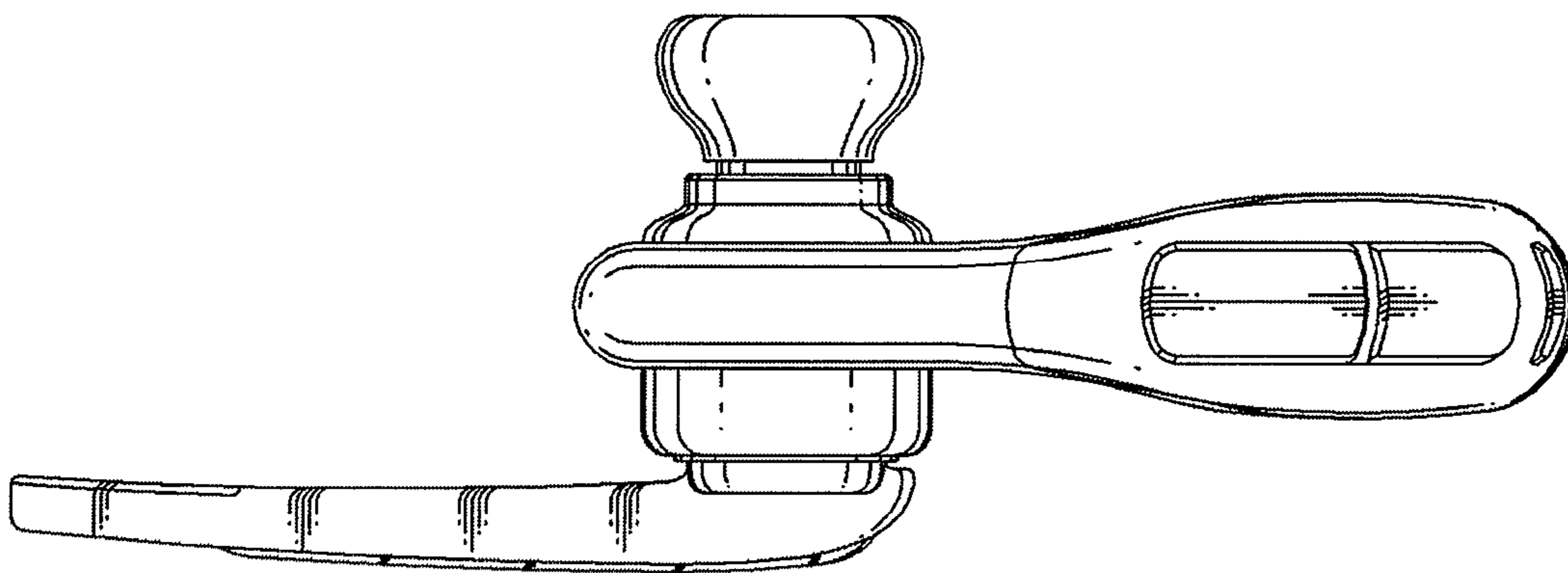


FIG. 7

