



US00D647874S

(12) **United States Design Patent**
Park

(10) **Patent No.:** **US D647,874 S**

(45) **Date of Patent:** **** Nov. 1, 2011**

(54) **MOBILE PHONE**

(75) Inventor: **Dae-Yoeb Park**, Gimpo-si (KR)

(73) Assignee: **Samsung Electronics Co., Ltd.**,
Suwon-Si (KR)

(**) Term: **14 Years**

(21) Appl. No.: **29/396,821**

(22) Filed: **Jul. 7, 2011**

(30) **Foreign Application Priority Data**

May 17, 2011 (KR) 30-2011-0019903

(51) **LOC (9) Cl.** **14-03**

(52) **U.S. Cl.** **D14/138 AB**

(58) **Field of Classification Search** D14/138 AB,
D14/138 AA, 496, 341, 345, 346, 203.3,
D14/203.4, 203.7, 138 AD, 138 R, 147, 218,
D14/137; 455/575.1, 556.2, 575.3, 575.4;
D21/517; 379/433.01, 433.04, 433.11, 433.12,
379/433.13

See application file for complete search history.

(56) **References Cited**

U.S. PATENT DOCUMENTS

D512,038 S *	11/2005	Kim et al.	D14/138 AB
D574,352 S *	8/2008	Cha et al.	D14/138 AB
D578,978 S *	10/2008	Kim et al.	D14/138 AB
D582,381 S *	12/2008	Hong et al.	D14/138 AB
D582,879 S *	12/2008	Chung et al.	D14/138 AB
D583,347 S *	12/2008	Kim et al.	D14/138 AB
D586,324 S *	2/2009	Lee et al.	D14/138 AB
D587,673 S *	3/2009	Kim et al.	D14/138 AB
D588,572 S *	3/2009	Park et al.	D14/138 AB
D597,998 S *	8/2009	Song et al.	D14/138 AB
D598,418 S *	8/2009	Kang	D14/138 AB
D599,765 S *	9/2009	Park et al.	D14/138 AB
D601,996 S *	10/2009	Jeoung et al.	D14/138 AB
D601,997 S *	10/2009	Kim et al.	D14/138 AB
D603,825 S *	11/2009	Jeoung et al.	D14/138 AB
D607,857 S *	1/2010	Kim et al.	D14/138 AB
D613,714 S *	4/2010	Park et al.	D14/138 AB

D615,064 S *	5/2010	Kim et al.	D14/138 AB
D615,065 S *	5/2010	Kim et al.	D14/138 AB
D631,452 S *	1/2011	Kim et al.	D14/138 AB
D635,542 S *	4/2011	Park et al.	D14/138 AB

OTHER PUBLICATIONS

Samsung T139 telephone, announced Nov. 2009, [online], [site visited Aug. 10, 2011]. Available from Internet, <URL: <http://www.gsmarena.com>>.*

Samsung M260 Factor telephone, announced Mar. 2011, [online], [site visited Aug. 10, 2011]. Available from Internet, <URL: <http://www.gsmarena.com>>.*

Samsung E1190 telephone, announced Jul. 2011, [online], [site visited Aug. 10, 2011]. Available from Internet, <URL: <http://www.gsmarena.com>>.*

Samsung C414 telephone, announced Jun. 2011, [online], [site visited Aug. 10, 2011]. Available from Internet, <URL: <http://www.gsmarena.com>>.*

Pantech Breeze III telephone, announced Jul. 2011, [online], [site visited Aug. 10, 2011]. Available from Internet, <URL: <http://www.gsmarena.com>>.*

(Continued)

Primary Examiner — Jeffrey D Asch

(74) *Attorney, Agent, or Firm* — Staas & Halsey LLP

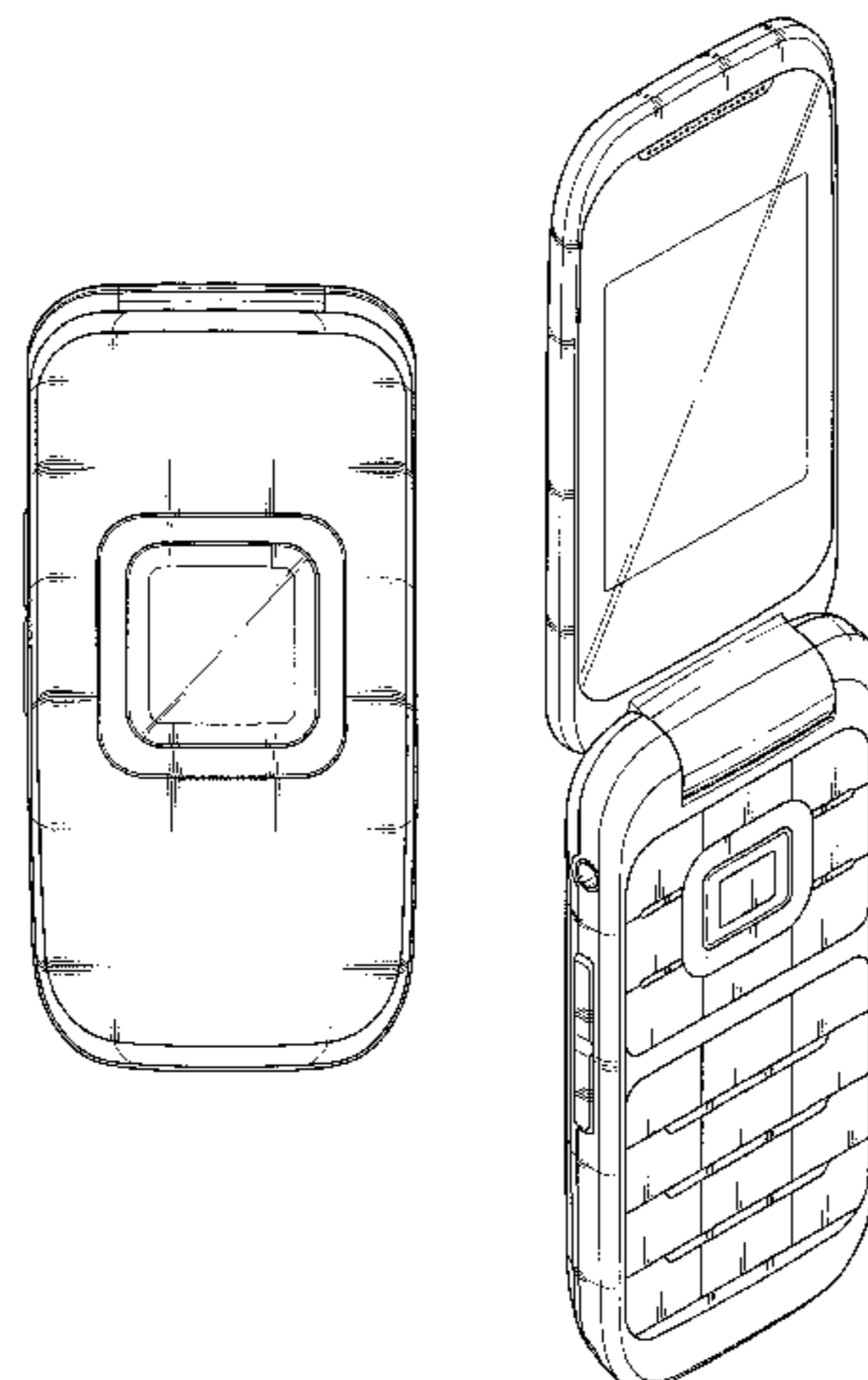
(57) **CLAIM**

The ornamental design for a mobile phone, as shown and described.

DESCRIPTION

FIG. 1 is a front perspective view of a mobile phone; FIG. 2 is a front view of the mobile phone of FIG. 1; FIG. 3 is a rear view of the mobile phone of FIG. 1; FIG. 4 is a left-side view of the mobile phone of FIG. 1; FIG. 5 is a right-side view of the mobile phone of FIG. 1; FIG. 6 is a top plan view of the mobile phone of FIG. 1; FIG. 7 is a bottom plan view of the mobile phone of FIG. 1; and, FIG. 8 is an open front perspective view of the mobile phone of FIG. 1.

1 Claim, 8 Drawing Sheets



OTHER PUBLICATIONS

LG MG295 telephone, announced Jan. 2008, [online], [site visited Aug. 10, 2011]. Available from Internet, <URL: <http://www.gsmarena.com>>.*

LG U8210 telephone, announced 1q/2005, [online], [site visited Aug. 10, 2011]. Available from Internet, <URL: <http://www.gsmarena.com>>.*

* cited by examiner

FIG. 1

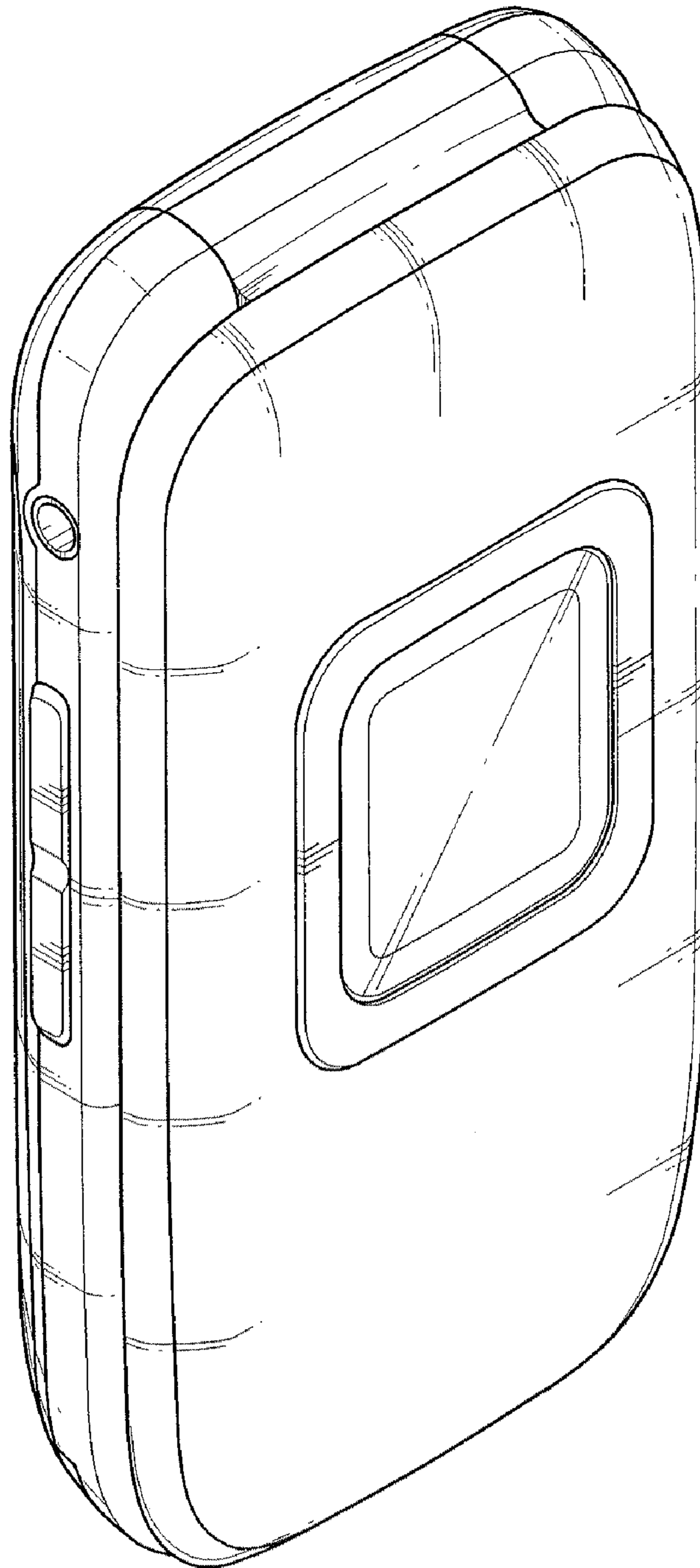


FIG. 2

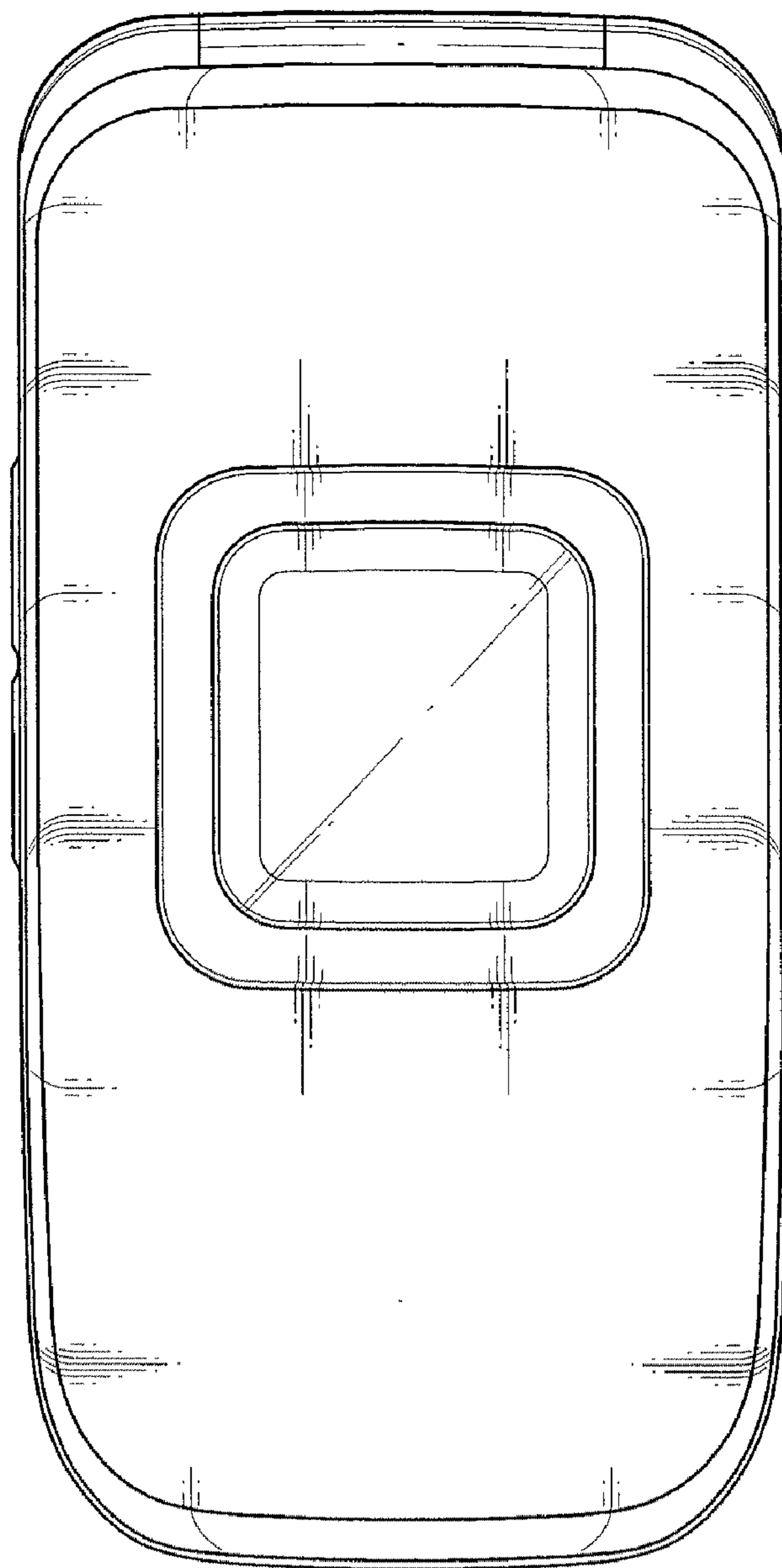


FIG. 3

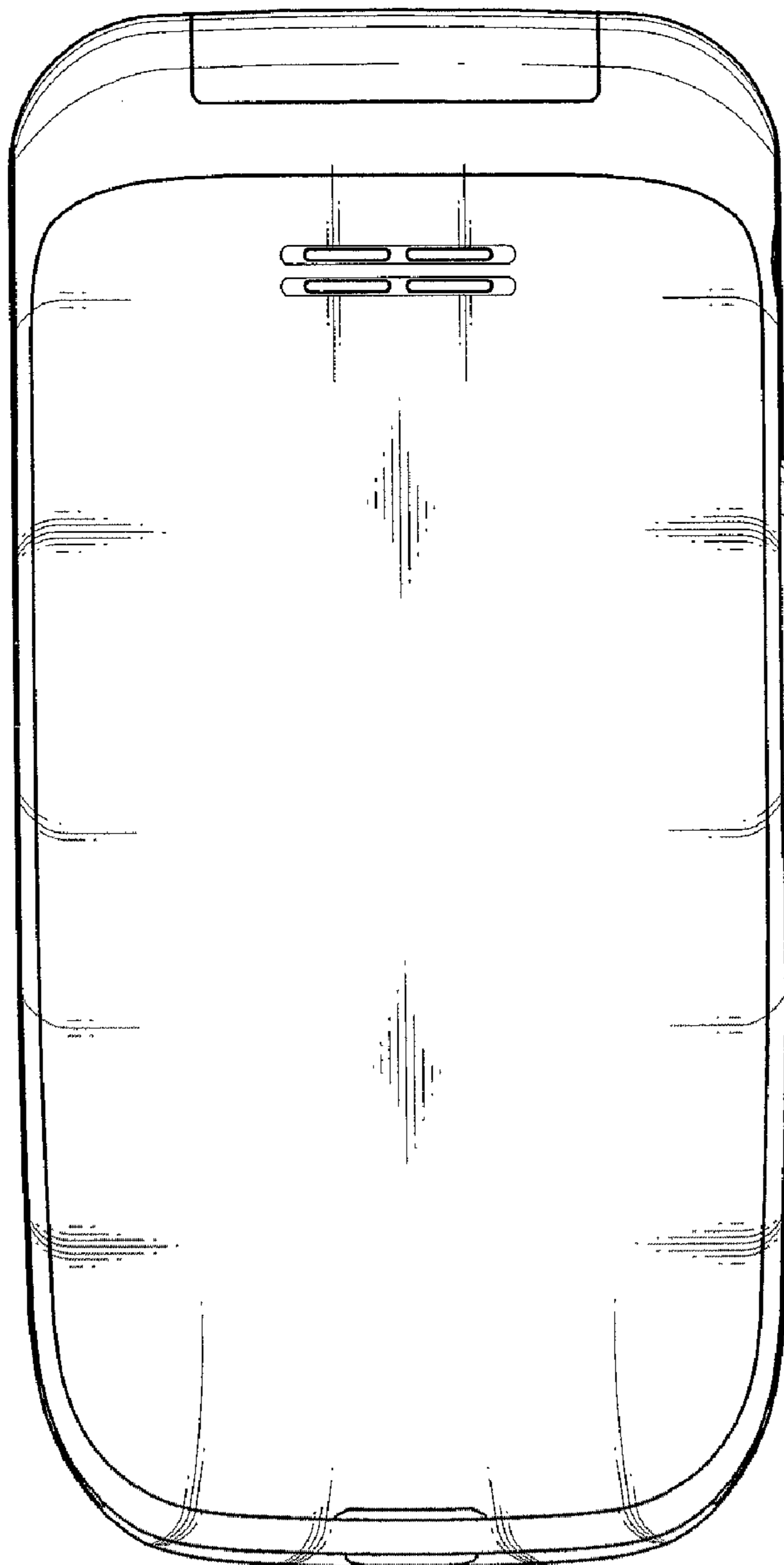


FIG. 4

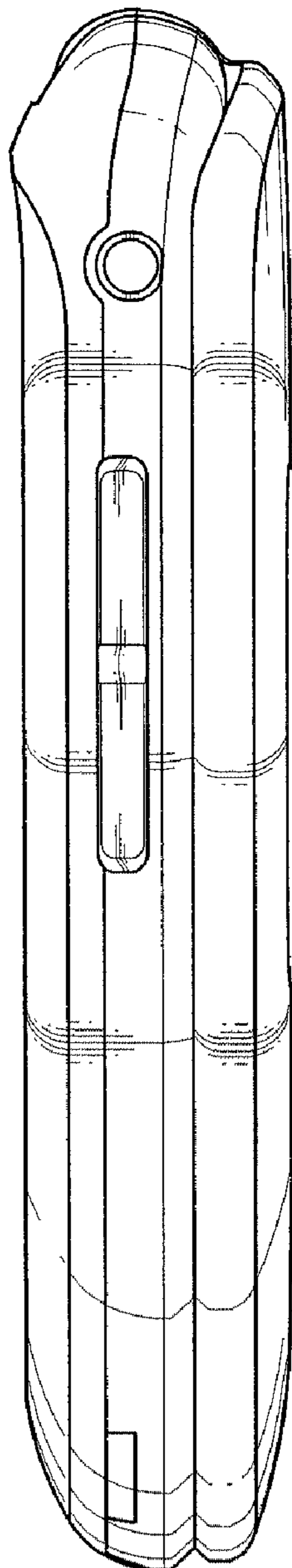


FIG. 5

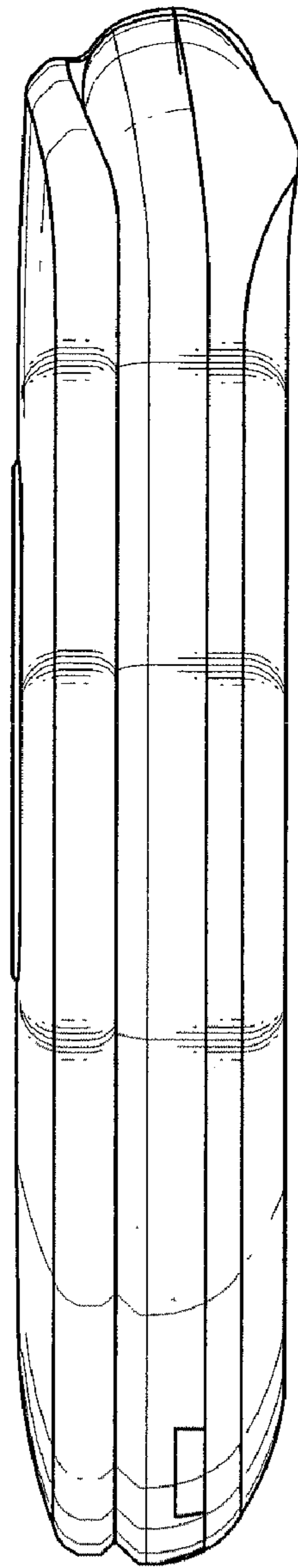


FIG. 6

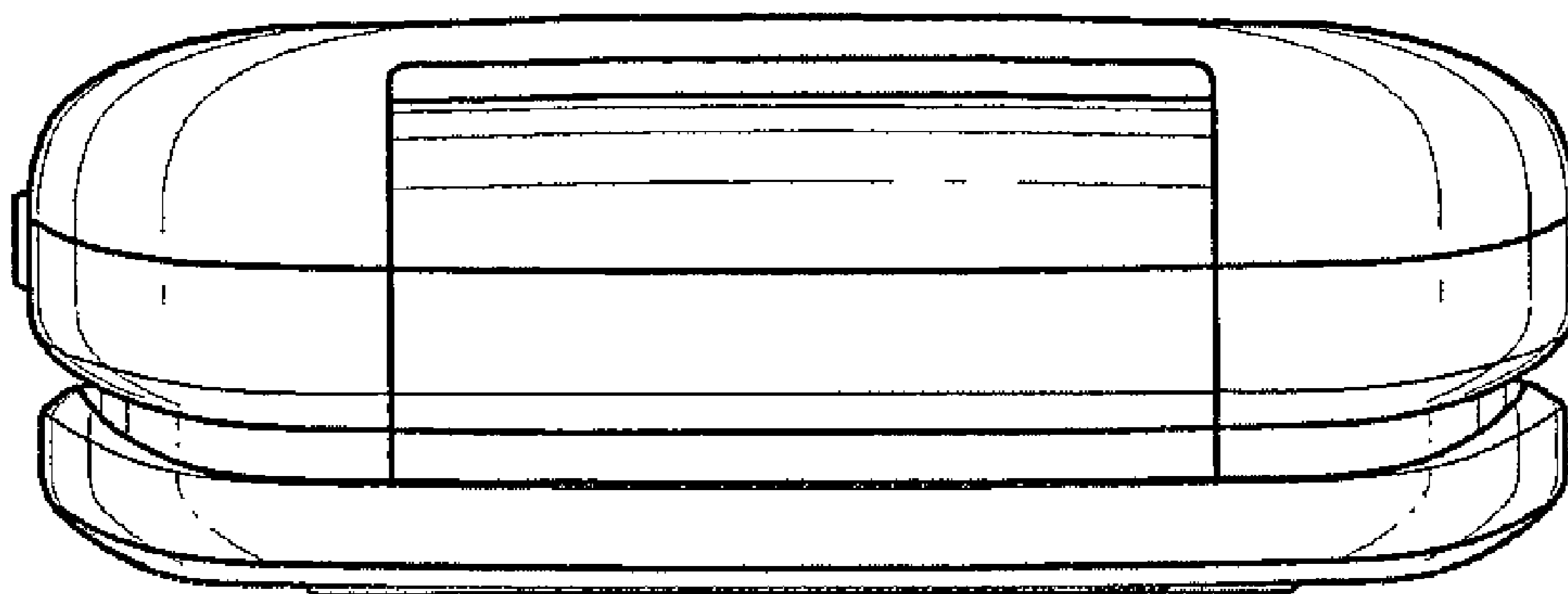


FIG. 7

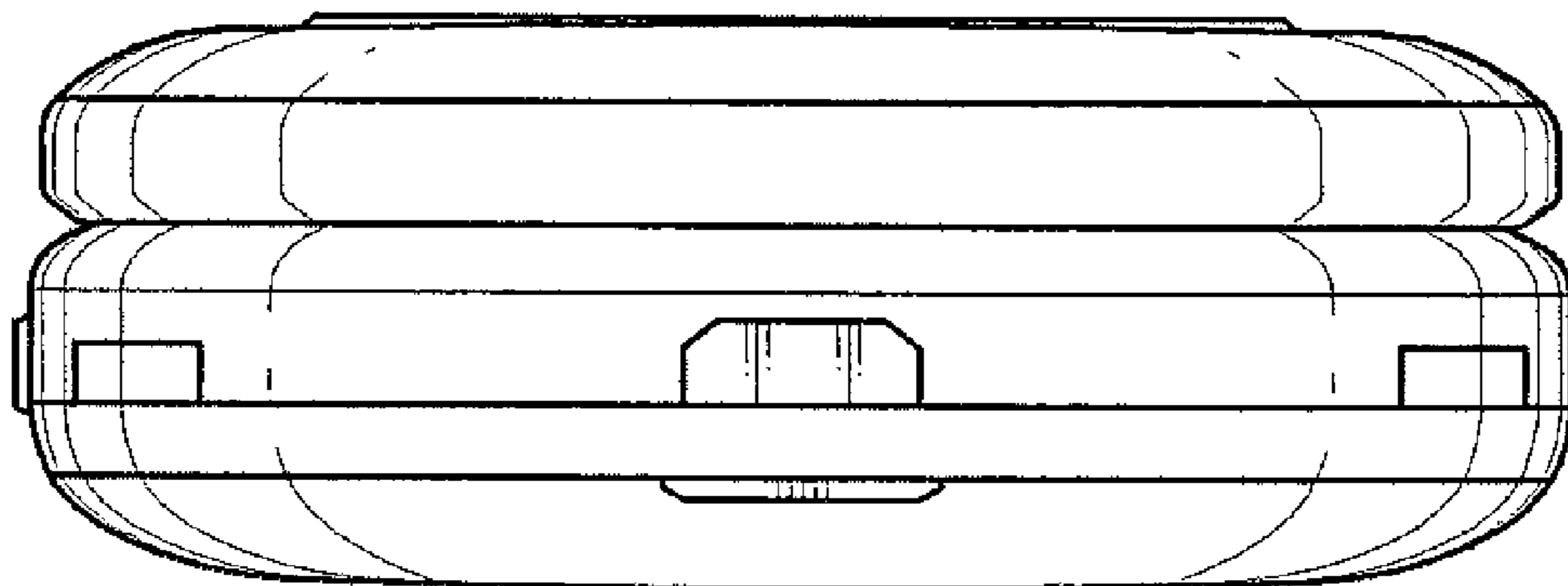


FIG. 8

